



US00D852424S

(12) **United States Design Patent**
Callabe

(10) **Patent No.:** **US D852,424 S**

(45) **Date of Patent:** **** Jun. 25, 2019**

- (54) **MOUTH GUARD**
- (71) Applicant: **Pierre-Antoine Callabe**, Walnut, CA (US)
- (72) Inventor: **Pierre-Antoine Callabe**, Walnut, CA (US)
- (**) Term: **15 Years**
- (21) Appl. No.: **29/625,322**
- (22) Filed: **Nov. 8, 2017**
- (51) **LOC (11) Cl.** **29-02**
- (52) **U.S. Cl.**
USPC **D29/108**
- (58) **Field of Classification Search**
USPC D29/100, 105, 106, 108, 122; D24/108, D24/109, 110, 110.5, 156, 176, 181
CPC . A61F 5/566; A61F 5/58; A63B 71/08; A63B 71/081; A63B 71/085; A63B 2071/085; A63B 2071/088; A61C 7/10; A61C 13/08; A61C 13/081; A61C 13/083; A61C 13/087; A61C 19/066; A61C 5/14; A61B 13/00; A61B 13/24
See application file for complete search history.

(56) **References Cited**

U.S. PATENT DOCUMENTS

1,674,336	A *	6/1928	King	A61F 5/566	128/848
2,521,039	A *	9/1950	Carpenter	A63B 71/085	128/861
2,590,118	A *	3/1952	Oddo, Jr.	A63B 71/085	128/861
2,966,908	A *	1/1961	Cathcart	A63B 71/085	128/861
3,207,153	A *	9/1965	Goldstein	A63B 71/085	128/862
3,223,085	A *	12/1965	Gores	A63B 71/085	128/861

3,236,235	A *	2/1966	Jacobs	A63B 71/085	128/862
3,312,218	A *	4/1967	Jacobs	A63B 71/085	128/862
3,457,916	A *	7/1969	Wolicki	A63B 71/085	128/862
3,496,936	A *	2/1970	Gores	A63B 71/085	128/861
4,568,280	A *	2/1986	Ahlin	A61F 5/566	433/6
4,955,393	A *	9/1990	Adell	A63B 71/085	128/859
D493,578	S *	7/2004	Manzo	D29/108	
D500,895	S *	1/2005	Manzo	D29/108	
D523,994	S *	6/2006	Manzo	D29/108	
D525,749	S *	7/2006	Manzo	D29/108	

(Continued)

Primary Examiner — Elizabeth J Oswecki

(74) *Attorney, Agent, or Firm* — QuickPatents, LLC; Kevin Prince

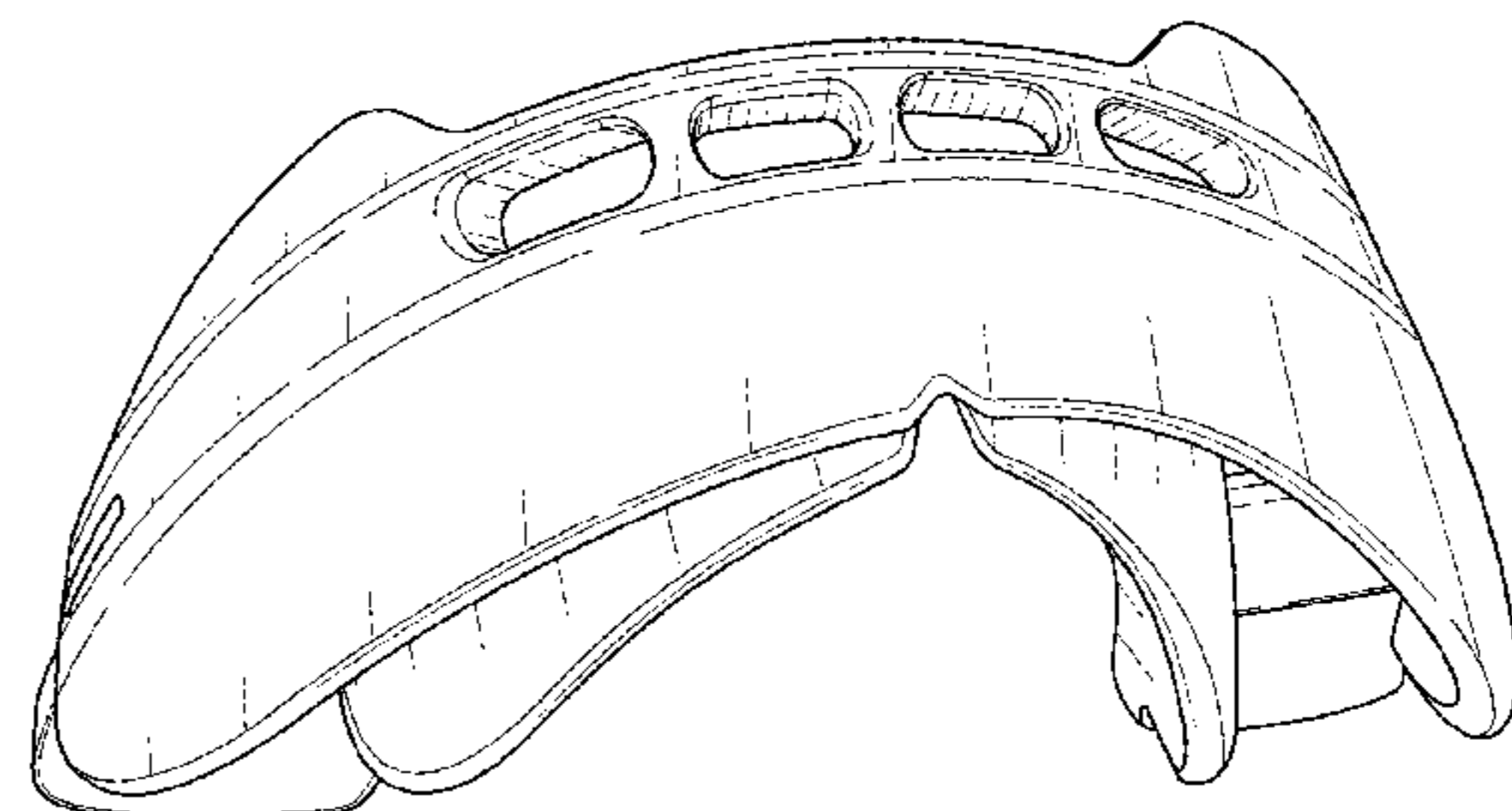
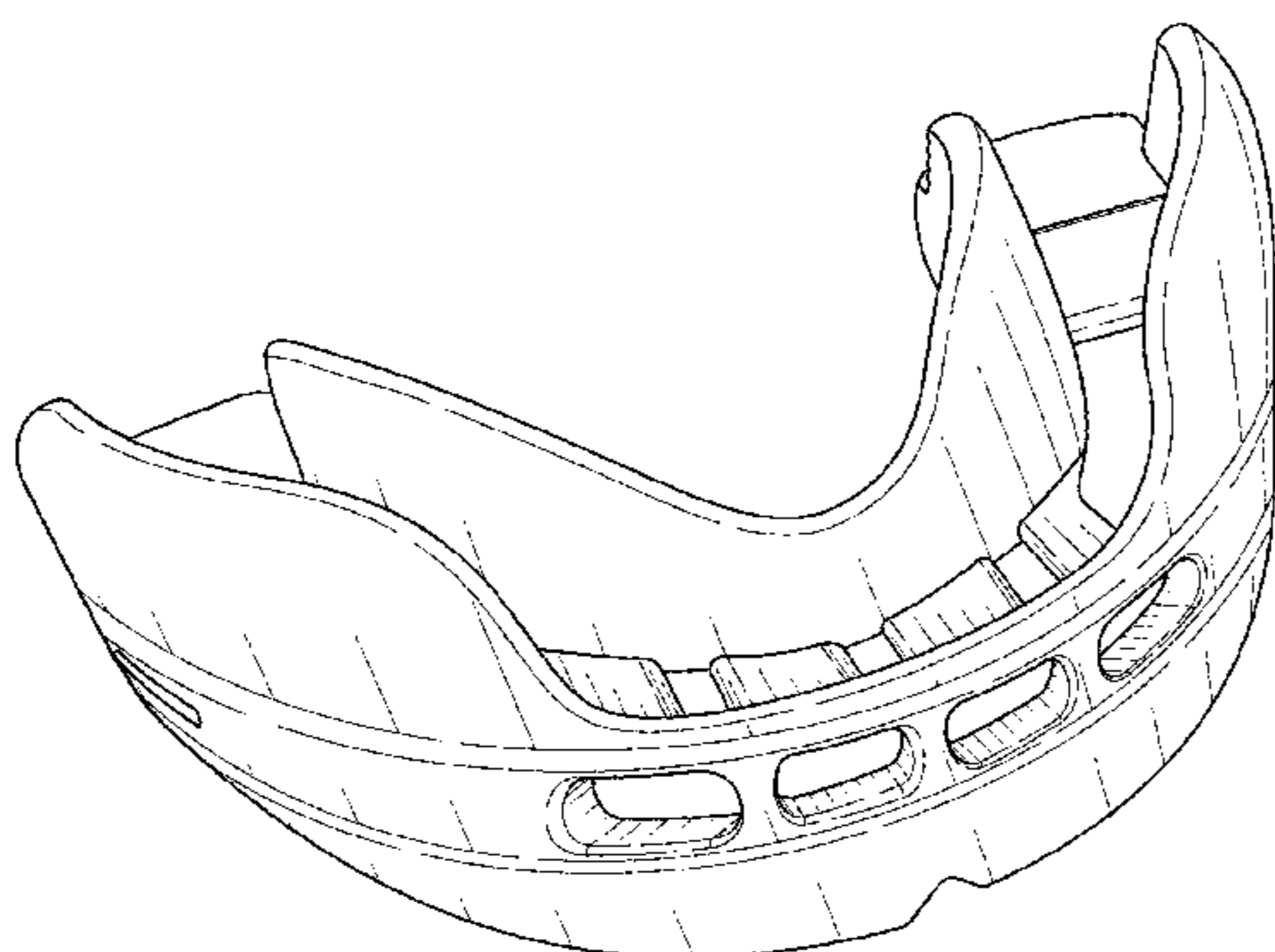
(57) **CLAIM**

The ornamental design for a mouth guard, as shown and described.

DESCRIPTION

FIG. 1 is a front elevational view of a mouth guard, shown in a used condition with a person shown in broken lines showing my new design;
 FIG. 2 is a top perspective view thereof;
 FIG. 3 is a bottom perspective view thereof;
 FIG. 4 is a front elevational view thereof;
 FIG. 5 is a rear elevational view thereof;
 FIG. 6 is a right-side elevational view thereof, the left-side elevational view being a mirror image thereof;
 FIG. 7 is a top plan view thereof; and,
 FIG. 8 is a bottom plan view thereof.
 The broken lines showing a person in FIG. 1 depict environmental matter and form no part of the claimed design.

1 Claim, 4 Drawing Sheets



(56)

References Cited

U.S. PATENT DOCUMENTS

D526,095 S *	8/2006	Manzo	D29/108	8,496,009 B2 *	7/2013	Manzo	A63B 71/085
D537,987 S *	3/2007	Manzo	D29/108					128/859
7,404,403 B2 *	7/2008	Farrell	A63B 71/085	D727,571 S *	4/2015	Brett	D29/108
				128/859	D743,107 S *	11/2015	Hirshberg	D29/108
D611,658 S *	3/2010	Manzo	D29/108	D743,108 S *	11/2015	Charlton	D29/108
D615,709 S *	5/2010	Manzo	D29/108	D752,295 S *	3/2016	Lovat	D29/108
D616,152 S *	5/2010	Manzo	D29/108	D765,919 S *	9/2016	Croll	D29/108
D618,399 S *	6/2010	Manzo	D29/108	D771,876 S *	11/2016	Hazard	D29/108
D623,357 S *	9/2010	Manzo	D29/108	D782,743 S *	3/2017	Engel	D29/108
D626,292 S *	10/2010	Farrell	D29/108	D795,501 S *	8/2017	Levine	D29/108
D627,107 S *	11/2010	Manzo	D29/108	D797,379 S *	9/2017	Patel	D29/108
D630,382 S *	1/2011	Manzo	D29/108	D830,640 S *	10/2018	Supple	D29/108
D634,480 S *	3/2011	Manzo	D29/108	2003/0019497 A1 *	1/2003	Farrell	A61C 7/08
D642,277 S *	7/2011	Farrell	D24/181					128/861
D648,900 S *	11/2011	Manzo	D29/108	2006/0084024 A1 *	4/2006	Farrell	A61C 7/08
D652,575 S *	1/2012	Farrell	D29/108					433/6
D652,576 S *	1/2012	Farrell	D29/108	2007/0254256 A1 *	11/2007	Farrell	A61C 7/08
D654,595 S *	2/2012	Farrell	D24/181					433/6
D657,916 S *	4/2012	Pelerin	D29/108	2010/0051038 A1 *	3/2010	Quigless	A63B 71/085
D682,480 S *	5/2013	Hazard	D29/108					128/861
					2010/0196837 A1 *	8/2010	Farrell	A61C 7/08
									433/6

* cited by examiner

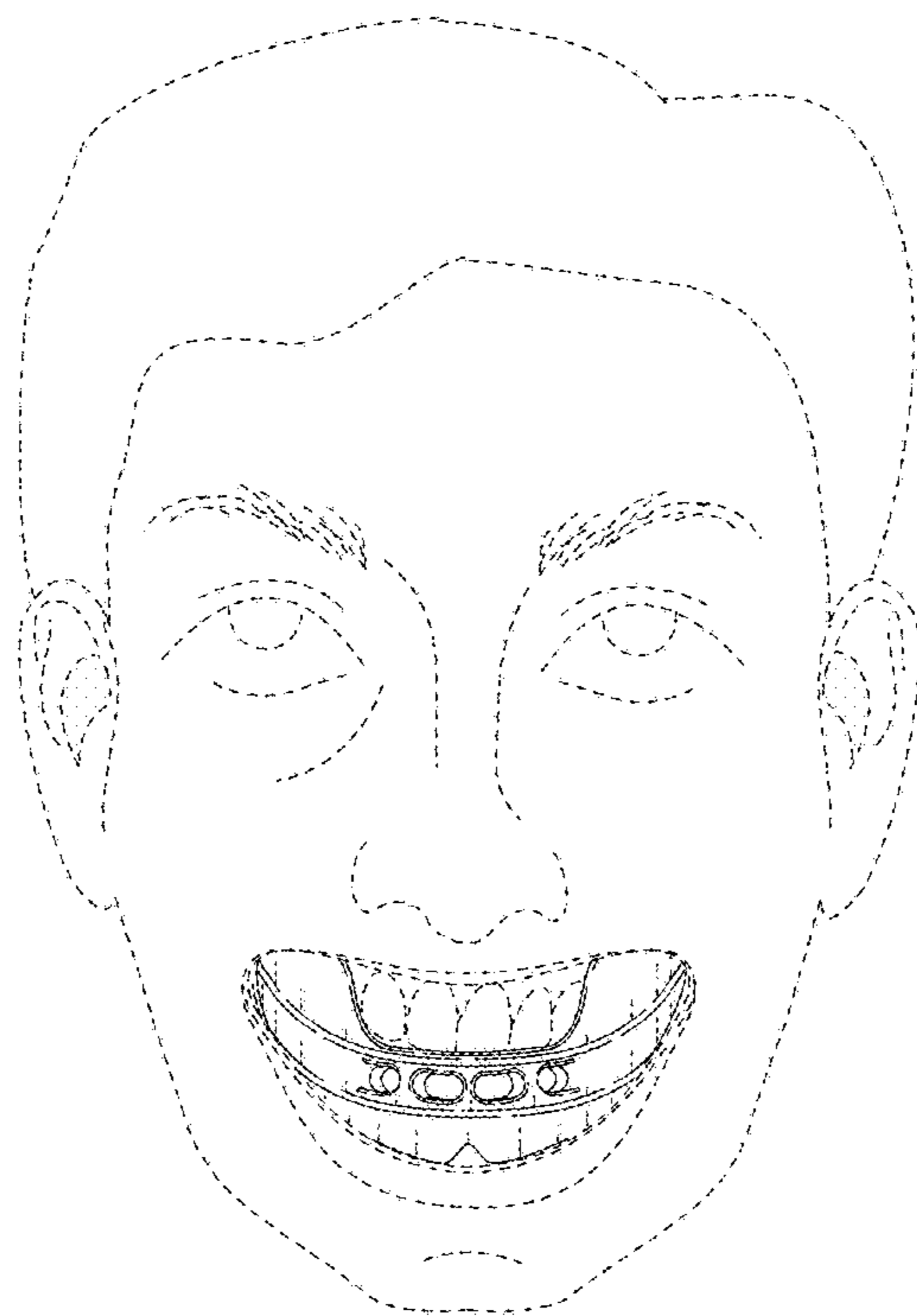


FIG. 1

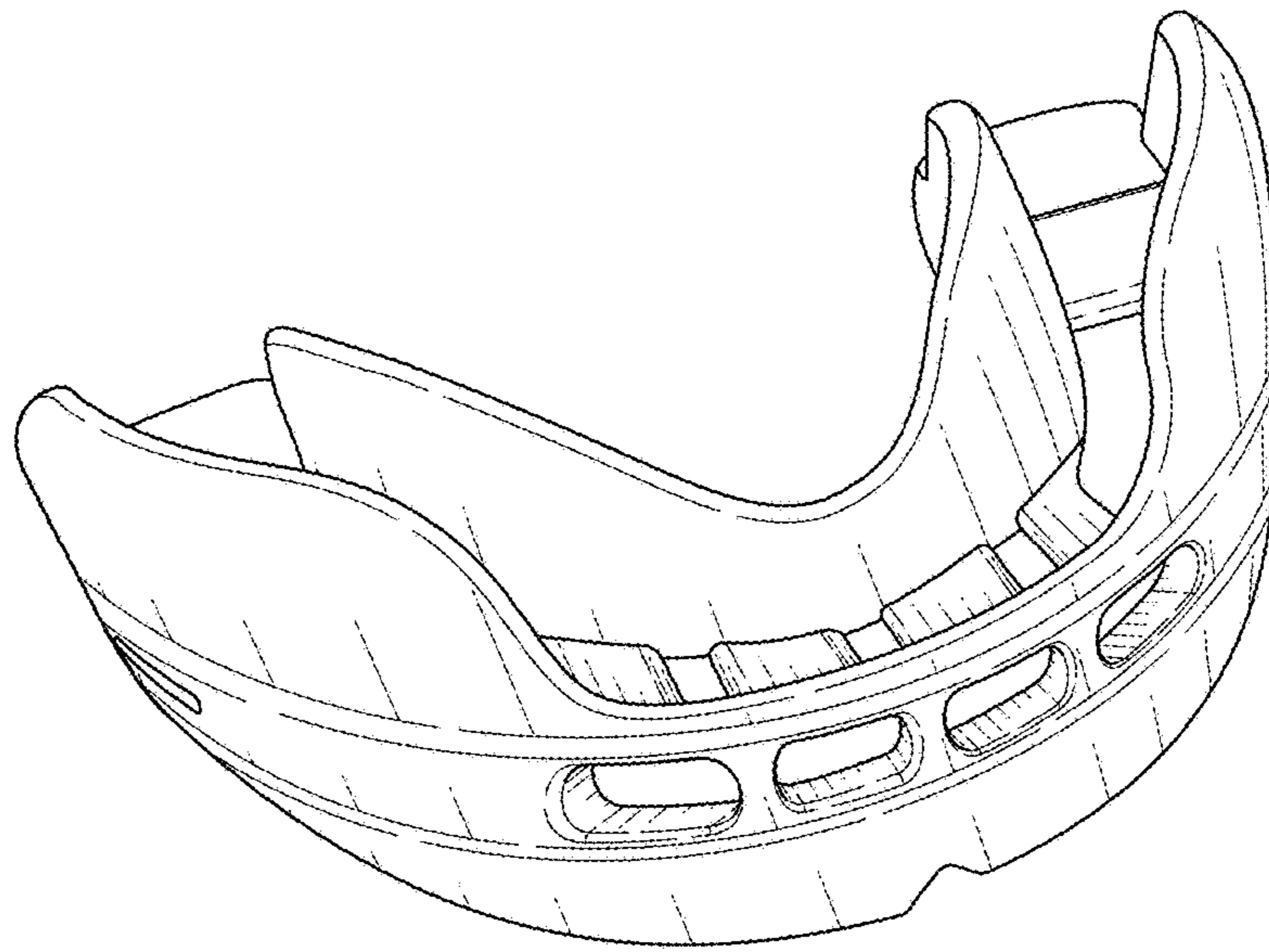


FIG. 2

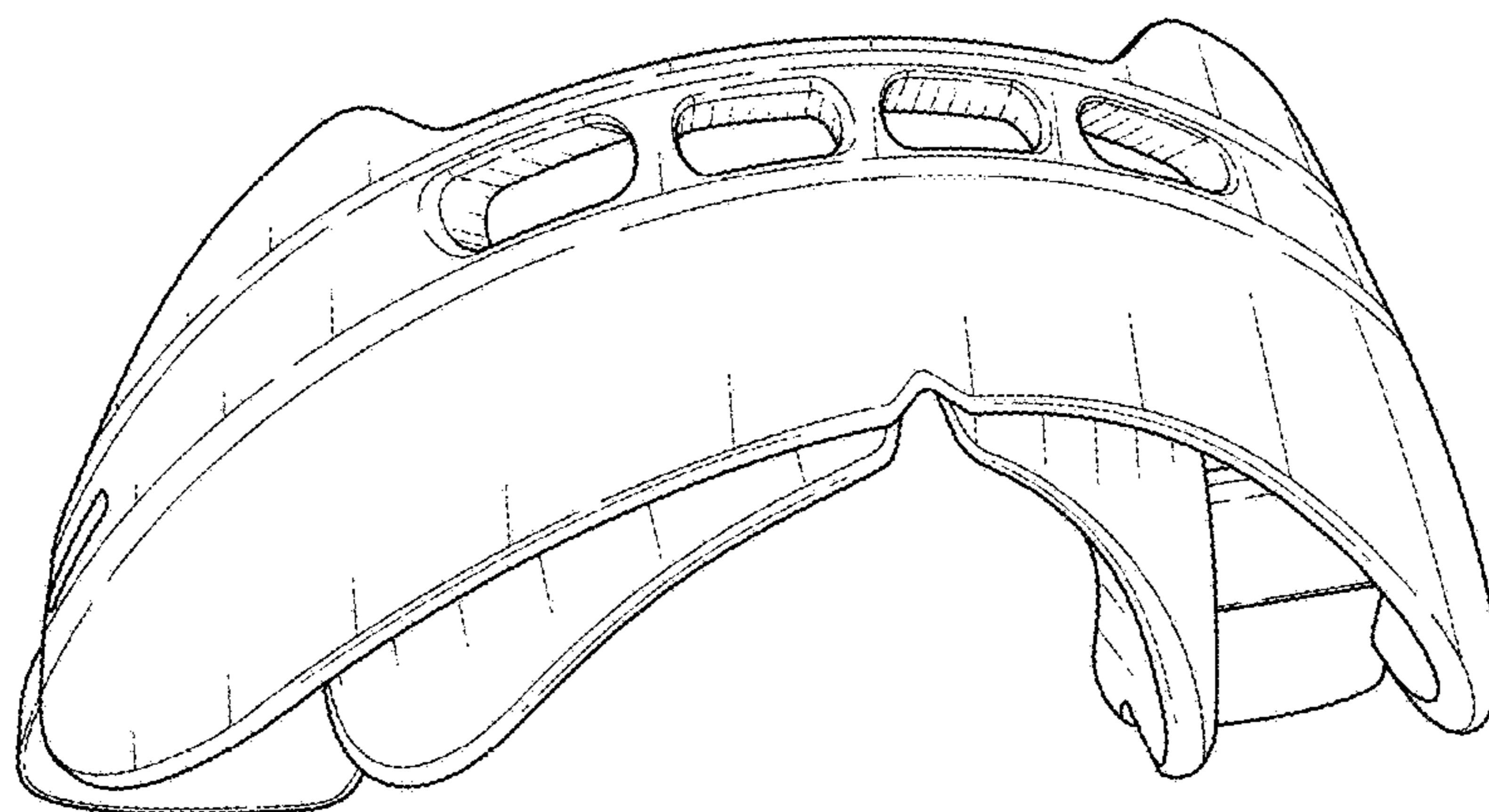


FIG. 3

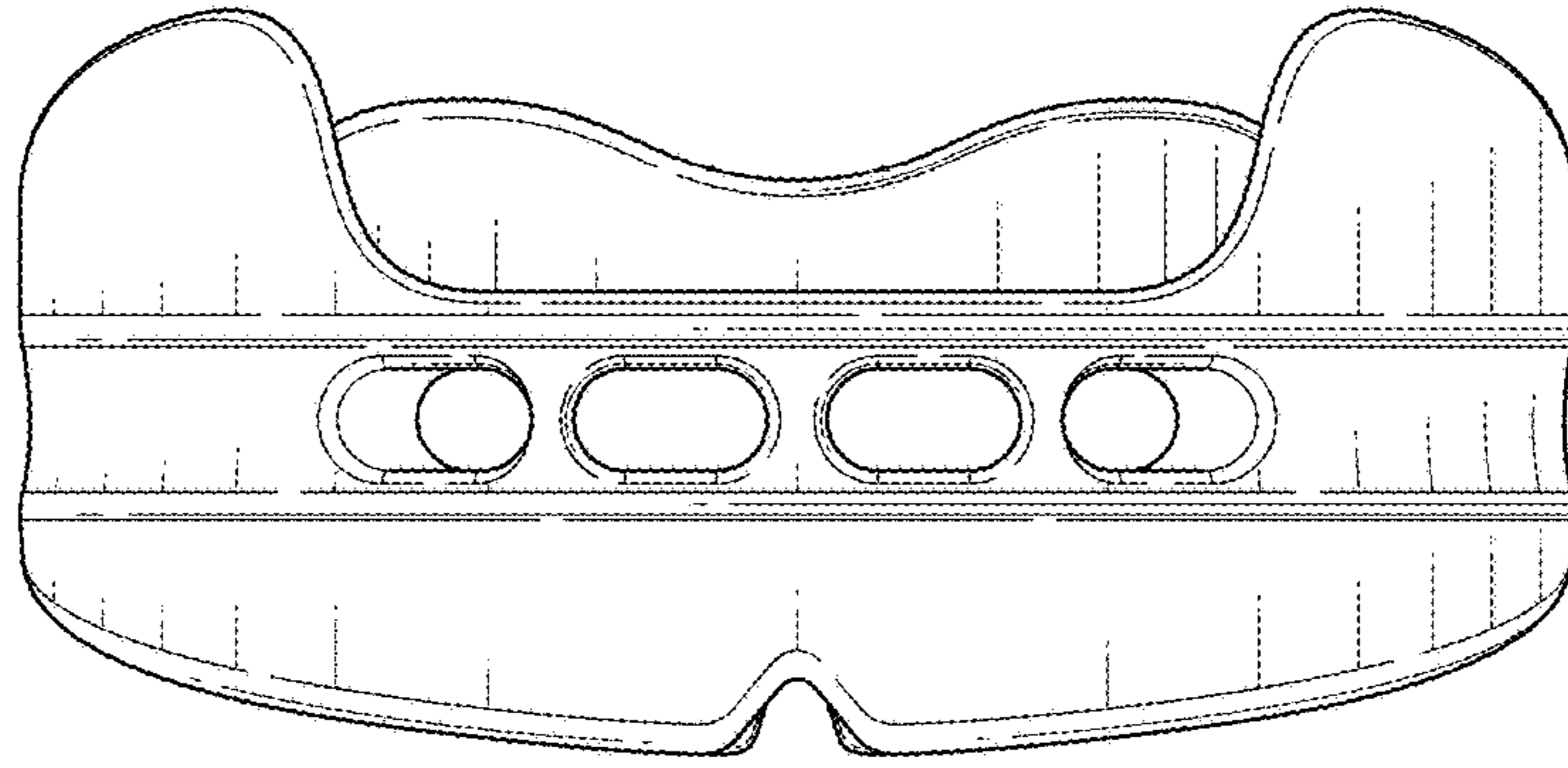


FIG. 4

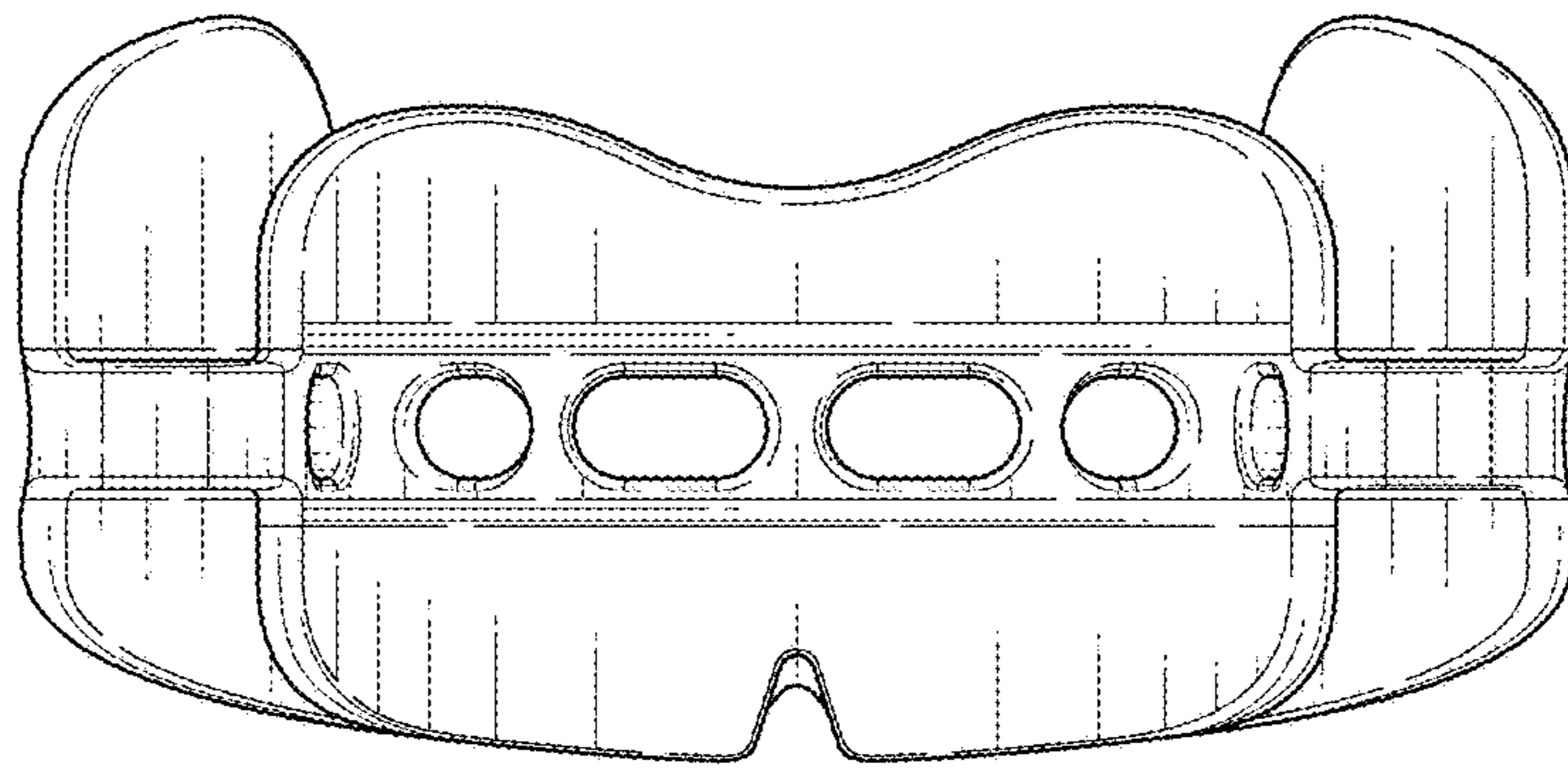


FIG. 5

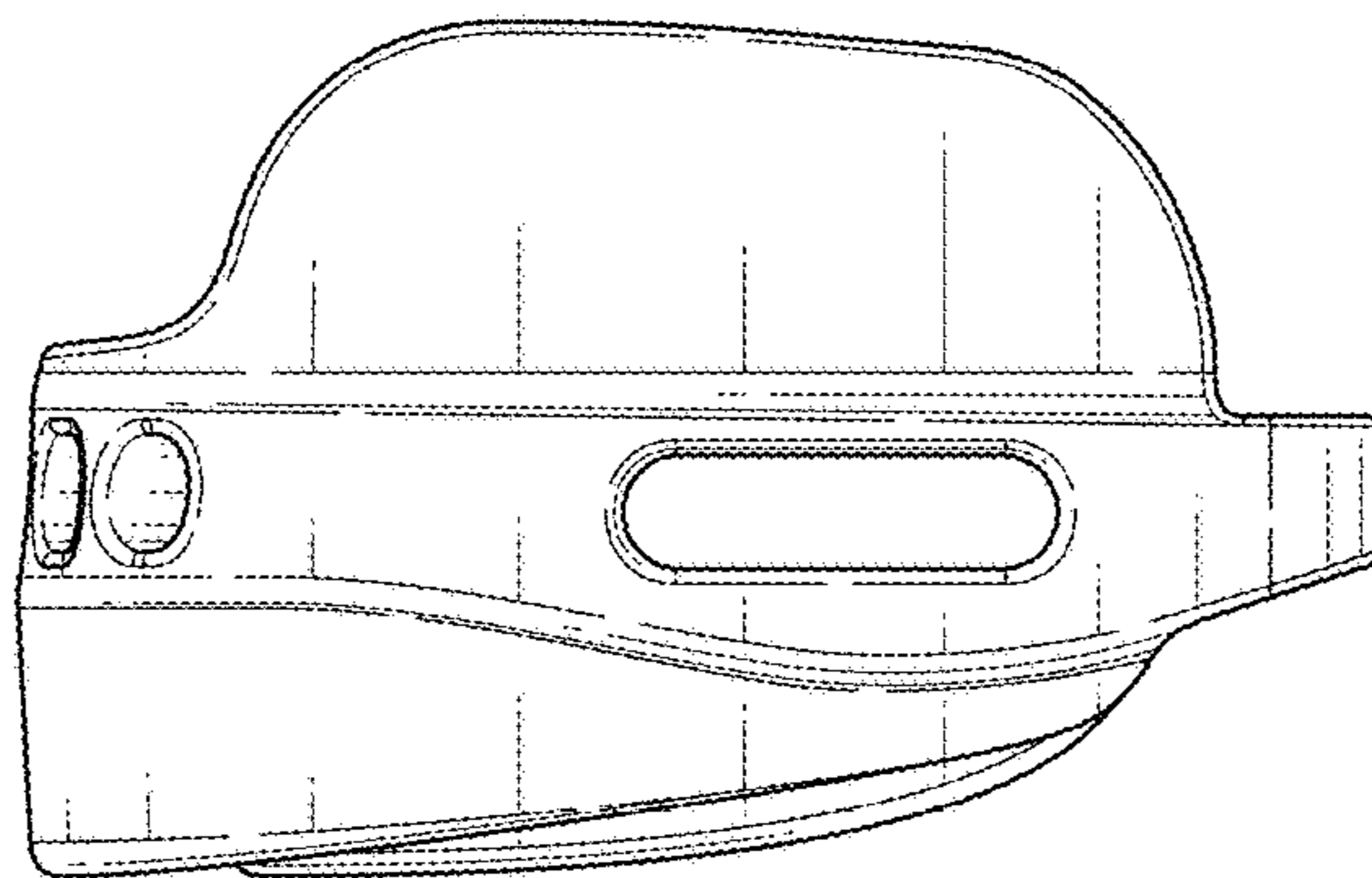


FIG. 6

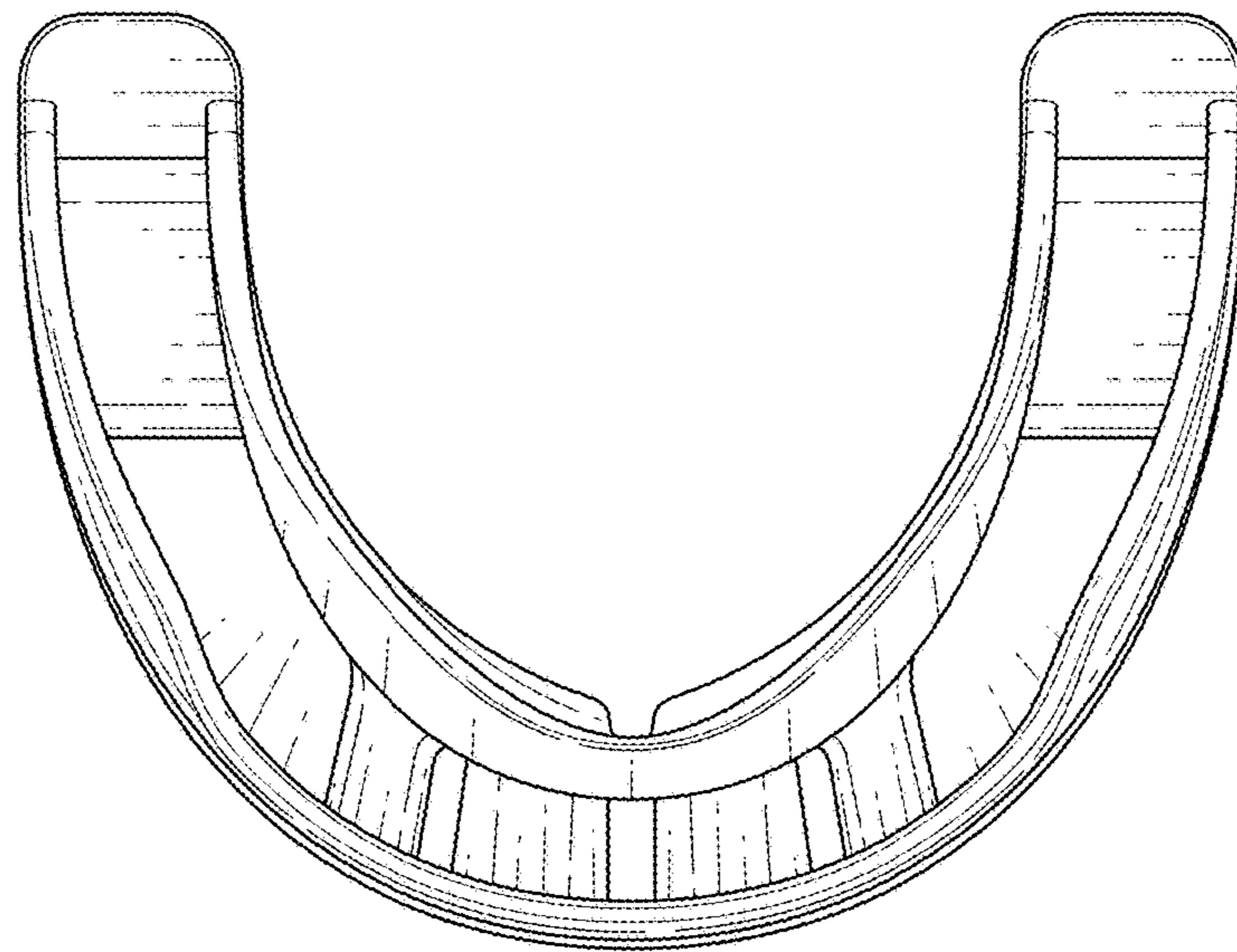


FIG. 7

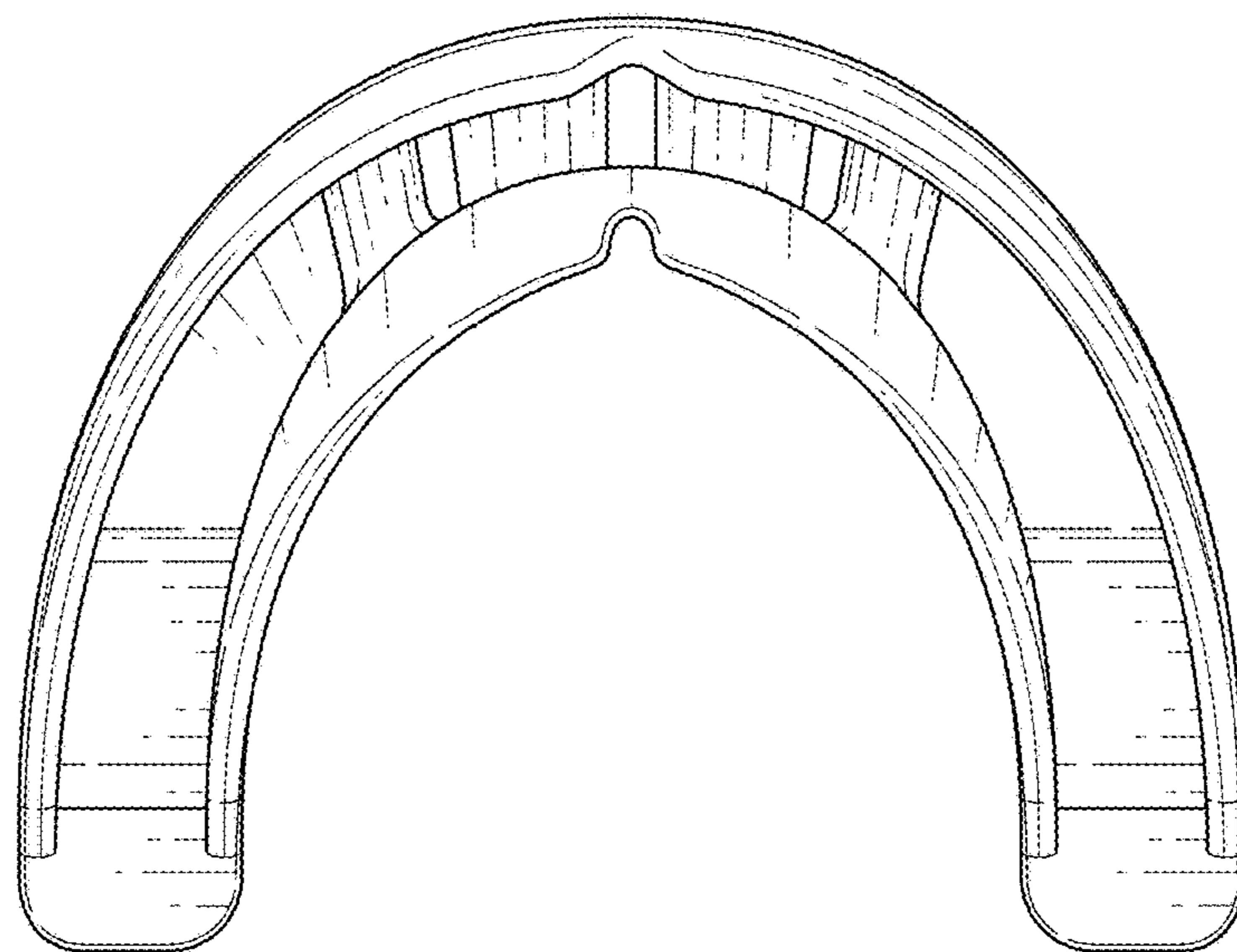


FIG. 8