



US00D852421S

(12) **United States Design Patent**  
**Solitt**

(10) **Patent No.:** **US D852,421 S**  
(45) **Date of Patent:** **\*\* Jun. 25, 2019**

- (54) **PORTABLE PEDICURE STATION**
- (71) Applicant: **Michael Solitt**, Fort Lauderdale, FL  
(US)
- (72) Inventor: **Michael Solitt**, Fort Lauderdale, FL  
(US)
- (\*\*) Term: **15 Years**
- (21) Appl. No.: **29/631,884**
- (22) Filed: **Jan. 3, 2018**
- (51) **LOC (11) Cl.** ..... **28-03**
- (52) **U.S. Cl.**  
USPC ..... **D28/61**
- (58) **Field of Classification Search**  
USPC ..... D28/57-59, 61  
CPC .... A45D 29/18-29/22; A45D 2200/25; A45D  
44/14; A45D 44/02  
See application file for complete search history.

6,834,655 B1 \* 12/2004 Briscoe ..... A45D 29/20  
132/288  
D551,803 S \* 9/2007 Durante ..... D28/61  
7,648,108 B2 \* 1/2010 Peterson ..... A61B 17/54  
132/73

(Continued)

**OTHER PUBLICATIONS**

Ownest Adjustable Pedicure Support Plate, www.amazon.com, down-  
loaded 2019, 1 page.\*

*Primary Examiner* — Jennifer Rivard  
(74) *Attorney, Agent, or Firm* — Buckingham, Doolittle  
& Burroughs, LLC

(57) **CLAIM**  
I claim the ornamental design for a portable pedicure station,  
as shown and described.

**DESCRIPTION**

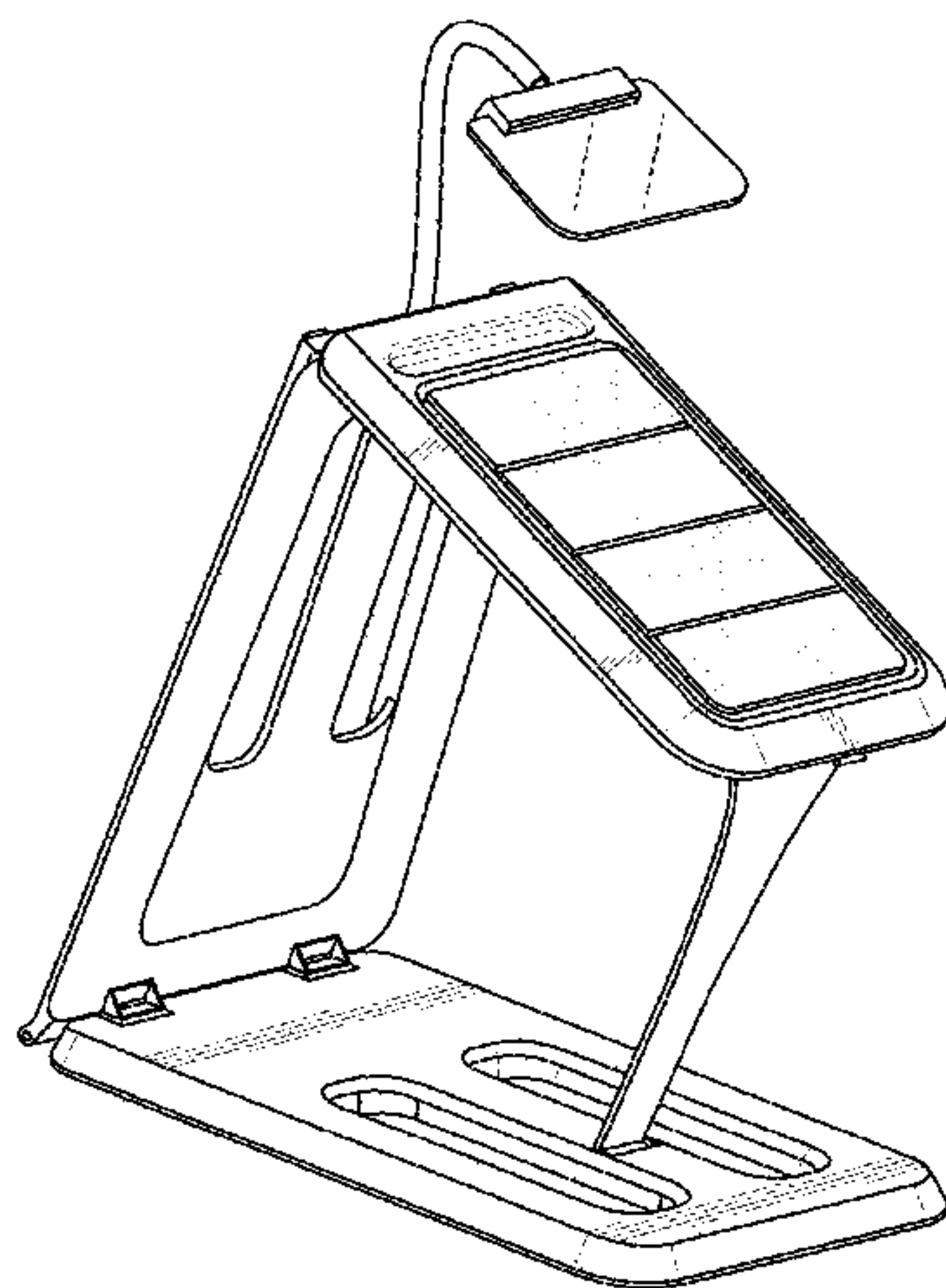
FIG. 1 is a front perspective view of the portable pedicure station of the present invention in a deployed position. FIG. 2 is a rear perspective view of the portable pedicure station of the present invention in a deployed position. FIG. 3 is a front elevational view of the portable pedicure station of the present invention in a deployed position. FIG. 4 is a rear elevational view of the portable pedicure station of the present invention in a deployed position. FIG. 5 is a right side elevational view of the portable pedicure station of the present invention in a deployed position. FIG. 6 is a left side elevational view of the portable pedicure station of the present invention in a deployed position. FIG. 7 is a top view of the portable pedicure station of the present invention in a deployed position; and, FIG. 8 is a bottom view of the portable pedicure station of the present invention in a deployed position. The broken lines shown along the bottom of the portable pedicure station form no part of the claimed design.

**1 Claim, 5 Drawing Sheets**

(56) **References Cited**

**U.S. PATENT DOCUMENTS**

D129,951 S *	10/1941	Scanteni	.....	D28/61
D187,122 S *	1/1960	Johnson	.....	D28/61
4,294,268 A	10/1981	Kittrell		
5,501,682 A	3/1996	Edwards-Cofie		
5,845,650 A	12/1998	Limone		
6,065,478 A *	5/2000	Hartelius	.....	A45D 29/20 132/73
D433,772 S *	11/2000	Capoano	.....	D28/61
6,325,069 B1 *	12/2001	Heims	.....	A45D 29/04 132/73
6,532,969 B2 *	3/2003	Nuzzo	.....	A45D 29/22 132/286
D487,533 S *	3/2004	Abbott	.....	A45D 29/22 D28/57
6,832,688 B1 *	12/2004	Rivera	.....	A45D 44/04 132/286



(56)

**References Cited**

U.S. PATENT DOCUMENTS

9,723,930 B2 8/2017 Burch  
2018/0235342 A1\* 8/2018 Wesley ..... A47B 5/04

\* cited by examiner

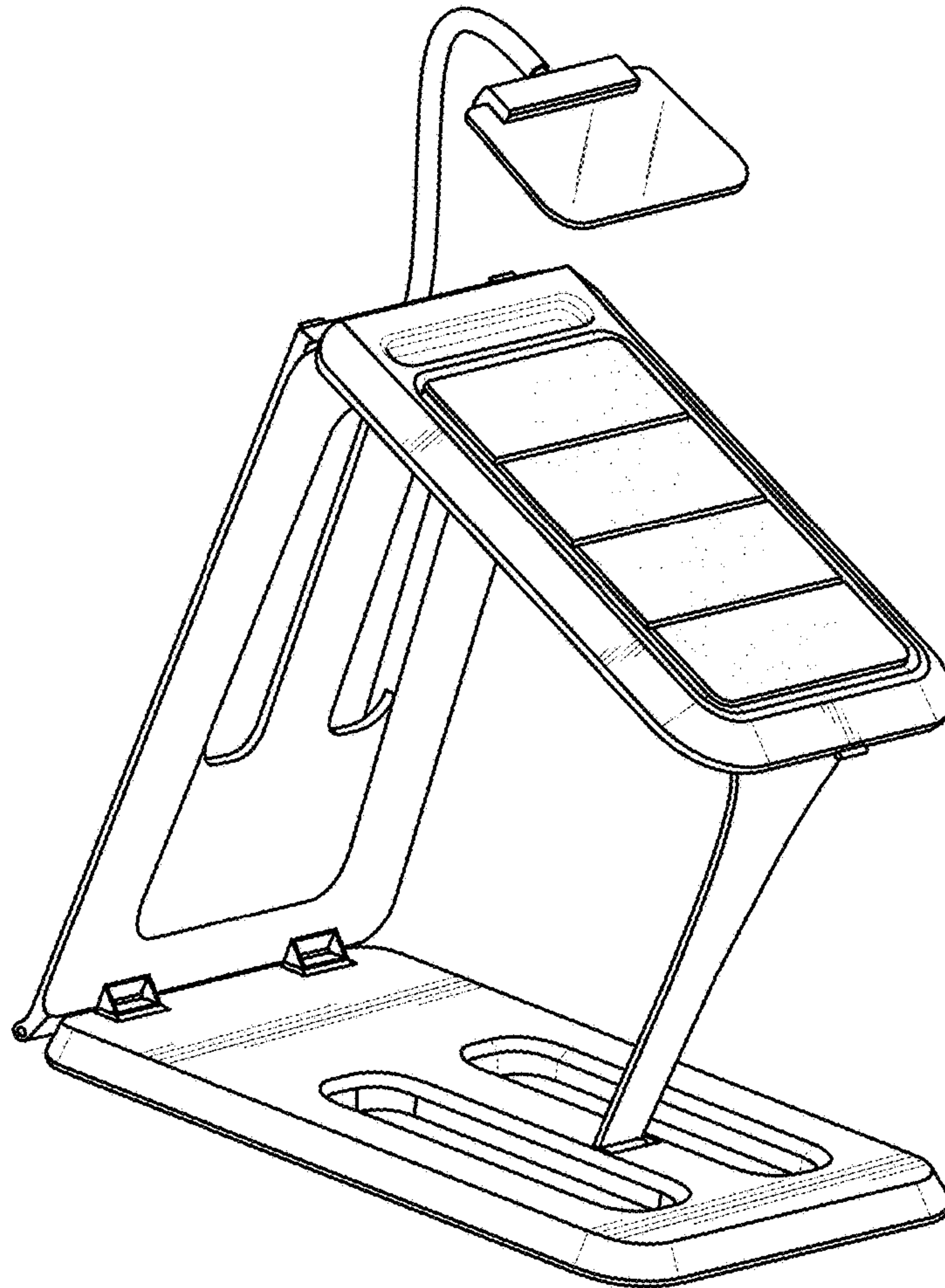


FIG. 1

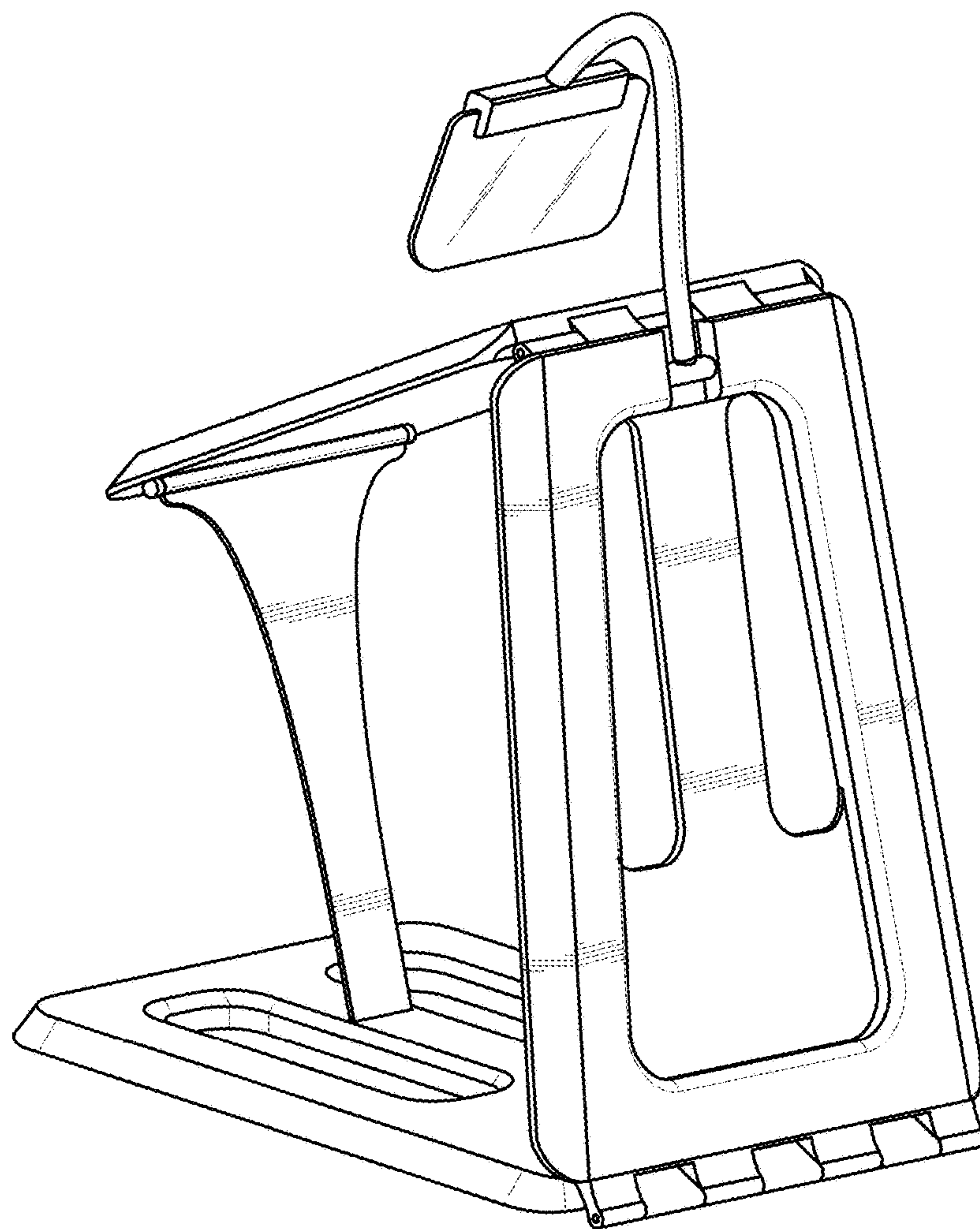


FIG. 2

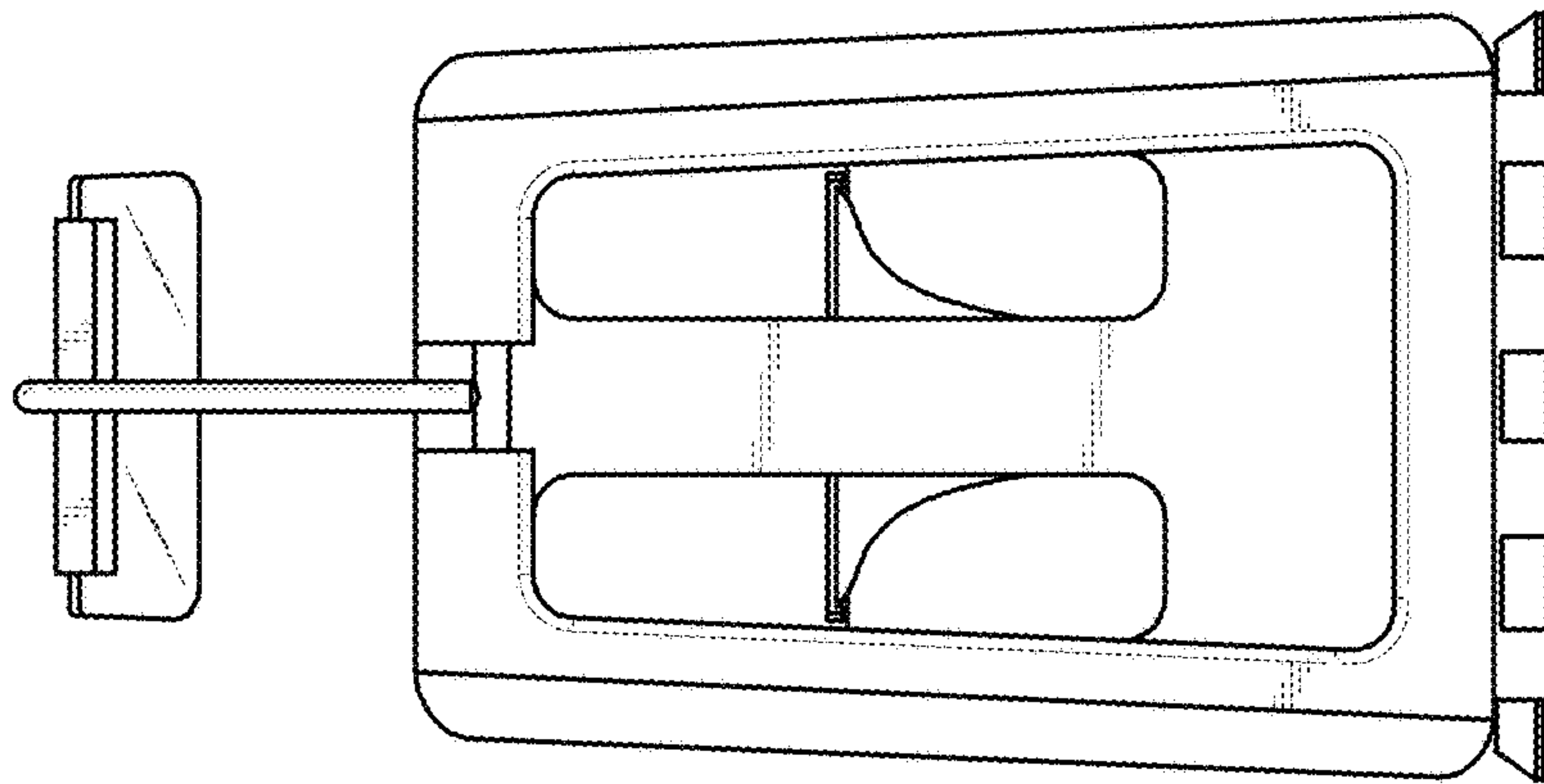


FIG. 4

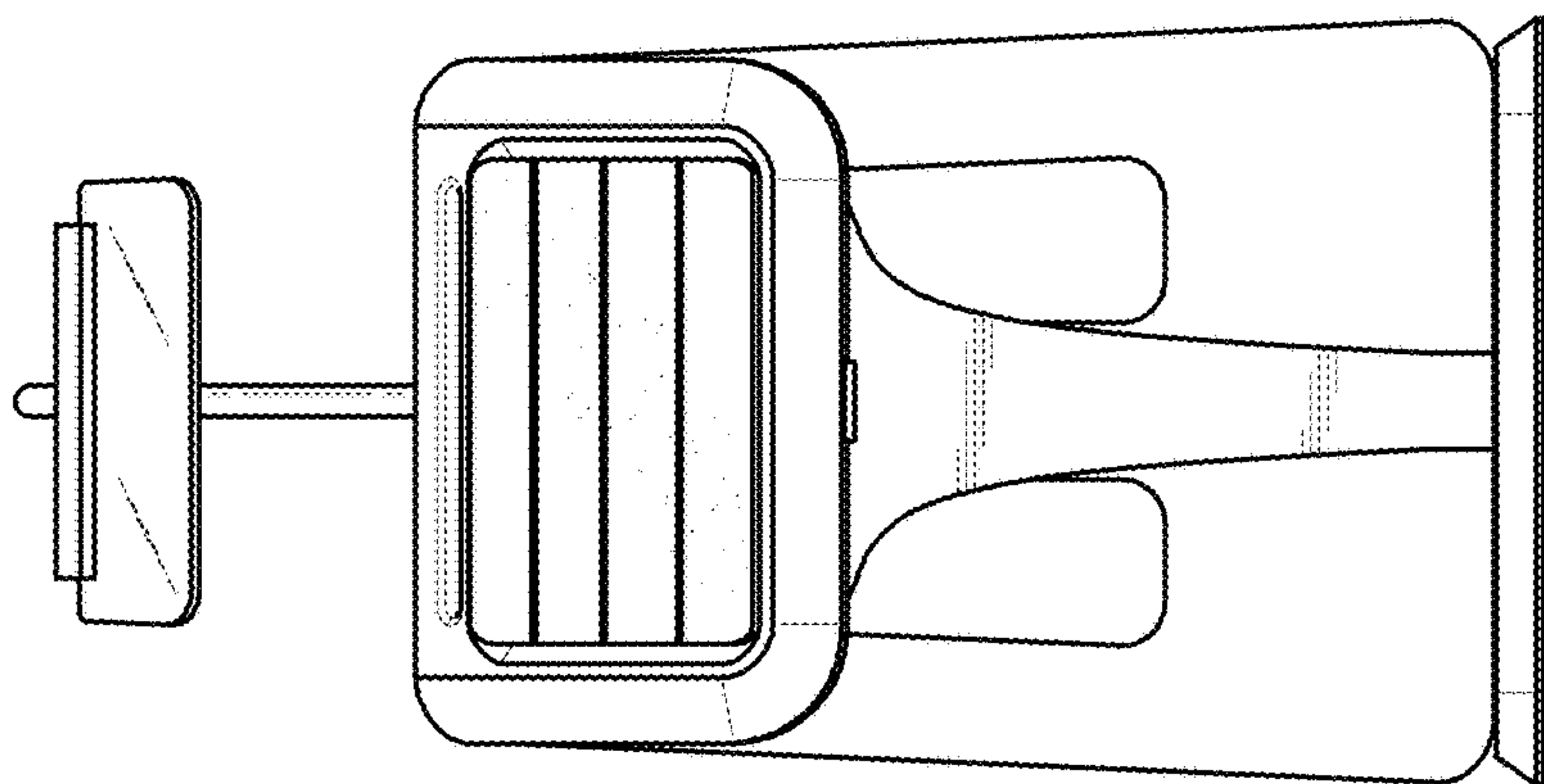


FIG. 3



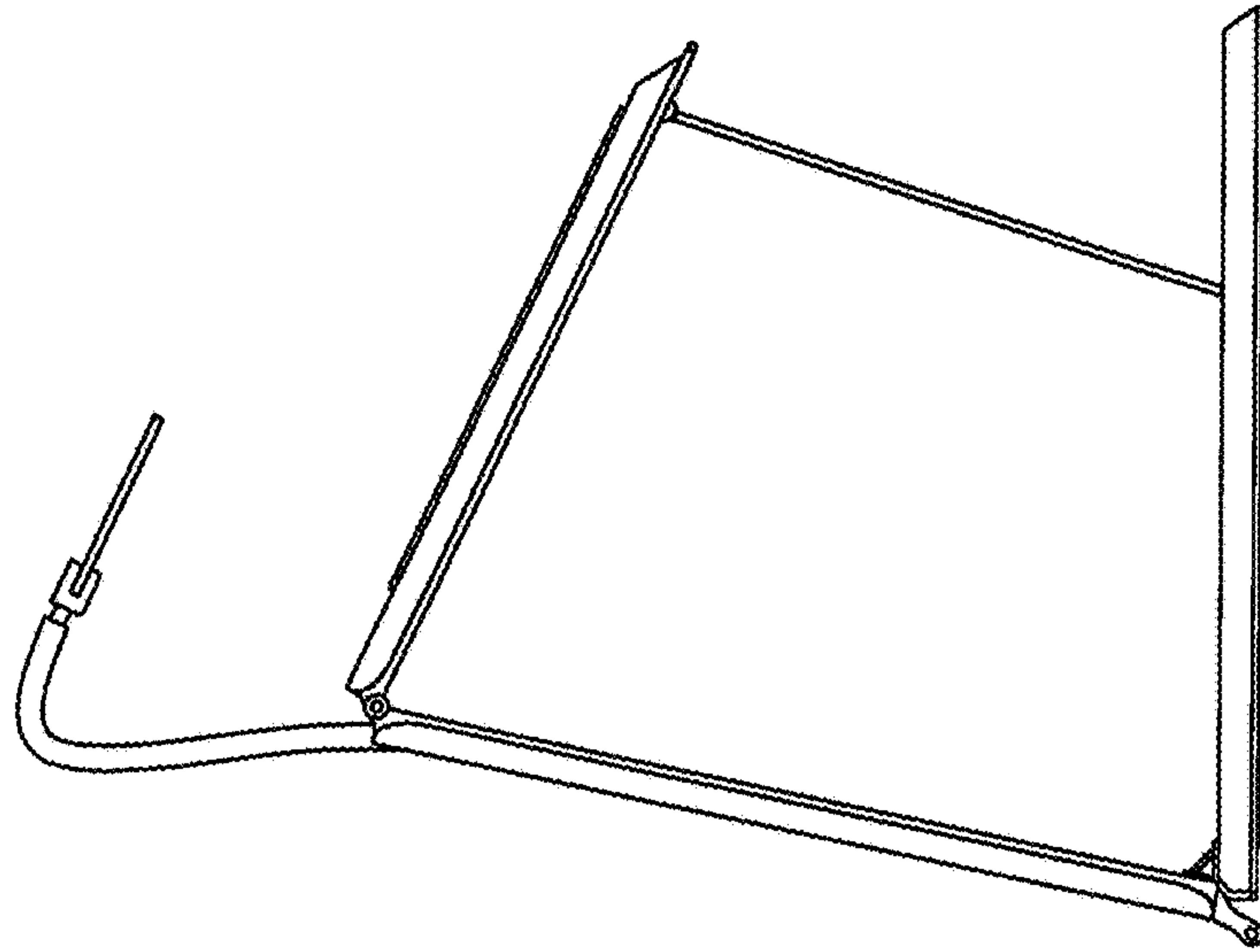


FIG. 6

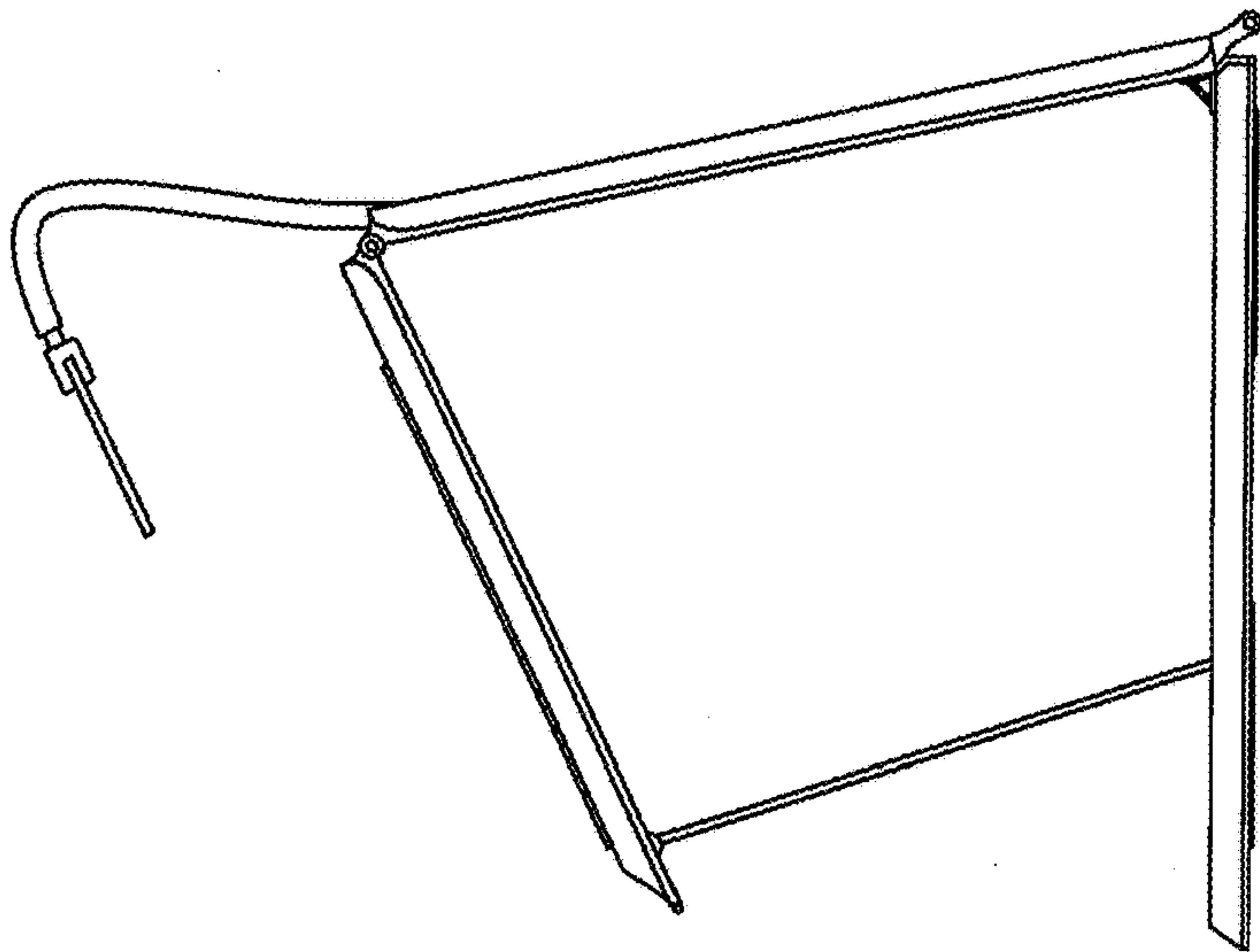


FIG. 5

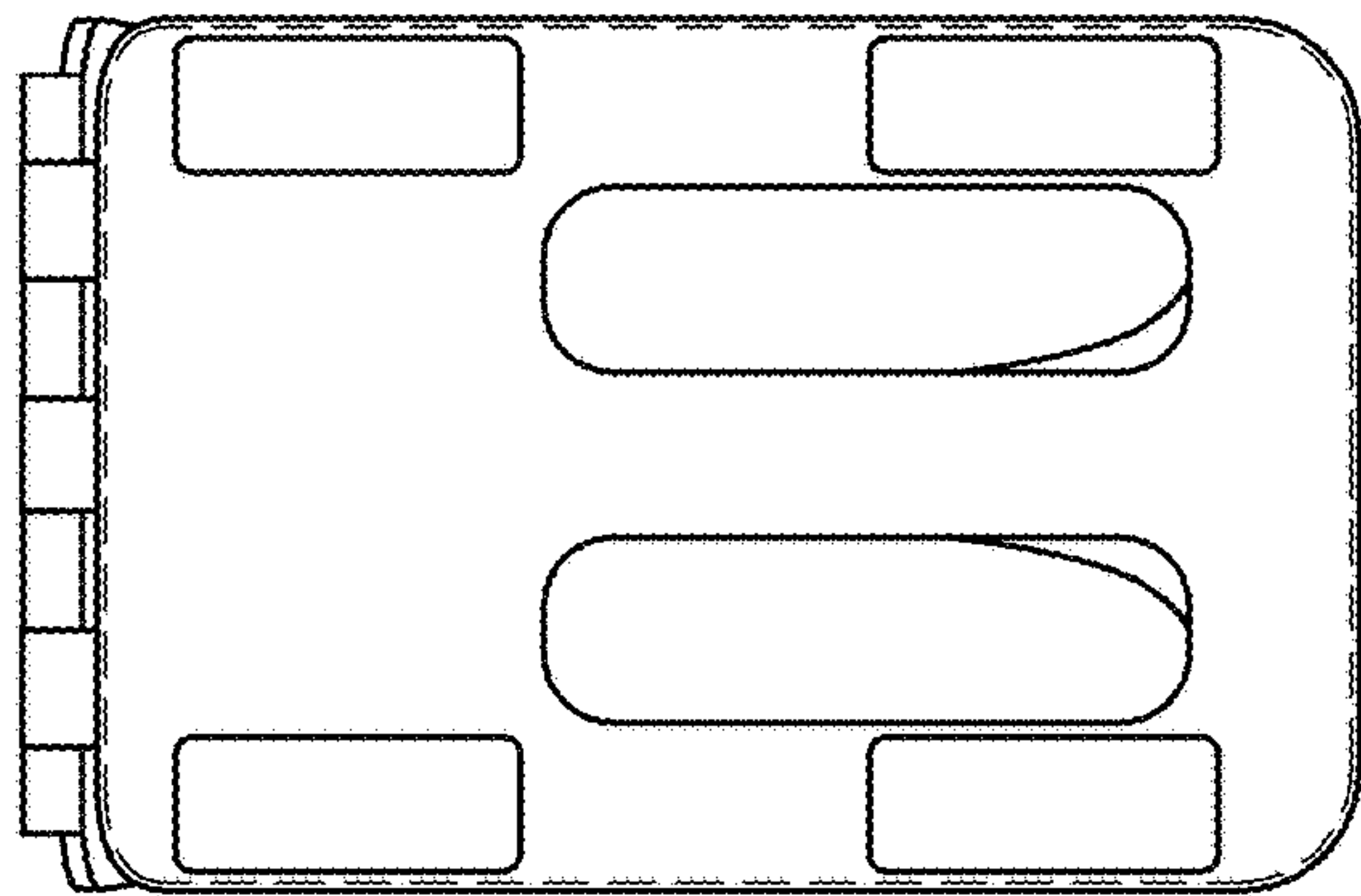


FIG. 8

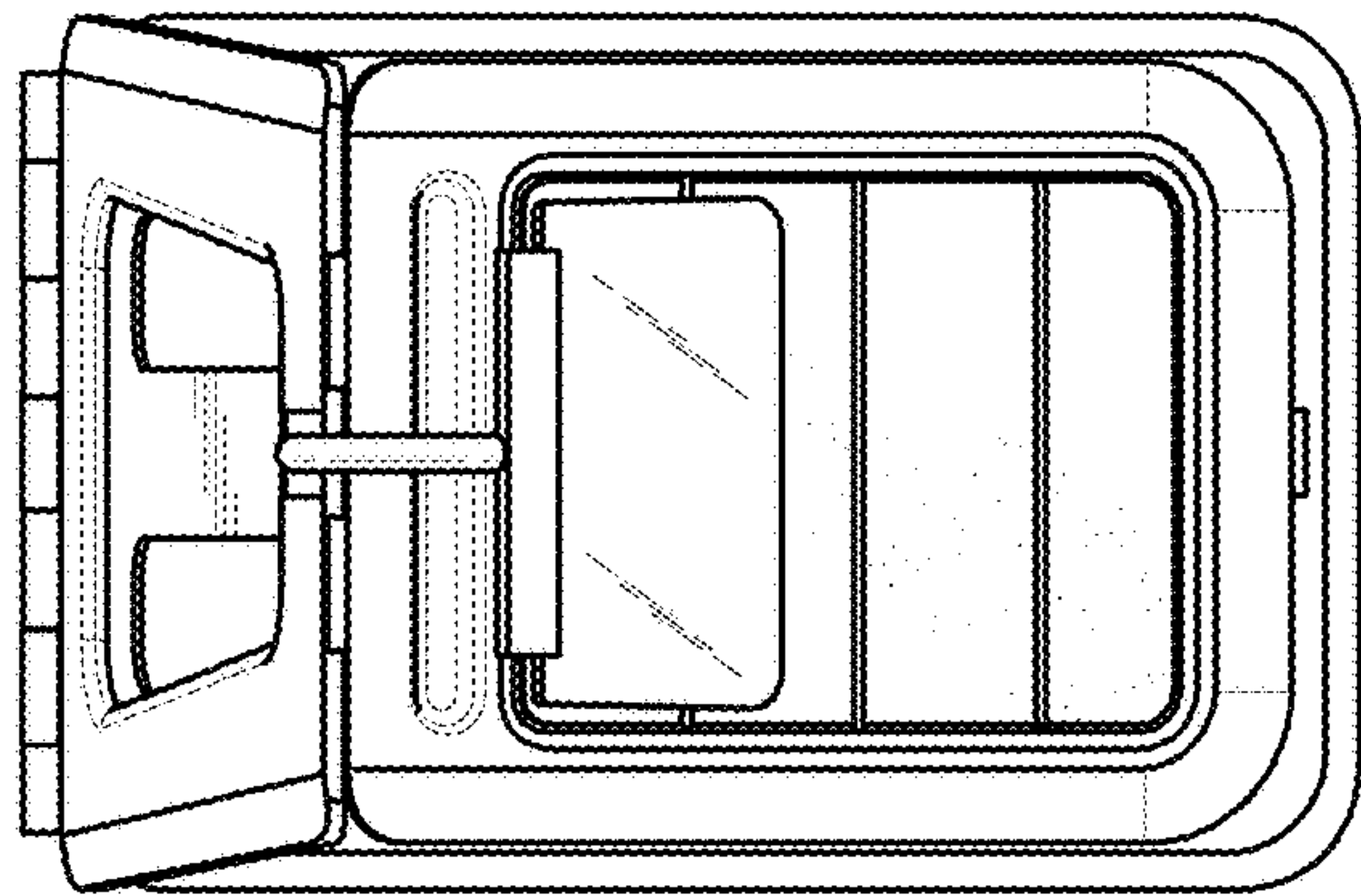


FIG. 7