



US00D852420S

(12) **United States Design Patent** (10) **Patent No.:** **US D852,420 S**
Deng (45) **Date of Patent:** **** Jun. 25, 2019**

(54) **NAIL CLIPPER**

FOREIGN PATENT DOCUMENTS

(71) Applicant: **Yun Deng**, Loudi (CN)

EM 003740471-0001 8/2017

(72) Inventor: **Yun Deng**, Loudi (CN)

OTHER PUBLICATIONS

(**) Term: **15 Years**

(21) Appl. No.: **29/680,878**

(22) Filed: **Feb. 20, 2019**

(51) **LOC (11) Cl.** **28-03**

(52) **U.S. Cl.**
USPC **D28/60**

(58) **Field of Classification Search**
USPC D28/60
CPC . A45D 2029/026; A45D 29/02; A45D 29/023
See application file for complete search history.

“Nail Clippers, 2 Packs Fingernail & Toenail Clipper with Sharp and Sturdy Blade, Surgical Material Stainless Steel Clippers.”, retrieved on Feb. 20, 2019, retrieved from Internet, https://www.amazon.com/Clippers-Fingernail-Surgical-Material-Stainless/dp/B07FJ6SCKT/ref=sr_1_51_a_it?ie=UTF8&qid=1550566144&sr=8-51&keywords=nail+clipper.

“Nail Clippers, Fingernail and Toenail Clipper” , retrieved on Feb. 20, 2019, retrieved from Internet, https://www.amazon.com/dp/B07DMJY4G5/ref=sspa_dk_detail_0?pd_rd_i=B07DMJY4G5&pd_rd_w=fhHIU&pf_rd_p=10ebaf99-73de-4f5d-a994-e7f5fc52f86f&pd_rd_wg32_LmyA2&pf_rd_r=X8G6HF36P9MVM5ZEW9NZ&pd_rd_r=3854022d-3423-11e9-a14f-a70c0b1a4a17&th=1.

* cited by examiner

(56) **References Cited**

U.S. PATENT DOCUMENTS

D172,093 S *	5/1954	Huber	D28/60
3,744,131 A *	7/1973	Manes	A45D 29/023 30/28
4,819,673 A *	4/1989	McMullen, Jr.	A45D 29/02 132/75.5
6,173,497 B1 *	1/2001	Domenge	A45D 29/02 132/75.5
D516,249 S *	2/2006	Merheje	D28/60
7,062,855 B2 *	6/2006	Merheje	A45D 29/02 132/75.5
D547,006 S *	7/2007	Han	D28/60
D559,462 S *	1/2008	Garland	D28/60
D559,463 S *	1/2008	Garland	D28/60
D586,045 S *	2/2009	Goddert	D28/60
D629,161 S *	12/2010	Farris	D28/60
D629,566 S *	12/2010	Vicari	D28/60
D639,510 S *	6/2011	Farris	D28/60
D676,609 S *	2/2013	Kim	D28/60
D724,916 S *	3/2015	Hoang	B25B 7/12 D28/60
9,192,218 B1 *	11/2015	Kaidi	A45D 29/02

Primary Examiner — Jennifer Rivard

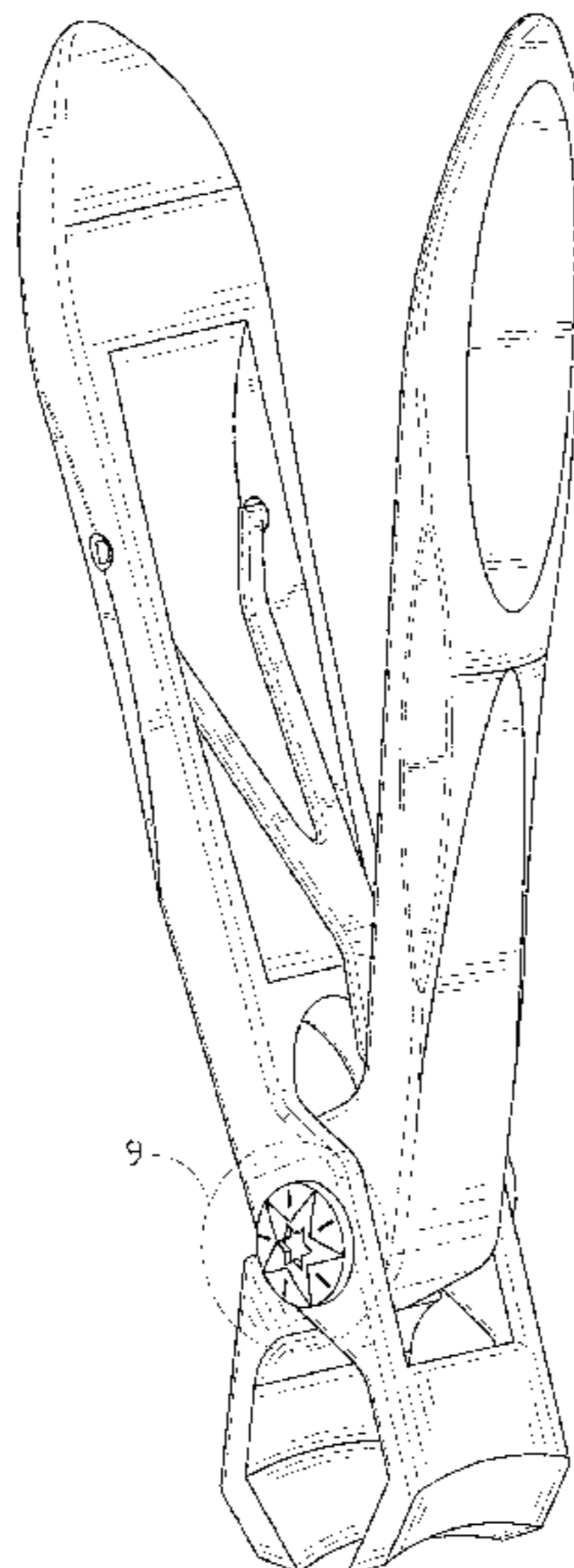
(57) **CLAIM**

The ornamental design for a nail clipper, as shown and described.

DESCRIPTION

FIG. 1 is a perspective view of a nail clipper showing my new design;
FIG. 2 is another perspective view thereof;
FIG. 3 is a front elevational view thereof;
FIG. 4 is a rear elevational view thereof;
FIG. 5 is a left side elevational view thereof;
FIG. 6 is a right side elevational view thereof;
FIG. 7 is a top plan view thereof;
FIG. 8 is a bottom plan view thereof; and,
FIG. 9 is an enlarged view of portion 9 shown in FIG. 1.

1 Claim, 9 Drawing Sheets



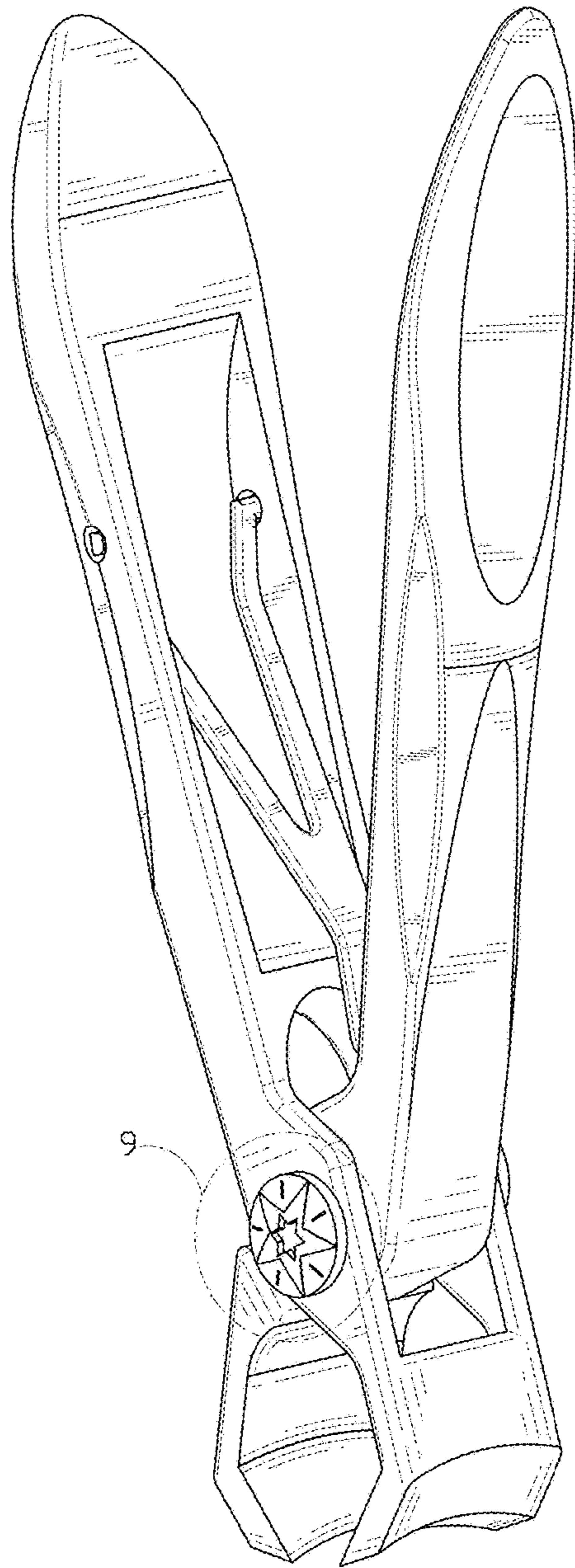


FIG. 1

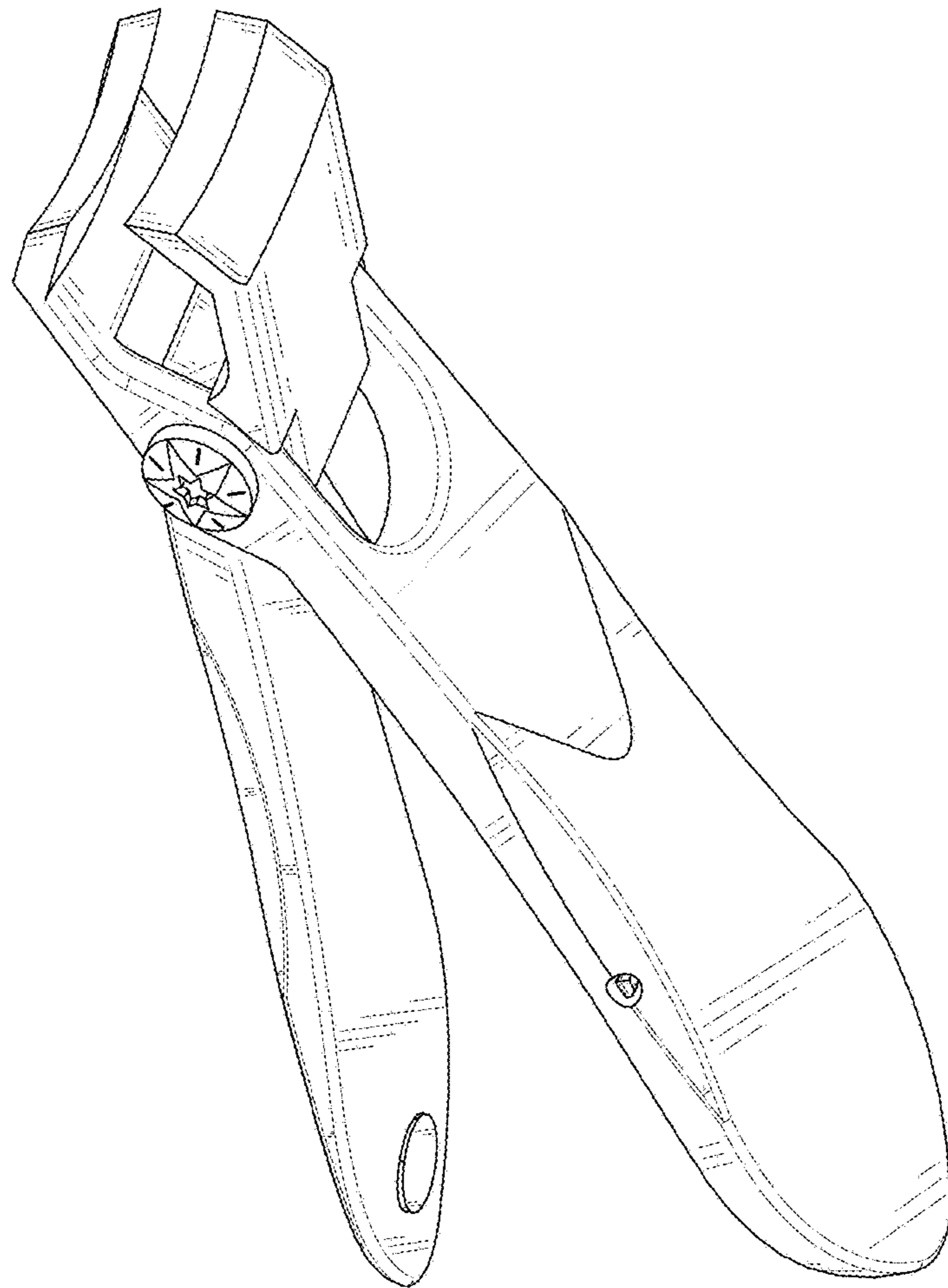


FIG. 2

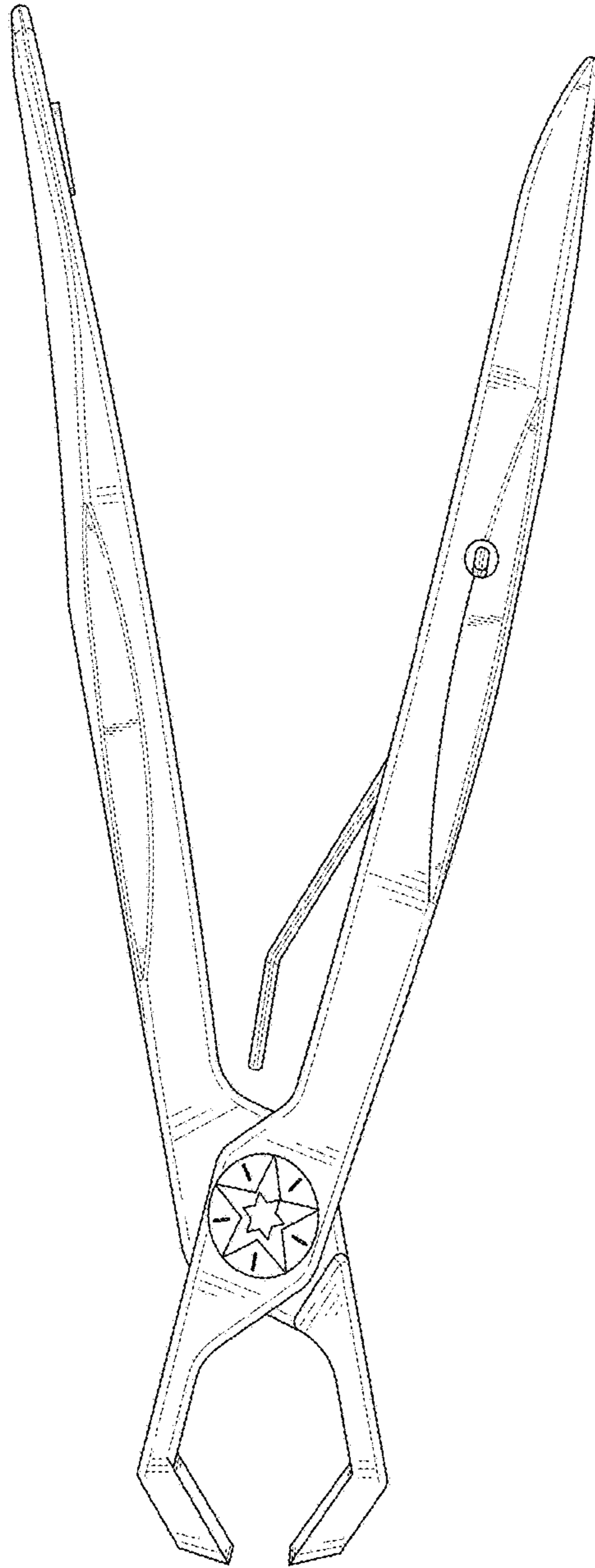


FIG. 3

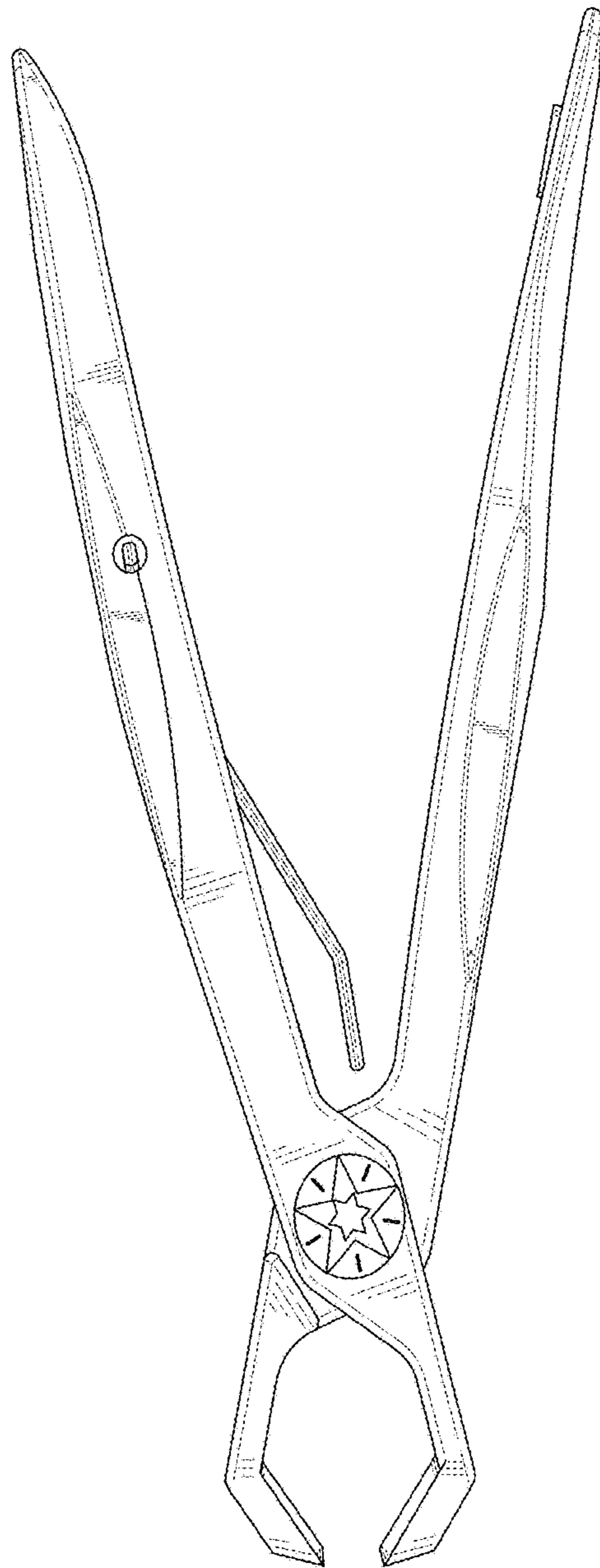


FIG. 4

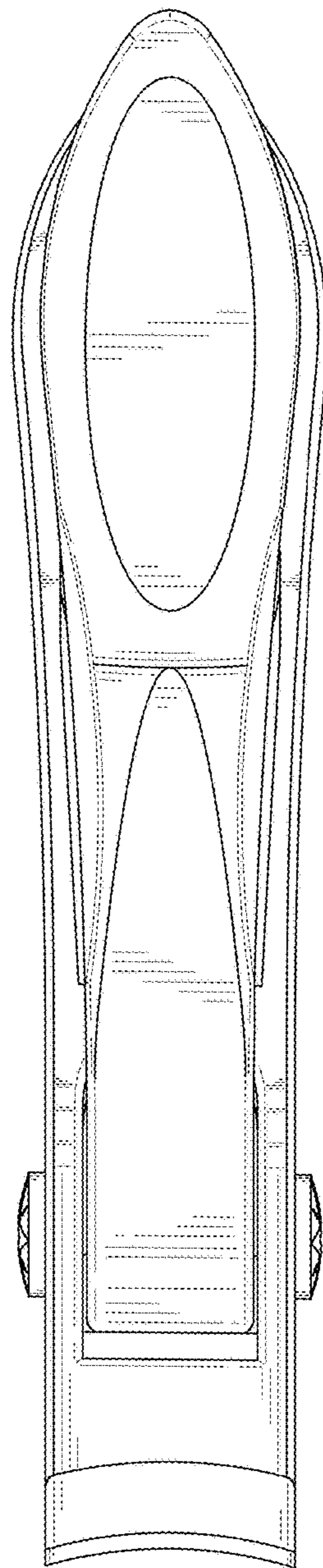


FIG. 5

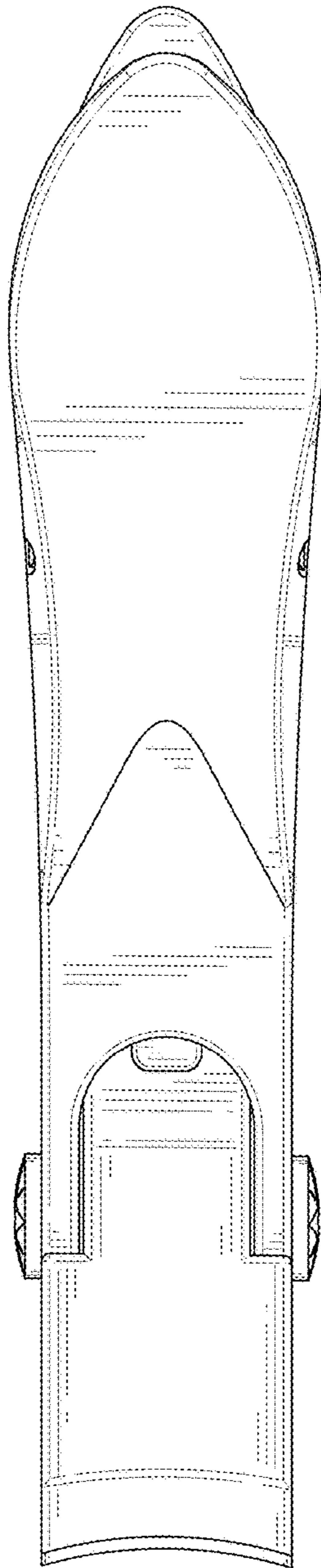


FIG. 6

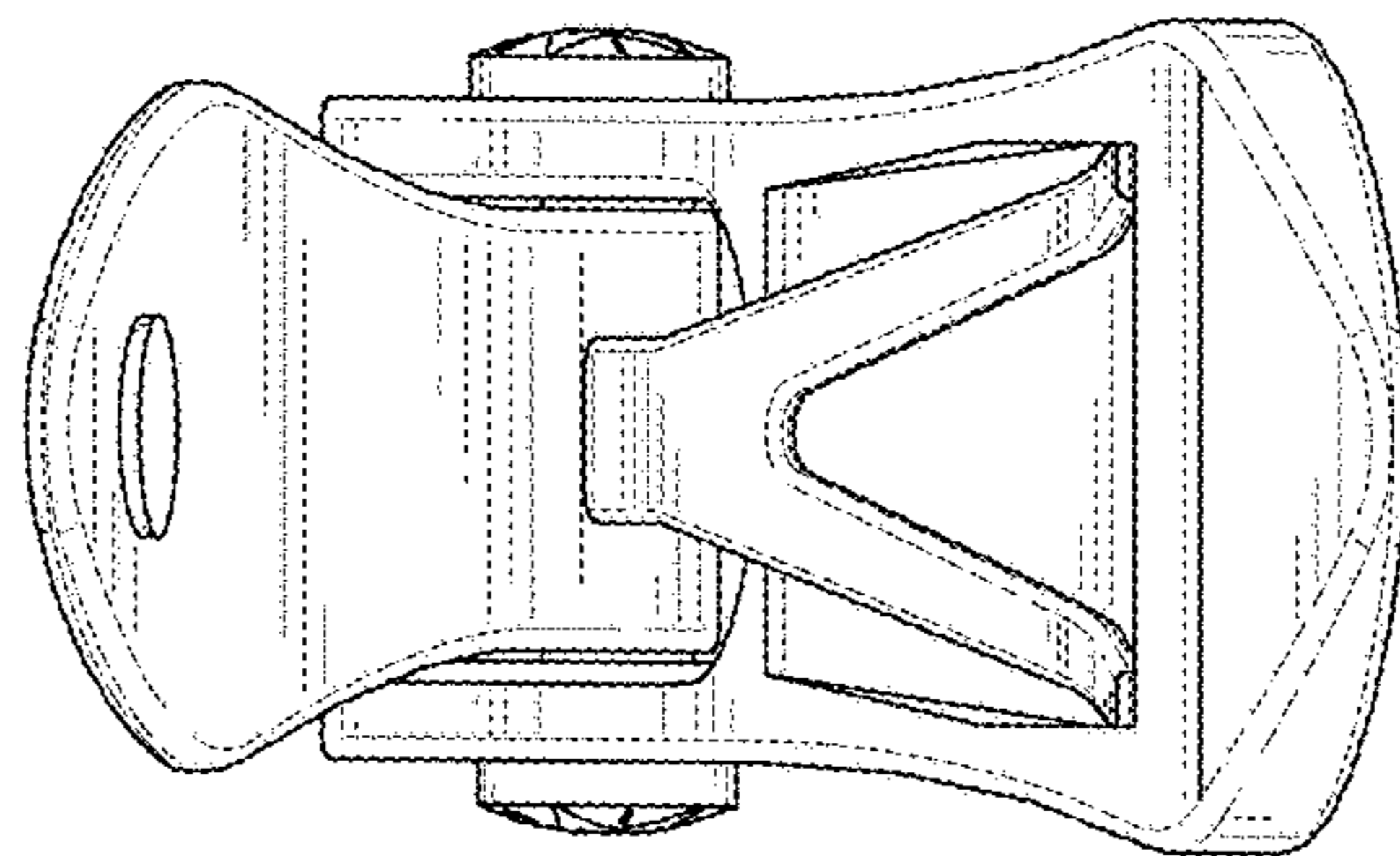


FIG. 7

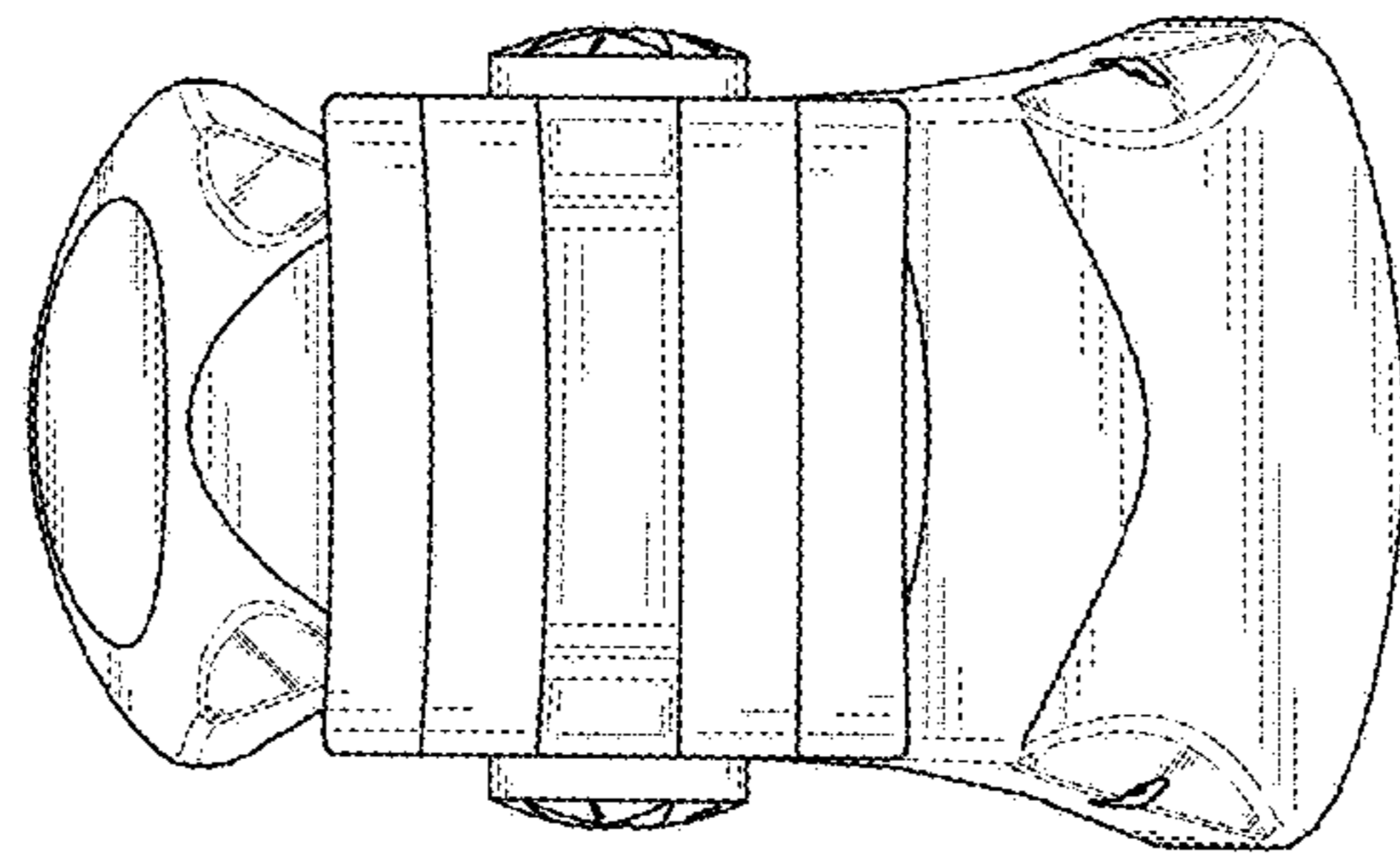


FIG. 8

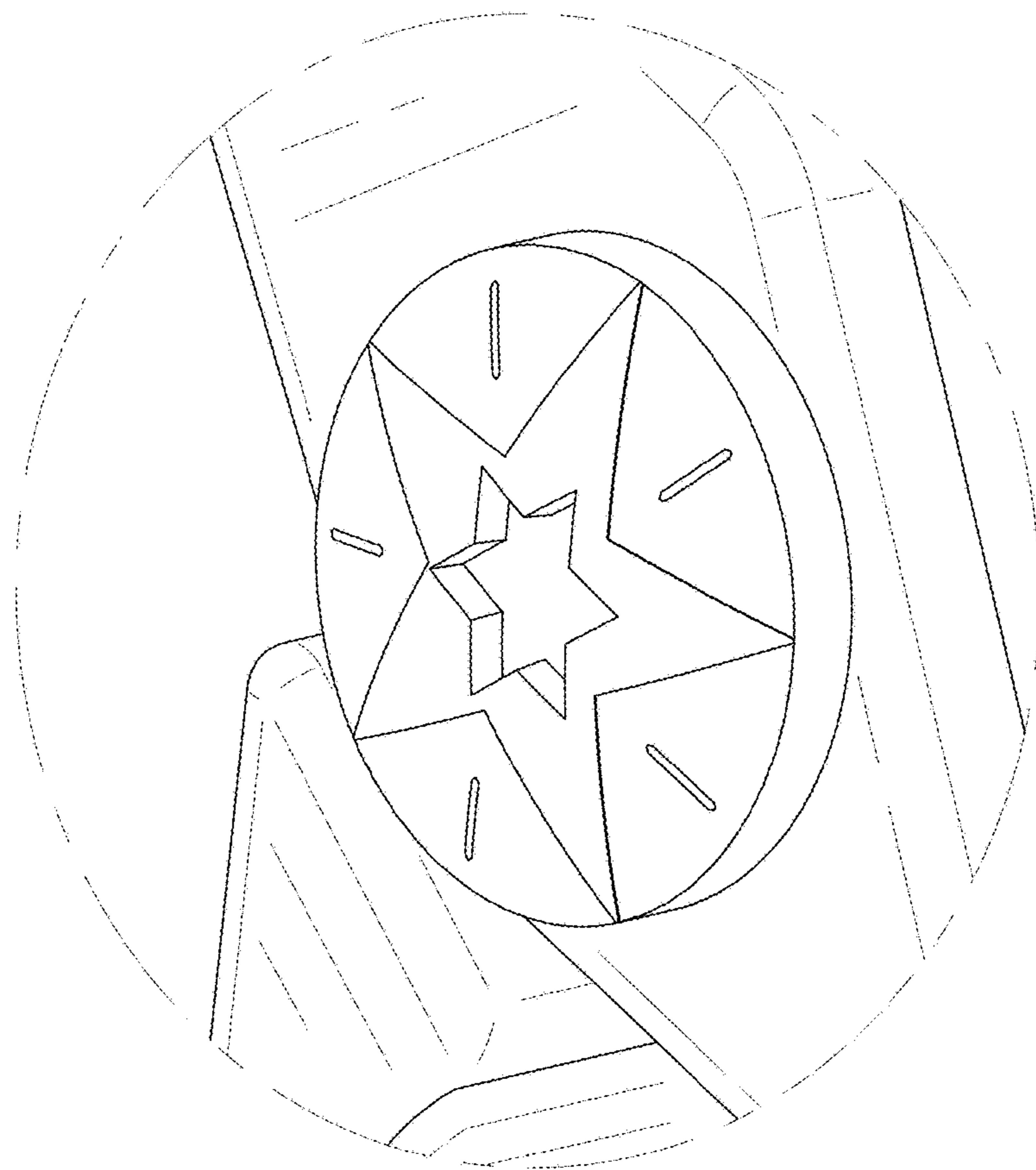


FIG. 9