

US00D852418S

(12) **United States Design Patent** (10) **Patent No.:** **US D852,418 S**
Washington et al. (45) **Date of Patent:** **** Jun. 25, 2019**

(54) **RAZOR COMPONENT**

(56) **References Cited**

(71) Applicant: **The Gillette Company LLC**, Boston, MA (US)
(72) Inventors: **Jack Anthony Washington**, Mendon, MA (US); **Shrikant Prasad Pattnaik**, Canton, MA (US); **Alexander Stephen Forti**, Dedham, MA (US); **Robert Harold Johnson**, Hingham, MA (US); **Hong Lu**, Falmouth, ME (US); **Vanessa Christie**, Boston, MA (US); **Thomas Anthony Gernetzke**, Beverly, MA (US); **Michael David Tinstman**, Malden, MA (US); **Benjamin Andrew Bangser**, Los Angeles, CA (US)
(73) Assignee: **The Gillette Company LLC**, Boston, MA (US)

U.S. PATENT DOCUMENTS

D607,149 S	12/2009	Psimadas et al.	
D619,763 S	7/2010	Coresh	
D650,944 S	12/2011	Micinilio	
D650,945 S	12/2011	Micinilio	
D662,662 S	6/2012	Rumsey	
D675,048 S	1/2013	Coresh	
8,590,162 B2	11/2013	Park et al.	
D700,742 S	3/2014	Micinilio	
9,469,038 B2	10/2016	Iaccarino et al.	
D775,422 S	12/2016	Faktorovich et al.	
D776,876 S	1/2017	Coviello	
D783,900 S	4/2017	Coviello	
9,844,887 B2	12/2017	Griffin et al.	
D827,200 S *	8/2018	Washington	D28/47
D828,956 S *	9/2018	Washington	D28/47
D833,677 S *	11/2018	Forti	D28/47

(Continued)

Primary Examiner — Jennifer Rivard

(74) *Attorney, Agent, or Firm* — Joanne N. Pappas; Kevin C. Johnson

(**) Term: **15 Years**

(57) **CLAIM**

(21) Appl. No.: **29/657,299**

The ornamental design for a razor component, as shown and described.

(22) Filed: **Jul. 20, 2018**

DESCRIPTION

Related U.S. Application Data

(62) Division of application No. 29/603,045, filed on May 5, 2017, now Pat. No. Des. 828,956.

(51) **LOC (11) Cl.** **28-03**

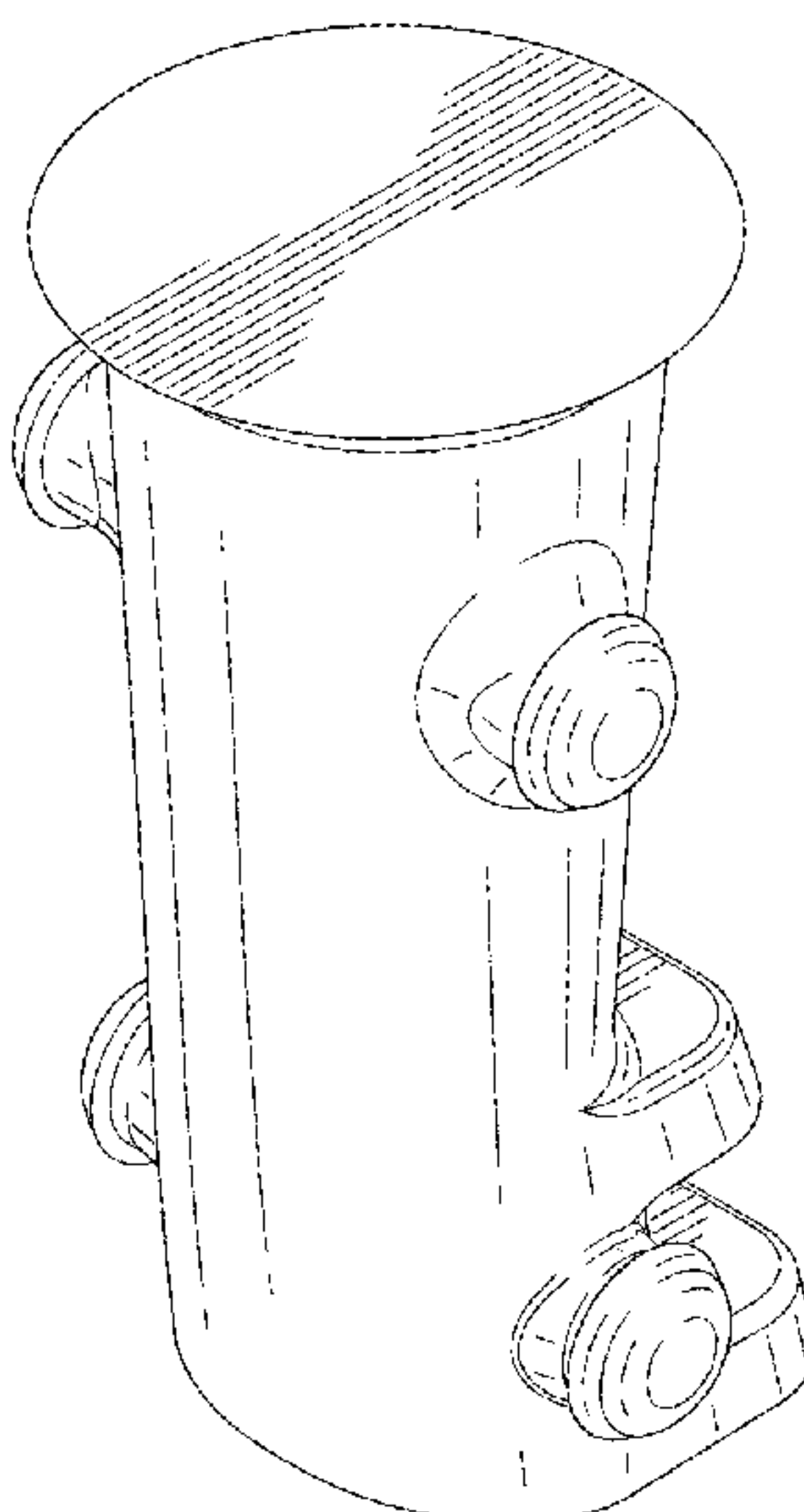
(52) **U.S. Cl.**
USPC **D28/47**

(58) **Field of Classification Search**
USPC D28/46-48
CPC B26B 21/08-10; B26B 21/14; B26B 21/22-227; B26B 21/52-522; B26B 21/4068-4075

See application file for complete search history.

FIG. 1 is a perspective view of a razor component of the present invention;
FIG. 2 is a front view of the razor component of FIG. 1;
FIG. 3 is a back view of the razor component of FIG. 1;
FIG. 4 is a right side view of the razor component of FIG. 1;
FIG. 5 is a left side view of the razor component of FIG. 1;
FIG. 6 is a top view of the razor component of FIG. 1;
FIG. 7 is a bottom view of the razor component of FIG. 1;
and,
FIG. 8 is a rear perspective view of the razor component of FIG. 1.

1 Claim, 4 Drawing Sheets



(56)

References Cited

U.S. PATENT DOCUMENTS

10,137,584 B2 * 11/2018 Lee B26B 21/14
2017/0264036 A1 9/2017 Broemse et al.
2018/0043556 A1 2/2018 Lu et al.
2018/0043560 A1 2/2018 Lu et al.

* cited by examiner

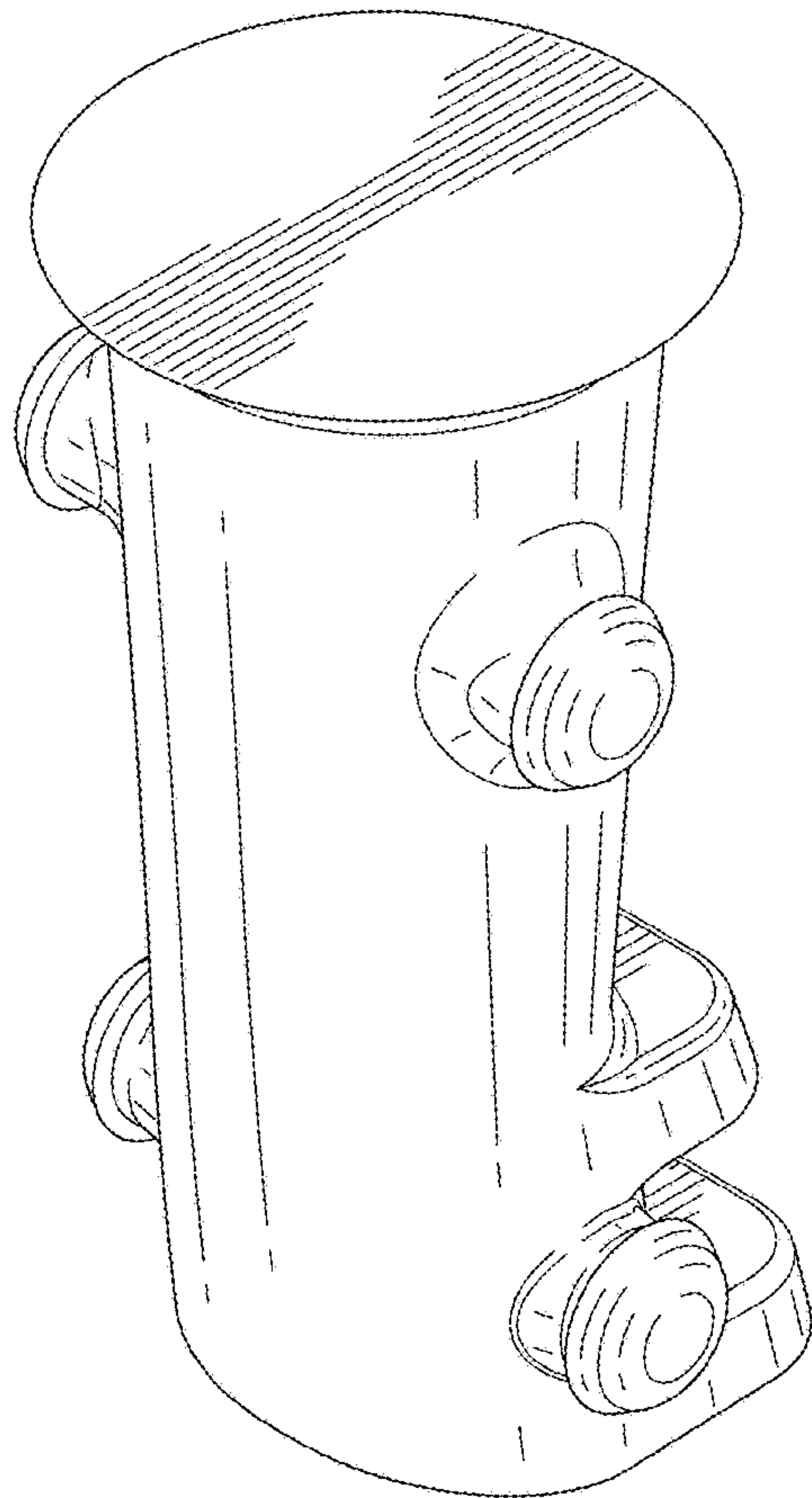


FIG. 1

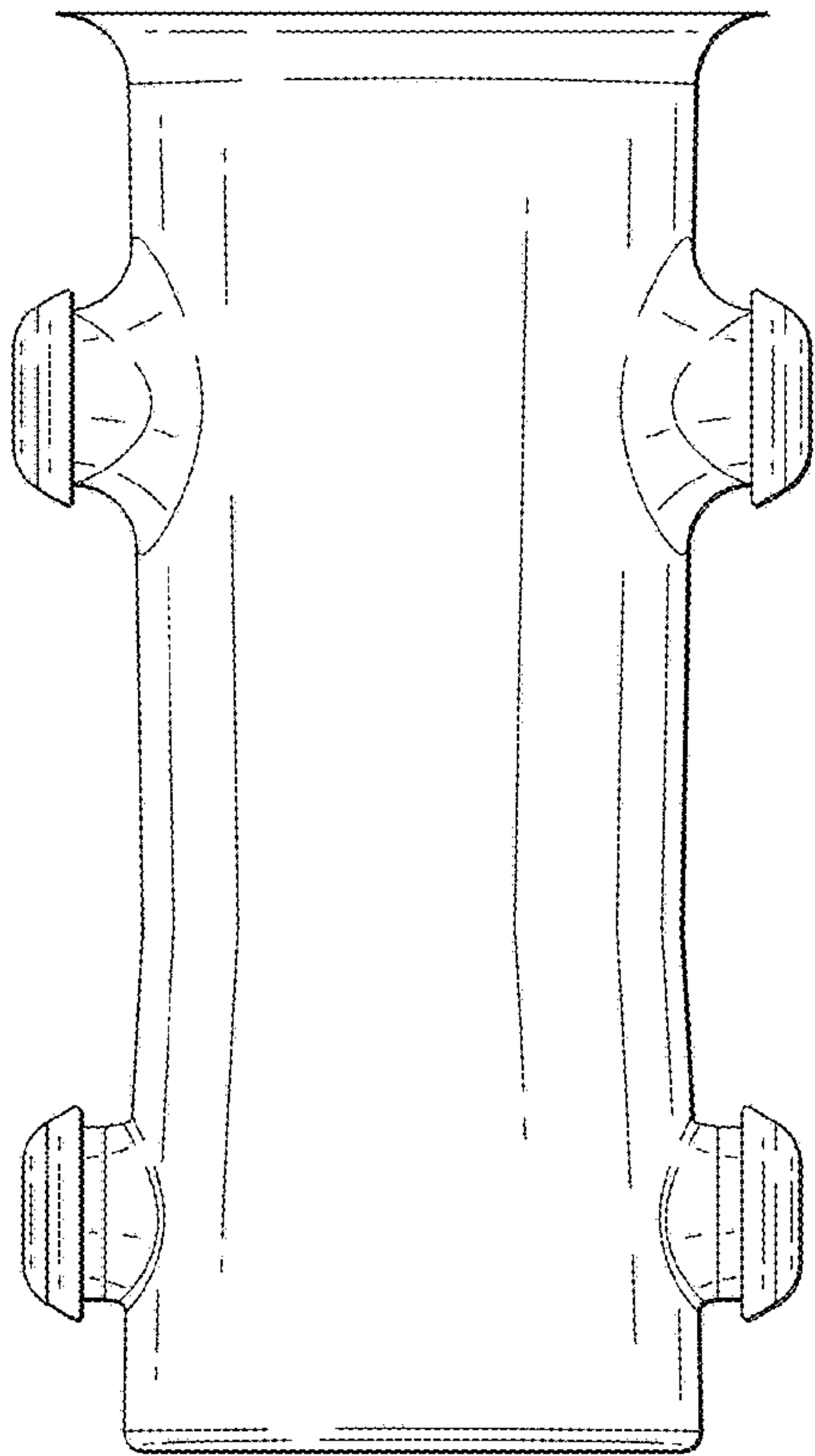


FIG. 2

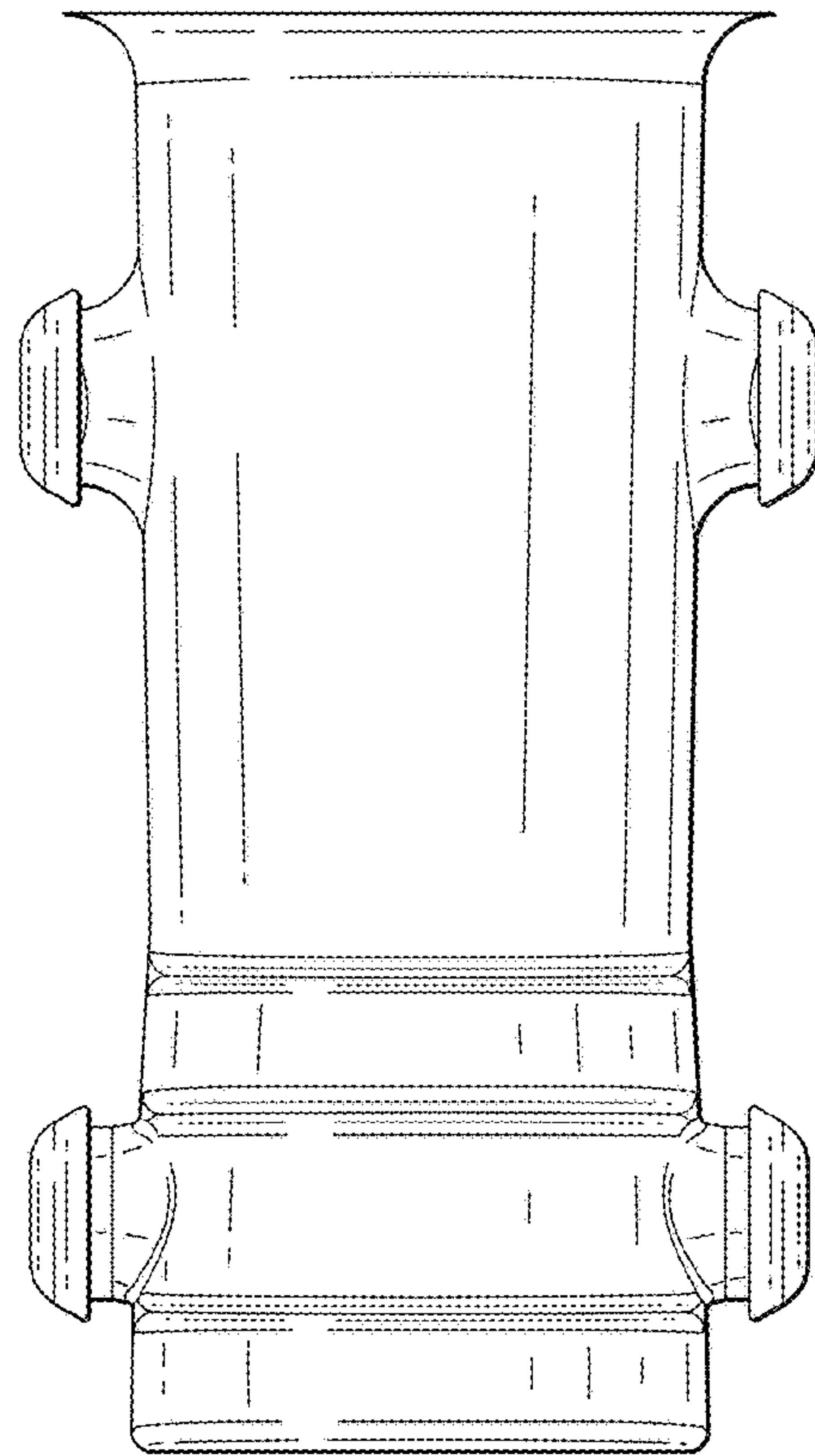


FIG. 3

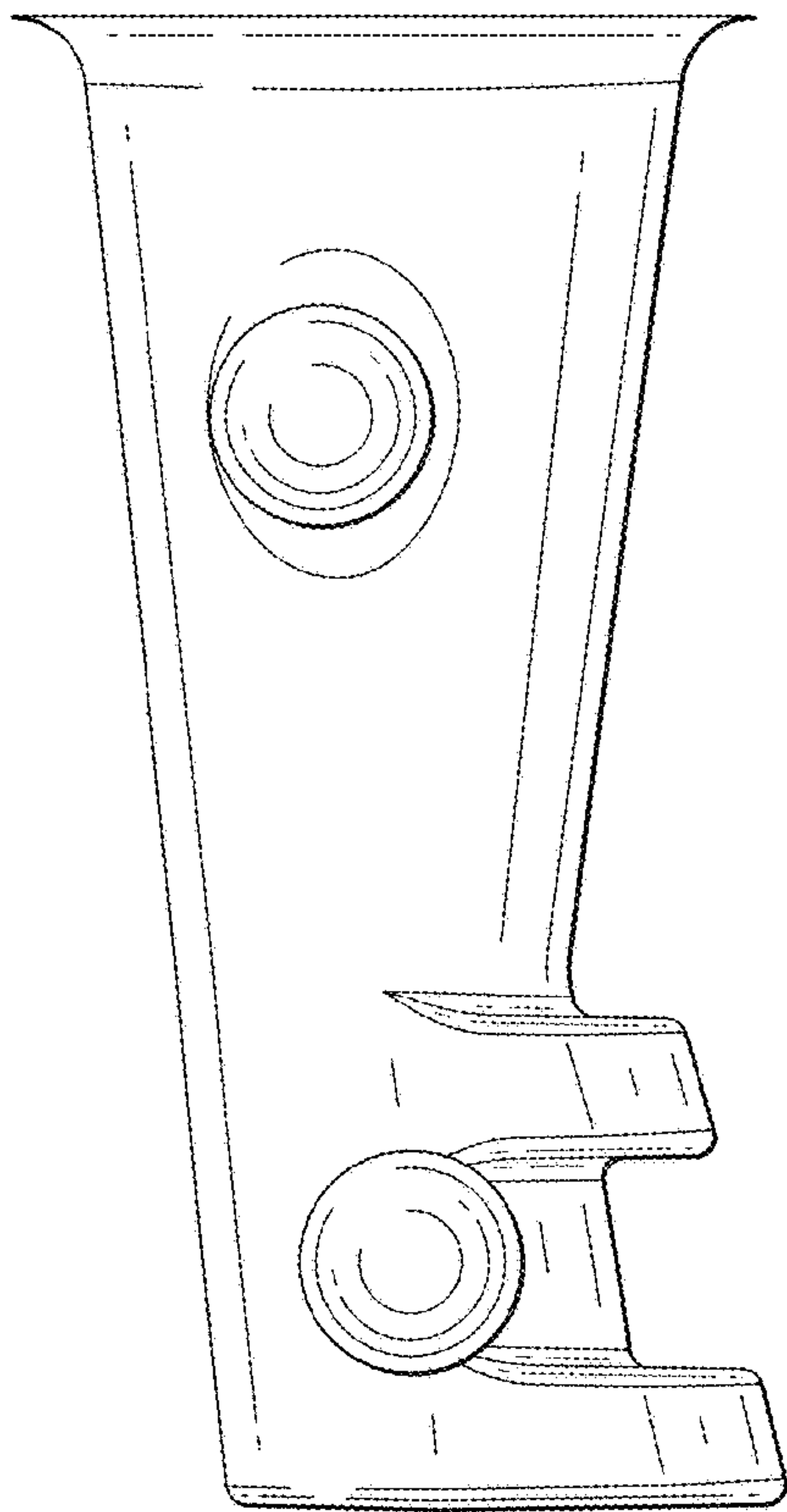


FIG. 4

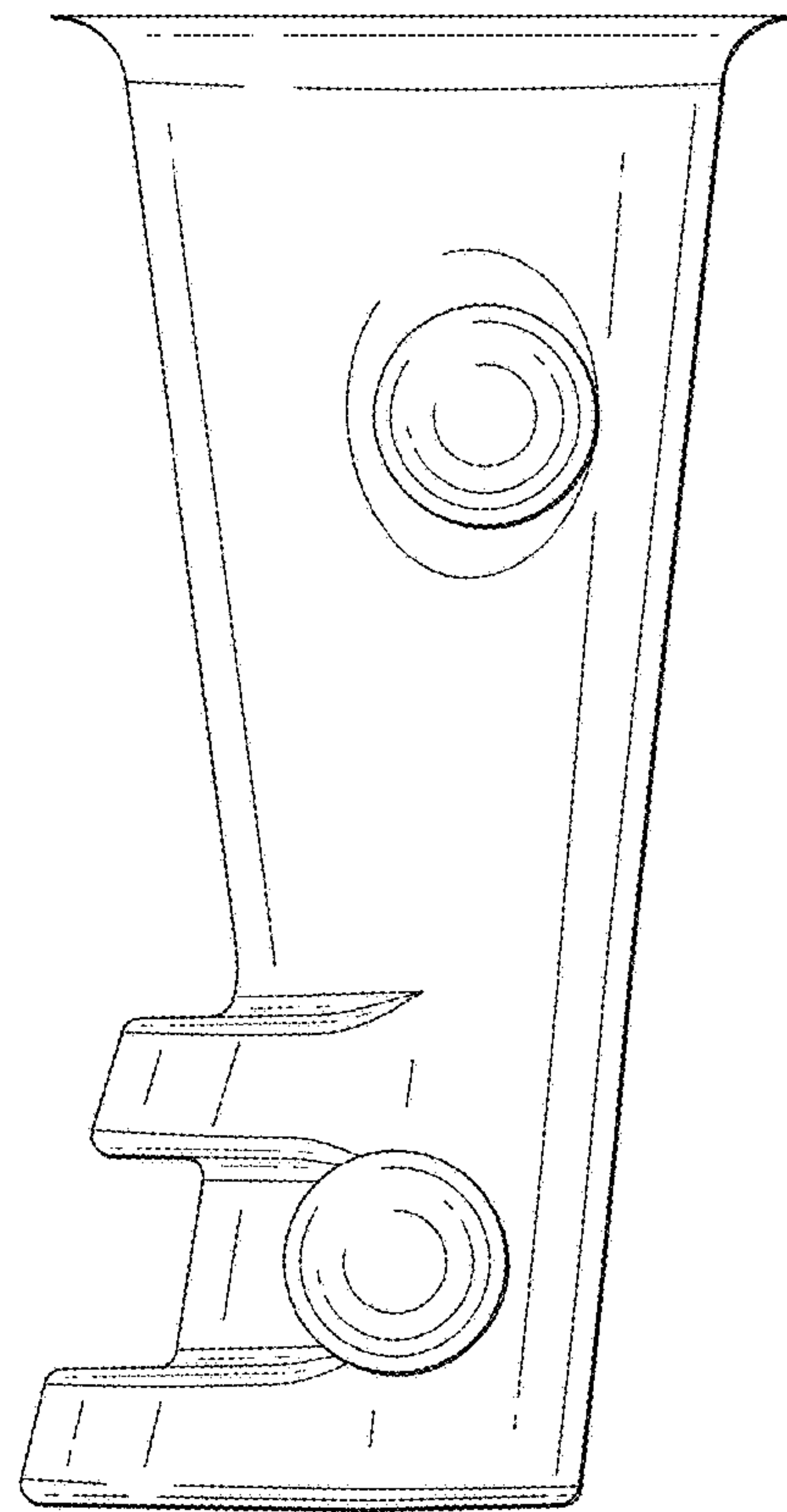


FIG. 5

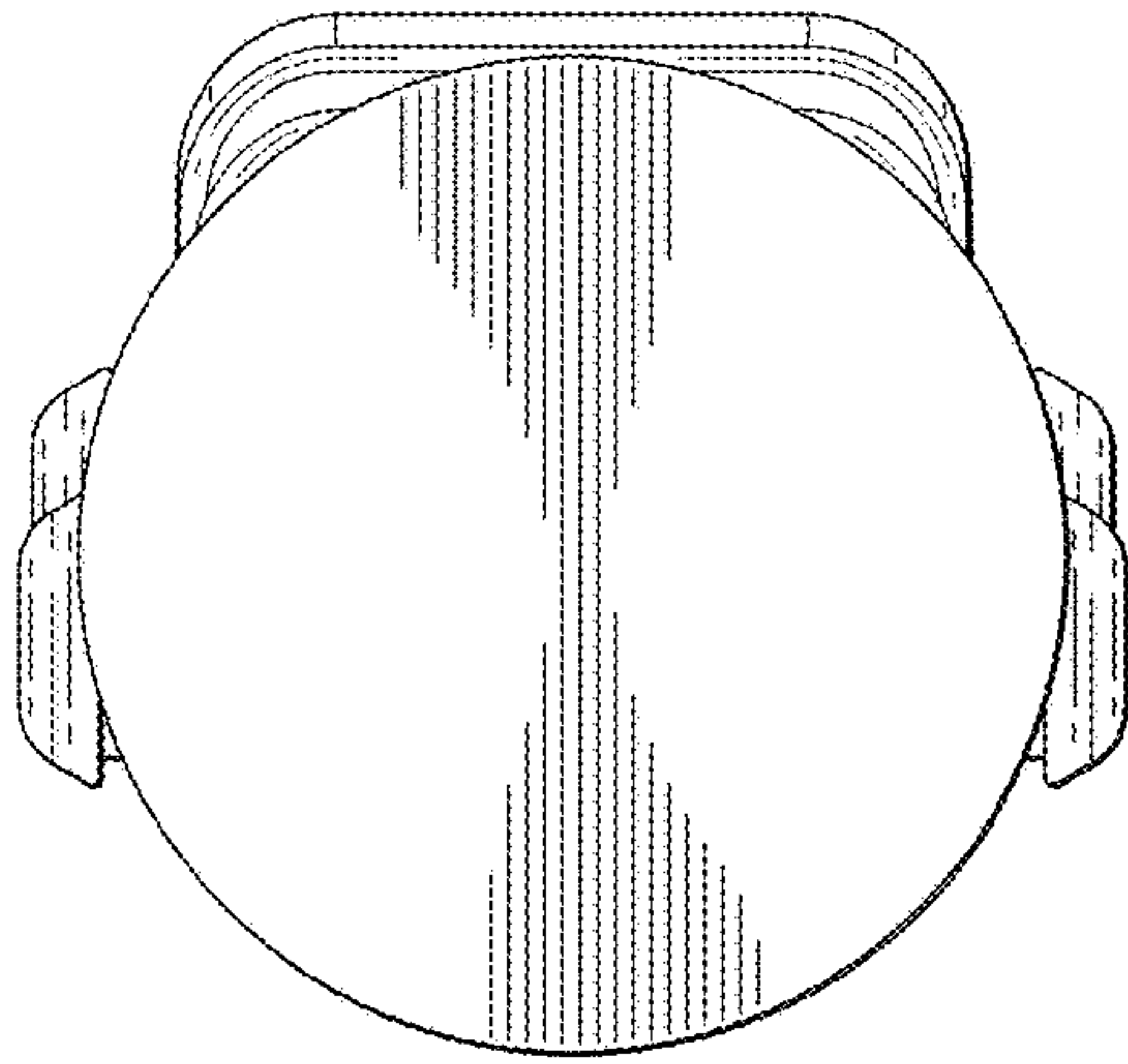


FIG. 6

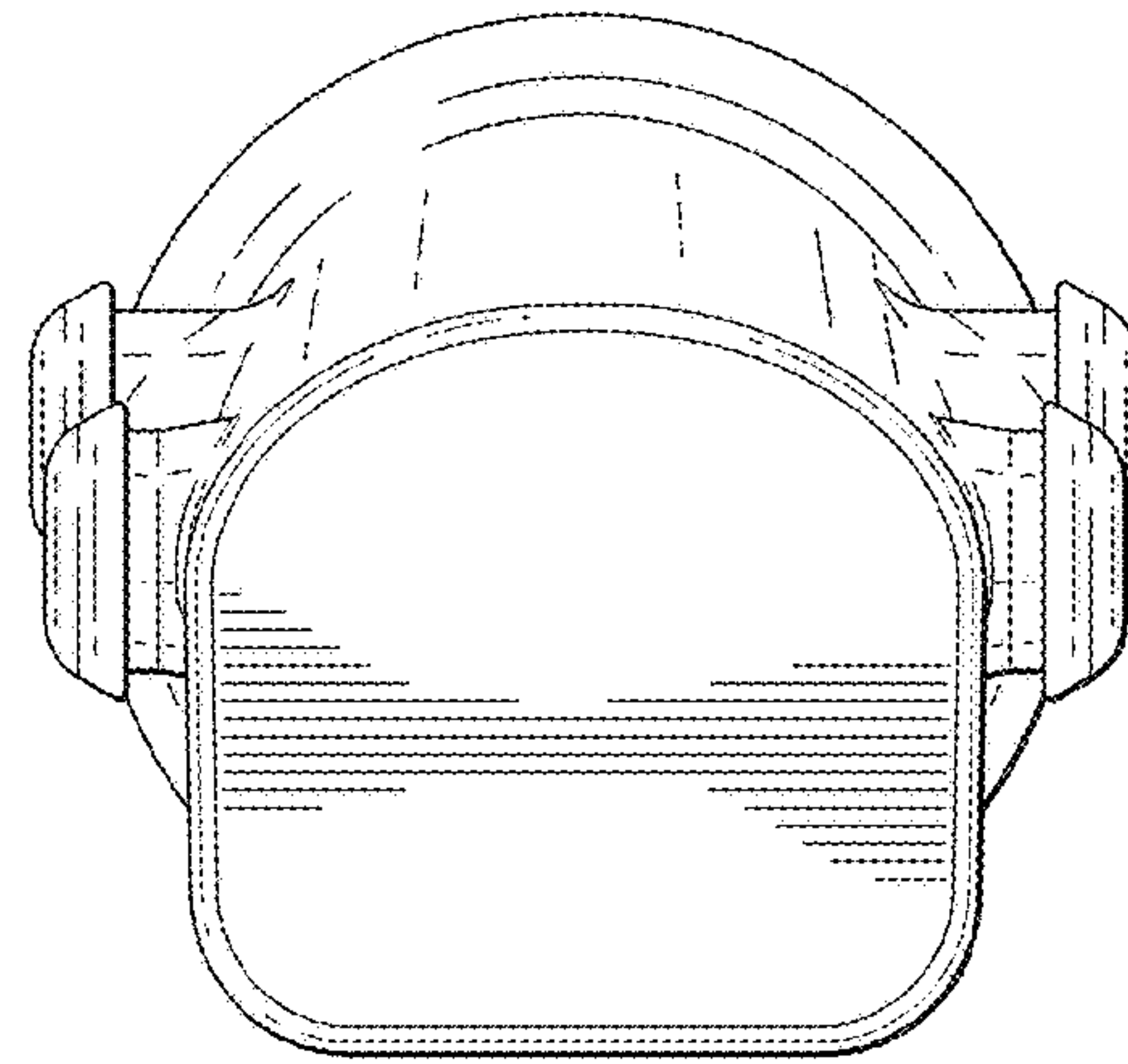


FIG. 7

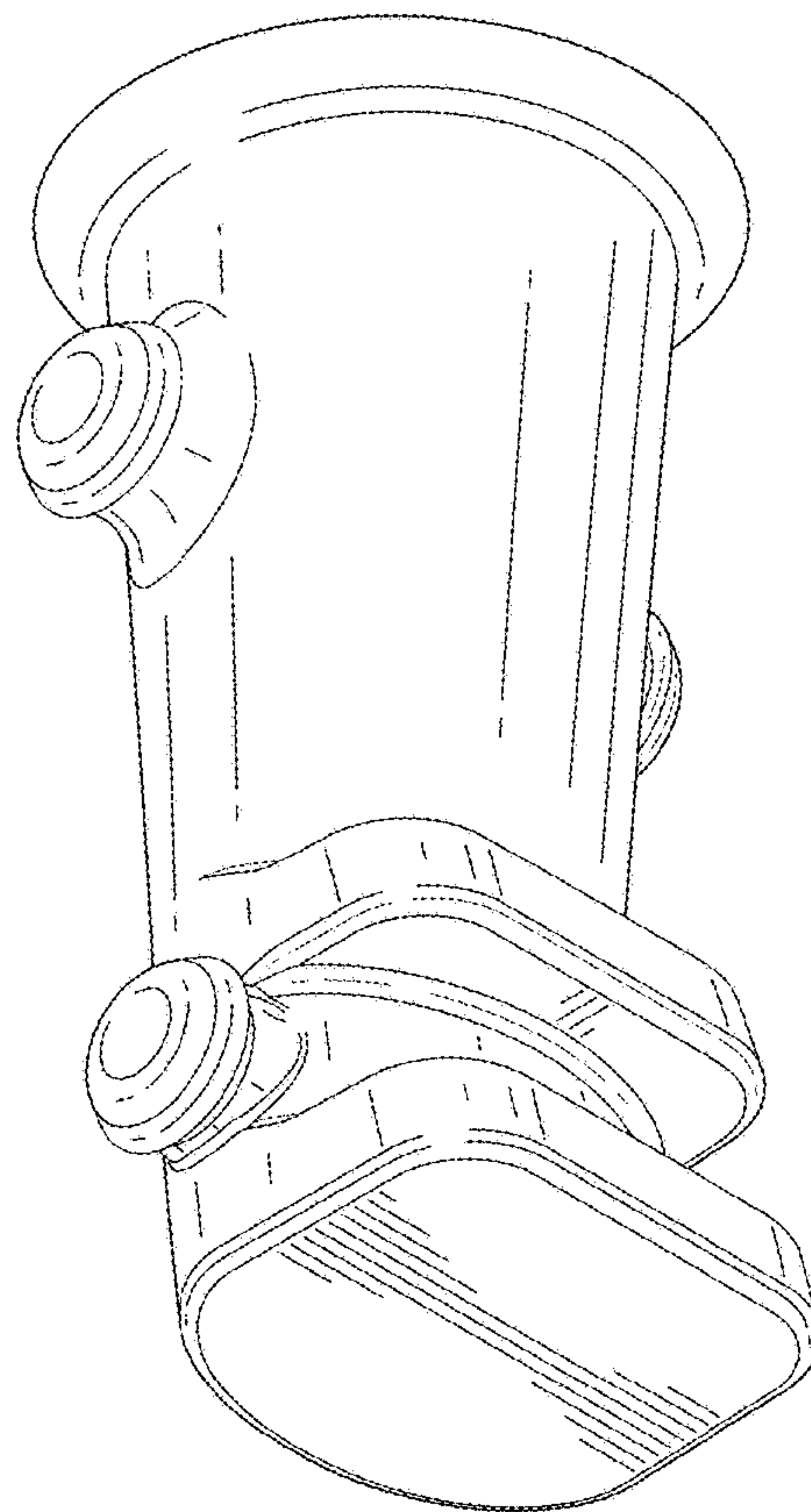


FIG. 8