



US00D852415S

(12) **United States Design Patent** (10) **Patent No.:** **US D852,415 S**
Coulton et al. (45) **Date of Patent:** **** *Jun. 25, 2019**

(54) **HAIR STYLING AND HAIR CARE APPARATUS**

(71) Applicant: **Dyson Technology Limited**, Wiltshire (GB)

(72) Inventors: **Robert Mark Brett Coulton**, Bristol (GB); **Daniel John Thompson**, Bristol (GB); **Andrea Ee-Va Lim**, Bristol (GB); **Peter David Gammack**, Gloucester (GB); **Stephen Benjamin Courtney**, Gloucester (GB); **Alexander Stuart Knox**, Swindon (GB)

(73) Assignee: **Dyson Technology Limited**, Malmesbury, Wiltshire (GB)

(*) Notice: This patent is subject to a terminal disclaimer.

(**) Term: **15 Years**

(21) Appl. No.: **29/627,707**

(22) Filed: **Nov. 29, 2017**

(30) **Foreign Application Priority Data**

May 30, 2017 (EM) 004024024-0002

(51) **LOC (11) Cl.** **28-03**

(52) **U.S. Cl.**
USPC **D28/18**

(58) **Field of Classification Search**
USPC D28/13, 18, 24, 25, 10, 12; 34/96-98; 132/271; 239/135, 128, 270
CPC A45D 20/12; A45D 20/00; A45D 20/10; A45D 20/08
See application file for complete search history.

(56) **References Cited**

U.S. PATENT DOCUMENTS

D256,280 S 8/1980 Haase
D256,846 S 9/1980 Haase

4,232,454 A 11/1980 Springer
D259,665 S * 6/1981 Cousins D28/13
D277,417 S 1/1985 Wistrand
D322,892 S 1/1992 Au
5,157,757 A 10/1992 McDougall
D386,816 S 11/1997 Seifert
D398,073 S 9/1998 Kip
D398,074 S 9/1998 Nosenchuck
D409,796 S 5/1999 Moreno

(Continued)

OTHER PUBLICATIONS

Coulton et al, U.S. Office Action dated Sep. 14, 2018, directed to U.S. Appl. No. 29/627,694; 9 pages.

(Continued)

Primary Examiner — Susan Bennett Hattan
Assistant Examiner — Rebecca Tsehaye
(74) *Attorney, Agent, or Firm* — Morrison & Foerster LLP

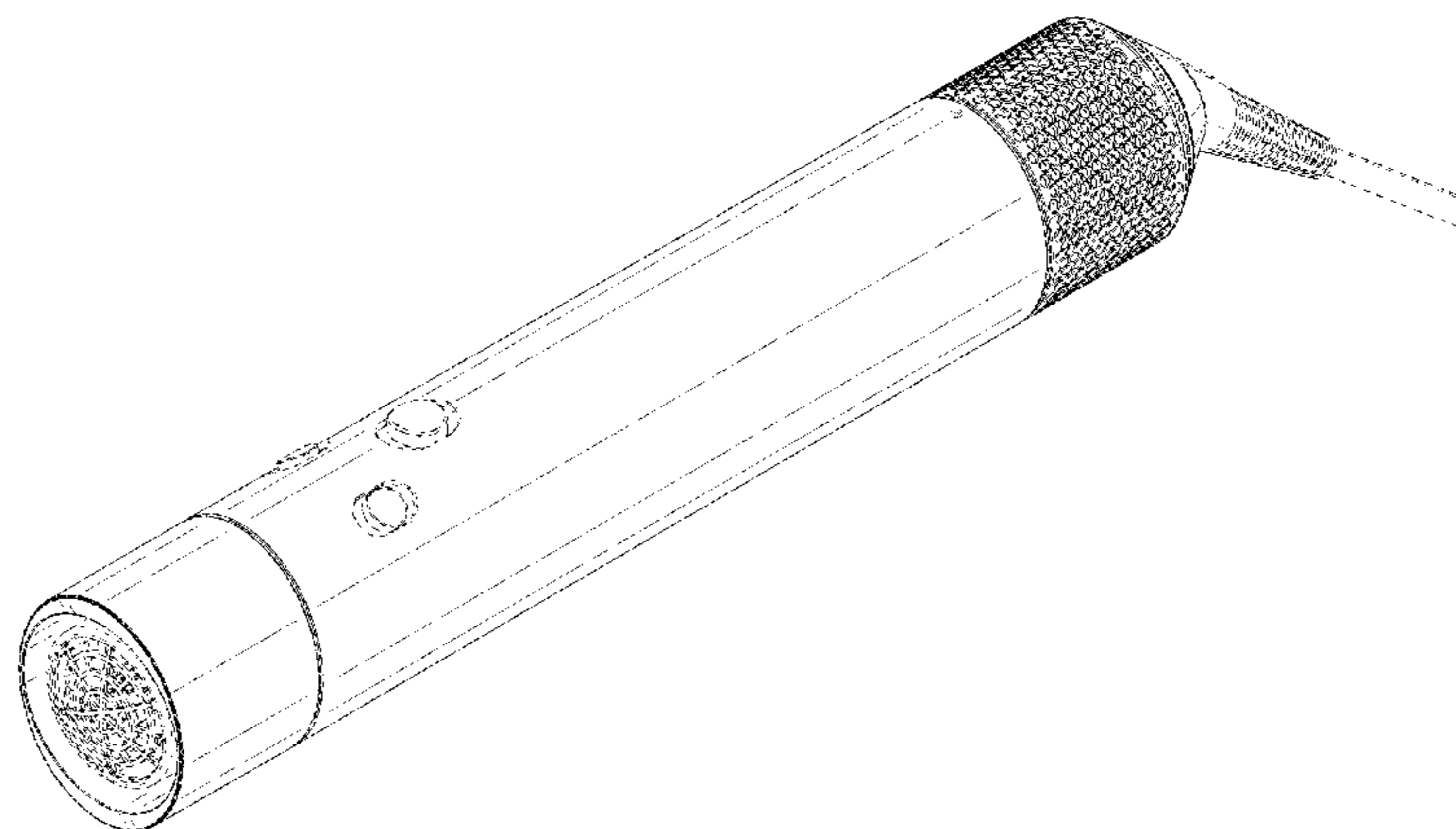
(57) **CLAIM**

We claim the ornamental design for a hair styling and hair care apparatus, as shown and described.

DESCRIPTION

FIG. 1 is a top perspective view of a hair styling and hair care apparatus showing our new design;
FIG. 2 is a bottom perspective view thereof;
FIG. 3 is a side view thereof;
FIG. 4 is a top view thereof;
FIG. 5 is a bottom view thereof;
FIG. 6 is a front view thereof; and,
FIG. 7 is a rear view thereof.
The view opposite the side view of FIG. 3 is a mirror image thereof, and therefore, is omitted.
The broken lines shown in the drawings illustrate portions of a hair styling and hair care apparatus that form no part of the claimed design.

1 Claim, 7 Drawing Sheets



(56)

References Cited

U.S. PATENT DOCUMENTS

D425,663 S 5/2000 Greubel et al.
 D439,012 S 3/2001 McCurrach
 D439,701 S 3/2001 Engelen
 D448,115 S 9/2001 White
 D457,730 S 5/2002 McCurrach
 6,460,272 B2 10/2002 Cheng
 D476,443 S 6/2003 Ohta et al.
 6,662,811 B2 12/2003 Mugge et al.
 D506,030 S 6/2005 Lai
 D510,192 S 10/2005 Kampel et al.
 6,962,159 B1 11/2005 Adam
 7,096,598 B1 8/2006 Myatt
 D557,017 S 12/2007 Kampel et al.
 D609,857 S 2/2010 Schmitz
 D676,600 S 2/2013 Thrasher, Jr.
 D700,018 S 2/2014 Thrash
 D754,313 S 4/2016 Ellis et al.
 D775,418 S 12/2016 Stephens et al.
 D775,419 S 12/2016 Stephens et al.
 D776,345 S 1/2017 Tang
 D782,731 S * 3/2017 Smith D28/13
 D782,732 S * 3/2017 Smith D28/13
 D782,733 S * 3/2017 Smith D28/13
 D782,734 S 3/2017 Sutter et al.
 D790,785 S 6/2017 Courtney et al.
 D791,407 S * 7/2017 Smith D28/13
 D798,502 S 9/2017 Smith et al.
 D800,454 S 10/2017 Mathieu
 9,808,067 B2 * 11/2017 Sutter A45D 20/10
 D810,927 S 2/2018 Ross et al.
 D811,009 S 2/2018 Smith et al.
 D814,130 S 3/2018 Taub
 D815,837 S 4/2018 Zhou
 D817,643 S 5/2018 Valle et al.
 9,986,810 B2 * 6/2018 Bobillier A45D 20/08
 D823,004 S 7/2018 Kuo
 D823,005 S 7/2018 Kuo
 10,021,951 B2 * 7/2018 Bobillier A45D 20/12
 10,028,574 B2 7/2018 Rennette
 2014/0083446 A1 3/2014 Julemont et al.
 2016/0166033 A1 6/2016 Kerr et al.
 2016/0166035 A1 * 6/2016 Douglas A45D 20/12
 2016/0206075 A1 * 7/2016 Stephens A45D 20/12
 2016/0206076 A1 * 7/2016 Stephens A45D 20/10
 2016/0206077 A1 * 7/2016 Stephens A45D 20/12
 2016/0338464 A1 11/2016 Wilkinson et al.
 2016/0338465 A1 11/2016 Wilkinson et al.
 2017/0112256 A1 * 4/2017 Bobillier A45D 20/08
 2017/0164709 A1 * 6/2017 Lavani A45D 20/10
 2017/0273422 A1 9/2017 Heffer et al.
 2017/0273425 A1 9/2017 Stephens et al.
 2017/0273428 A1 9/2017 Nicolson et al.
 2017/0273429 A1 9/2017 Nicolson et al.
 2017/0273431 A1 9/2017 Courtney et al.
 2018/0055181 A1 * 3/2018 Spark A45D 2/24
 2018/0055184 A1 * 3/2018 McVeigh A45D 20/12

OTHER PUBLICATIONS

Coulton et al., U.S. Office Action dated Aug. 31, 2018, directed to U.S. Appl. No. 29/627,665; 8 pages.
 Coulton et al., U.S. Office Action dated Aug. 8, 2018, directed to U.S. Appl. No. 29/627,693; 9 pages.
 Coulton et al., U.S. Office Action dated Oct. 30, 2018, directed to U.S. Appl. No. 29/627,739; 7 pages.
 Coulton et al., U.S. Office Action dated Oct. 30, 2018, directed to U.S. Appl. No. 29/627,749; 7 pages.
 Coulton et al., U.S. Office Action dated Oct. 30, 2018, directed to U.S. Appl. No. 29/627,752; 7 pages.
 Coulton et al., U.S. Office Action dated Oct. 30, 2018, directed to

U.S. Appl. No. 29/627,754; 7 pages.
 Coulton et al., U.S. Office Action dated Oct. 30, 2018, directed to U.S. Appl. No. 29/627,773; 8 pages.
 Coulton et al., U.S. Office Action dated Sep. 10, 2018, directed to U.S. Appl. No. 29/627,690; 7 pages.
 Heffer et al., U.S. Office Action dated Aug. 16, 2018, directed to U.S. Appl. No. 29/627,688; 8 pages.
 Heffer et al., U.S. Office Action dated Aug. 16, 2018, directed to U.S. Appl. No. 29/627,712; 8 pages.
 Heffer et al., U.S. Office Action dated Aug. 16, 2018, directed to U.S. Appl. No. 29/627,713; 8 pages.
 Heffer et al., U.S. Office Action dated Aug. 16, 2018, directed to U.S. Appl. No. 29/627,730; 8 pages.
 Tappenden et al., U.S. Office Action dated Oct. 17, 2018, directed to U.S. Appl. No. 29/627,727; 6 pages.
 Tappenden et al., U.S. Office Action dated Aug. 8, 2018, directed to U.S. Appl. No. 29/627,660; 7 pages.
 Tappenden et al., U.S. Office Action dated Aug. 8, 2018, directed to U.S. Appl. No. 29/627,664; 7 pages.
 Tappenden et al., U.S. Office Action dated Aug. 8, 2018, directed to U.S. Appl. No. 29/627,668; 7 pages.
 Tappenden et al., U.S. Office Action dated Aug. 8, 2018, directed to U.S. Appl. No. 29/627,671; 7 pages.
 Tappenden et al., U.S. Office Action dated Aug. 8, 2018, directed to U.S. Appl. No. 29/627,673; 7 pages.
 Tappenden et al., U.S. Office Action dated Aug. 8, 2018, directed to U.S. Appl. No. 29/627,677; 7 pages.
 Tappenden et al., U.S. Office Action dated Aug. 8, 2018, directed to U.S. Appl. No. 29/627,678; 7 pages.
 Tappenden et al., U.S. Office Action dated Aug. 8, 2018, directed to U.S. Appl. No. 29/627,714; 7 pages.
 Tappenden et al., U.S. Office Action dated Nov. 14, 2018, directed to U.S. Appl. No. 29/627,741; 7 pages.
 Tappenden et al., U.S. Office Action dated Nov. 14, 2018, directed to U.S. Appl. No. 29/627,742; 7 pages.
 Tappenden et al., U.S. Office Action dated Nov. 14, 2018, directed to U.S. Appl. No. 29/627,743; 7 pages.
 Tappenden et al., U.S. Office Action dated Nov. 14, 2018, directed to U.S. Appl. No. 29/627,744; 7 pages.
 Tappenden et al., U.S. Office Action dated Oct. 1, 2018, directed to U.S. Appl. No. 29/627,717; 6 pages.
 Tappenden et al., U.S. Office Action dated Oct. 17, 2018, directed to U.S. Appl. No. 29/627,723; 6 pages.
 Tappenden et al., U.S. Office Action dated Oct. 17, 2018, directed to U.S. Appl. No. 29/627,731; 6 pages.
 Tappenden et al., U.S. Office Action dated Oct. 17, 2018, directed to U.S. Appl. No. 29/627,733; 6 pages.
 Tappenden et al., U.S. Office Action dated Oct. 17, 2018, directed to U.S. Appl. No. 29/627,734; 6 pages.
 Tappenden et al., U.S. Office Action dated Oct. 17, 2018, directed to U.S. Appl. No. 29/627,735; 6 pages.
 Tappenden et al., U.S. Office Action dated Sep. 27, 2018, directed to U.S. Appl. No. 29/627,700; 6 pages.
 Tappenden et al., U.S. Office Action dated Sep. 27, 2018, directed to U.S. Appl. No. 29/627,702; 6 pages.
 Tappenden et al., U.S. Office Action dated Sep. 27, 2018, directed to U.S. Appl. No. 29/627,705; 6 pages.
 Tappenden et al., U.S. Office Action dated Sep. 27, 2018, directed to U.S. Appl. No. 29/627,706; 6 pages.
 Tappenden et al., U.S. Office Action dated Sep. 27, 2018, directed to U.S. Appl. No. 29/627,710; 6 pages.
 Tappenden et al., U.S. Office Action dated Sep. 27, 2018, directed to U.S. Appl. No. 29/627,724; 6 pages.
 Tappenden et al., U.S. Office Action dated Sep. 27, 2018, directed to U.S. Appl. No. 29/627,725; 6 pages.
 Tappenden et al., U.S. Office Action dated Sep. 27, 2018, directed to U.S. Appl. No. 29/627,726; 6 pages.
 Tappenden et al., U.S. Office Action dated Sep. 28, 2018, directed to U.S. Appl. No. 29/627,719; 6 pages.

* cited by examiner

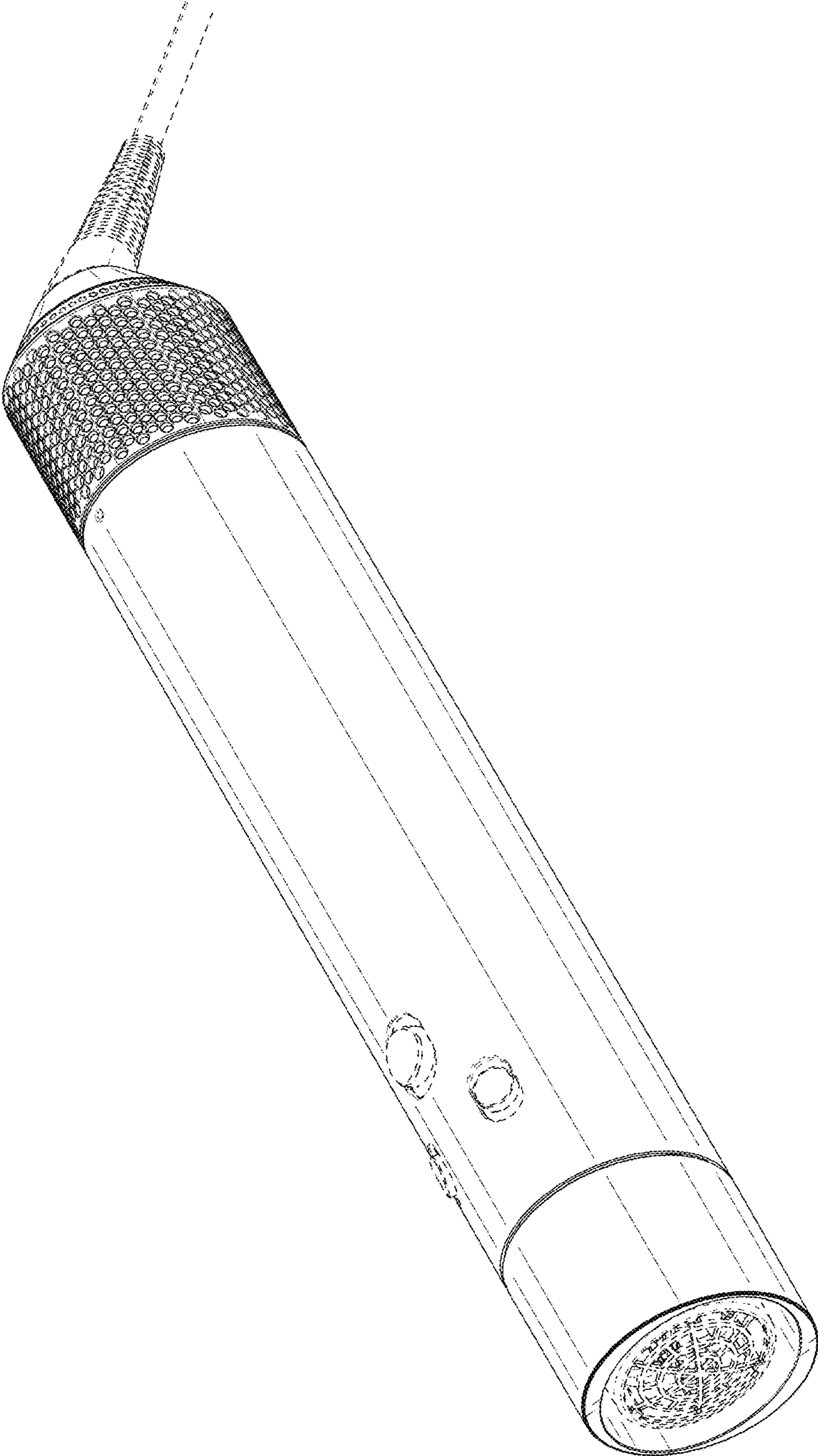


FIG. 1

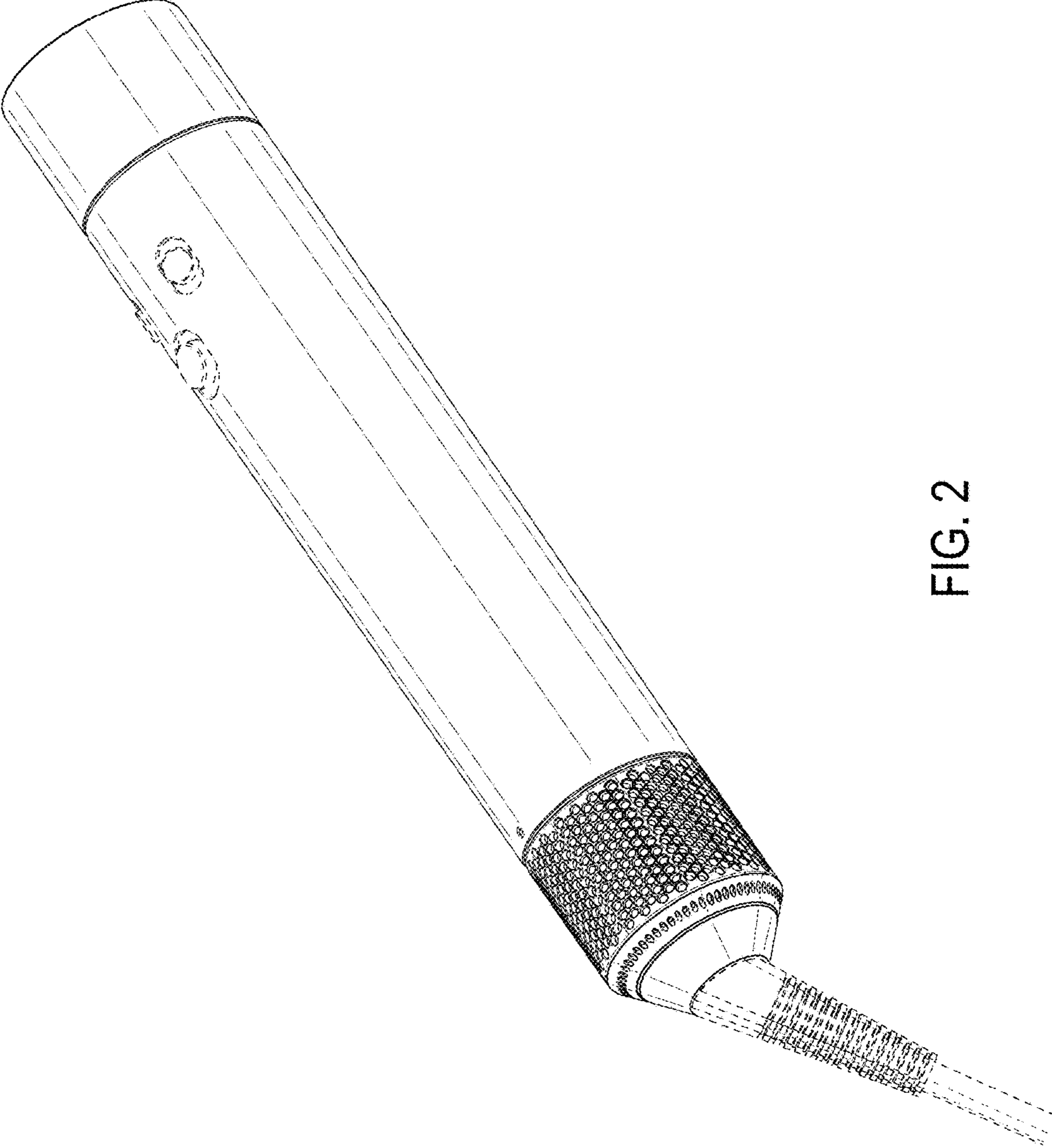


FIG. 2

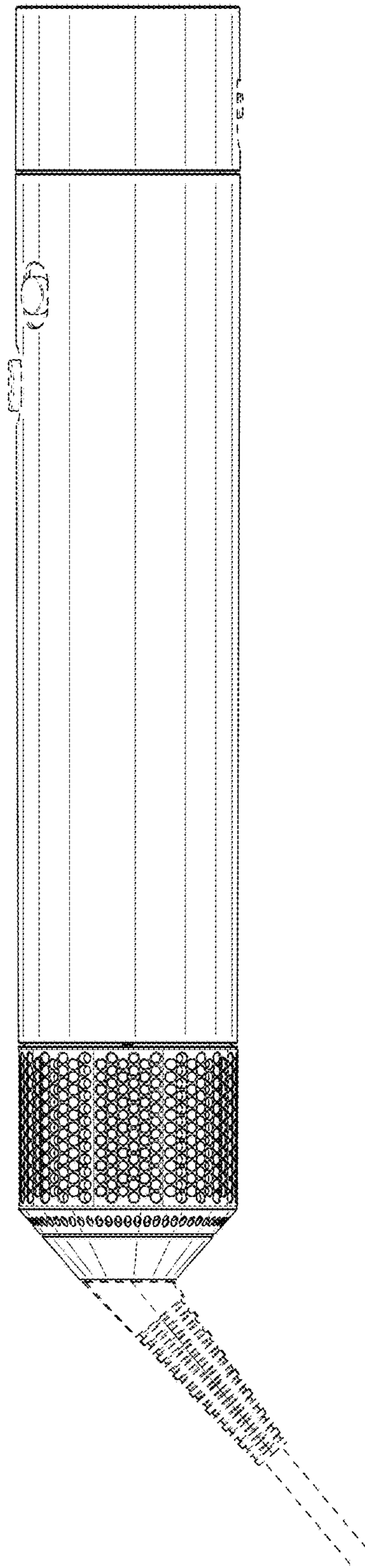


FIG. 3

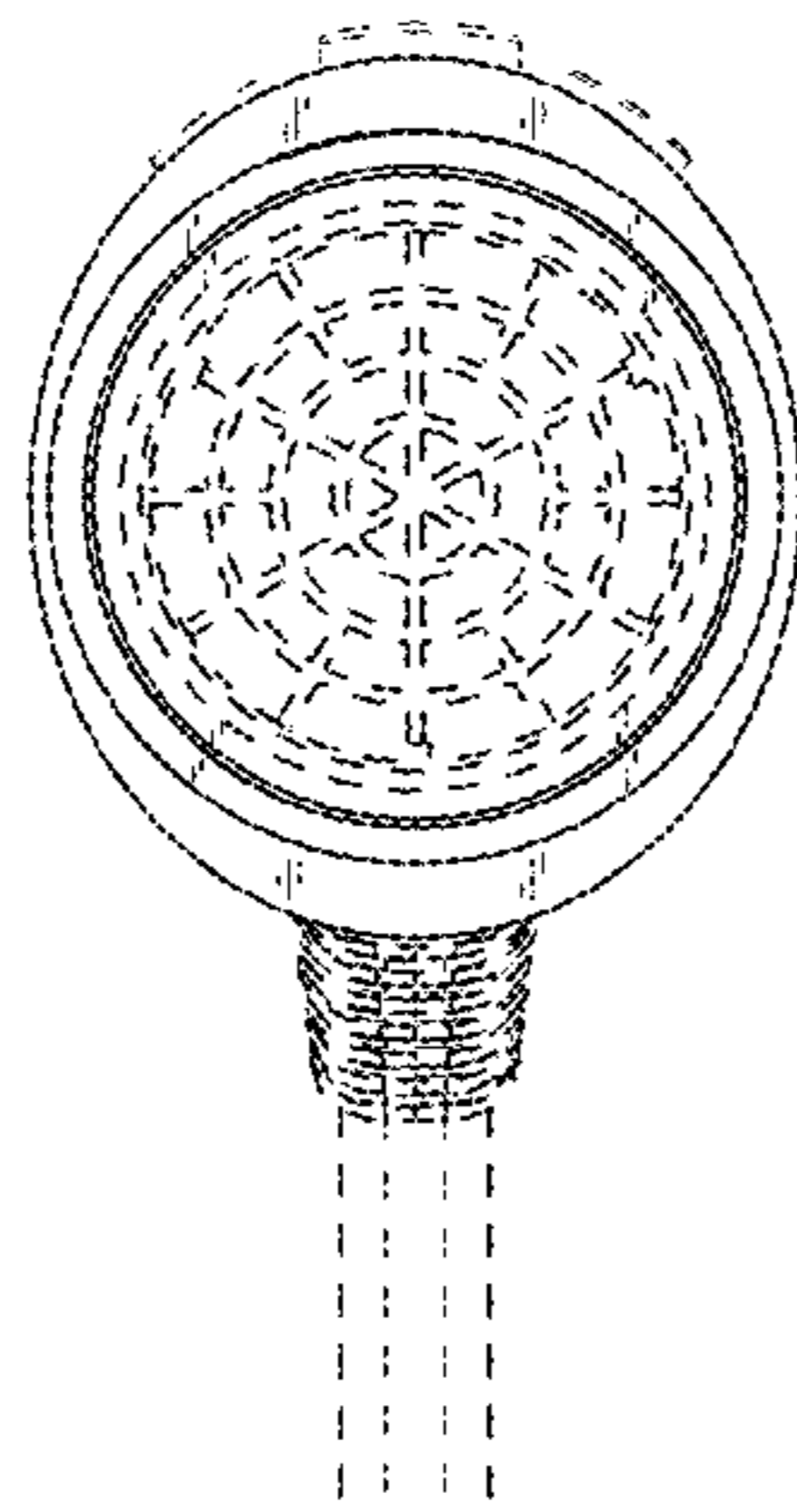


FIG. 4

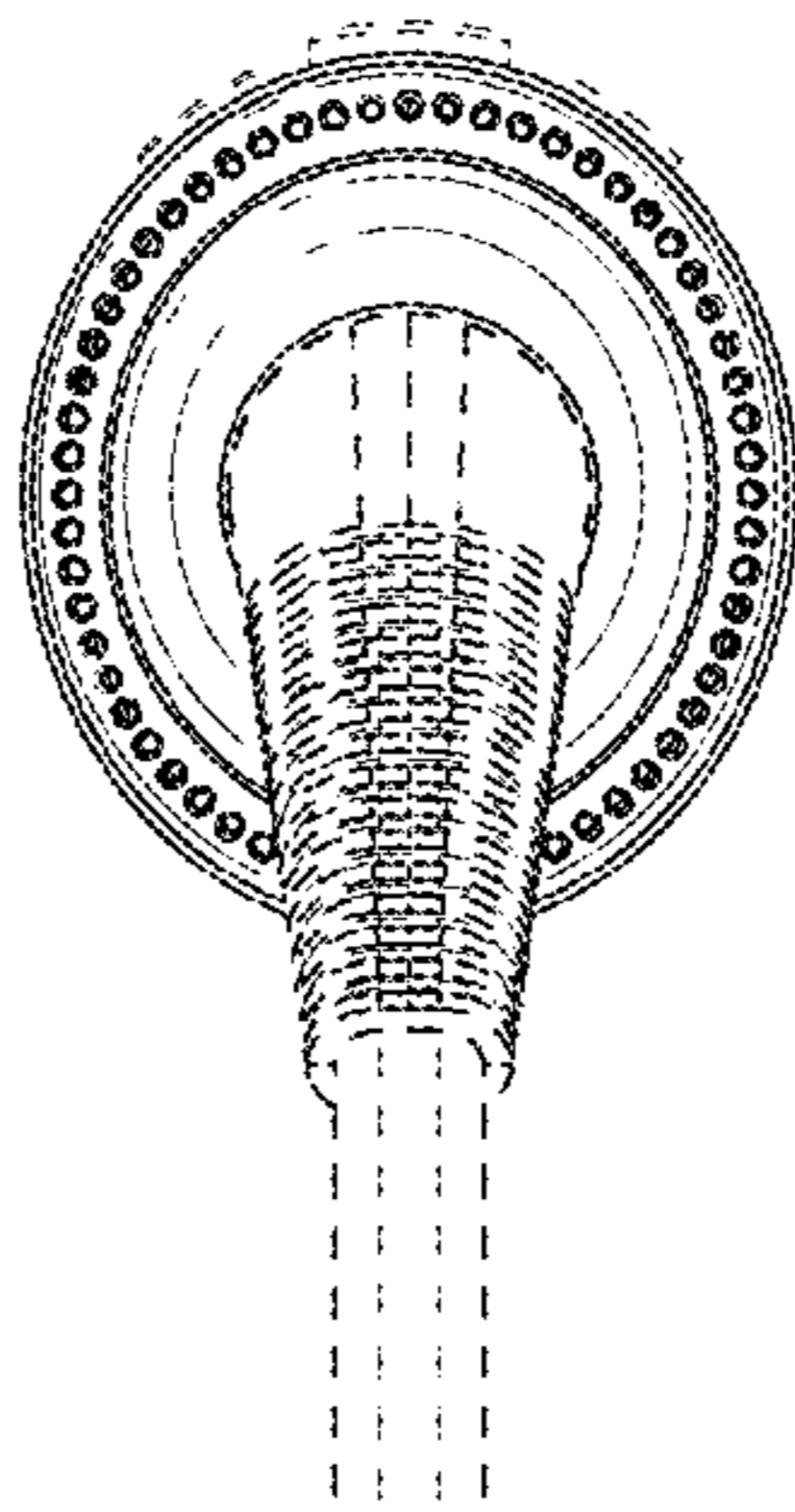


FIG. 5

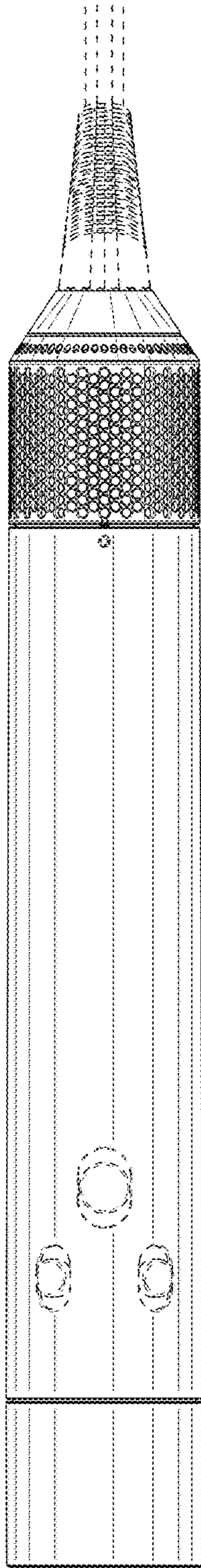


FIG. 6

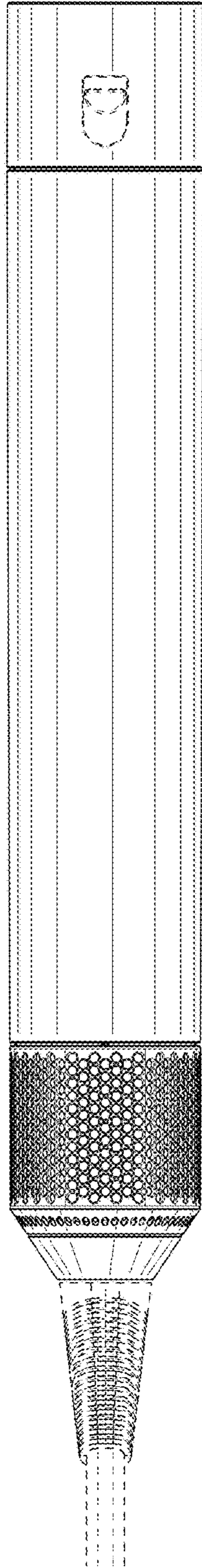


FIG. 7