



US00D852413S

(12) **United States Design Patent**
Staab

(10) **Patent No.:** **US D852,413 S**
(45) **Date of Patent:** **** Jun. 25, 2019**

(54) **COSMETIC SPATULA**

(71) Applicant: **Mary Kay Inc.**, Addison, TX (US)

(72) Inventor: **Jenny DeMarco Staab**, Frisco, TX (US)

(73) Assignee: **Mary Kay Inc.**, Addison, TX (US)

(**) Term: **15 Years**

(21) Appl. No.: **29/629,987**

(22) Filed: **Dec. 18, 2017**

(51) **LOC (11) Cl.** **28-02**

(52) **U.S. Cl.**
USPC **D28/7**

(58) **Field of Classification Search**
USPC D28/7, 9, 4; D7/401.2, 653, 662, 663,
D7/688; D24/136; 30/343, 340; 294/7,
294/8, 49; 600/240, 241
CPC A47J 43/288; A47J 43/28
See application file for complete search history.

(56) **References Cited**

U.S. PATENT DOCUMENTS

D121,614 S	7/1940	Kaltenbach
D190,067 S	4/1961	Reedy
D197,107 S	12/1963	Forgue
D205,173 S	6/1966	Hart
D211,656 S	7/1968	Uldall

(Continued)

FOREIGN PATENT DOCUMENTS

CN	303781760 S	8/1916
CN	301396346 S	11/2010

(Continued)

Primary Examiner — Susan Bennett Hattan

Assistant Examiner — Rebecca Tsehaye

(74) *Attorney, Agent, or Firm* — Norton Rose Fulbright
US LLP

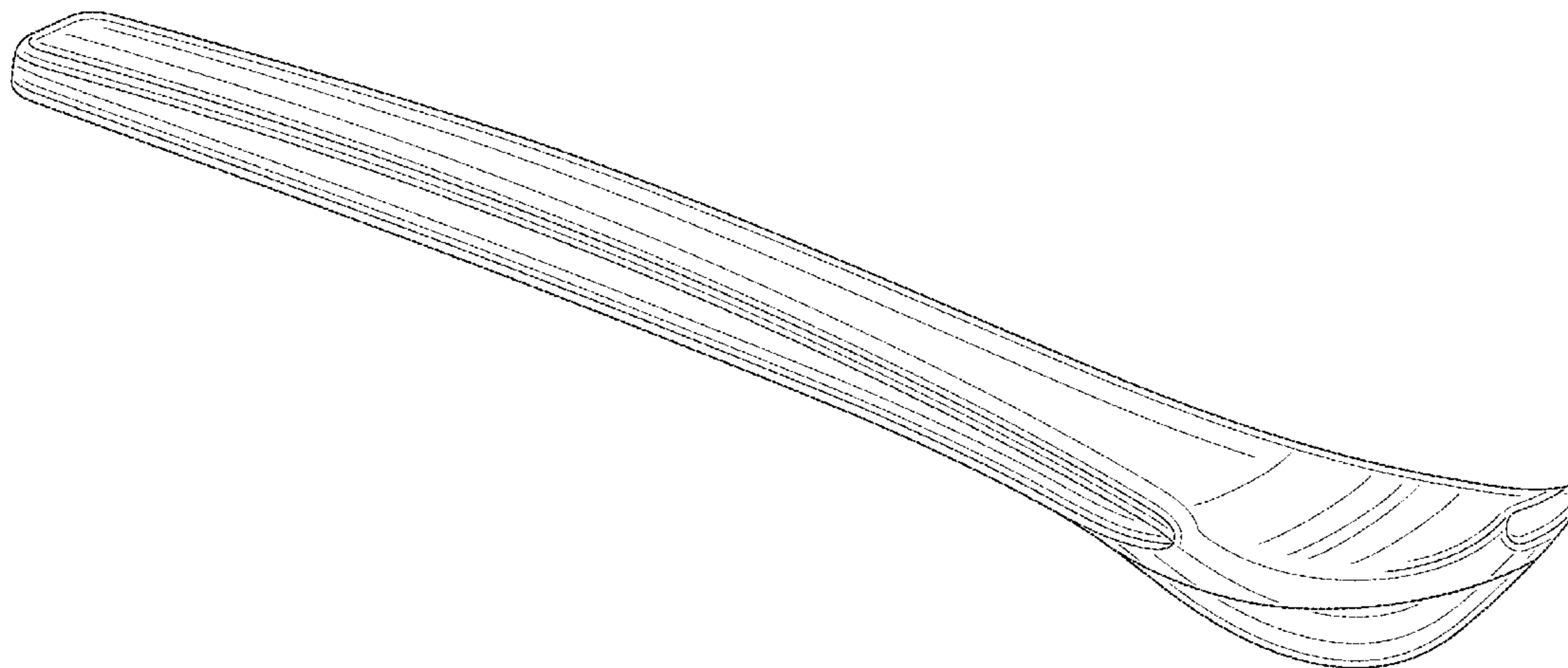
(57) **CLAIM**

The ornamental design for a cosmetic spatula, as shown and described.

DESCRIPTION

FIG. 1 is a top perspective view of a first embodiment of a cosmetic spatula;
 FIG. 2 is a bottom perspective view of the cosmetic spatula shown in FIG. 1;
 FIG. 3 is a front view of the cosmetic spatula shown in FIG. 1;
 FIG. 4 is a back view of the cosmetic spatula shown in FIG. 1;
 FIG. 5 is a right side view of the cosmetic spatula shown in FIG. 1;
 FIG. 6 is a left side view of the cosmetic spatula shown in FIG. 1;
 FIG. 7 is a top view of the cosmetic spatula shown in FIG. 1;
 FIG. 8 is a bottom view of the cosmetic spatula shown in FIG. 1;
 FIG. 9 is a top perspective view of a second embodiment of a cosmetic spatula having “Mary Kay” embossed on a top surface;
 FIG. 10 is a bottom perspective view of the cosmetic spatula shown in FIG. 9;
 FIG. 11 is a front view of the cosmetic spatula shown in FIG. 9;
 FIG. 12 is a back view of the cosmetic spatula shown in FIG. 9;
 FIG. 13 is a right side view of the cosmetic spatula shown in FIG. 9;
 FIG. 14 is a left side view of the cosmetic spatula shown in FIG. 9;
 FIG. 15 is a top view of the cosmetic spatula shown in FIG. 9; and,
 FIG. 16 is a bottom view of the cosmetic spatula shown in FIG. 9.

1 Claim, 14 Drawing Sheets



(56)

References Cited

U.S. PATENT DOCUMENTS

D234,017 S 12/1974 Christian et al.
 D254,935 S 5/1980 Staudinger
 D260,560 S 9/1981 Flower
 D272,661 S 2/1984 Cutler
 D273,238 S 3/1984 Taylor et al.
 D286,576 S 11/1986 Schneider et al.
 D289,564 S 4/1987 Harford
 D299,975 S 2/1989 Boyer
 D307,331 S 4/1990 Pflieger
 D326,033 S 5/1992 Friederichs
 D352,130 S * 11/1994 Zierhut 401/208
 D371,219 S * 6/1996 Bouchez D28/7
 D381,765 S * 7/1997 Mandigo D28/63
 D387,480 S * 12/1997 Esraelian D28/63
 D387,629 S 12/1997 Thierry
 D422,851 S 4/2000 Jorgensen
 D429,123 S * 8/2000 Liu D7/653
 D469,322 S 1/2003 Jorgensen
 D478,788 S 8/2003 Moore et al.
 D491,419 S 6/2004 White et al.
 D496,230 S 9/2004 Germany
 D496,231 S 9/2004 Germany
 D498,989 S 11/2004 White et al.
 D509,024 S 8/2005 Pimentel
 D510,685 S 10/2005 Guzzini
 D516,392 S 3/2006 de Vries
 D538,975 S 3/2007 Montoli
 D541,979 S 5/2007 Montoli
 D543,798 S 6/2007 Lion et al.
 D544,317 S 6/2007 Shane-Schuldt
 D544,644 S 6/2007 Harstock et al.
 D552,431 S 10/2007 Chou
 D561,540 S 2/2008 Rhodes, II
 D561,640 S 2/2008 Weiser
 D563,737 S 3/2008 Shane-Schuldt
 D584,927 S 1/2009 Vendl et al.
 D586,630 S 2/2009 Vendl et al.
 D587,075 S 2/2009 Dibnah et al.
 D595,098 S 6/2009 Lion et al.
 D614,347 S 4/2010 Uehara et al.
 D617,156 S * 6/2010 Griffith D7/688

D628,741 S 12/2010 Uehara et al.
 D633,650 S 3/2011 Uehara et al.
 D633,758 S 3/2011 Lion et al.
 D638,985 S 5/2011 Limongi
 D638,986 S 5/2011 Limongi et al.
 D638,987 S 5/2011 Limongi et al.
 D638,988 S 5/2011 Limongi et al.
 D638,989 S 5/2011 Limongi et al.
 D638,990 S 5/2011 Limongi et al.
 D638,991 S 5/2011 Limongi et al.
 D661,017 S 5/2012 Ahn
 D670,978 S 11/2012 Ogata
 D673,820 S 1/2013 Batchelder
 D677,129 S 3/2013 Genatossio et al.
 D689,345 S 9/2013 Genatossio et al.
 D703,495 S 4/2014 Hoyord et al.
 D705,019 S 5/2014 Hardy et al.
 D706,586 S 6/2014 Kestenbaum
 D729,977 S 5/2015 Pires et al.
 D732,734 S 6/2015 Poletto
 D735,406 S 7/2015 Poletto
 D739,685 S 9/2015 Miksovsky et al.
 D745,339 S 12/2015 Cetti
 D746,644 S 1/2016 Cai
 D750,837 S 3/2016 Gast et al.
 D754,395 S * 4/2016 Yeo D28/7
 D759,258 S * 6/2016 Staab D24/211
 D779,117 S 2/2017 Staab
 D785,238 S 4/2017 Silva
 D787,693 S 5/2017 Matsushita
 D787,743 S 5/2017 Rosenthal
 D791,556 S 7/2017 Mateus et al.
 D796,916 S 9/2017 McFarland et al.
 D812,295 S * 3/2018 Staab D28/7
 D825,104 S * 8/2018 Simard D28/7

FOREIGN PATENT DOCUMENTS

CN 301778710 S 12/2011
 CN 302958522 S 10/2014
 CN 303162134 S 4/2015
 KR 30-0326156 5/2003
 KR 30-0633613 2/2012

* cited by examiner

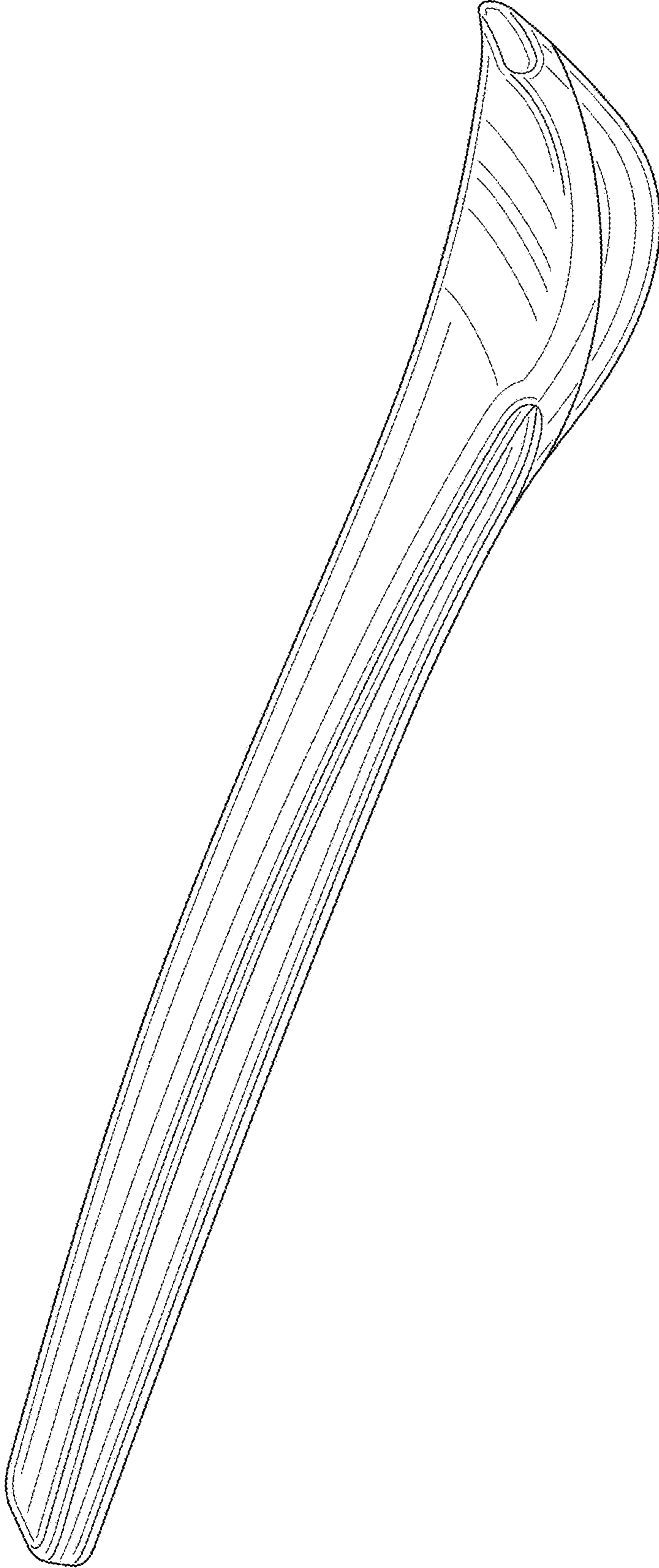


FIG. 1

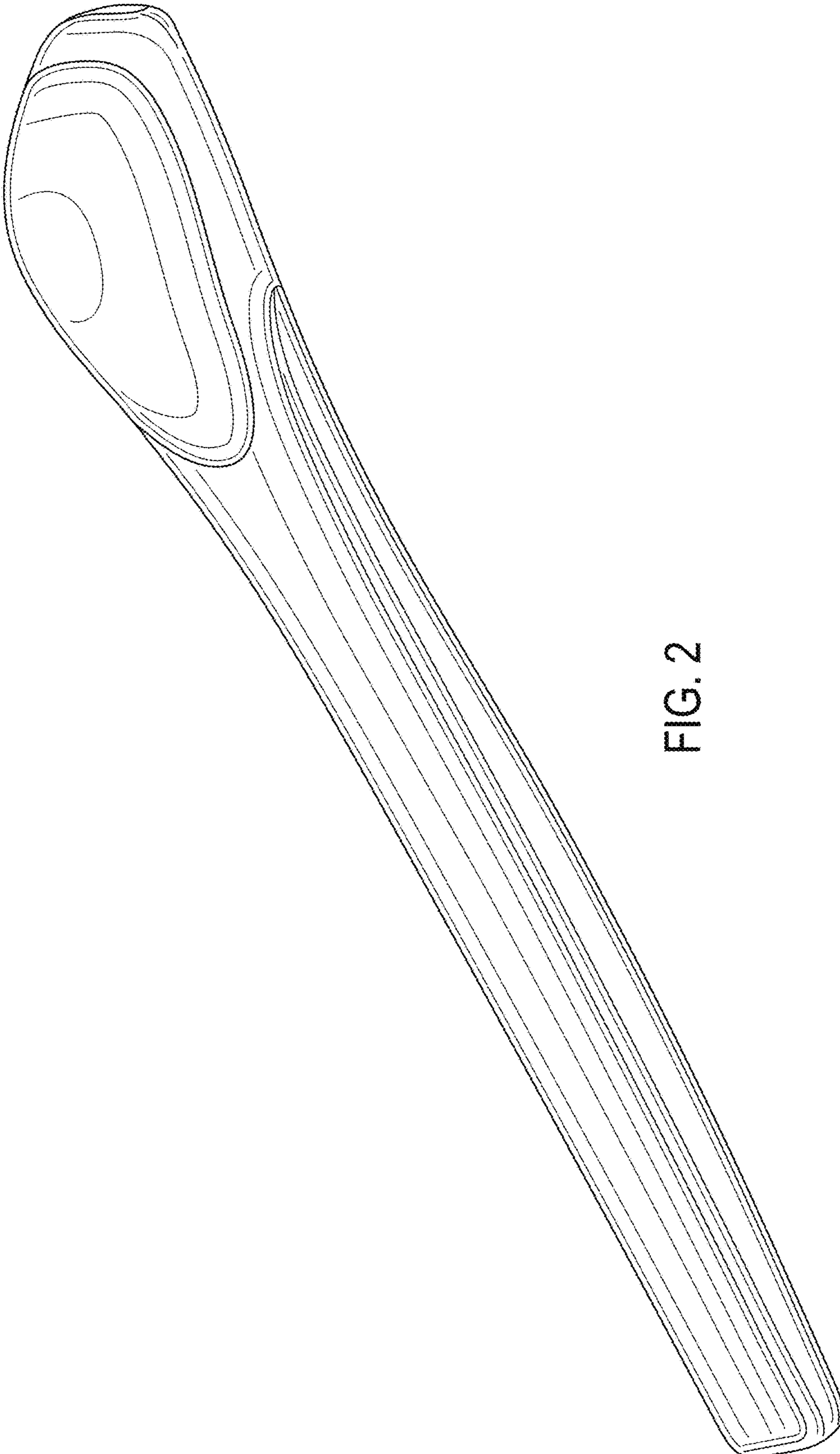


FIG. 2

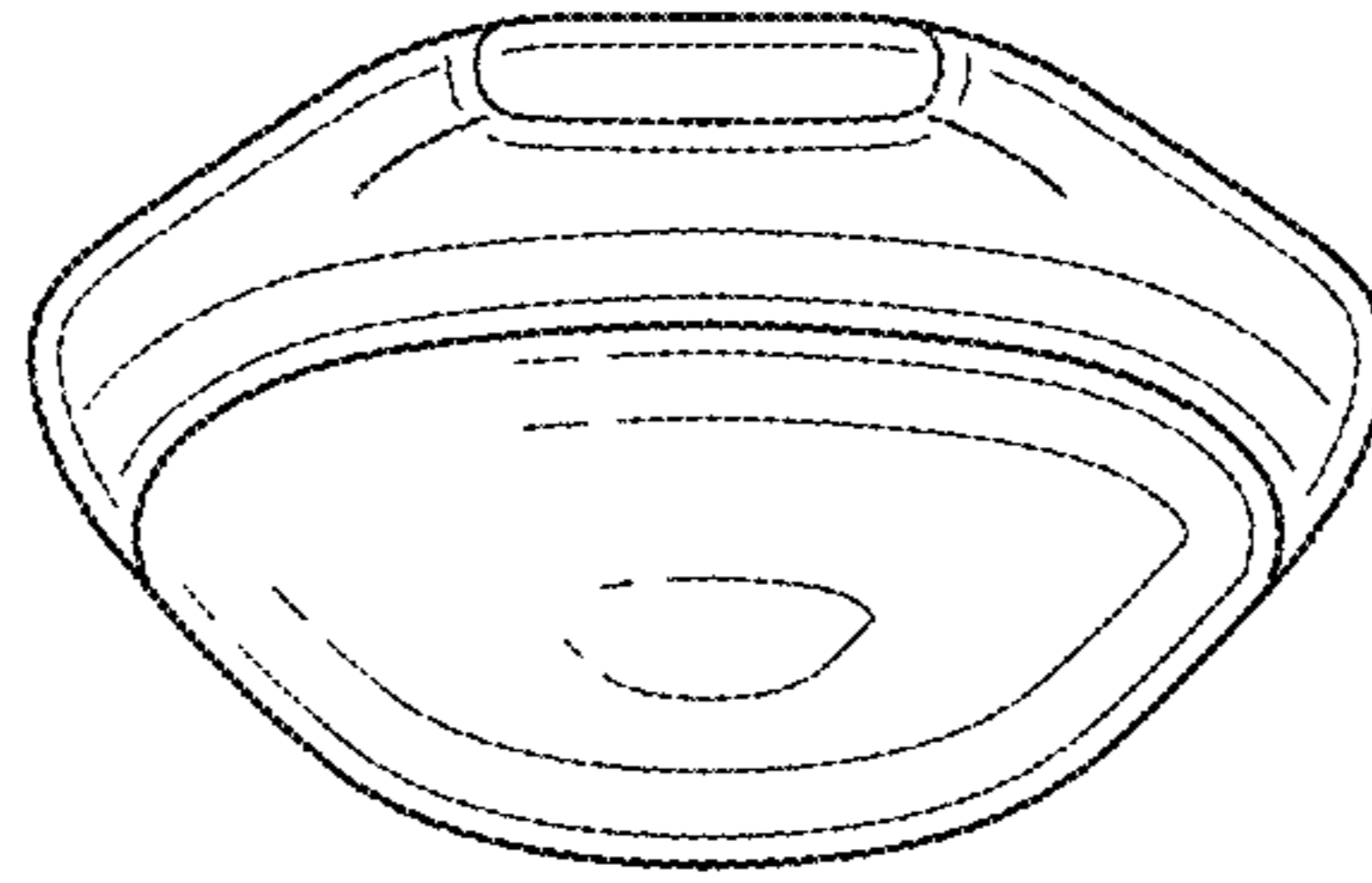


FIG. 3

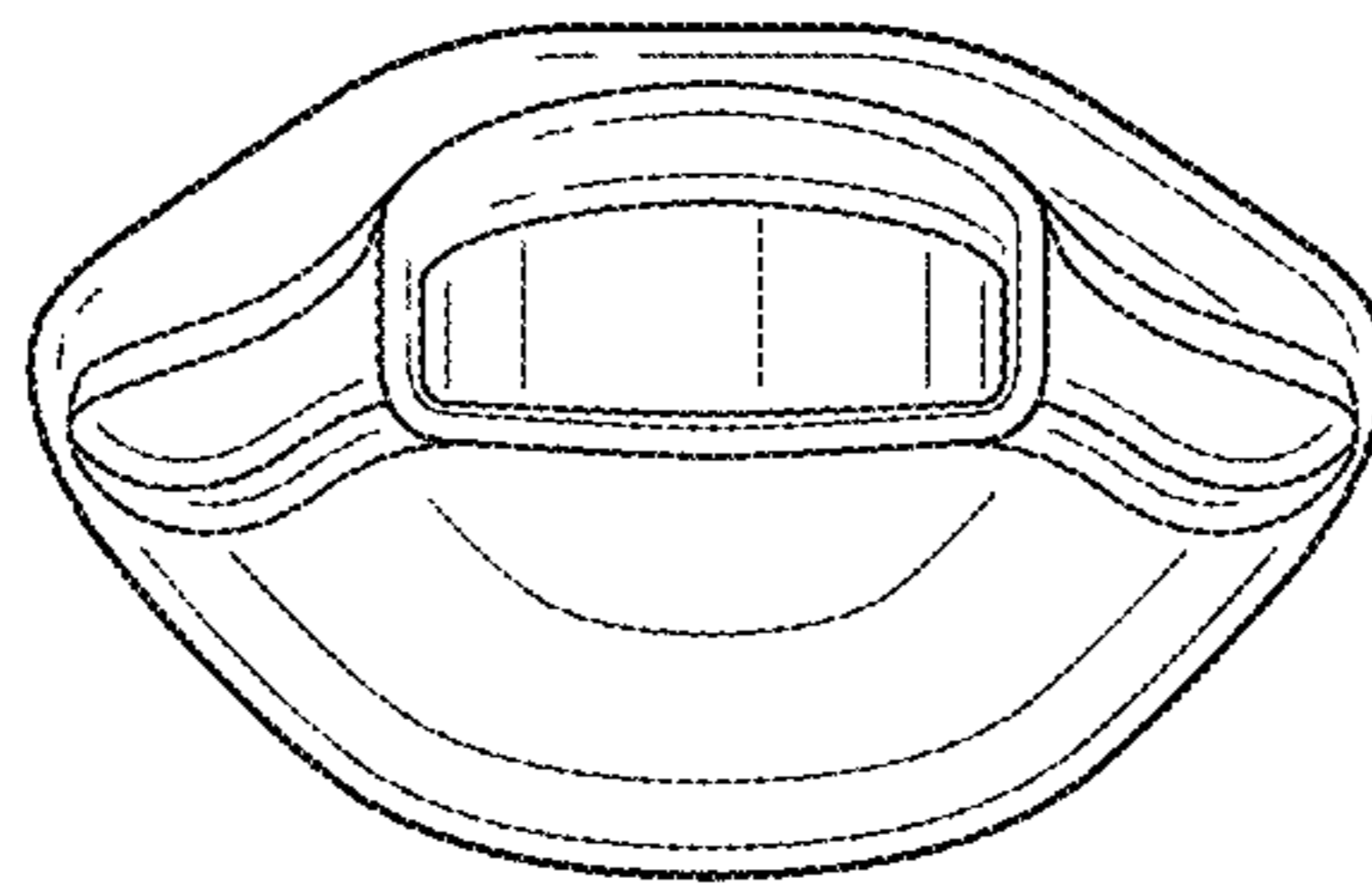


FIG. 4

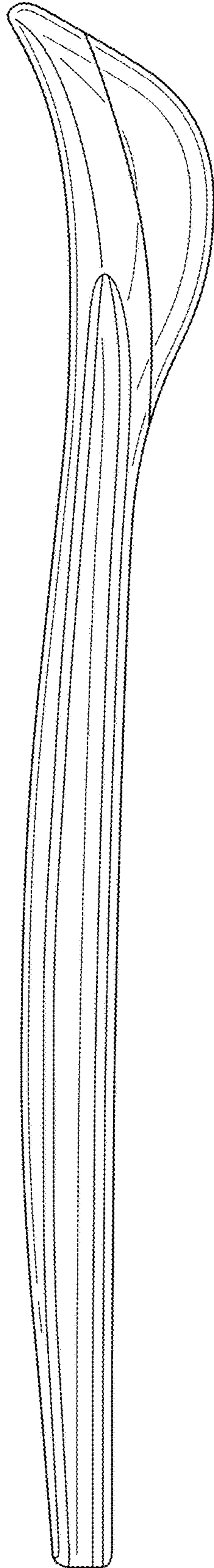


FIG. 5

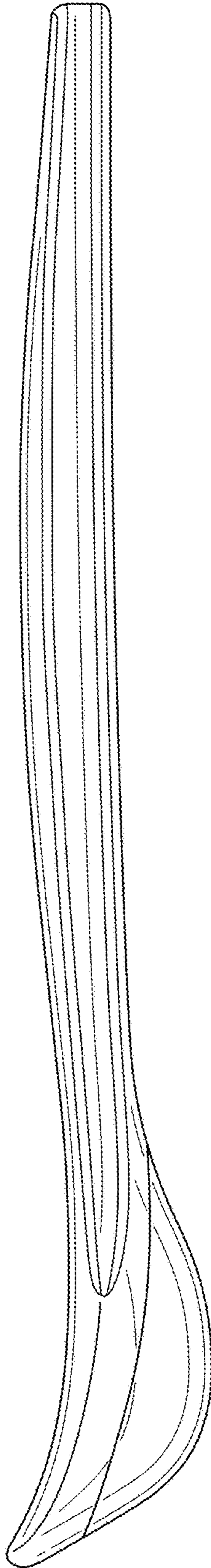


FIG. 6

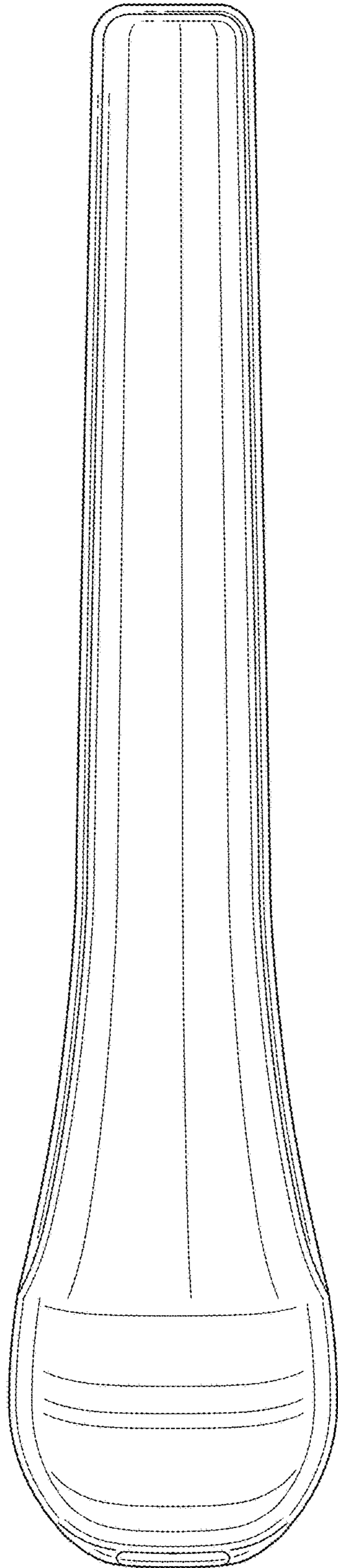


FIG. 7

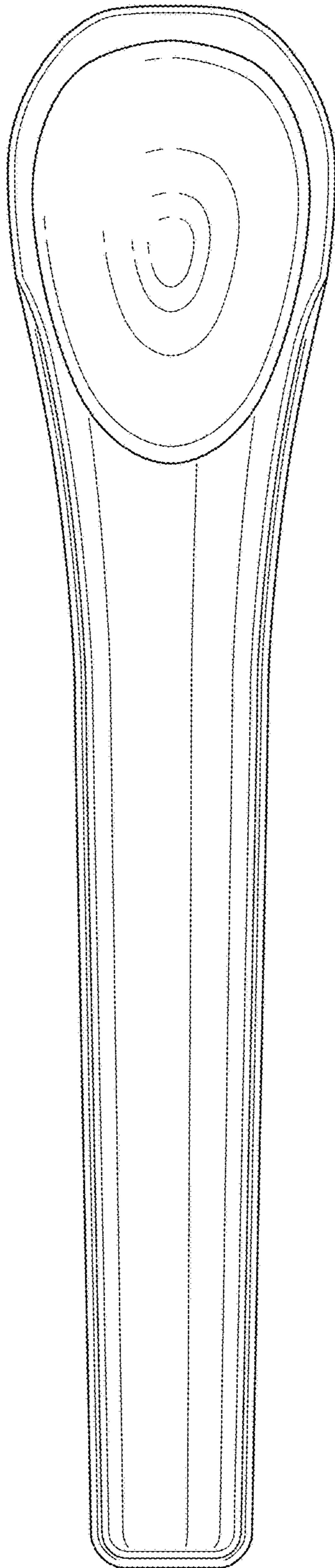


FIG. 8

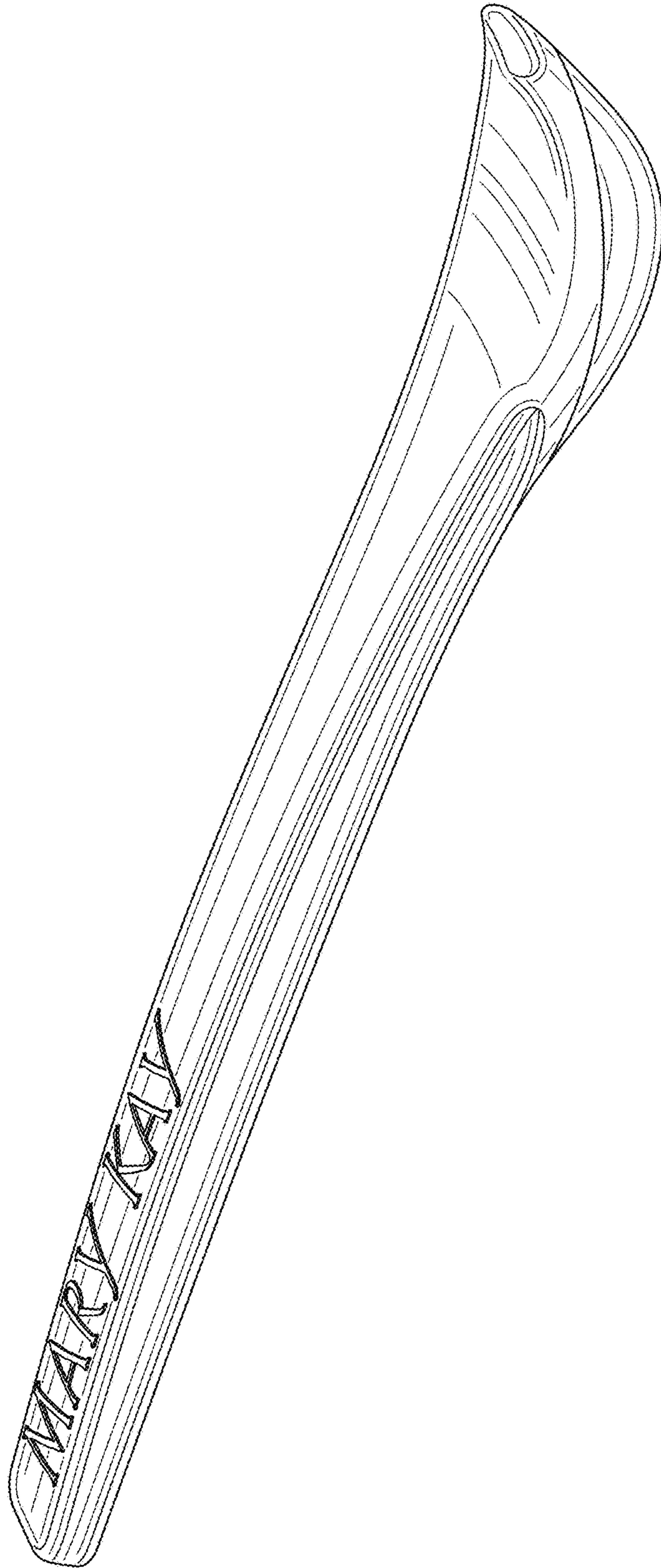


FIG. 9

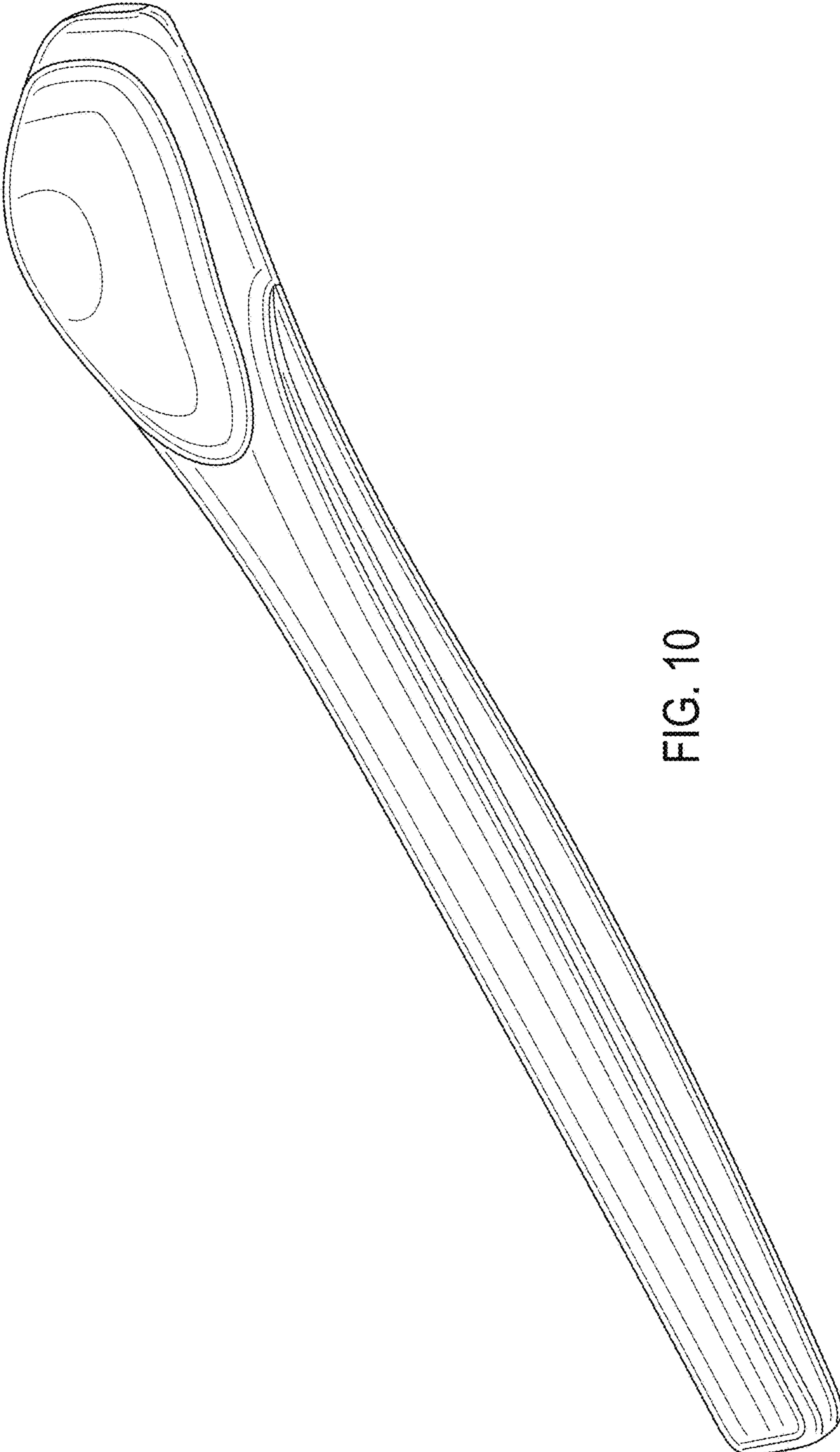


FIG. 10

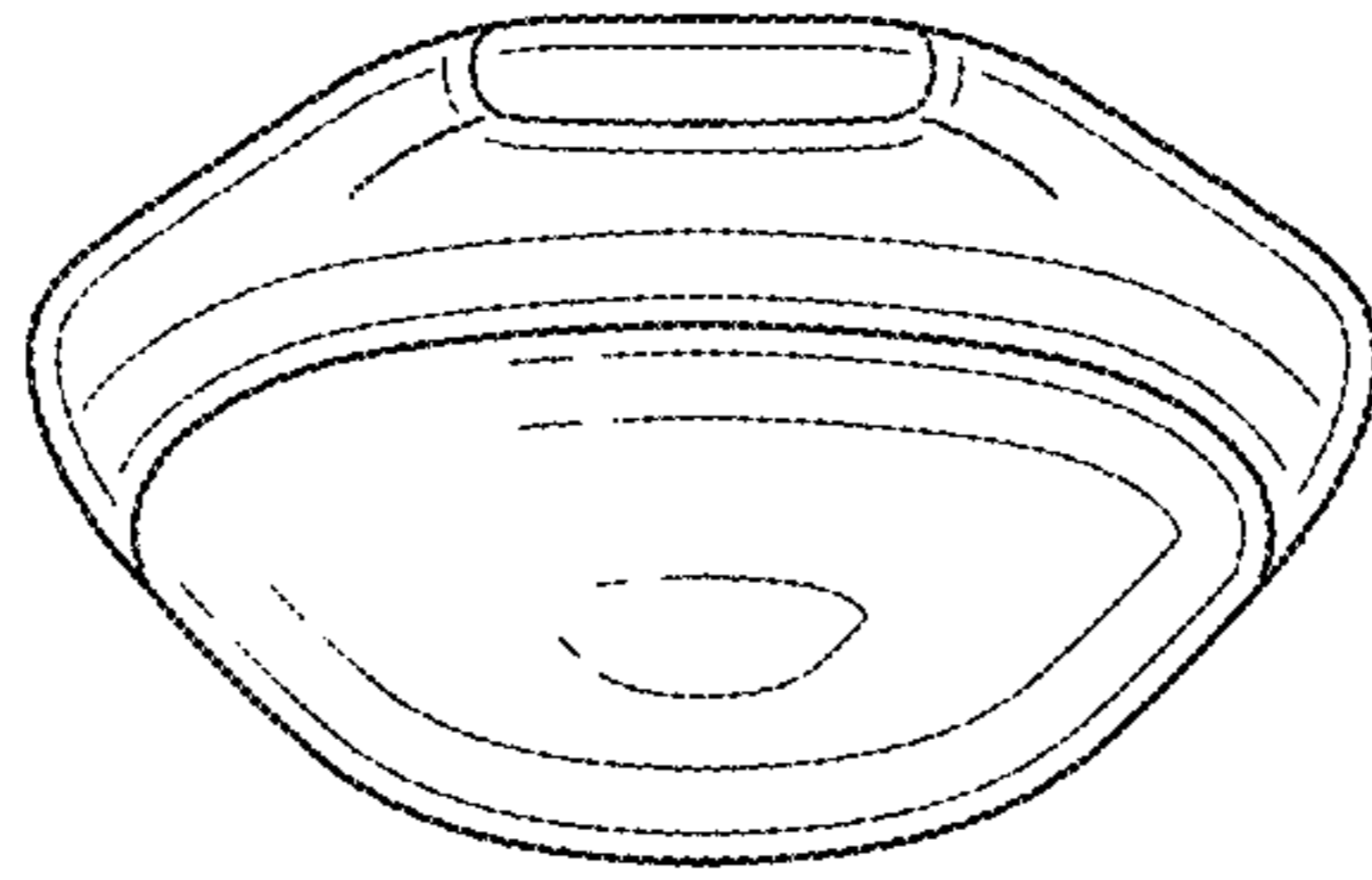


FIG. 11

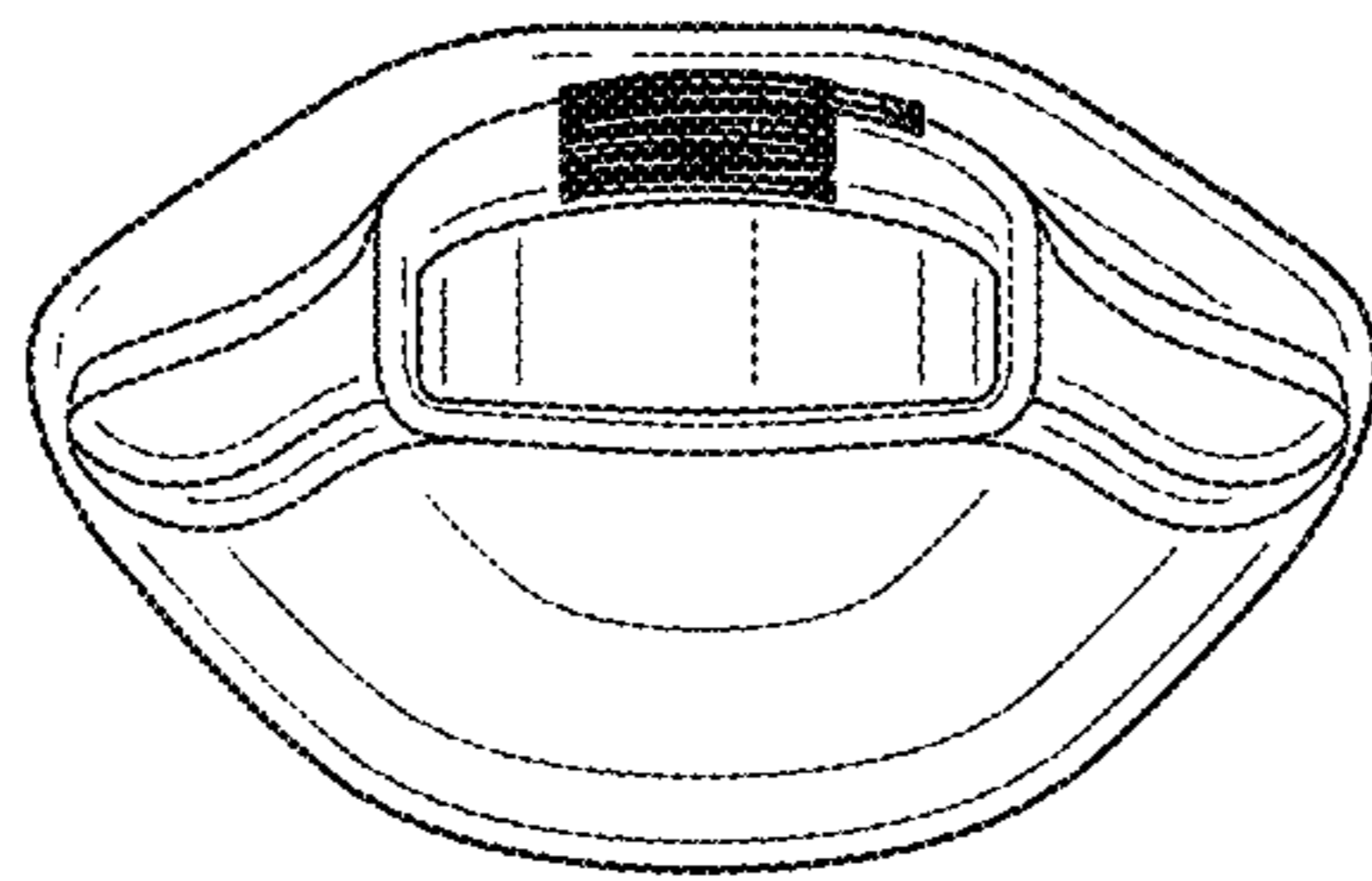


FIG. 12

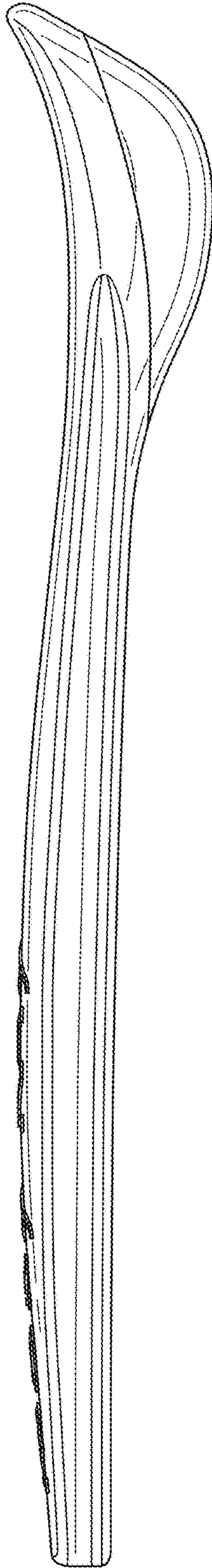


FIG. 13

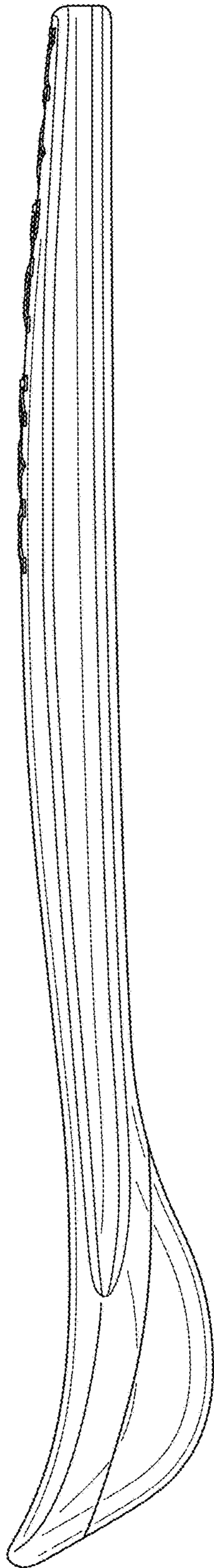


FIG. 14

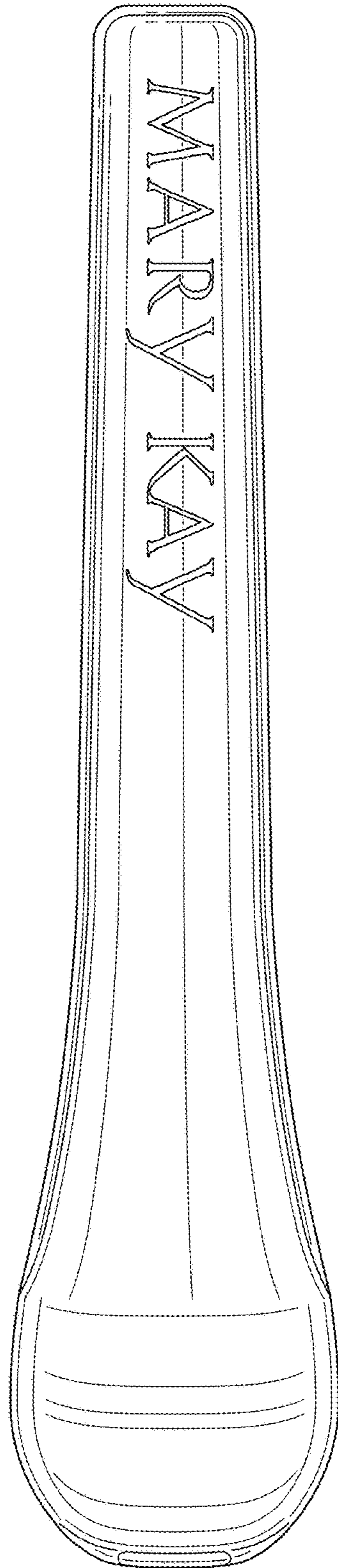


FIG. 15

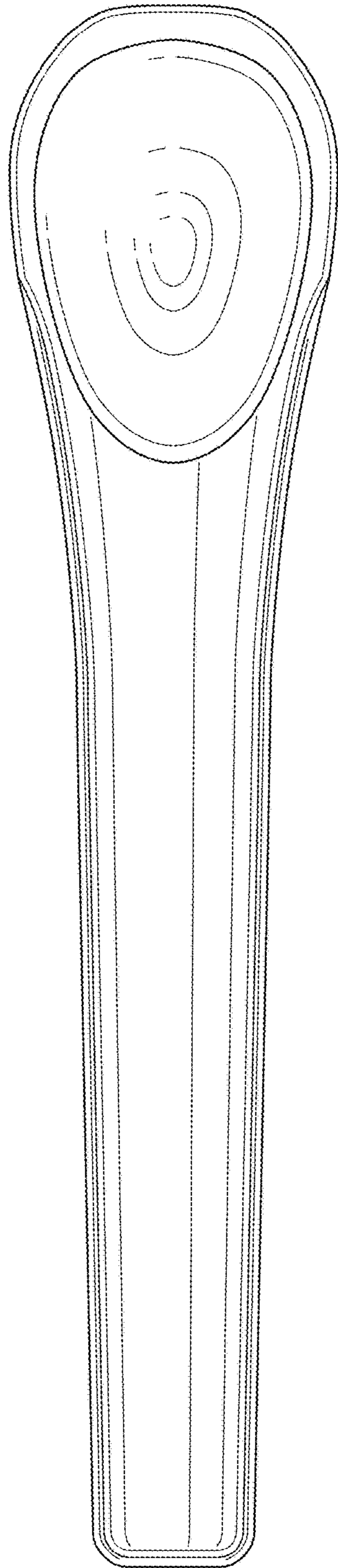


FIG. 16