



US00D852409S

(12) **United States Design Patent** (10) **Patent No.:** **US D852,409 S**
Takehara (45) **Date of Patent:** **** Jun. 25, 2019**

(54) **ELECTRONIC CIGARETTE**
(71) Applicant: **Takashi Takehara**, Osaka (JP)
(72) Inventor: **Takashi Takehara**, Osaka (JP)
(**) Term: **15 Years**
(21) Appl. No.: **35/503,424**
(22) Filed: **Apr. 11, 2017**

D751,249 S * 3/2016 Chen D27/101
D753,336 S * 4/2016 Chen D27/101
D758,656 S * 6/2016 Freshwater D27/163
D785,237 S * 4/2017 Wu D27/167
D785,862 S * 5/2017 Wu D27/167
D788,362 S * 5/2017 Qiu D27/101
D805,685 S * 12/2017 Lee D27/101
2010/0313901 A1* 12/2010 Fernando A24F 47/008
131/330
2014/0014125 A1* 1/2014 Fernando A24F 47/008
131/328

(80) **Hague Agreement Data**
Int. Filing Date: **Apr. 11, 2017**
Int. Reg. No.: **DM/096922**
Int. Reg. Date: **Apr. 11, 2017**
Int. Reg. Pub. Date: **Jul. 28, 2017**
(51) **LOC (11) Cl.** **27-01**
(52) **U.S. Cl.**
USPC **D27/162**
CPC **A24D 1/02 (2013.01)**
(58) **Field of Classification Search**
USPC D27/100-102, 163-167, 193-194
CPC A24D 1/02; A24F 47/008
See application file for complete search history.

* cited by examiner

Primary Examiner — Richard E Chilcot
(74) *Attorney, Agent, or Firm* — Novick, Kim & Lee, PLLC; Jae Youn Kim

(57) **CLAIM**
The ornamental design for an electronic cigarette, as shown and described.

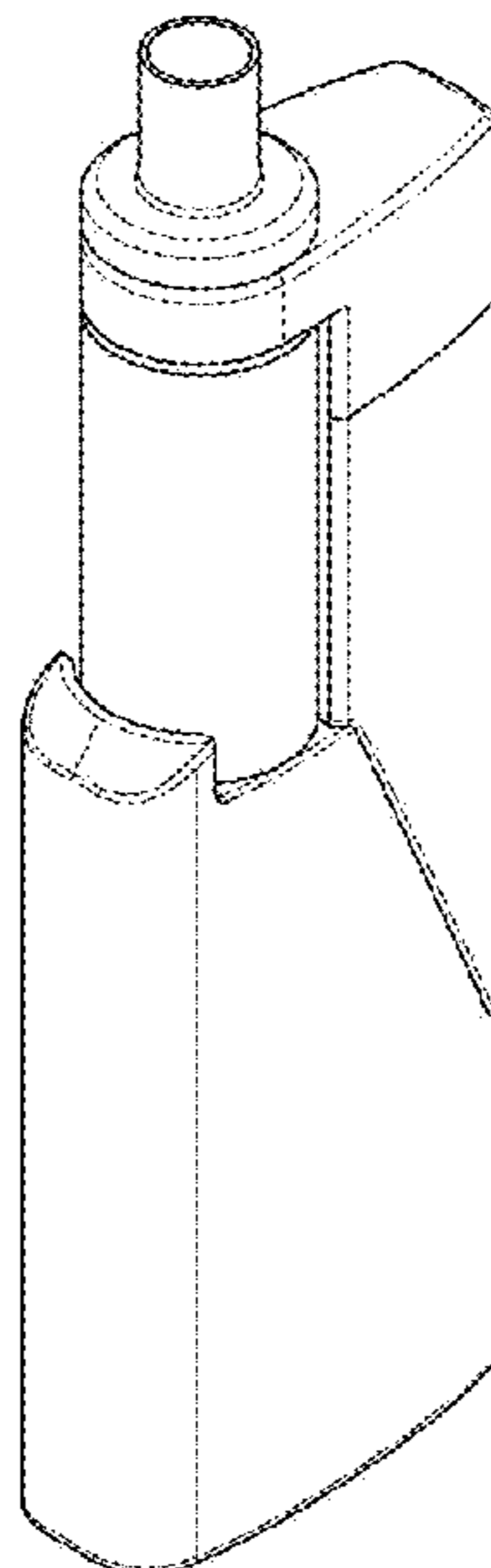
(56) **References Cited**
U.S. PATENT DOCUMENTS
D368,552 S * 4/1996 Adams D27/194
6,615,840 B1 * 9/2003 Fournier A24D 1/02
131/194
D649,708 S * 11/2011 Oneil D27/163
D743,099 S * 11/2015 Oglesby D27/101

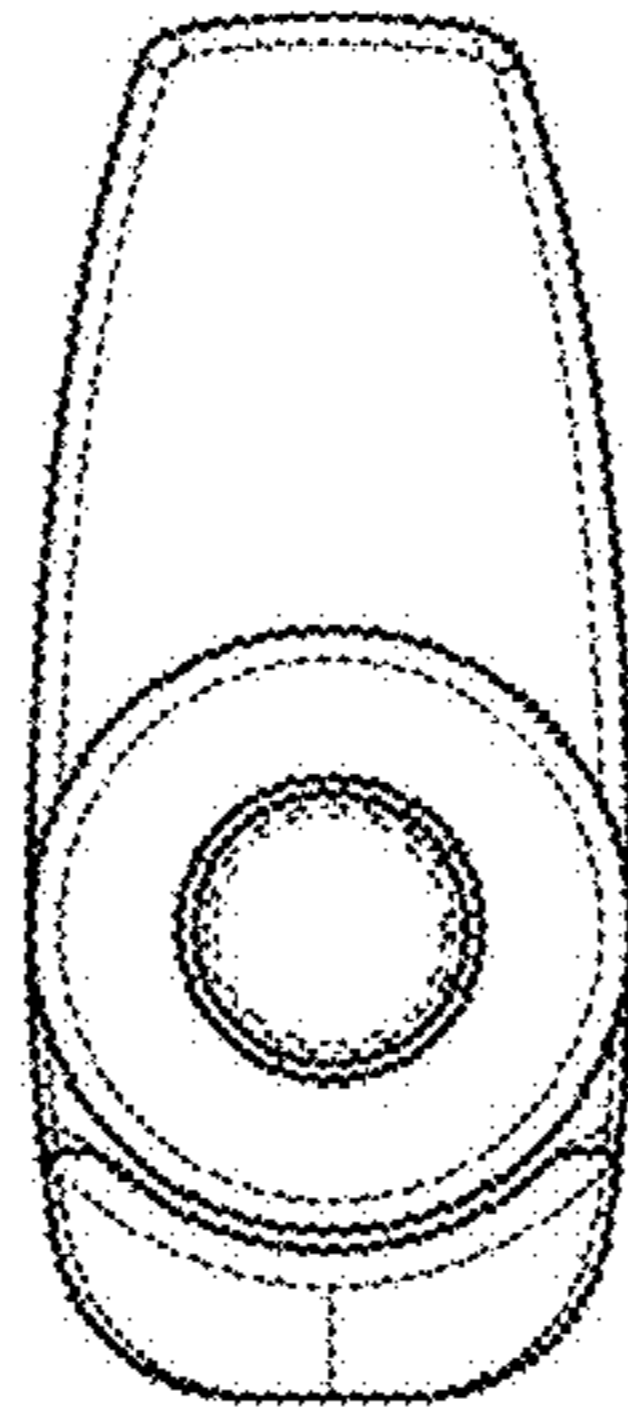
DESCRIPTION

- 1. Electronic cigarette
- 1.1 : Top
- 1.2 : Back
- 1.3 : Bottom
- 1.4 : Right
- 1.5 : Left
- 1.6 : Perspective
- 1.7 : Perspective
- 1.8 : Front

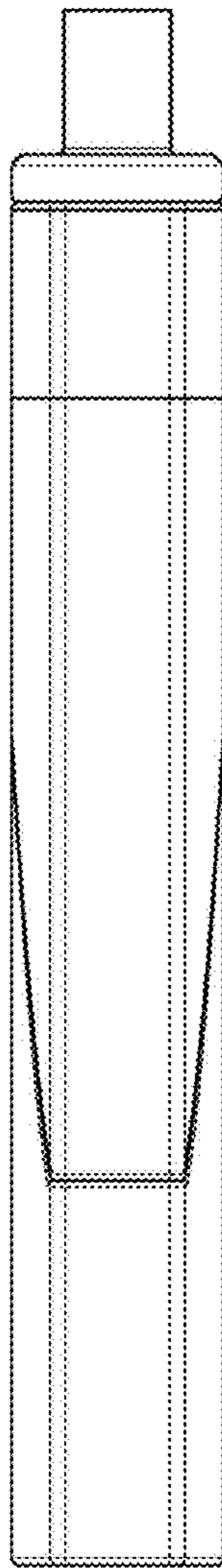
The broken lines in the drawings show portions of the electronic cigarette which forms no part of the claimed design.

1 Claim, 8 Drawing Sheets

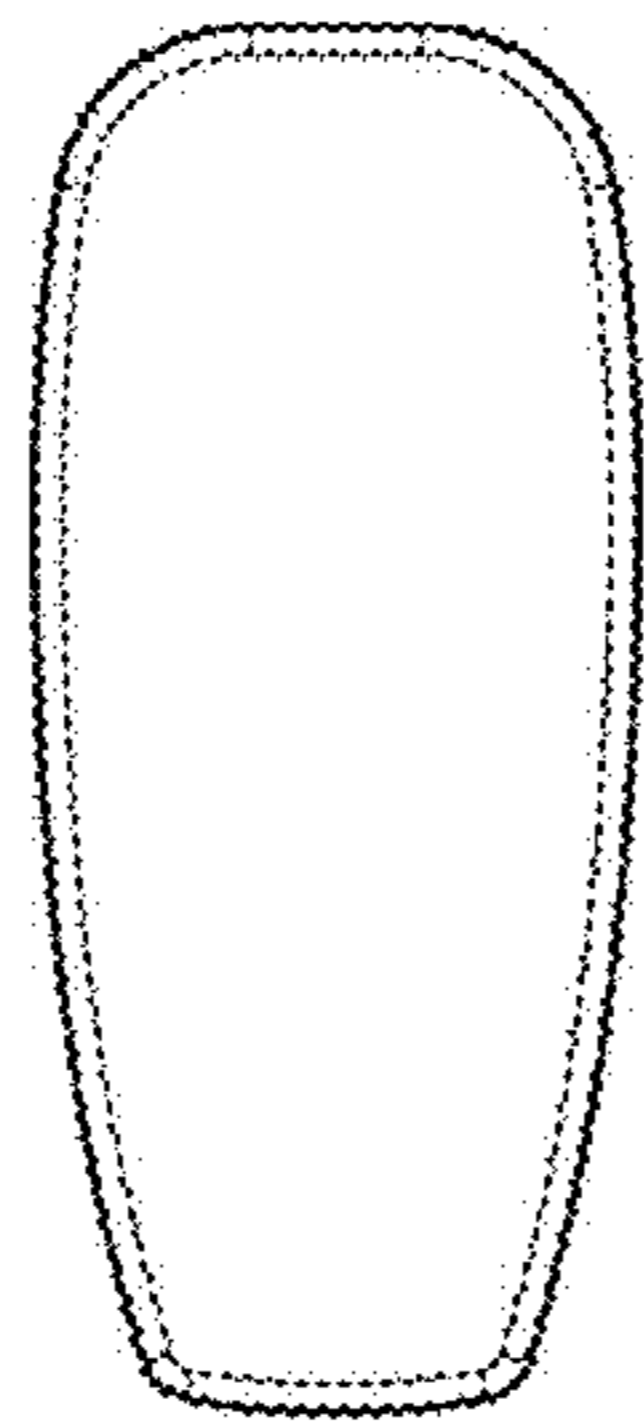




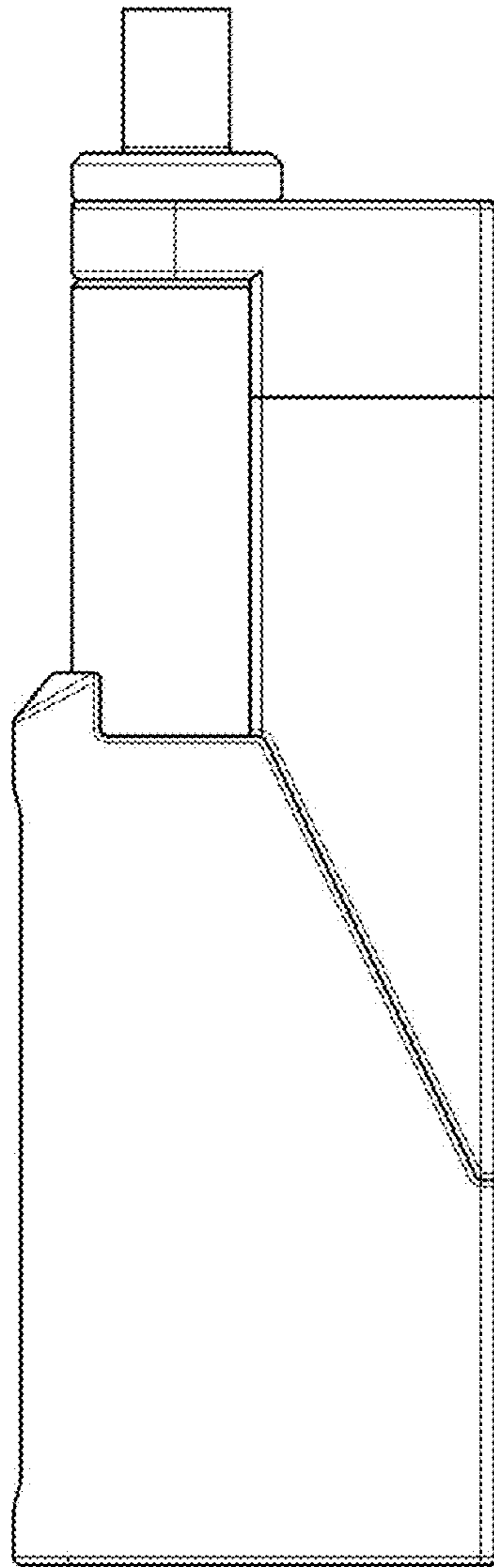
1.1



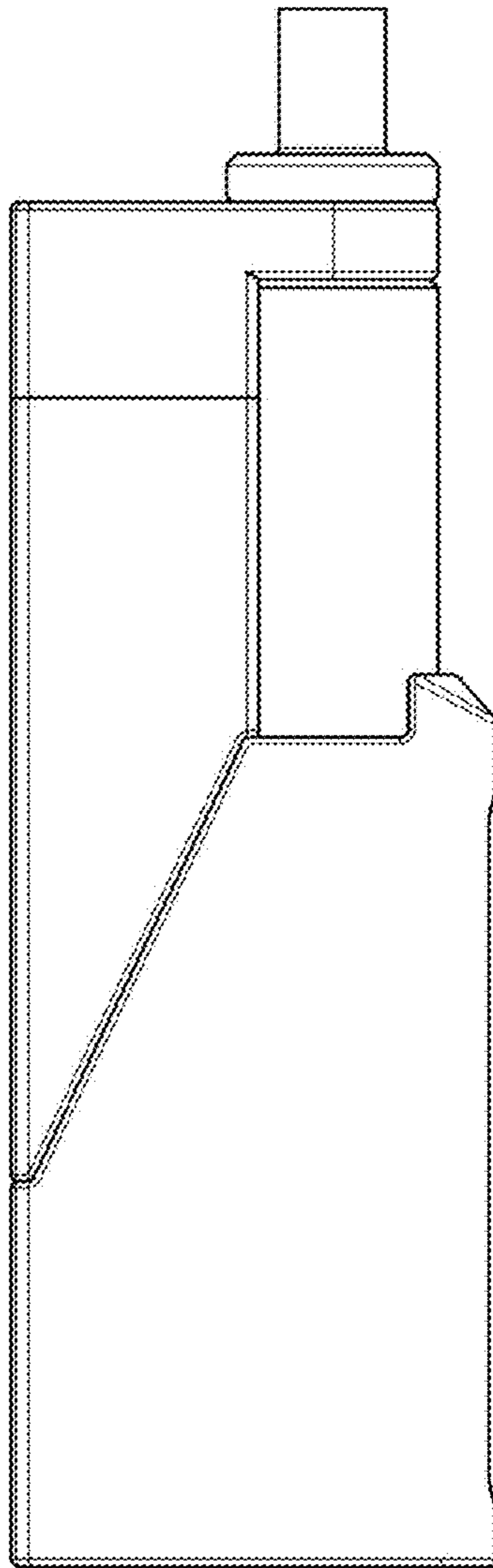
1.2



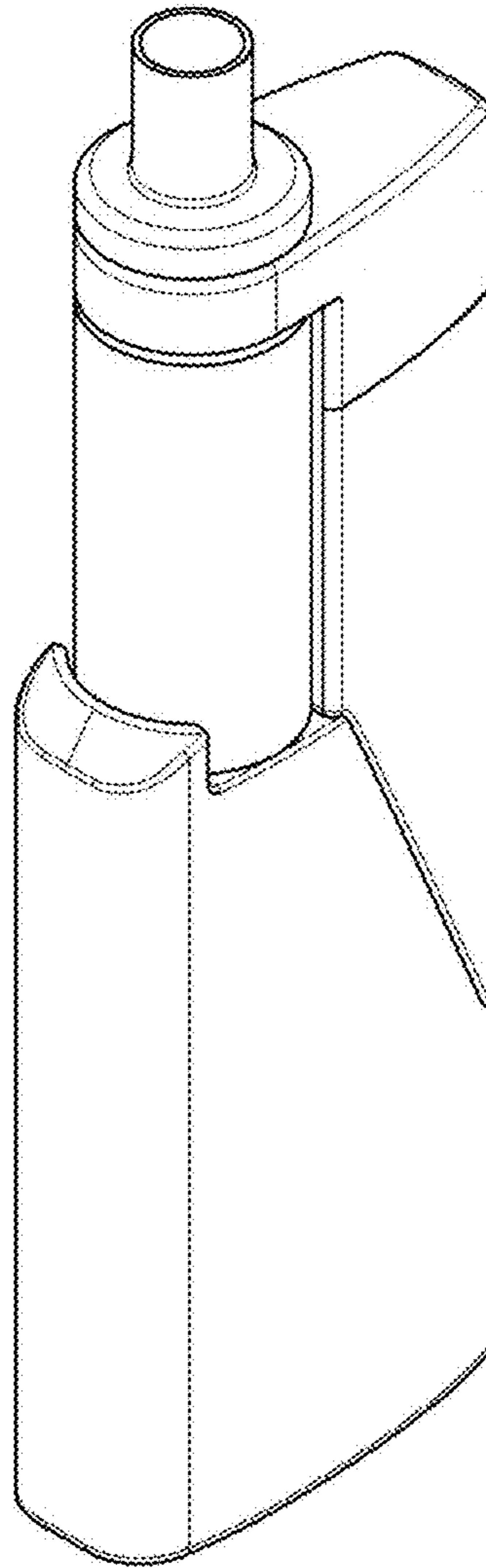
1.3



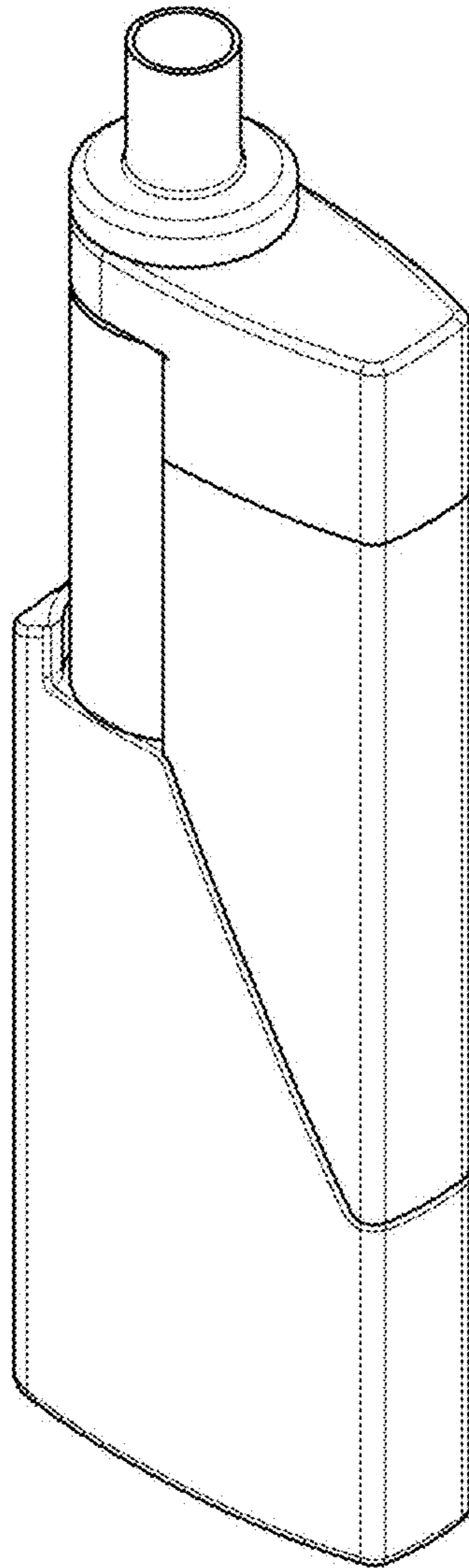
1.4



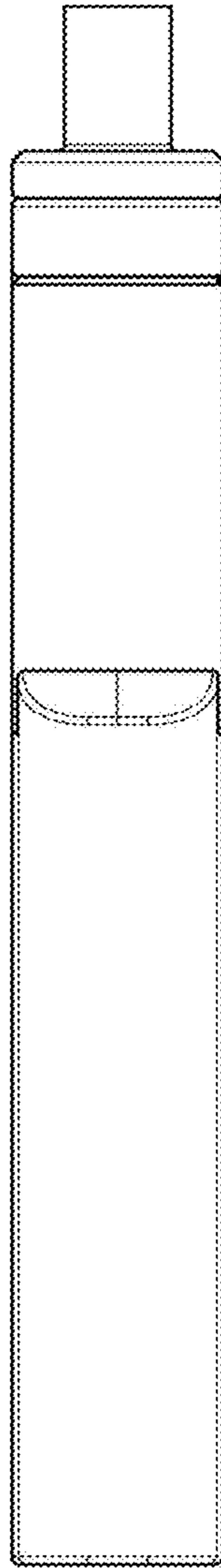
1.5



1.6



1.7



1.8