



US00D852406S

(12) **United States Design Patent**  
**Zahn**

(10) **Patent No.:** **US D852,406 S**

(45) **Date of Patent:** **\*\* Jun. 25, 2019**

- (54) **LIGHTING ELEMENT**
- (71) Applicant: **LINDSEY ADELMAN STUDIO LLC**,  
New York, NY (US)
- (72) Inventor: **Karl Stefan Zahn**, Brooklyn, NY (US)
- (73) Assignee: **Lindsey Adelman Studio LLC**, New  
York, NY (US)
- (\*\*) Term: **15 Years**
- (21) Appl. No.: **29/638,034**
- (22) Filed: **Feb. 23, 2018**
- (51) **LOC (11) Cl.** ..... **26-05**
- (52) **U.S. Cl.**  
USPC ..... **D26/155**
- (58) **Field of Classification Search**  
USPC ..... D26/10, 12, 15, 16, 22, 23, 24, 25, 26,  
D26/27, 139-154, 155, 156  
CPC ..... H05B 39/00; F21W 2121/04; F21S 4/00;  
F21S 4/001; F21S 4/002  
See application file for complete search history.

- 9,194,564 B2 \* 11/2015 Liu ..... F21V 17/04
- 9,347,657 B2 \* 5/2016 Chiang ..... F21S 10/023
- 9,523,486 B2 \* 12/2016 Boyink ..... H05B 33/0857
- D816,874 S \* 5/2018 Lentz ..... D26/25
- D825,793 S \* 8/2018 Lentz ..... D26/25
- 2011/0122613 A1 \* 5/2011 Hsu ..... F21V 19/0005  
362/231
- 2016/0021724 A1 \* 1/2016 Kinderman ..... F21S 4/10  
315/192

\* cited by examiner

*Primary Examiner* — Mark A Goodwin  
*Assistant Examiner* — Benjamin M Weeks  
 (74) *Attorney, Agent, or Firm* — Amster, Rothstein &  
 Ebenstein LLP

(57) **CLAIM**

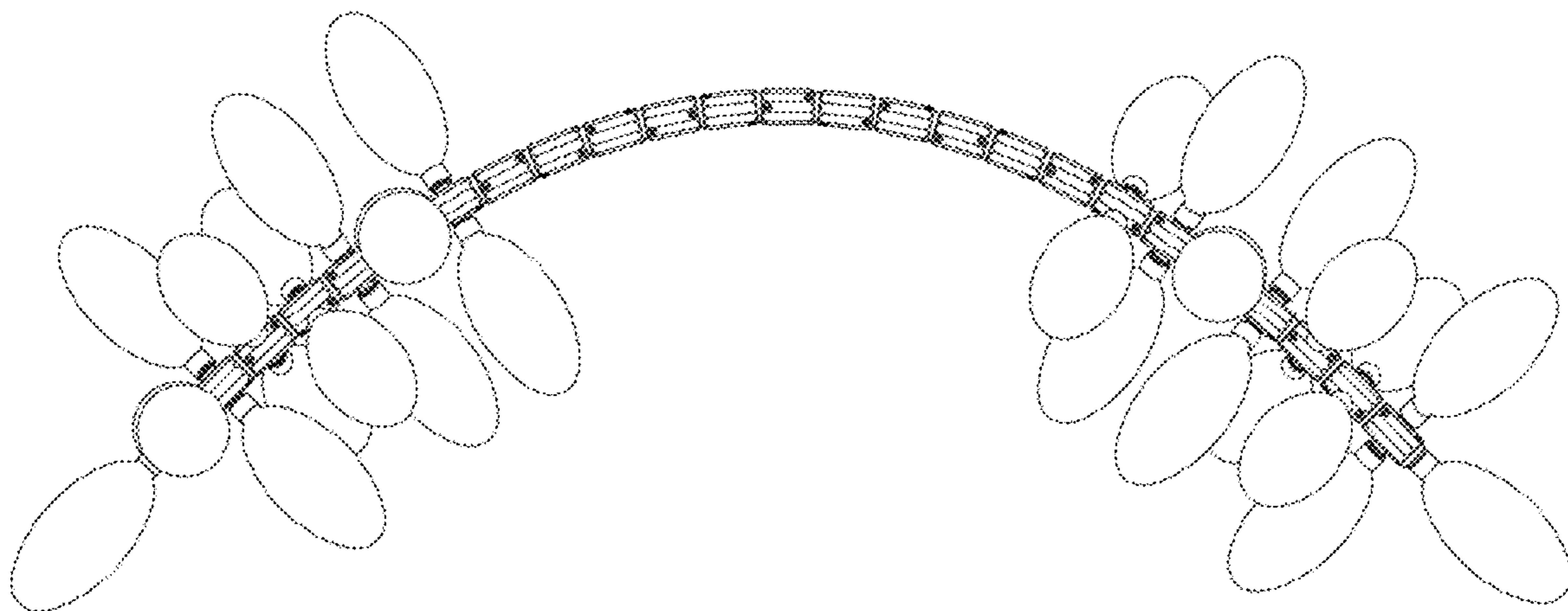
The ornamental design for a lighting element, as shown and described.

**DESCRIPTION**

FIG. 1 is front view of a lighting element showing my new design;  
 FIG. 2 is a rear view thereof;  
 FIG. 3 is a side view thereof;  
 FIG. 4 is an opposite side view thereof;  
 FIG. 5 is a top view thereof;  
 FIG. 6 is a bottom view thereof;  
 FIG. 7 is a top perspective view thereof; and,  
 FIG. 8 is a bottom perspective view thereof.

**1 Claim, 8 Drawing Sheets**

- (56) **References Cited**  
U.S. PATENT DOCUMENTS
- D351,915 S \* 10/1994 Hermanson ..... D26/25
- D427,341 S \* 6/2000 Wiedemer, Jr. .... D26/26
- D481,805 S \* 11/2003 Kumada ..... D26/25
- D554,560 S \* 11/2007 Tsai ..... D11/117
- 7,306,360 B2 \* 12/2007 Lin ..... F21V 3/00  
362/267
- 7,575,362 B1 \* 8/2009 Hsu ..... H01R 33/09  
362/647



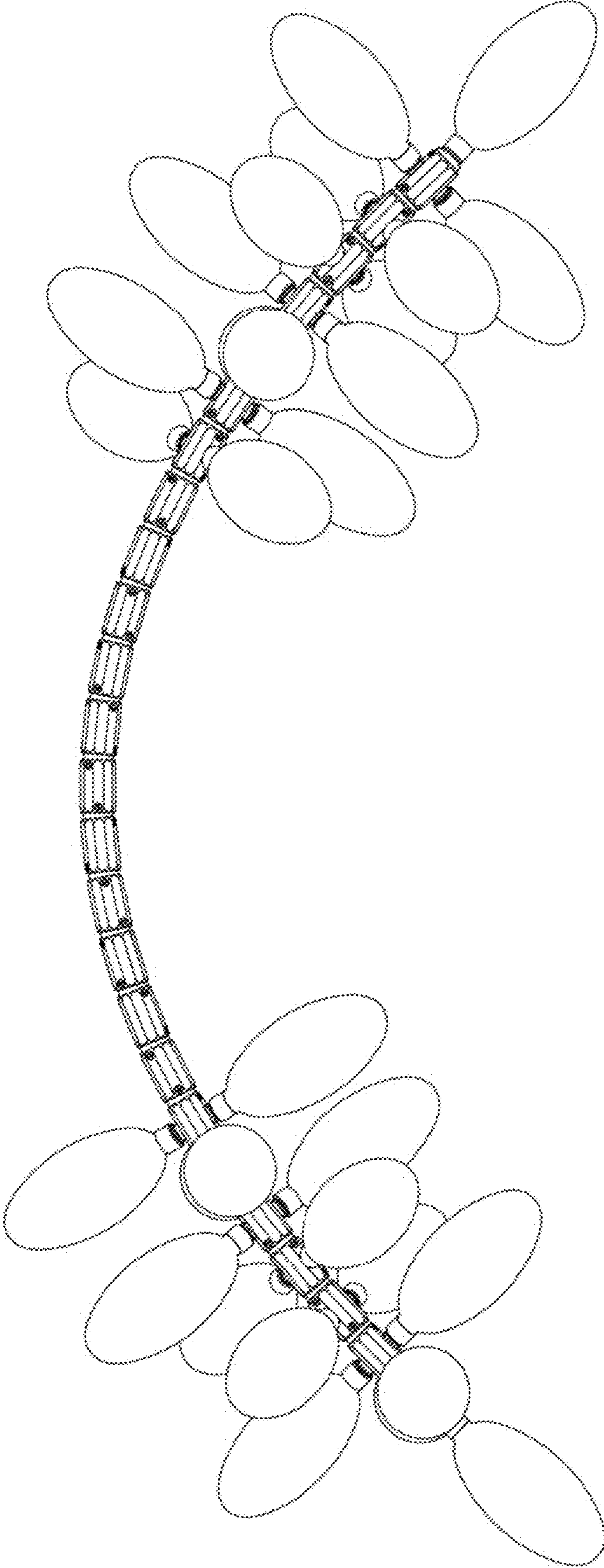


FIG. 1

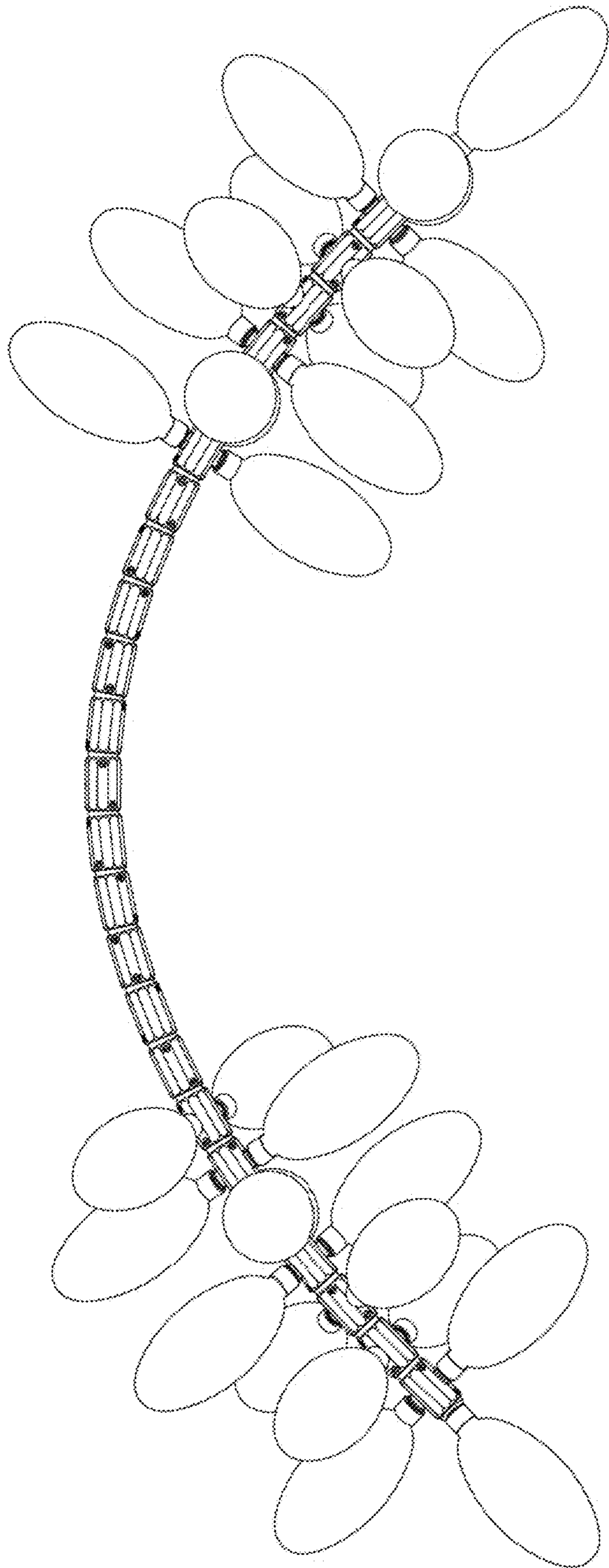


FIG. 2

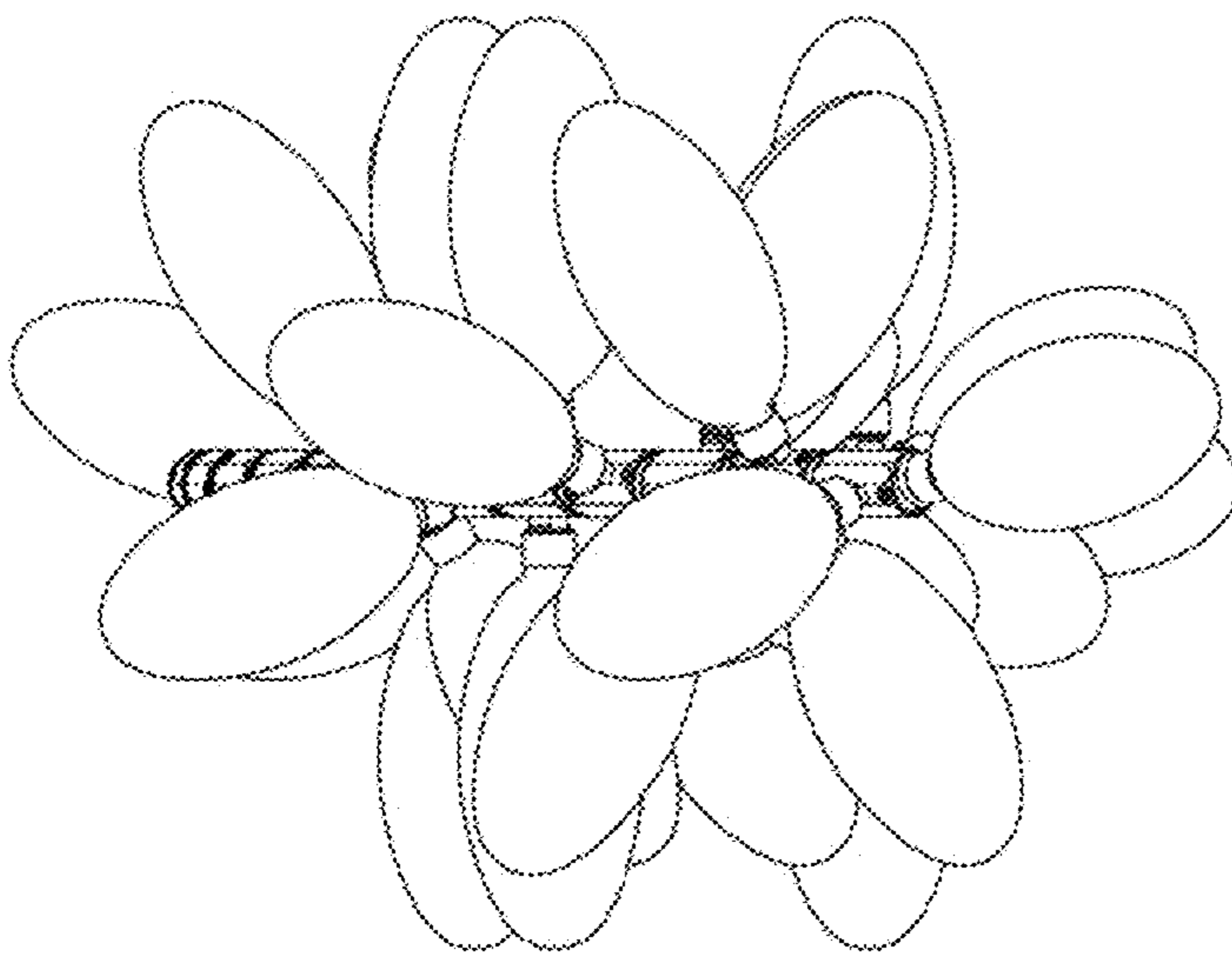


FIG. 3

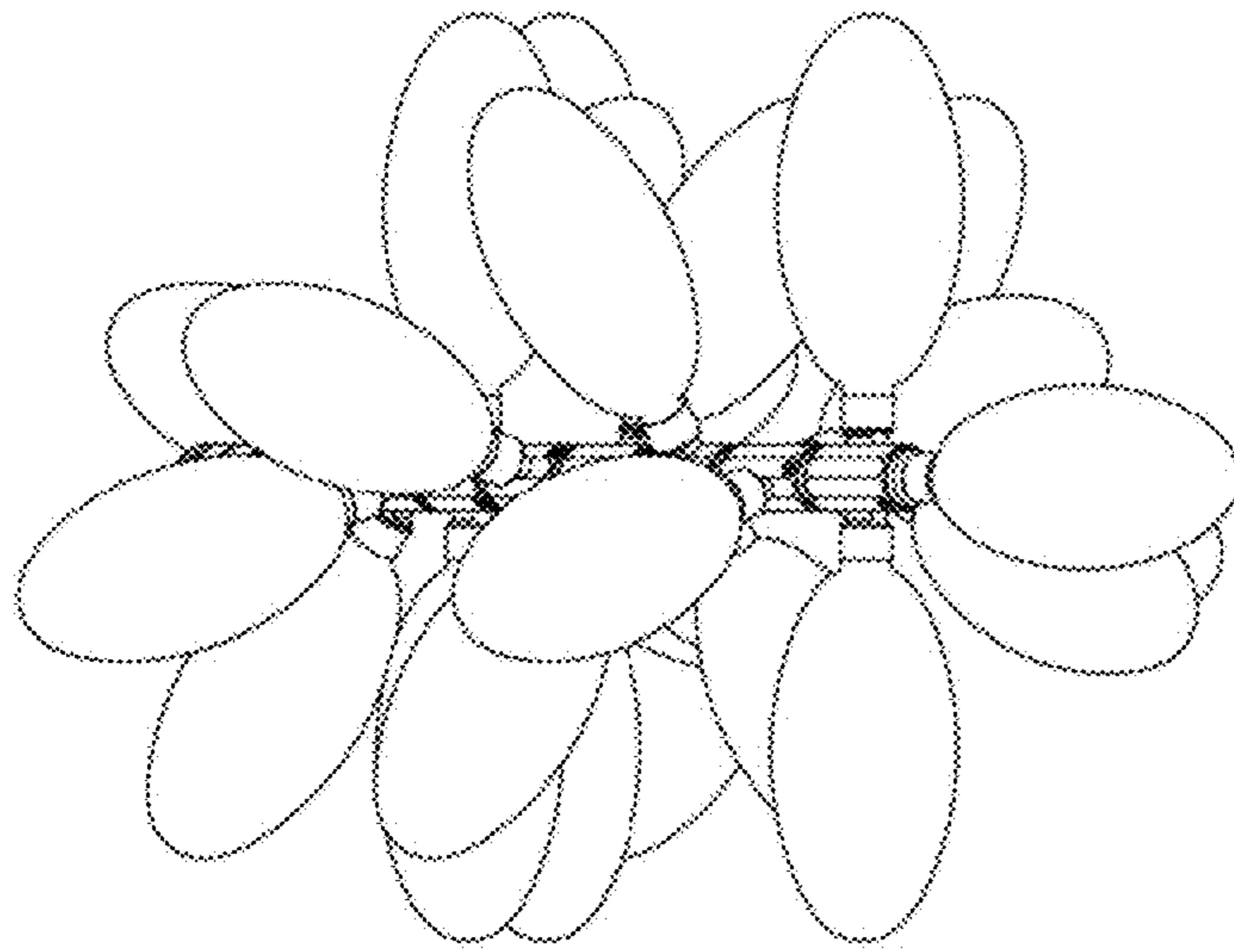


FIG. 4



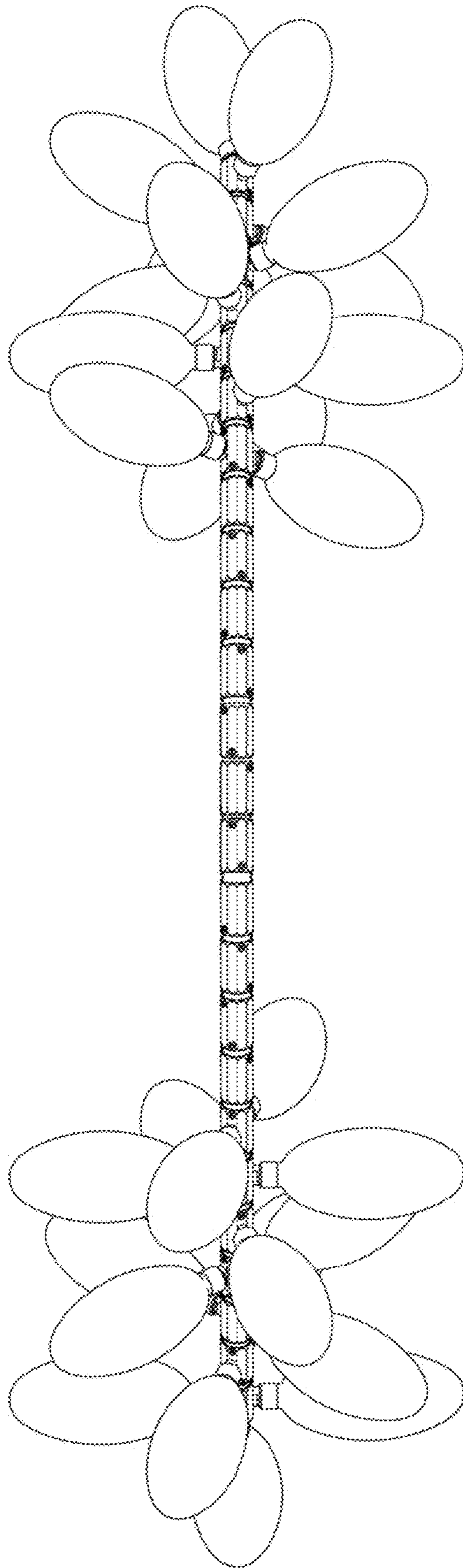


FIG. 5

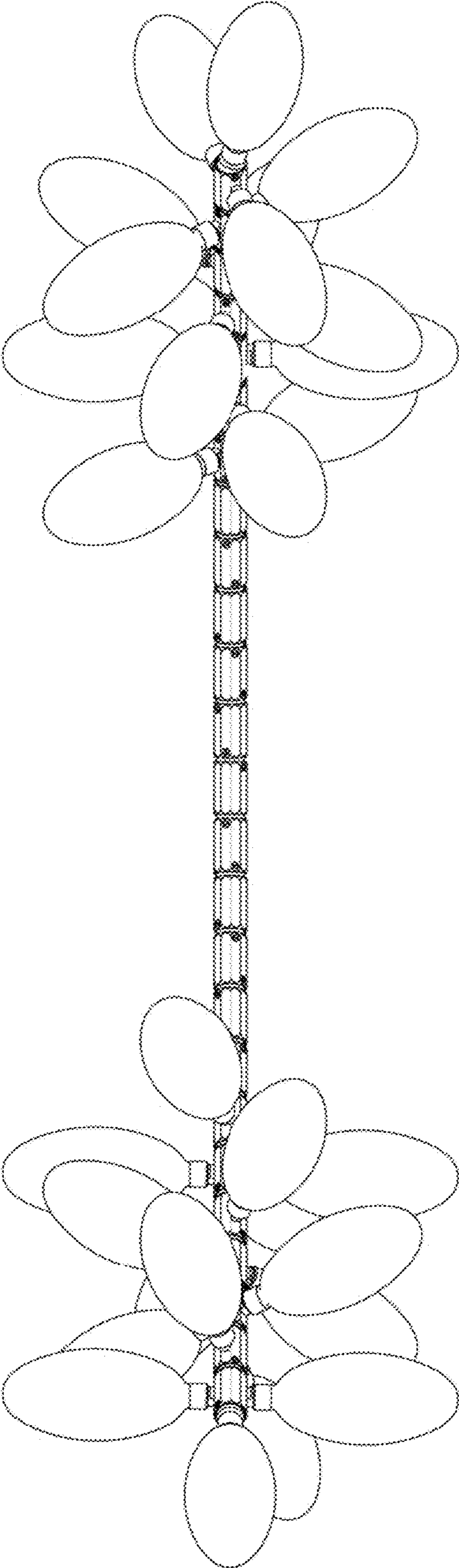


FIG. 6

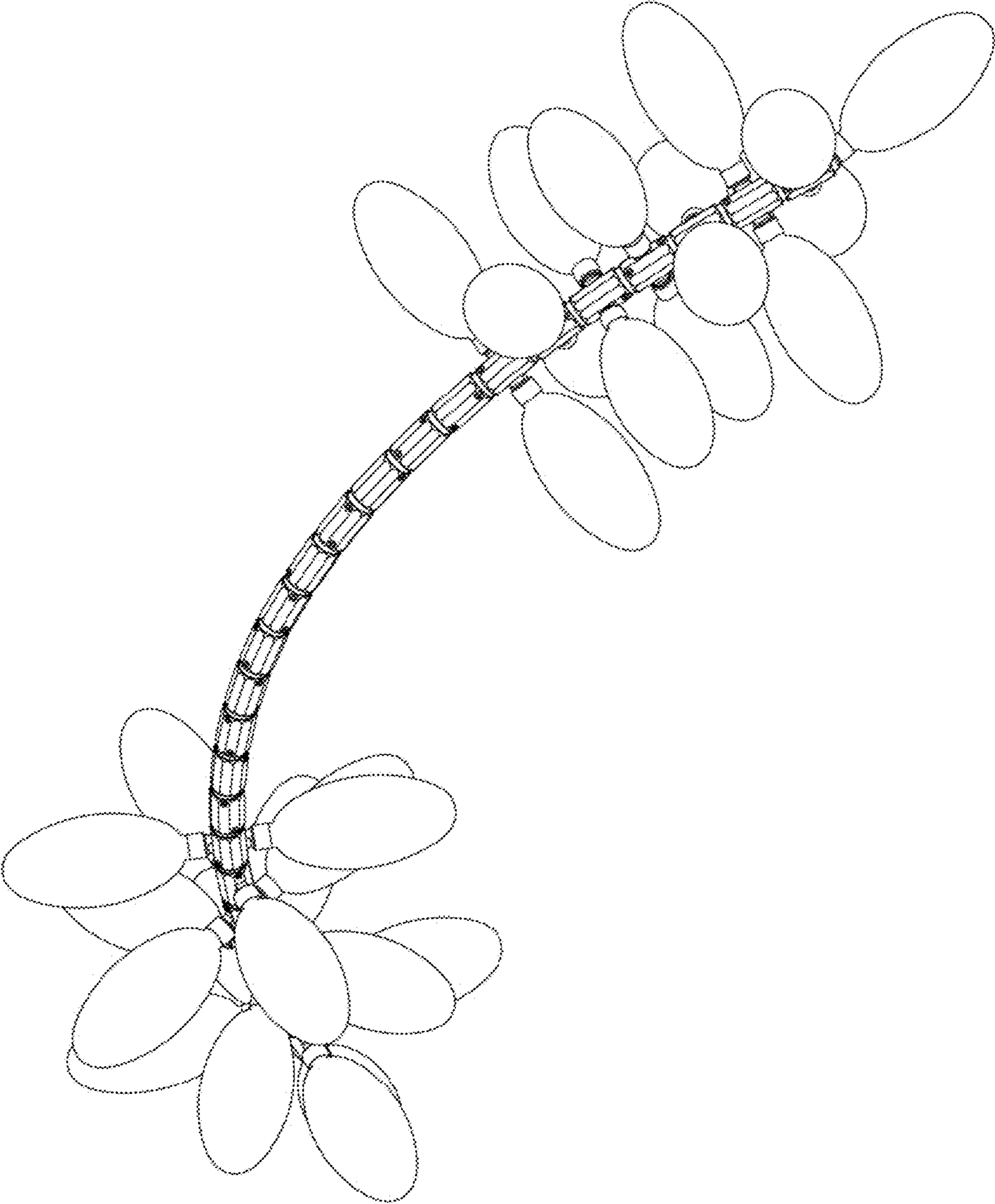


FIG. 7



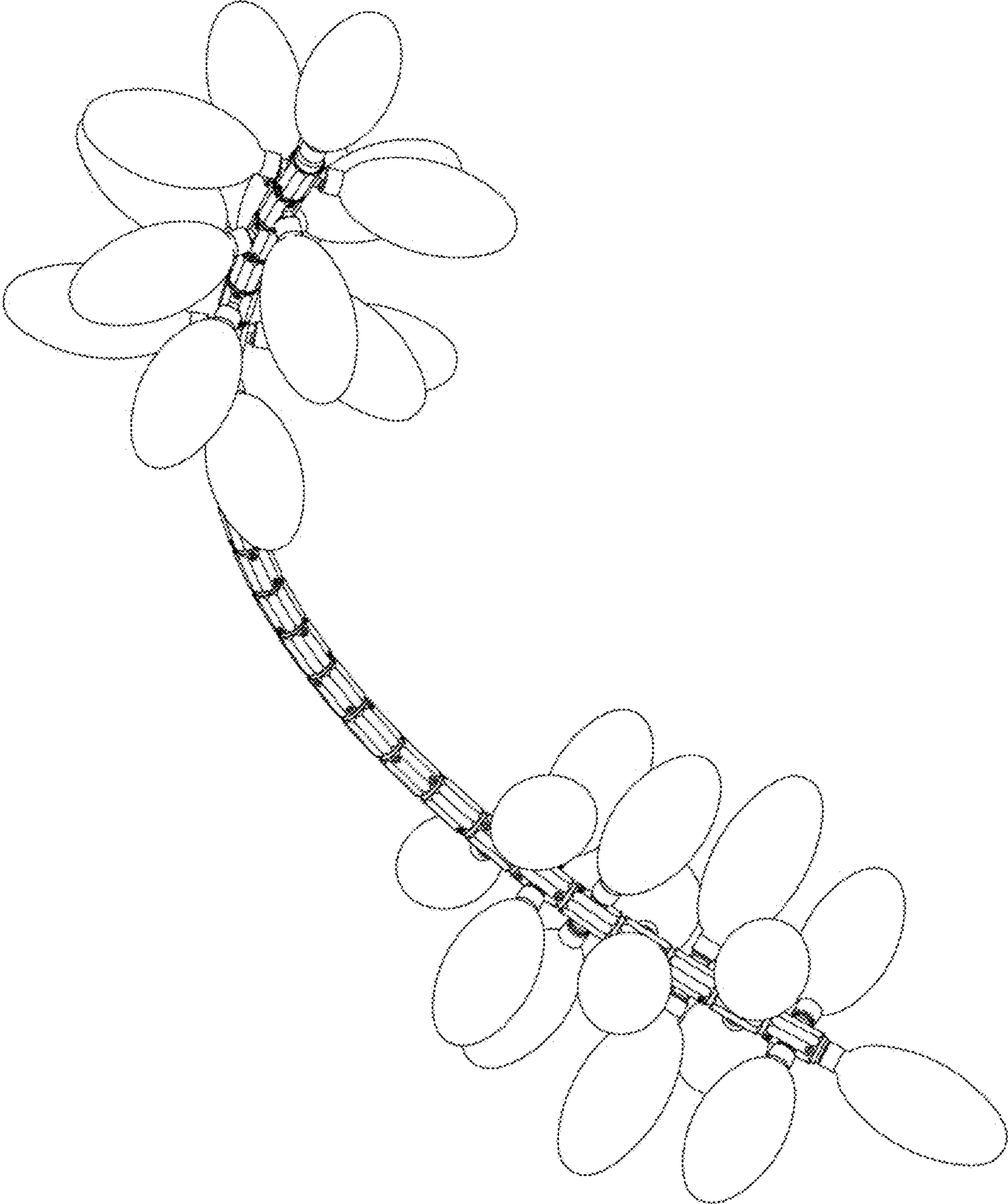


FIG. 8