



US00D852405S

(12) **United States Design Patent**  
**Zeng**

(10) **Patent No.:** **US D852,405 S**  
(45) **Date of Patent:** **\*\* Jun. 25, 2019**

(54) **SPHERICAL PROJECTION LAMP**

(71) Applicant: **Ying Zeng**, Fuzhou (CN)

(72) Inventor: **Ying Zeng**, Fuzhou (CN)

(\*\*) Term: **15 Years**

(21) Appl. No.: **29/640,561**

(22) Filed: **Mar. 15, 2018**

(51) **LOC (11) Cl.** ..... **26-03**

(52) **U.S. Cl.**  
USPC ..... **D26/104**

(58) **Field of Classification Search**  
USPC ..... D26/1, 4, 24, 27, 51, 93, 94, 104, 106;  
D11/131, 157, 184, 121, 125  
CPC .. A63H 13/00; F21S 6/00; F21S 6/002; F21S  
10/00; F21V 3/00; F21V 3/0418; F21V  
15/00; F21V 21/02; F21V 31/00; F21W  
2121/00; F21W 2131/30  
See application file for complete search history.

(56) **References Cited**

**U.S. PATENT DOCUMENTS**

4,961,276 A \* 10/1990 Lin ..... A63H 13/00  
40/410  
D393,016 S \* 3/1998 Young ..... D11/131

D468,044 S \* 12/2002 Lam ..... D26/104  
D480,497 S \* 10/2003 Lau Ting Yup ..... D26/104  
D590,097 S \* 4/2009 Tam ..... D26/104  
D757,988 S \* 5/2016 Chang ..... D26/104  
D786,485 S \* 5/2017 Amato ..... D26/106  
D829,961 S \* 10/2018 Lin ..... D26/104

\* cited by examiner

*Primary Examiner* — Brian N. Vinson

(74) *Attorney, Agent, or Firm* — Muncy, Geissler, Olds & Lowe, P.C.

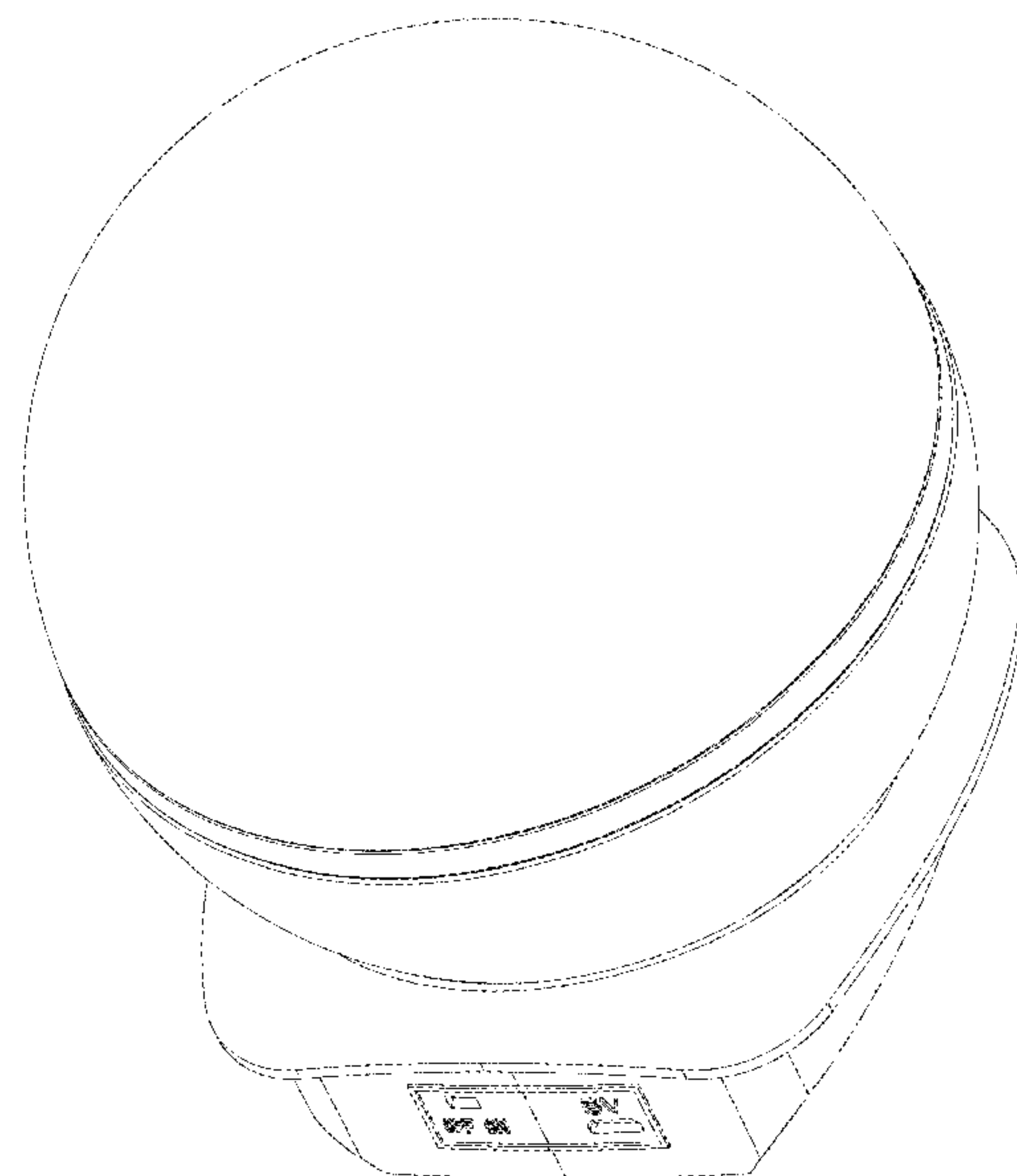
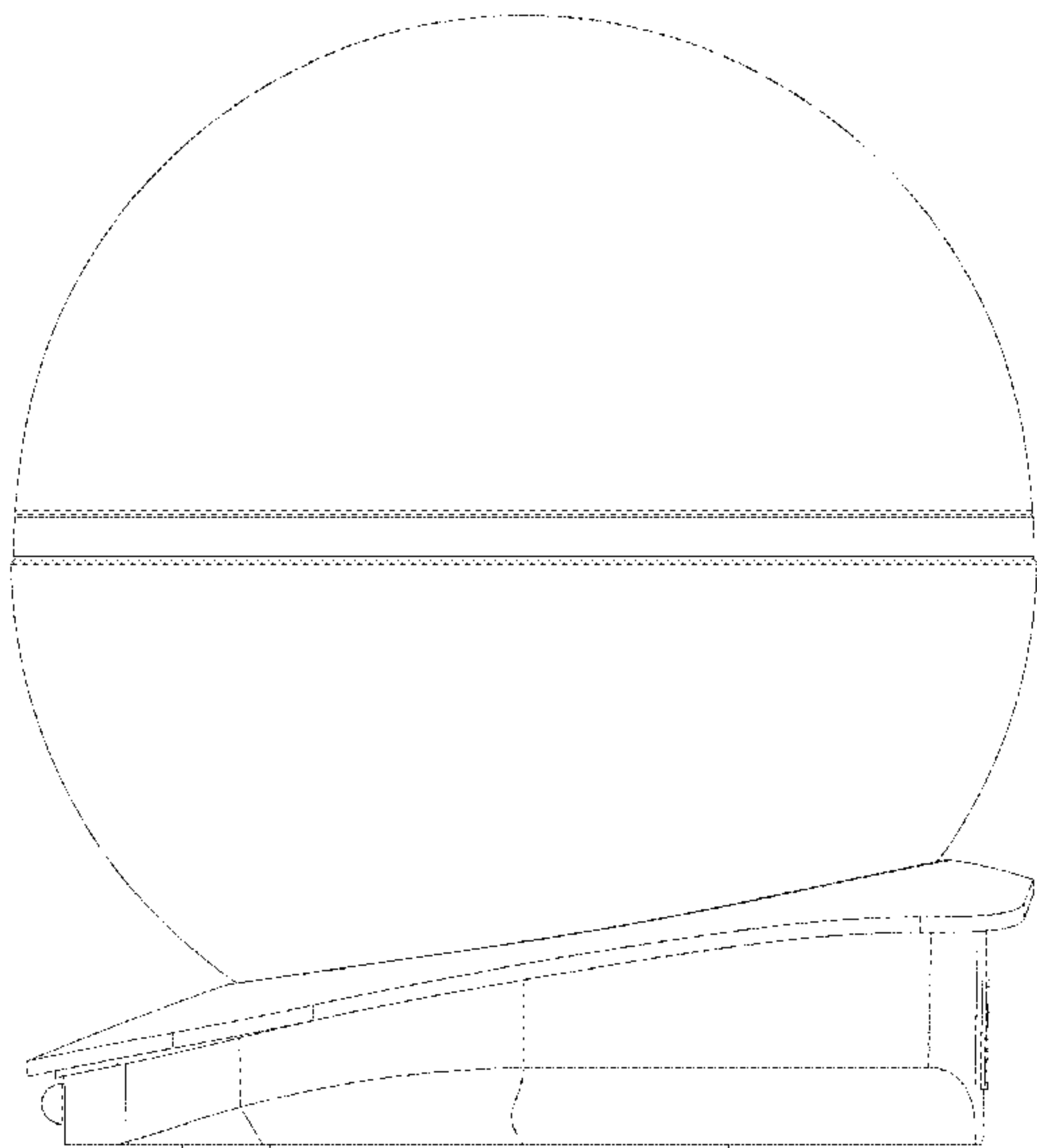
(57) **CLAIM**

The ornamental design for a spherical projection lamp, as shown and described.

**DESCRIPTION**

FIG. 1 is a Front elevational view of a spherical projection lamp showing my new design;  
FIG. 2 is a Rear elevational view thereof;  
FIG. 3 is a Left side view thereof;  
FIG. 4 is a Right side view thereof;  
FIG. 5 is a Top plan view thereof;  
FIG. 6 is a Bottom plan view thereof; and,  
FIG. 7 is a Perspective views thereof.

**1 Claim, 7 Drawing Sheets**



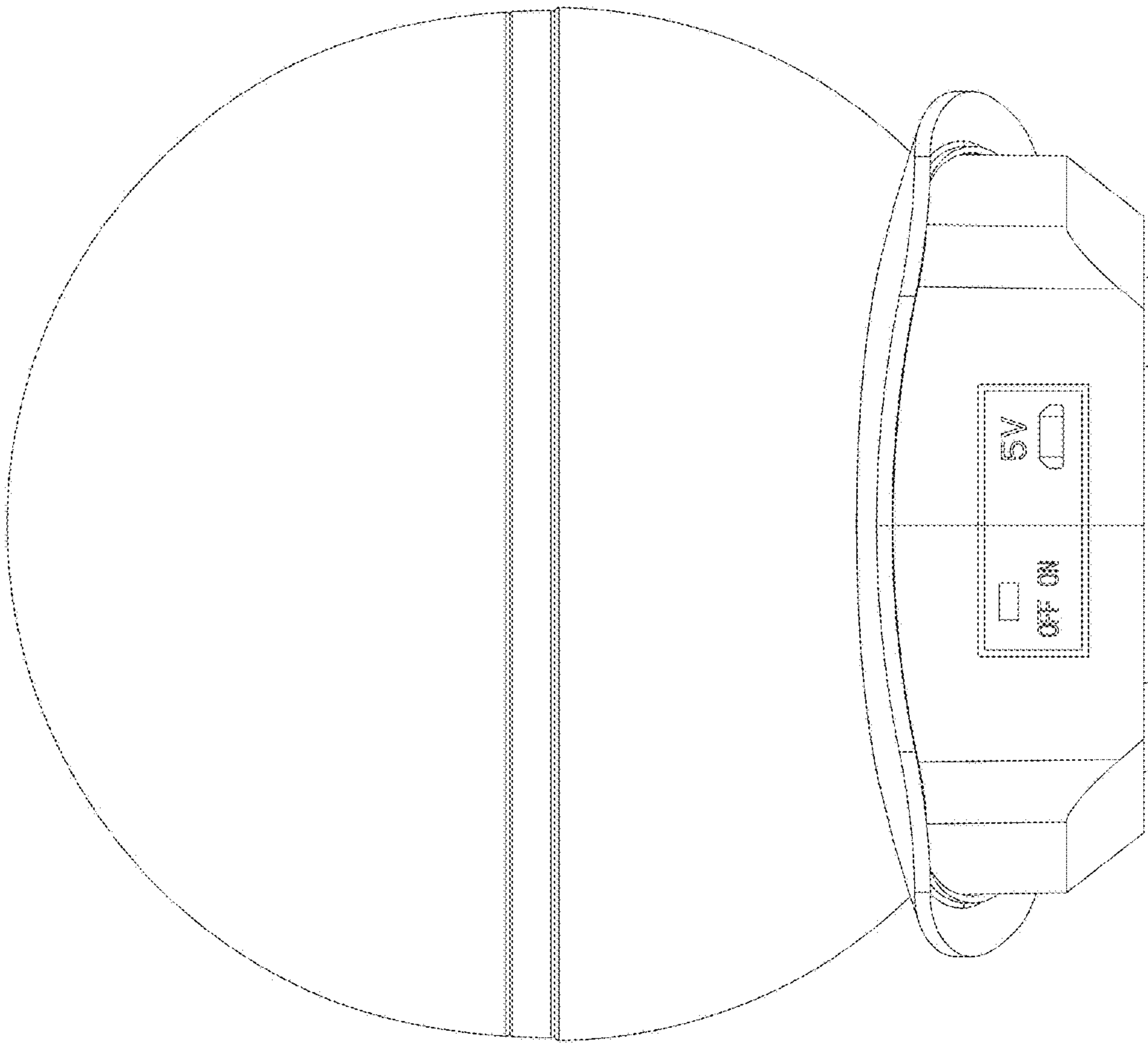


FIG. 1

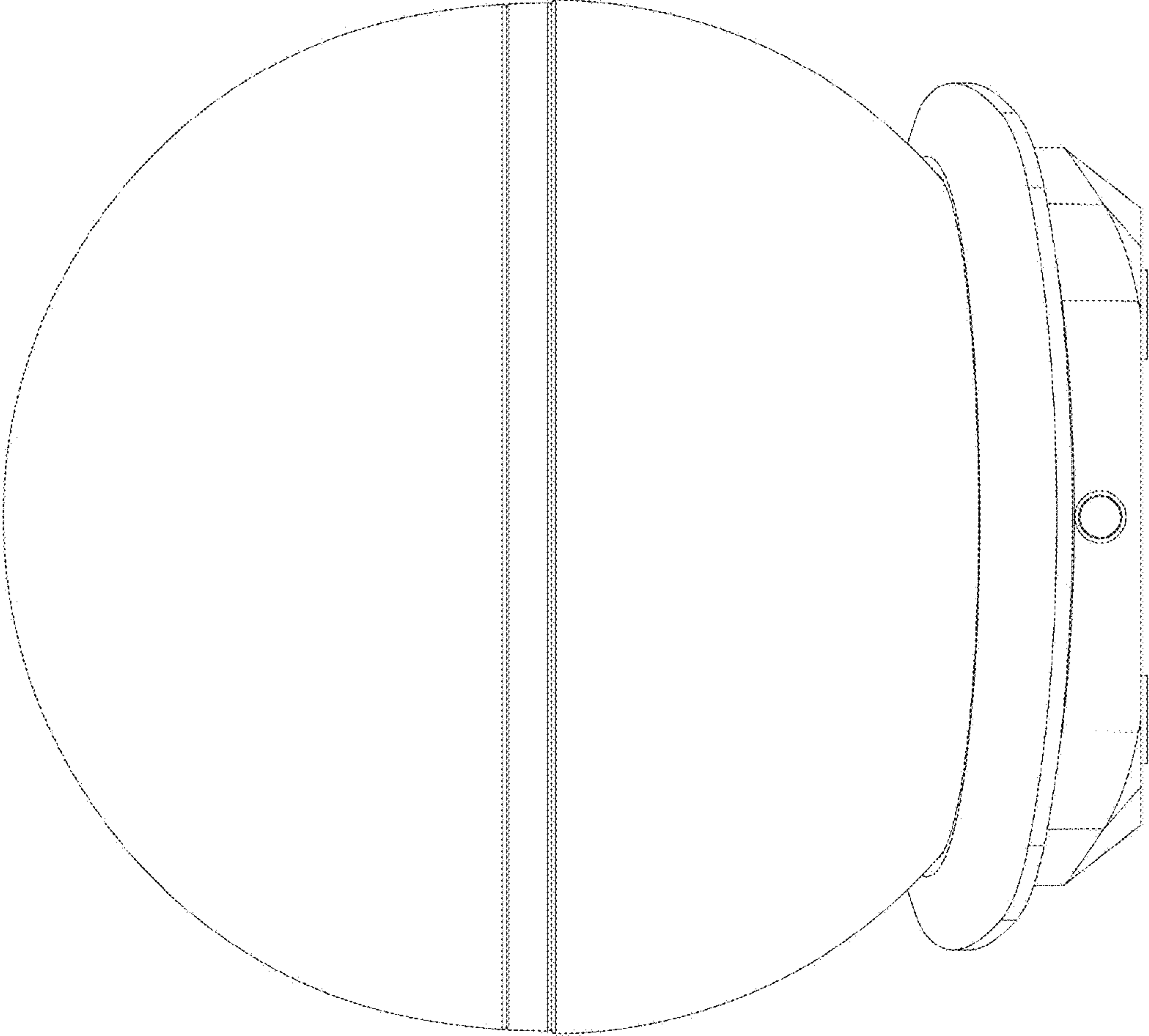


FIG. 2

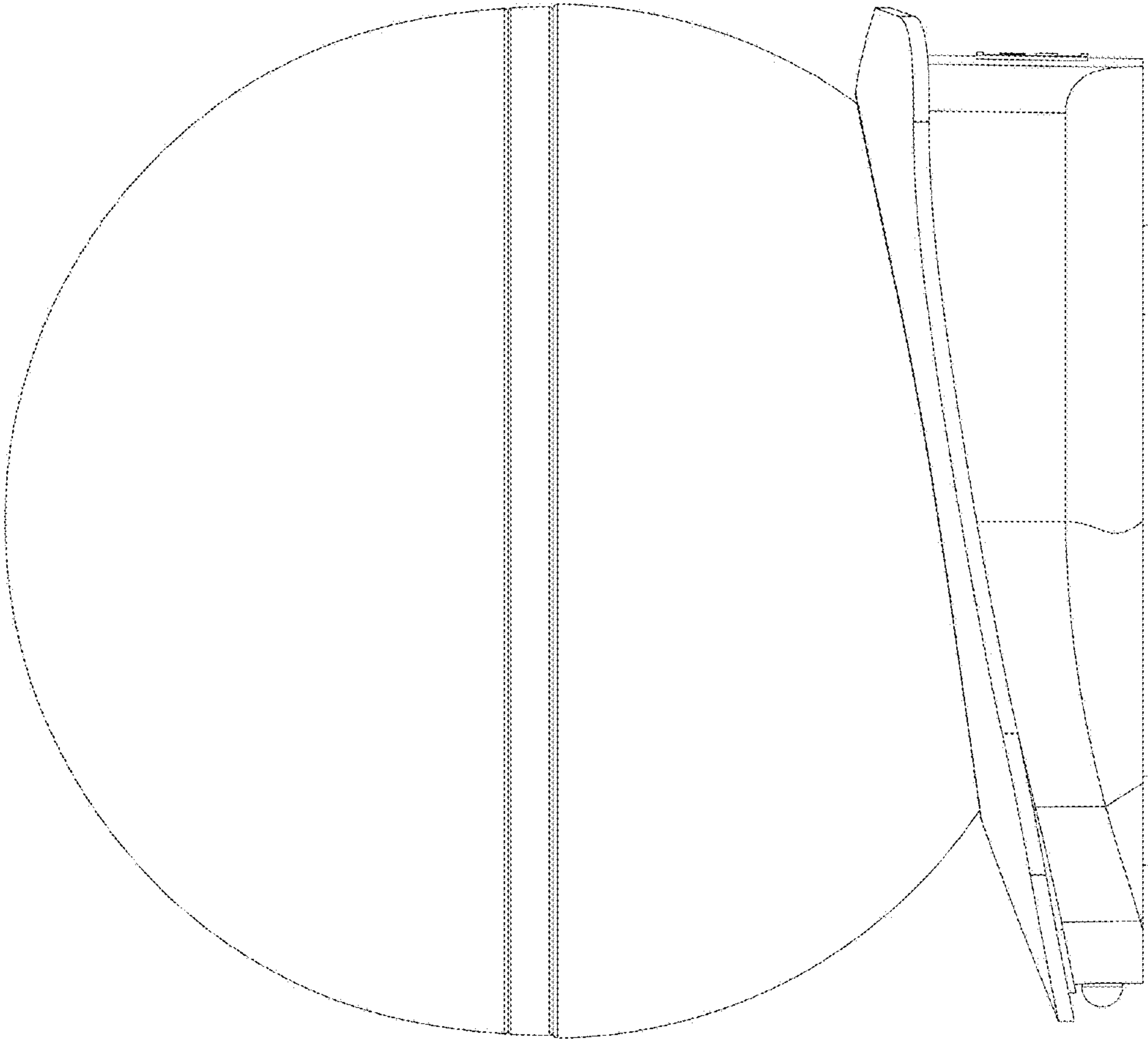


FIG. 3

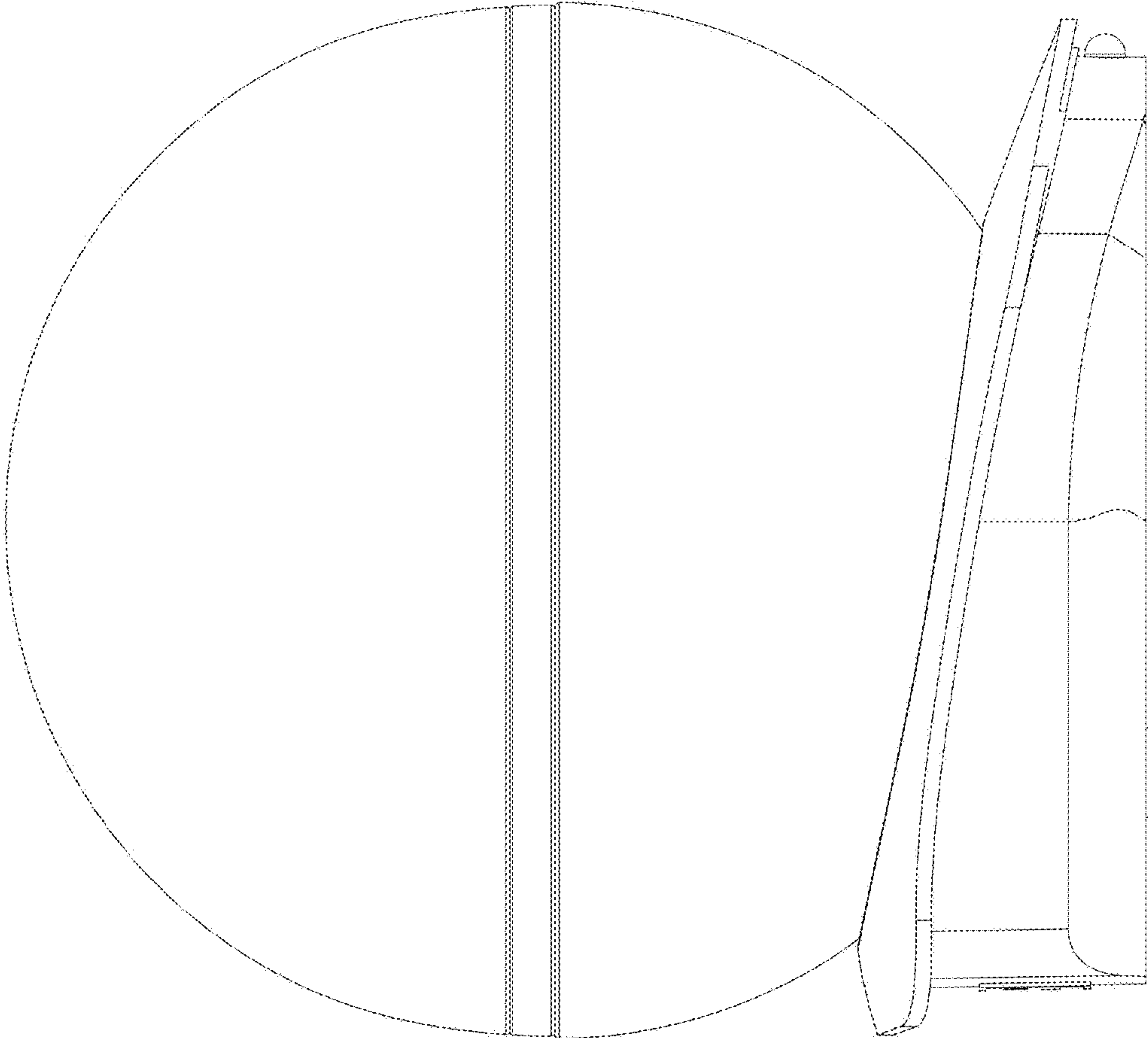


FIG. 4

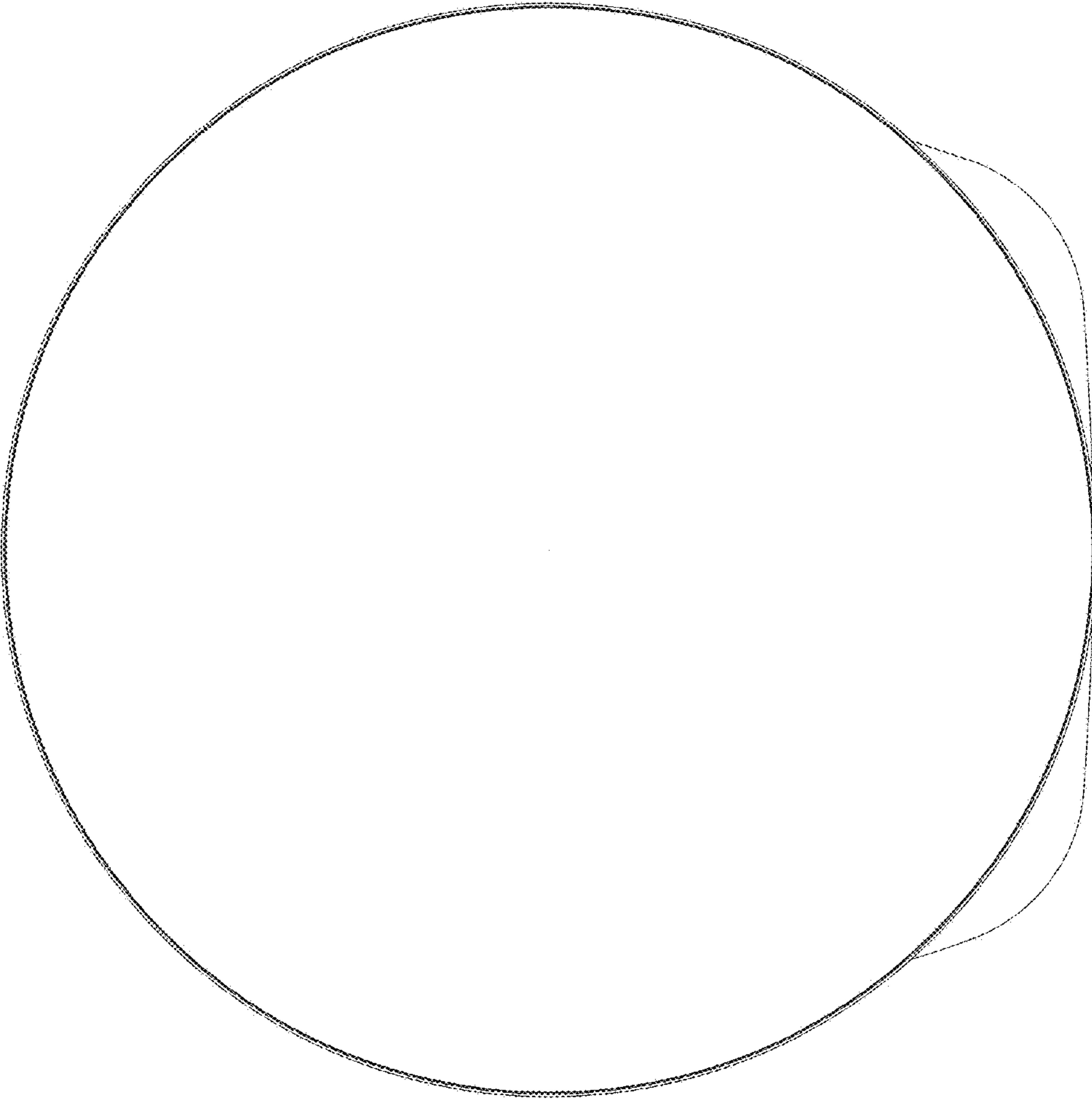


FIG. 5

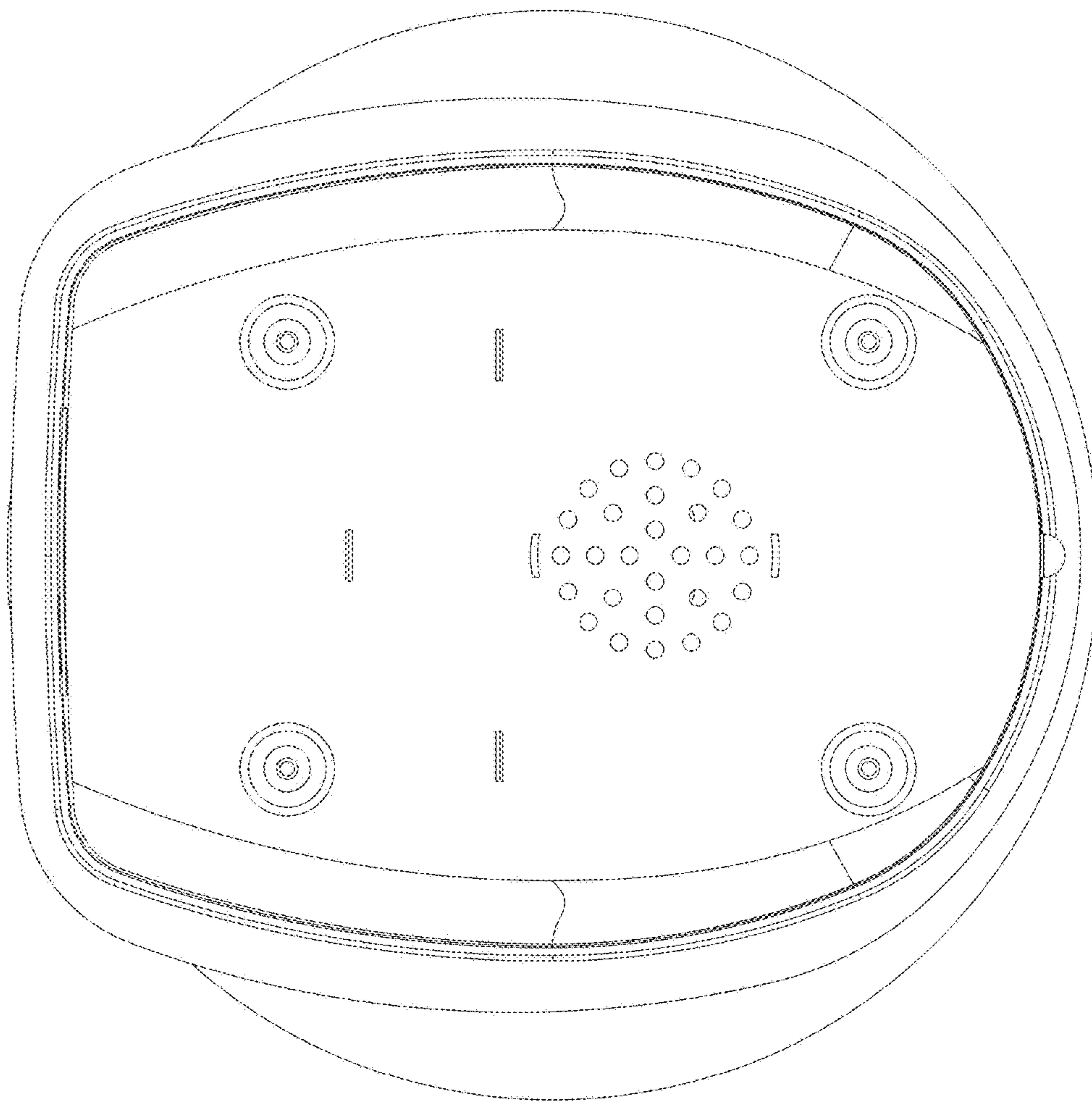


FIG. 6



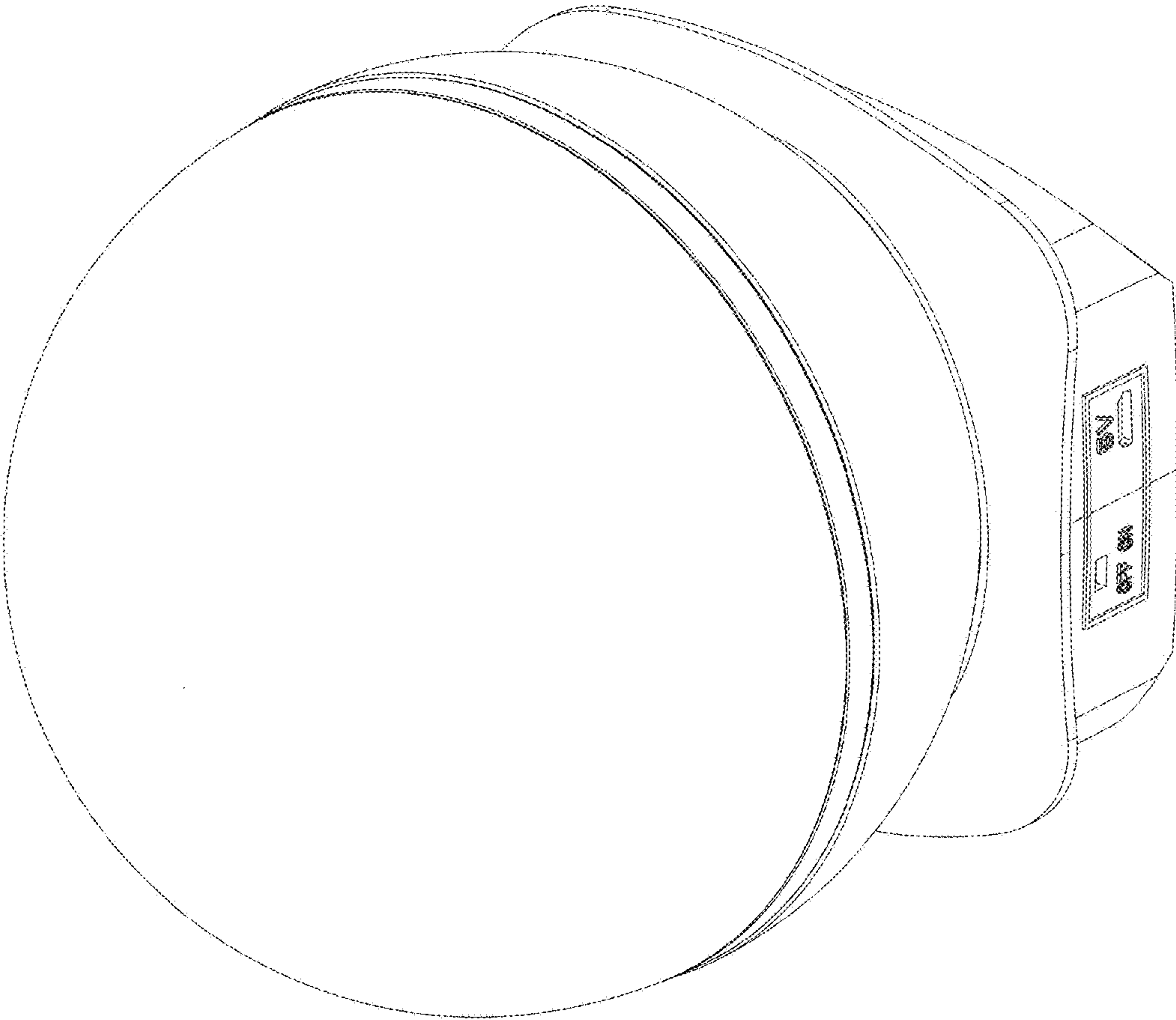


FIG. 7