



US00D852403S

(12) **United States Design Patent** (10) **Patent No.:** **US D852,403 S**
Starck (45) **Date of Patent:** **** *Jun. 25, 2019**

(54) **TABLE LAMP**

(71) Applicant: **FLOS S.P.A.**, Bovezzo (IT)

(72) Inventor: **Philippe Starck**, Brescia (IT)

(73) Assignee: **FLOS S.P.A.**, Bovezzo (IT)

(*) Notice: This patent is subject to a terminal disclaimer.

(**) Term: **15 Years**

(21) Appl. No.: **35/504,206**

(22) Filed: **Sep. 28, 2017**

(80) **Hague Agreement Data**

Int. Filing Date: **Sep. 28, 2017**

Int. Reg. No.: **DM/099030**

Int. Reg. Date: **Sep. 28, 2017**

Int. Reg. Pub. Date: **Dec. 29, 2017**

(30) **Foreign Application Priority Data**

Mar. 30, 2017 (IT) 402017000035294

(51) **LOC (11) Cl.** **26-05**

(52) **U.S. Cl.**
USPC **D26/93**

(58) **Field of Classification Search**

USPC D26/74, 75, 76, 78-86, 88, 90, 93, 104,
D26/106, 110, 111, 113, 118, 119, 120,
D26/121, 122, 138, 139, 140, 141, 142,
D26/152

CPC F21S 2/00; F21S 4/00; F21S 4/003; F21S
4/005; F21S 4/006; F21S 4/007; F21S
4/008; F21S 6/00; F21S 8/00; F21S
8/024; F21S 8/026; F21S 8/031; F21S
8/033; F21S 8/035-037; F21S 8/04; F21S
8/043; F21S 8/063

See application file for complete search history.

(56) **References Cited**

U.S. PATENT DOCUMENTS

D289,560 S *	4/1987	Manton	D26/110
D435,311 S *	12/2000	Dolan	D26/110
D448,517 S *	9/2001	Orozco	D26/110
D482,488 S *	11/2003	Holman	D26/110
D560,026 S *	1/2008	Shulem	D26/142
D595,008 S *	6/2009	Starck	D26/93
D614,343 S *	4/2010	Chiu	D26/93
D625,040 S *	10/2010	Starck	D26/93
D625,041 S *	10/2010	Starck	D26/93
D779,705 S *	2/2017	Starck	D26/93

* cited by examiner

Primary Examiner — Natasha Vujcic

(74) *Attorney, Agent, or Firm* — Thomas I Horstemeyer, LLP

(57) **CLAIM**

The ornamental design for a table lamp, as shown and described.

DESCRIPTION

1.1 is a front perspective view of a table lamp, showing my new design;

1.2 is a front view;

1.3 is a rear view;

1.4 is a left side view;

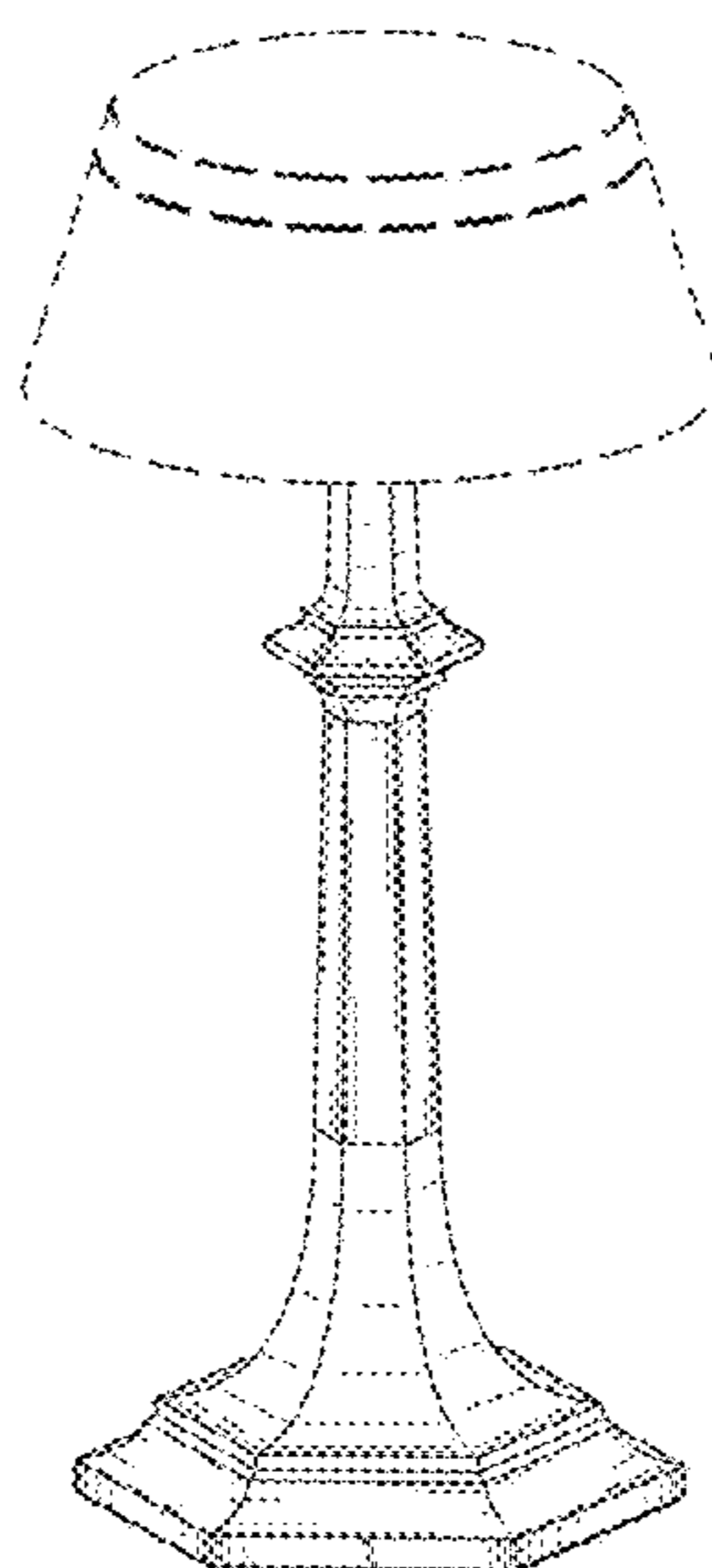
1.5 is a right side view;

1.6 is top view; and

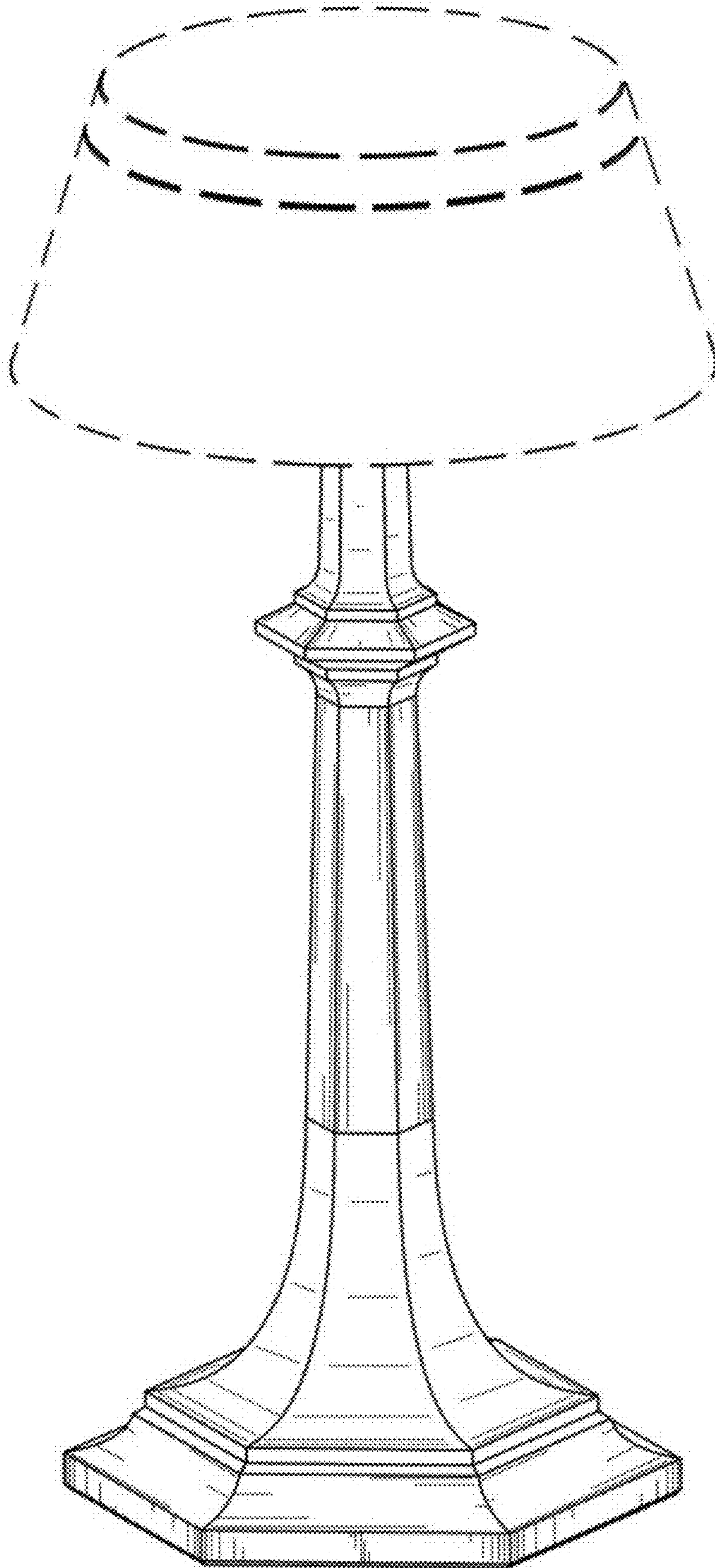
1.7 is a bottom view.

The broken lines shown in the drawings of the table lamp are for the purpose of illustrating the environment and form no part of the claimed design.

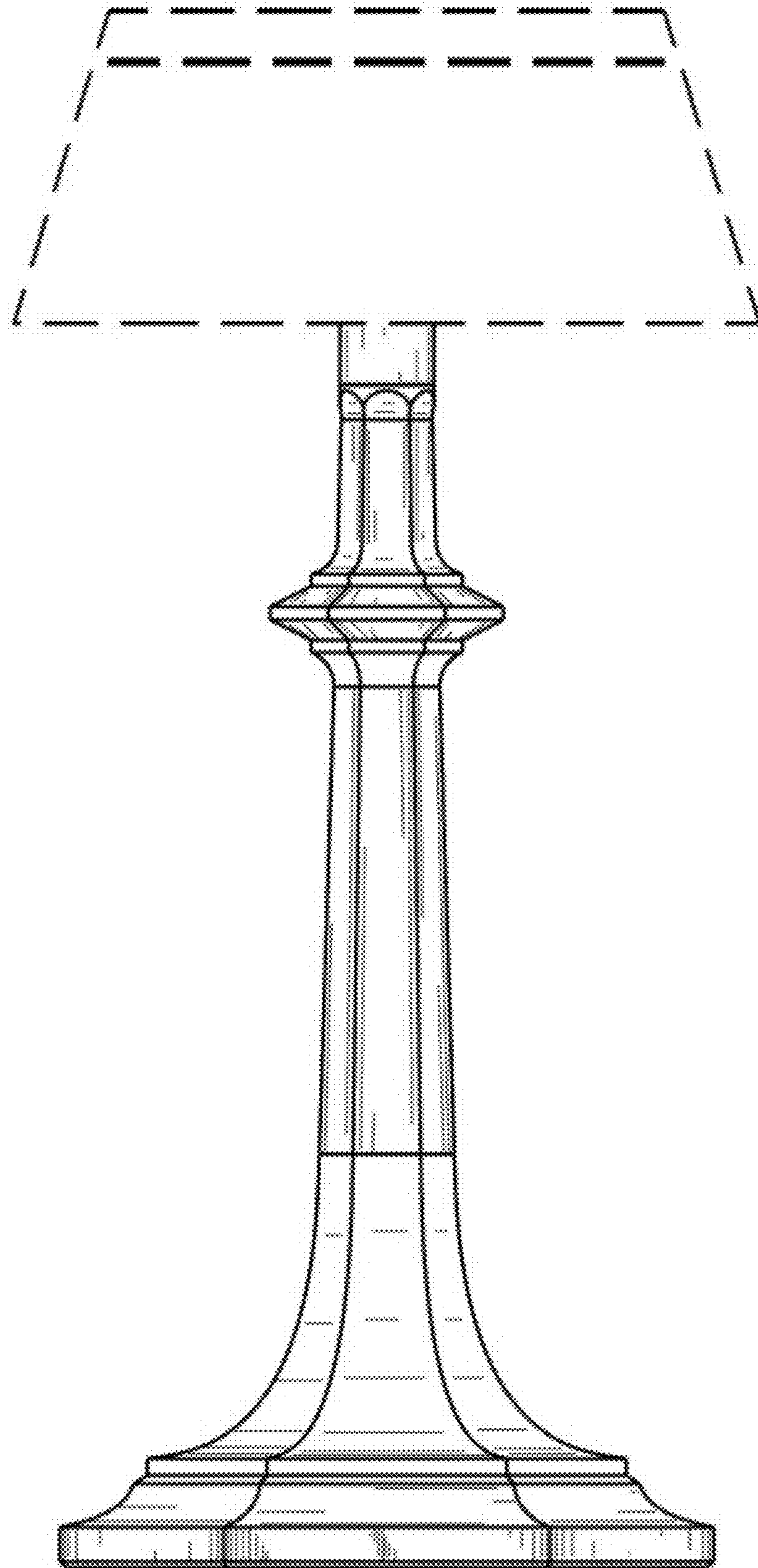
1 Claim, 7 Drawing Sheets



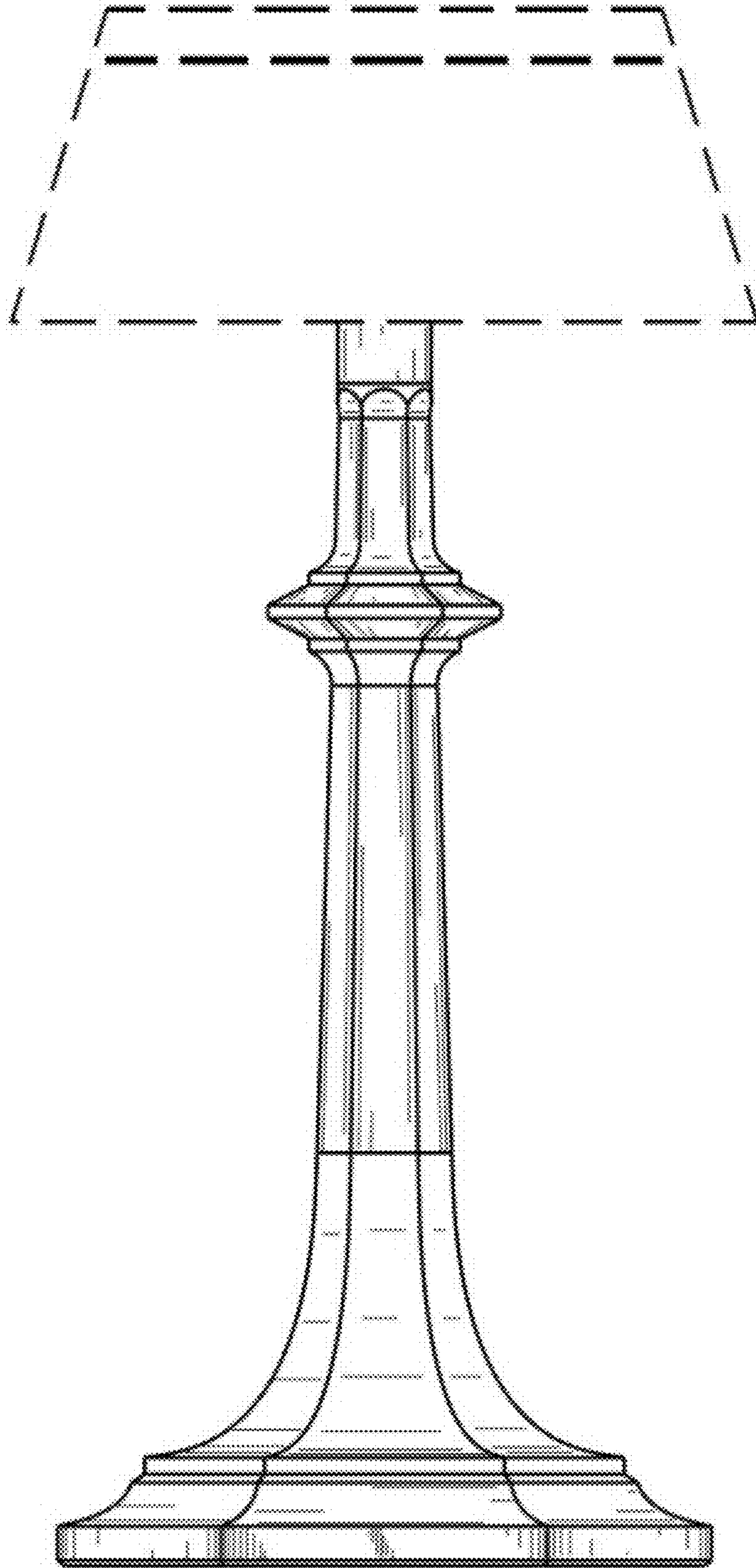
1.1



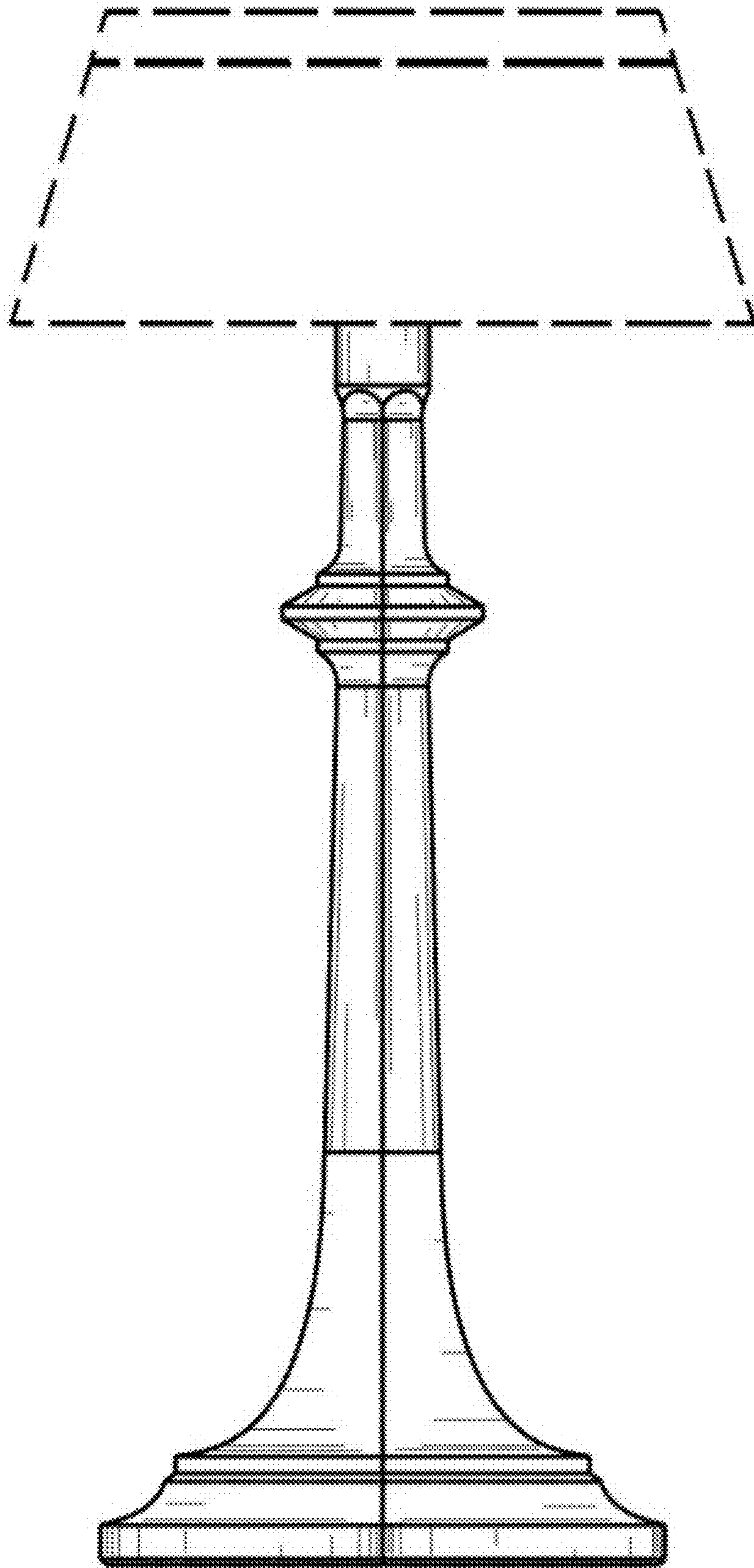
1.2



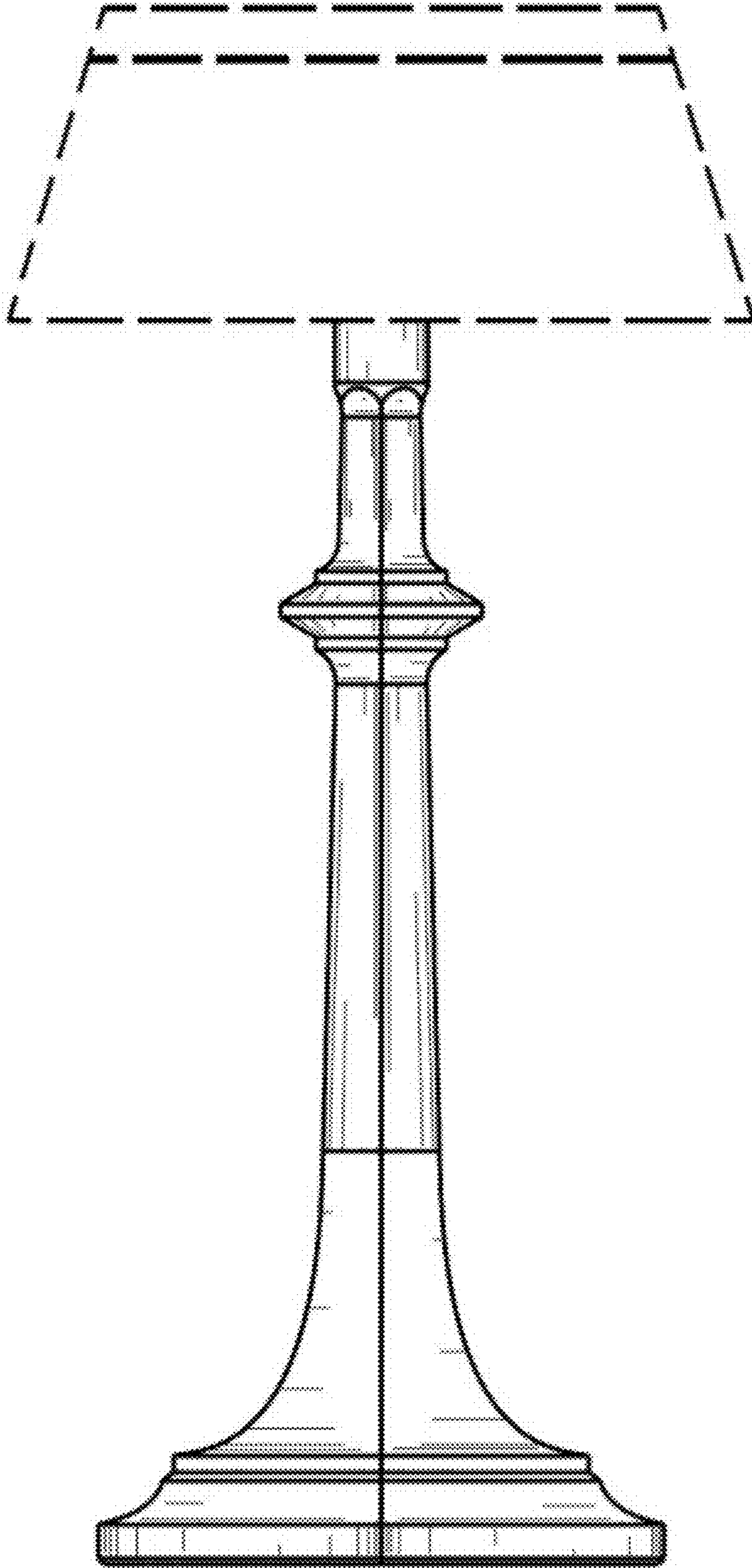
1.3



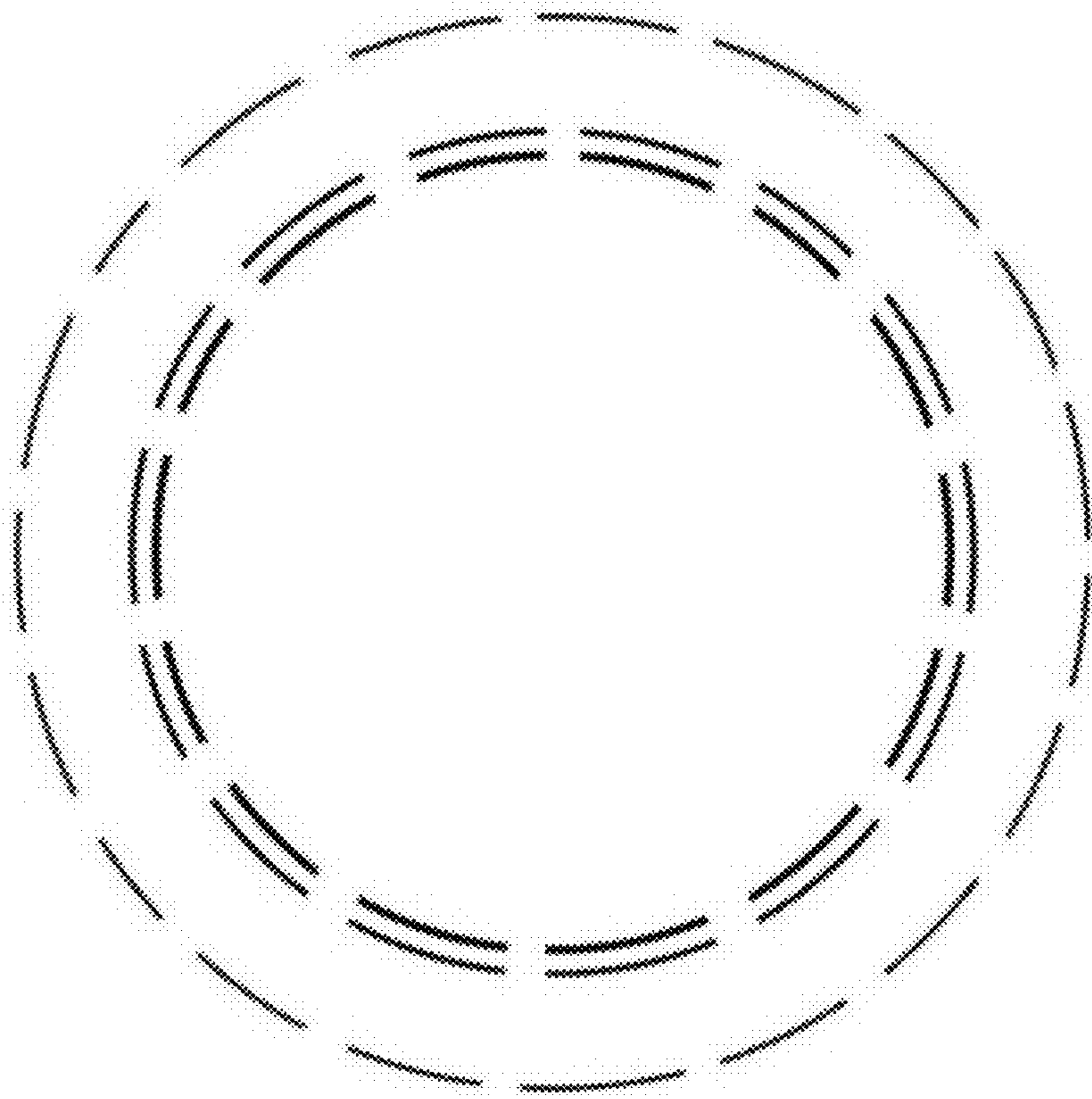
1.4



1.5



1.6



1.7

