



US00D852402S

(12) **United States Design Patent**
Zhu

(10) **Patent No.:** **US D852,402 S**
(45) **Date of Patent:** **** Jun. 25, 2019**

- (54) **LED CEILING LIGHT**
- (71) Applicant: **Dongsheng Zhu**, Guangdong (CN)
- (72) Inventor: **Dongsheng Zhu**, Guangdong (CN)
- (73) Assignee: **Shenzhen Smart & Green Technology Co., Ltd.**, Shenzhen
- (**) Term: **15 Years**
- (21) Appl. No.: **29/624,200**
- (22) Filed: **Oct. 31, 2017**
- (51) **LOC (11) Cl.** **26-03**
- (52) **U.S. Cl.**
USPC **D26/89**
- (58) **Field of Classification Search**
USPC D26/72, 79, 89
CPC F21S 8/03; F21S 8/031; F21S 8/04; F21S 8/043; F21S 8/06; F21S 8/063; F21V 29/76; F21V 29/763; F21V 29/767; F21V 29/77; F21V 29/78; F21W 2131/1005; F21W 2131/107; F21W 2131/402
See application file for complete search history.

D729,970	S	*	5/2015	Jepson	D26/89
D759,877	S	*	6/2016	Hewitt	D26/89
D779,106	S	*	2/2017	Krueckeberg	D26/89
D785,848	S	*	5/2017	Couture	D26/89
2016/0116147	A1	*	4/2016	Liang	F21V 23/023 362/147
2016/0356462	A1	*	12/2016	O'Brien	F21V 21/02
2017/0009962	A1	*	1/2017	Feit	F21V 21/03
2017/0234513	A1	*	8/2017	Tang	F21V 19/02 362/368
2017/0268736	A1	*	9/2017	Harpenau	F21S 8/043

* cited by examiner

Primary Examiner — Clare E Heflin

(57) **CLAIM**

The ornamental design for the LED ceiling light, as shown and described.

DESCRIPTION

FIG. 1 is a perspective view of the LED ceiling light showing my new design;
 FIG. 2 is a front elevational view thereof;
 FIG. 3 is a rear elevational view thereof;
 FIG. 4 is a right side view thereof;
 FIG. 5 is a left side view thereof;
 FIG. 6 is a bottom plan view thereof; and,
 FIG. 7 is a top plan view thereof.

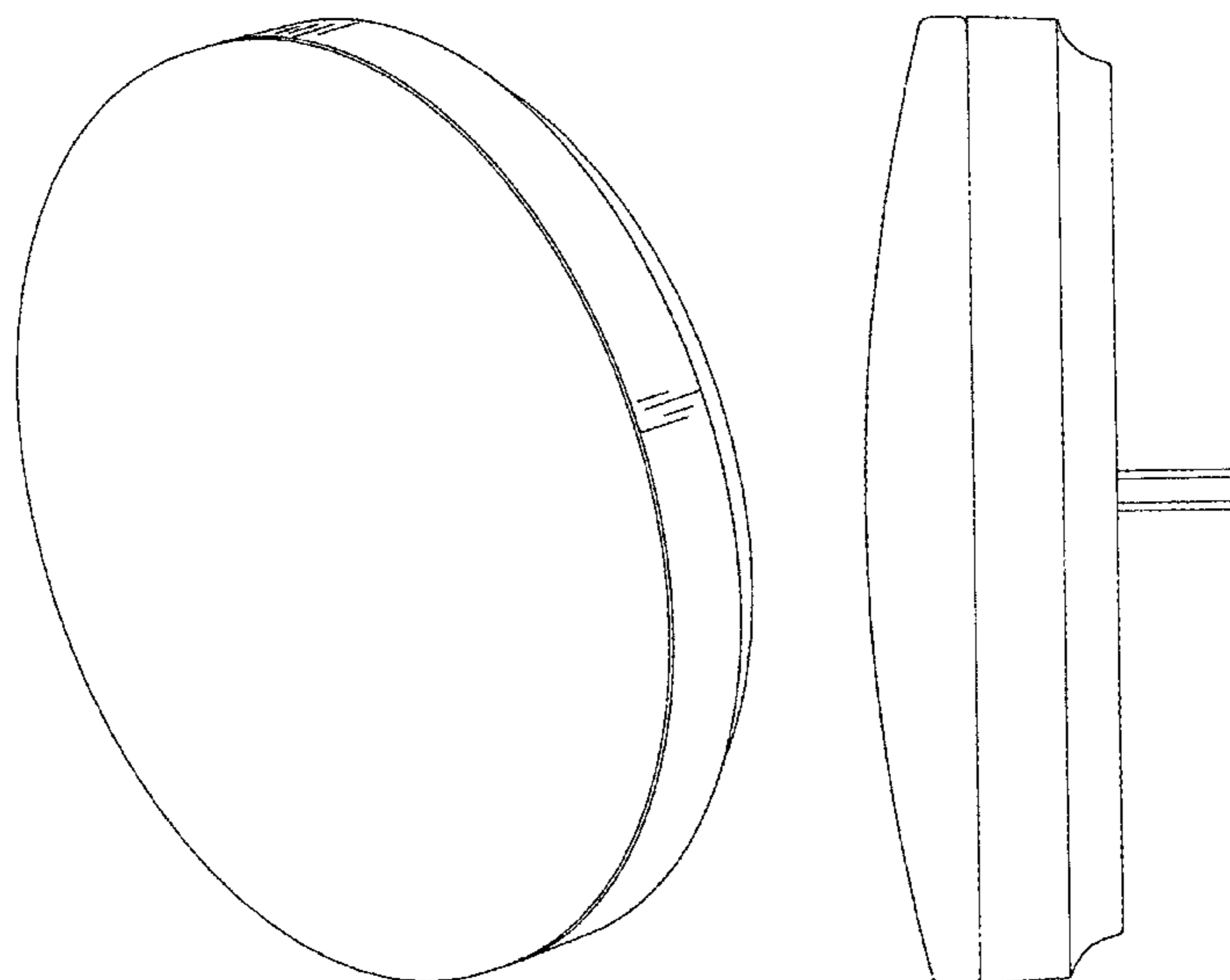
In the drawing views, the broken lines represent unclaimed portions of the LED ceiling light and form no part of the claimed design.

1 Claim, 7 Drawing Sheets

(56) **References Cited**

U.S. PATENT DOCUMENTS

D490,182	S	*	5/2004	Benensohn	D26/79
D501,573	S	*	2/2005	Benensohn	D26/89
D556,938	S	*	12/2007	Russello	D26/89
D633,644	S	*	3/2011	Sprengers	D26/89
D634,057	S	*	3/2011	Nguyen	D26/89
D647,227	S	*	10/2011	Kaule	D26/24



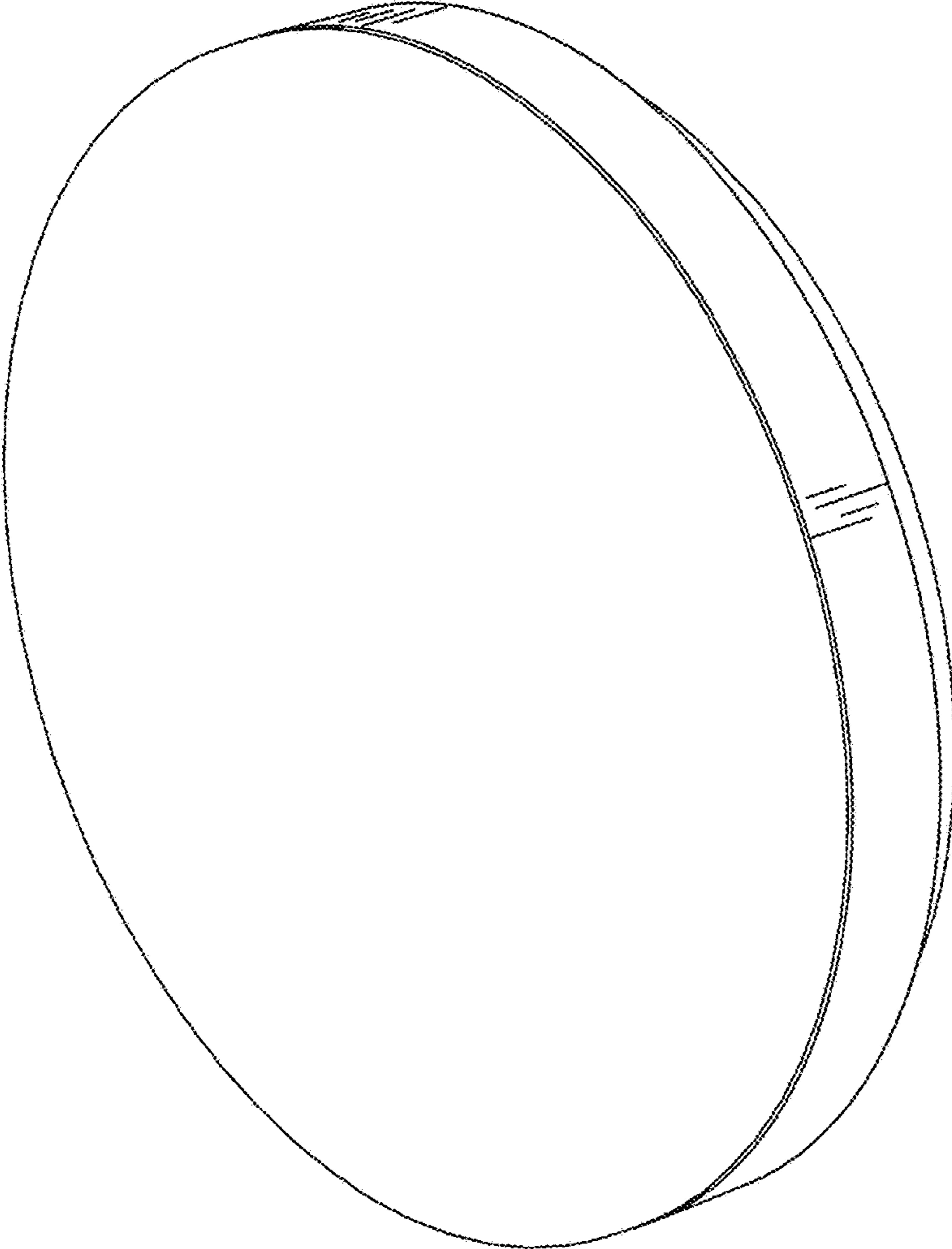


FIG. 1

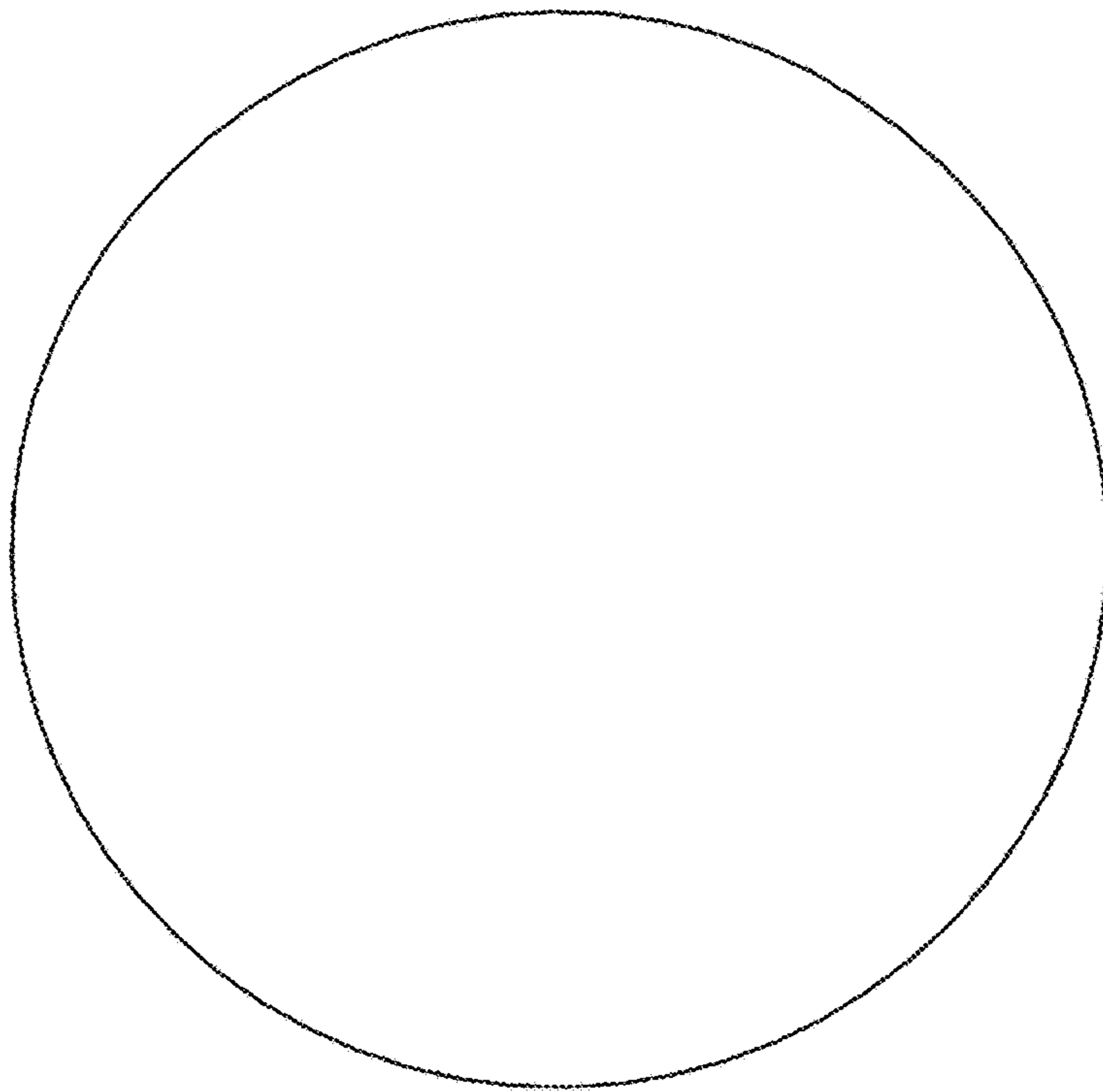


FIG. 2

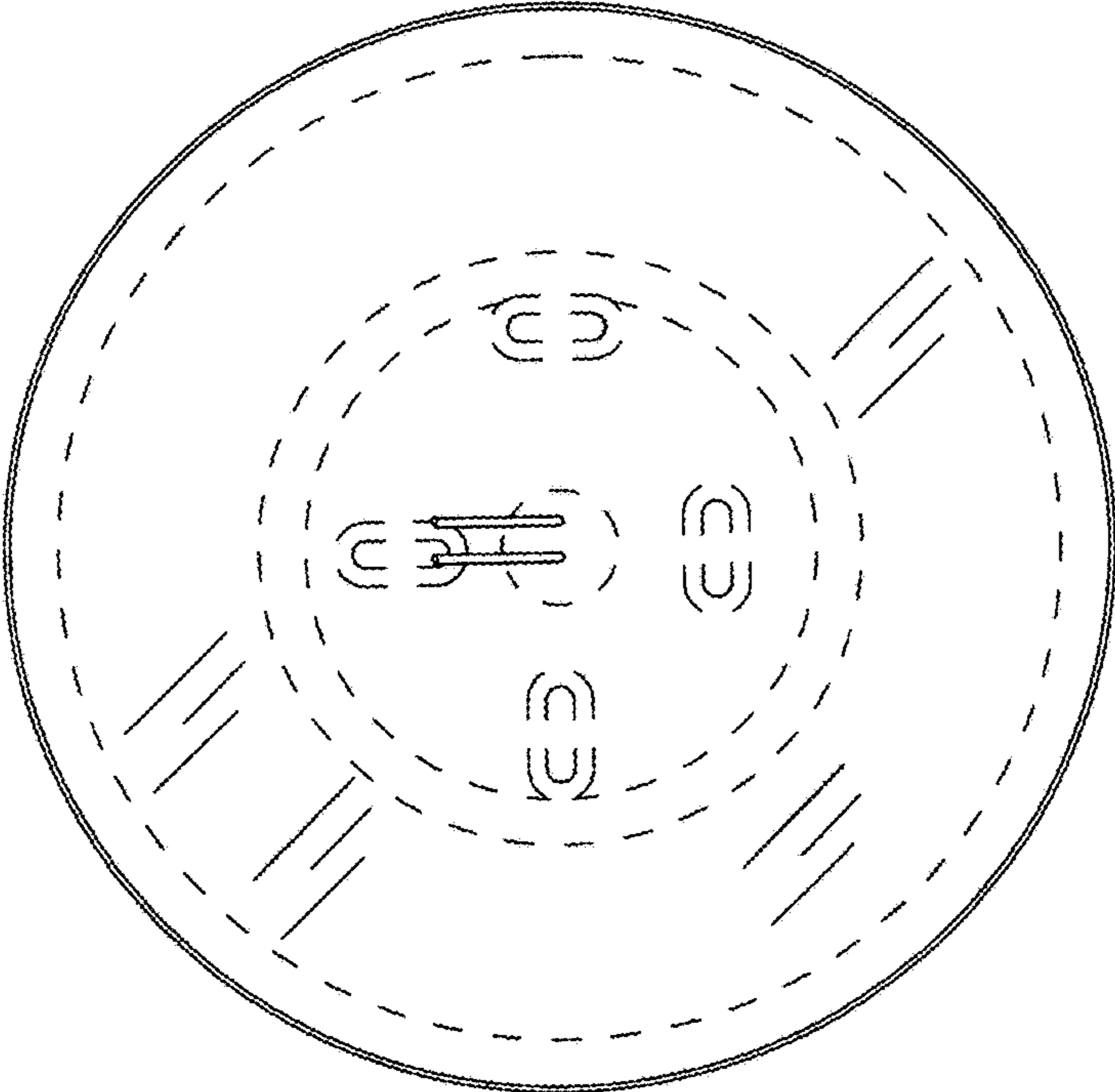


FIG. 3

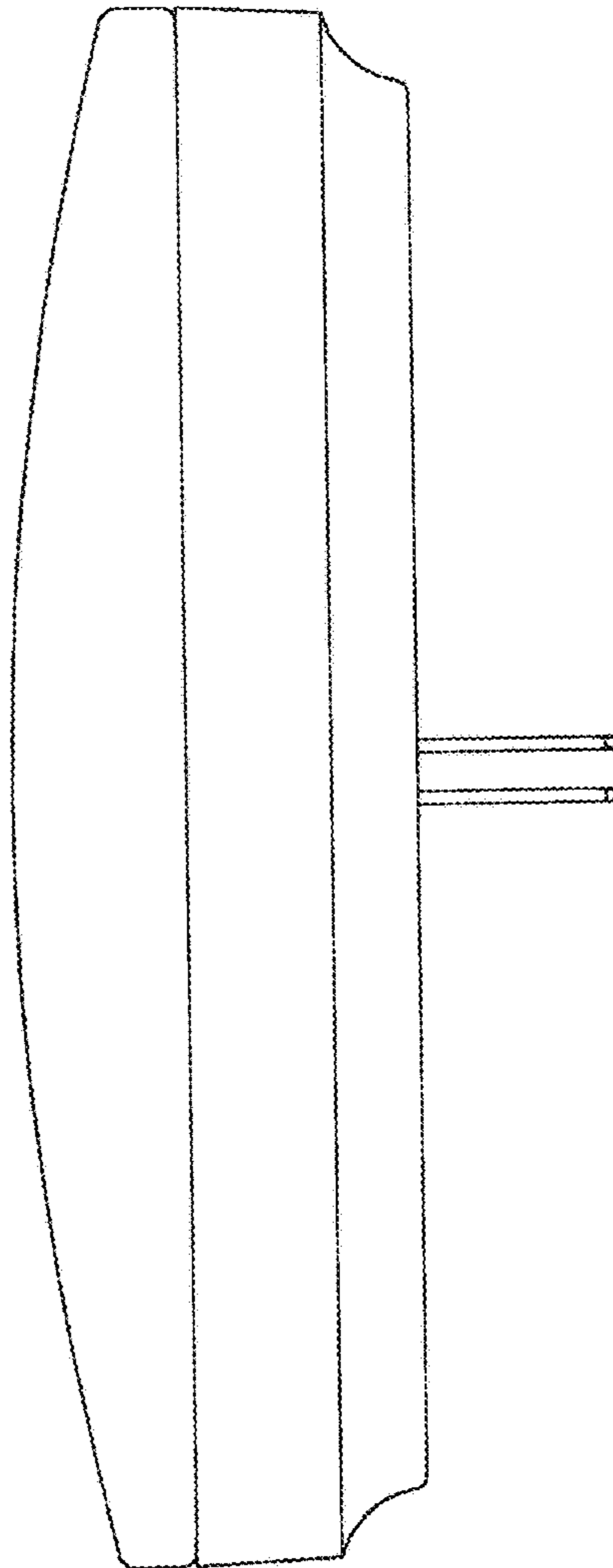


FIG. 4

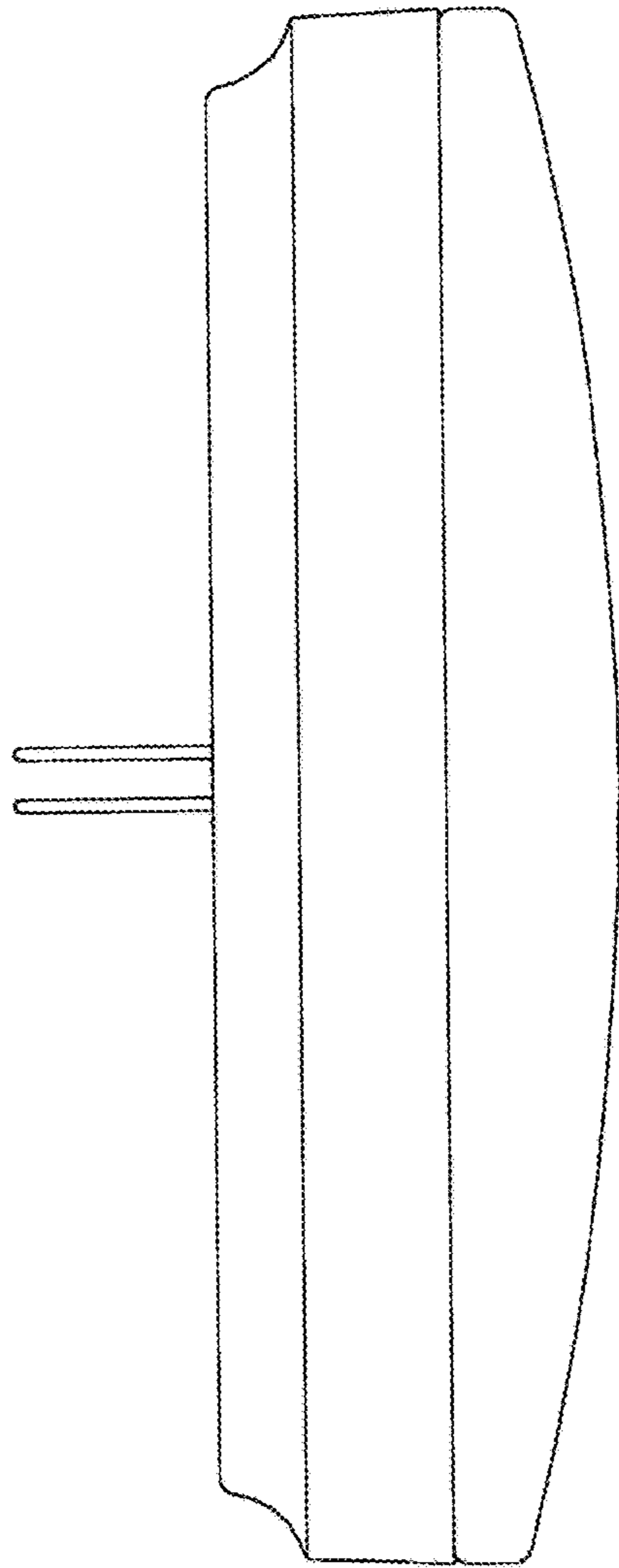


FIG. 5

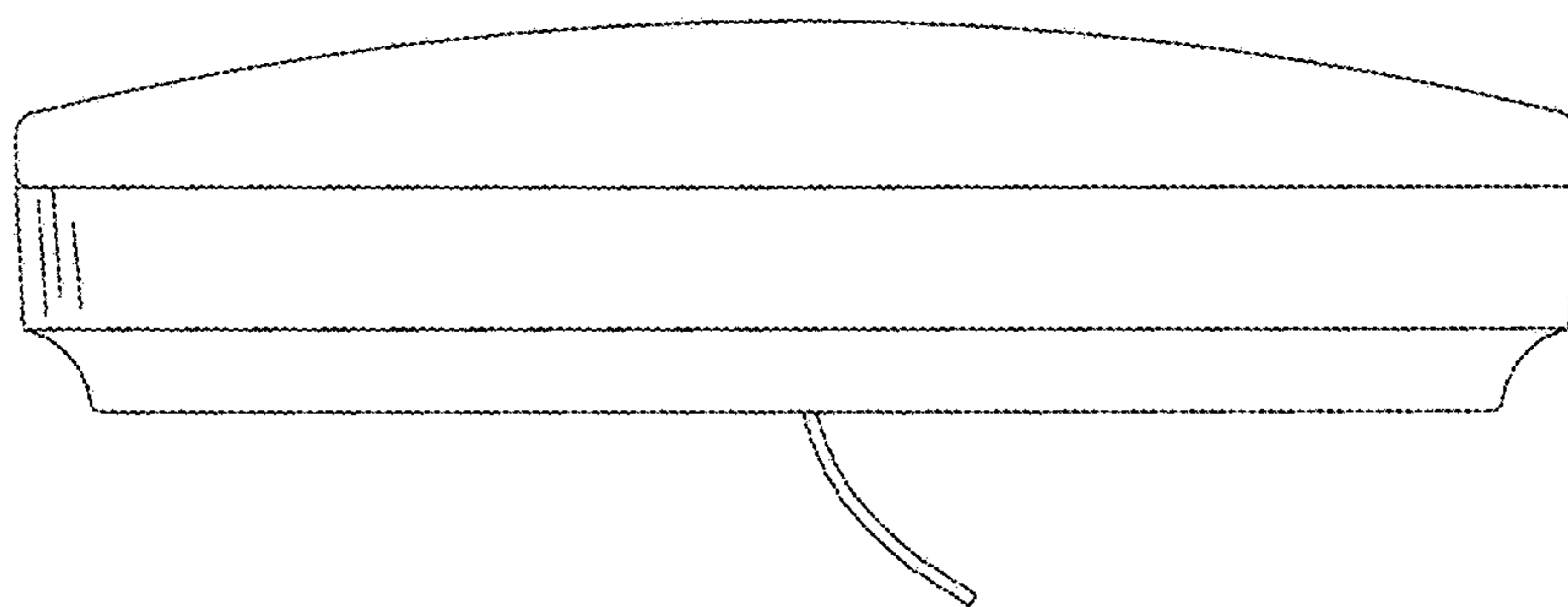


FIG. 6

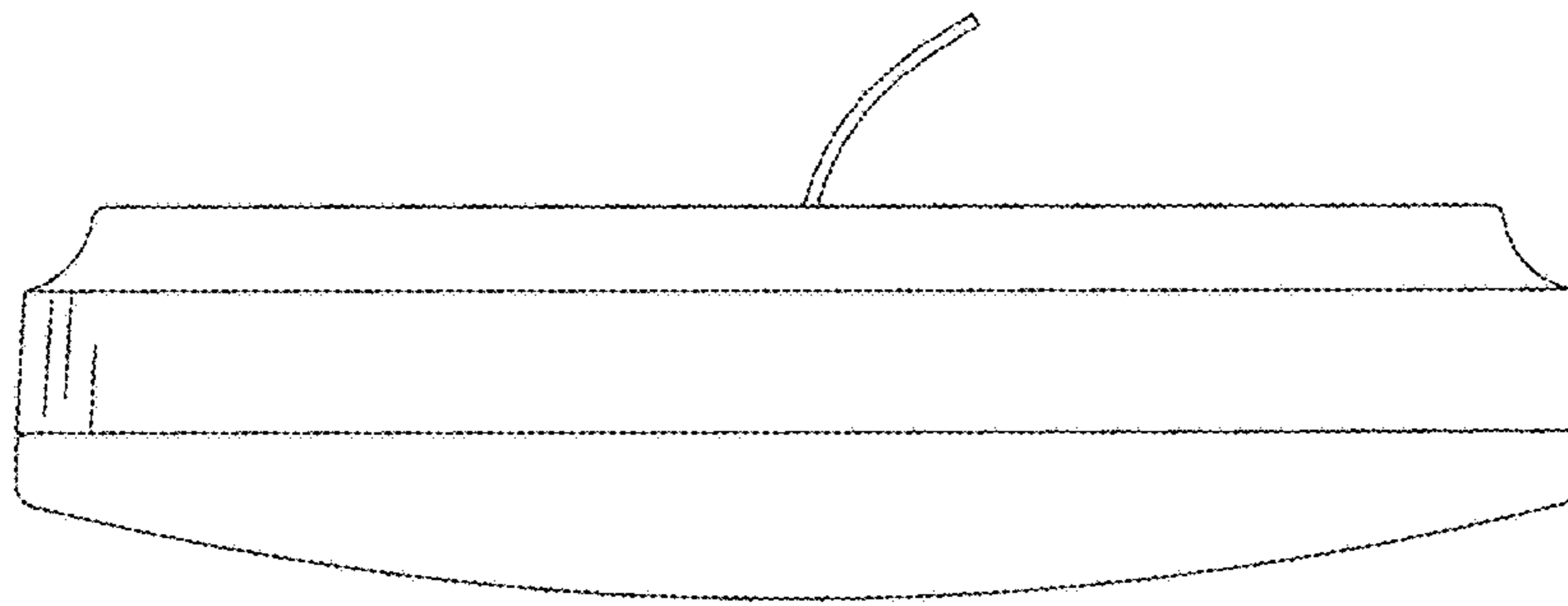


FIG. 7