



US00D852401S

(12) **United States Design Patent**
Corr

(10) **Patent No.:** **US D852,401 S**

(45) **Date of Patent:** **** Jun. 25, 2019**

- (54) **PENDANT LIGHT FIXTURE**
- (71) Applicant: **TOURMALINE DESIGN LLC**,
Brooklyn, NY (US)
- (72) Inventor: **Jessica Corr**, New York, NY (US)
- (73) Assignee: **TOURMALINE DESIGN LLC**,
Brooklyn, NY (US)
- (**) Term: **15 Years**
- (21) Appl. No.: **29/621,952**
- (22) Filed: **Oct. 12, 2017**
- (51) **LOC (11) Cl.** **26-03**
- (52) **U.S. Cl.**
USPC **D26/84; D26/82**
- (58) **Field of Classification Search**
USPC D26/81-92, 118
CPC F21S 8/06; F21S 8/061; F21S 8/063; F21S
8/065; F21V 5/06
See application file for complete search history.

(56) **References Cited**

U.S. PATENT DOCUMENTS

452,701	A *	5/1891	Gartner et al.	F21V 17/02 362/283
827,783	A *	8/1906	Brown	F21S 8/065 248/317
3,258,239	A *	6/1966	Green	F21S 8/061 248/342
D325,649	S *	4/1992	Pearce	F21S 8/065 D26/84
D598,602	S *	8/2009	Laarman	F21S 8/061 D26/84
D837,441	S *	1/2019	Odgaard	D26/88
2012/0257391	A1 *	10/2012	Sigel	F21V 5/06 362/249.16
2012/0300436	A1 *	11/2012	Hackett	F21S 9/037 362/127

2014/0036517 A1* 2/2014 Machiorlette F21V 21/008
362/387

2016/0033099 A1* 2/2016 Bergman F21S 8/061
362/236

2018/0195683 A1* 7/2018 Sonneman F21V 5/04

* cited by examiner

Primary Examiner — Clare E Heflin

(74) *Attorney, Agent, or Firm* — Myron Greenspan;
Lackebach Siegel, LLP

(57) **CLAIM**

I claim the ornamental design for a pendant light fixture, as shown and described.

DESCRIPTION

FIG. 1 is a perspective view of a pendant light fixture showing my new design;

FIG. 2. is a top plan view thereof;

FIG. 3. is a right side elevational view thereof, the left side elevational view being identical to the right side elevational view;

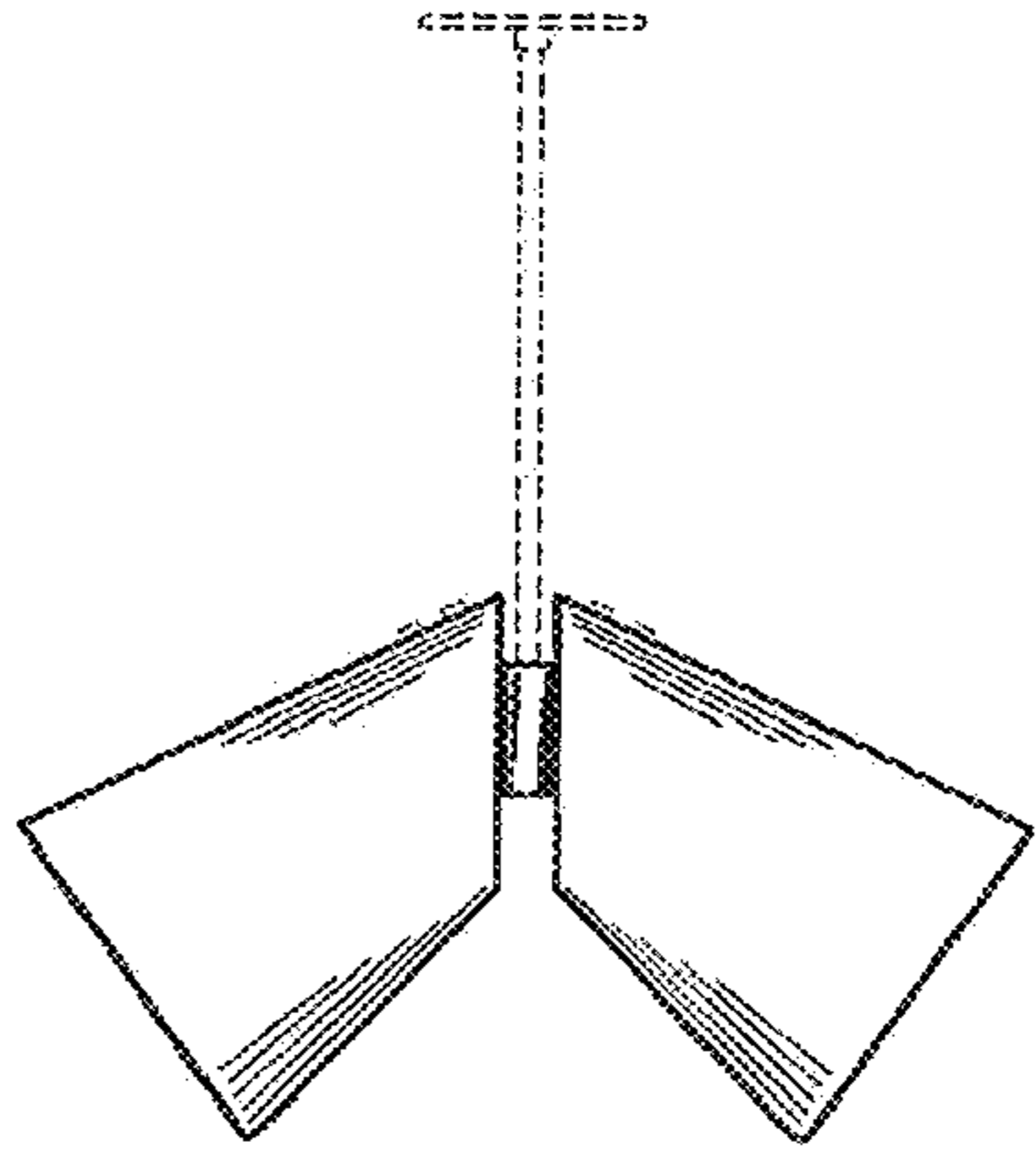
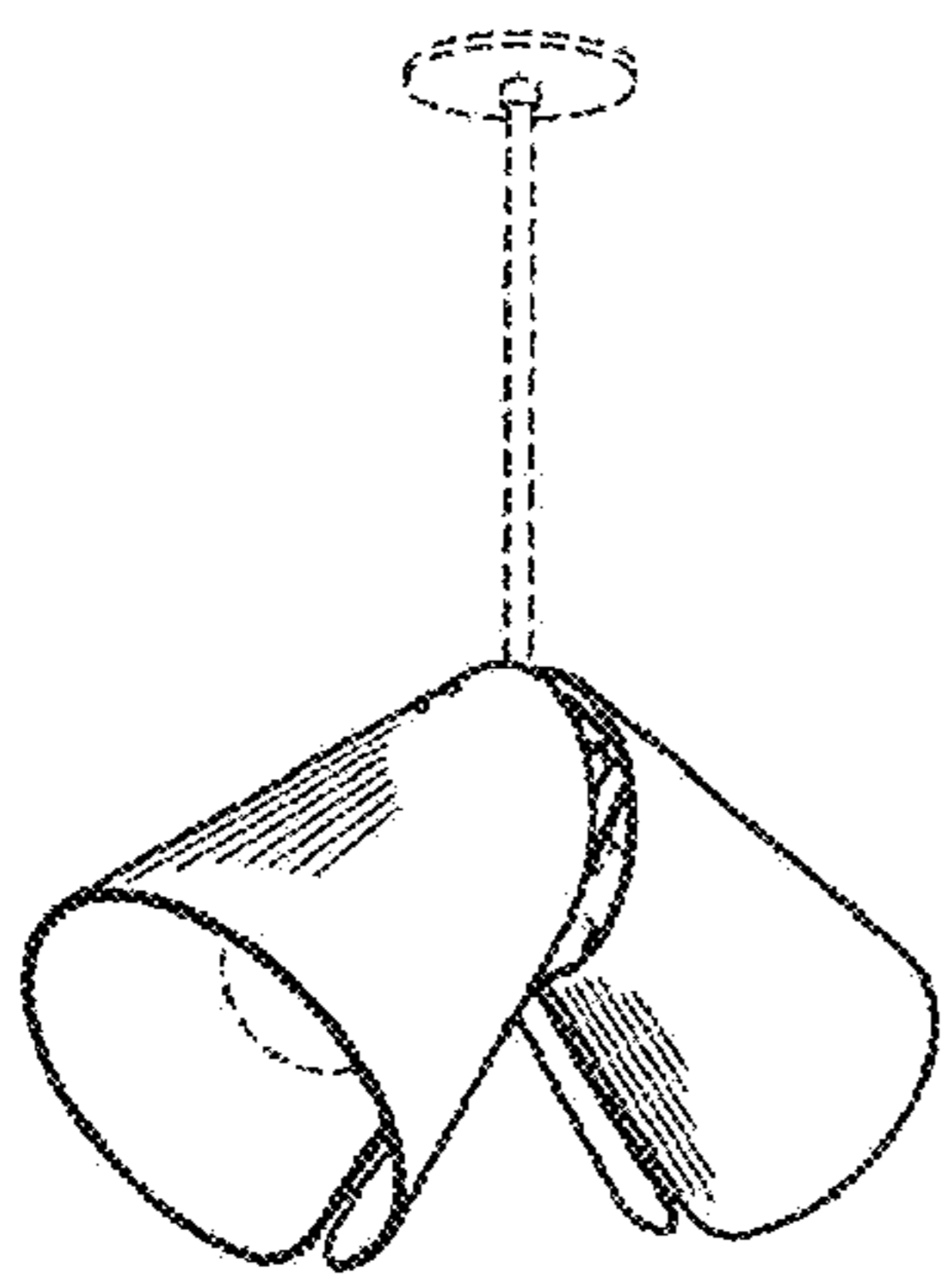
FIG. 4 is a front elevational view thereof, the rear elevational view being identical to the front elevational, view; and,

FIG. 5 is a bottom plan view thereof.

The broken lines shown on the drawings depict portions of the pendant light fixture that form no part of the claimed design.

My suspended pendant light fixture design is characterized by a unique shape as shown, made from metal sheet formed into conical shades which enclose two lamps and lamp-holders in a symmetrical fashion. The luminaire hangs from a central metal pipe that connects the two halves of the fixture.

1 Claim, 1 Drawing Sheet



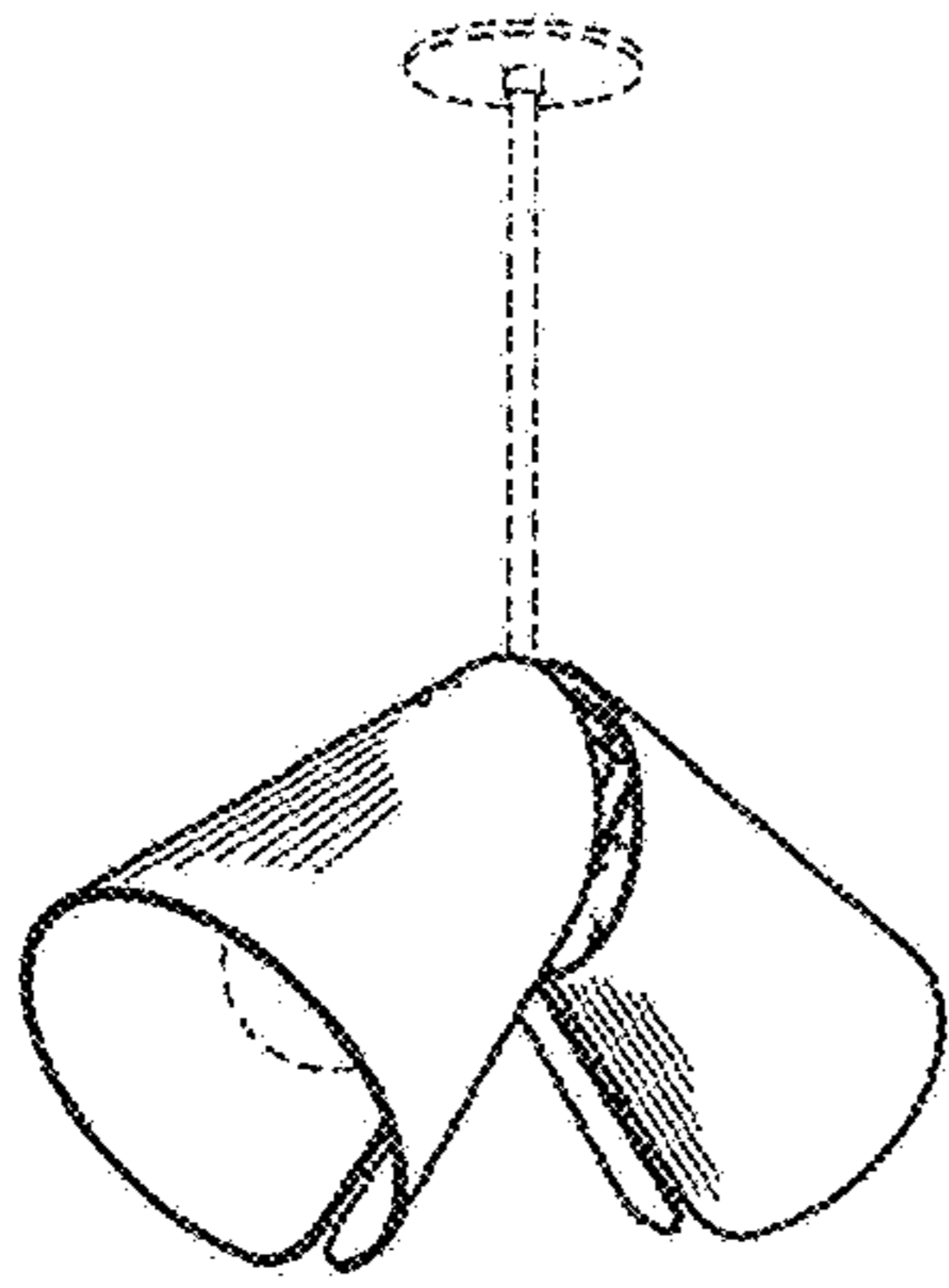


FIG. 1

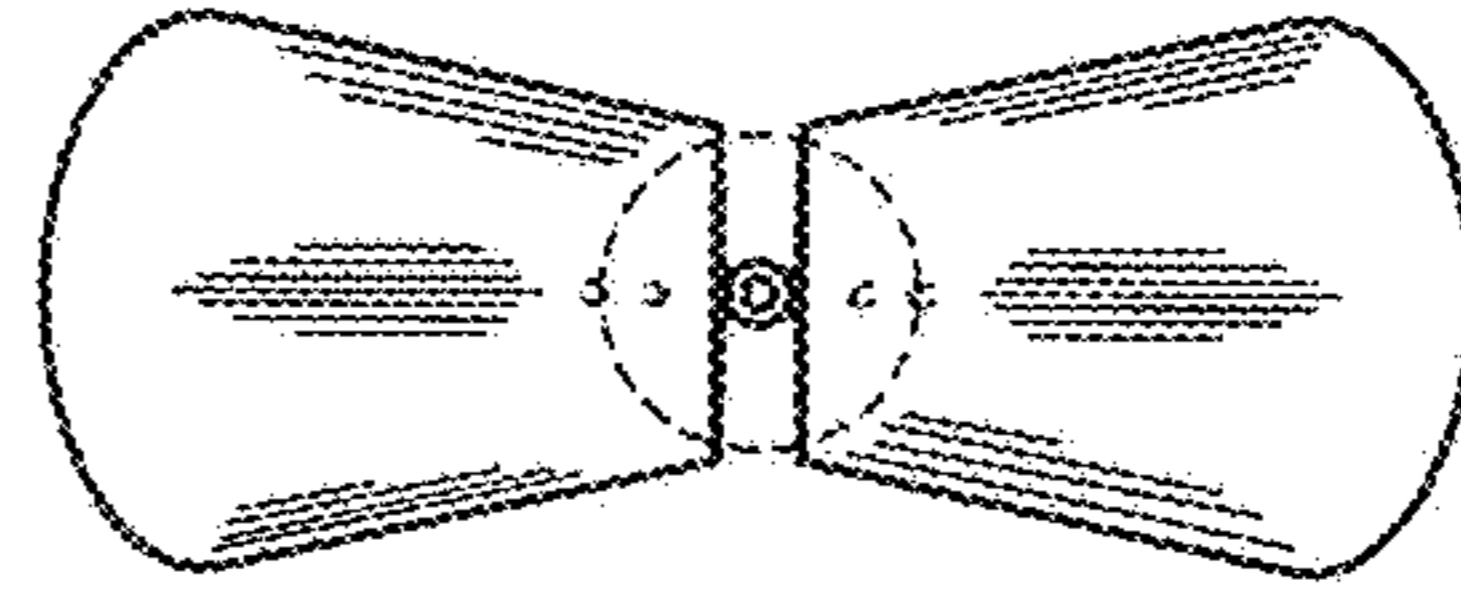


FIG. 2

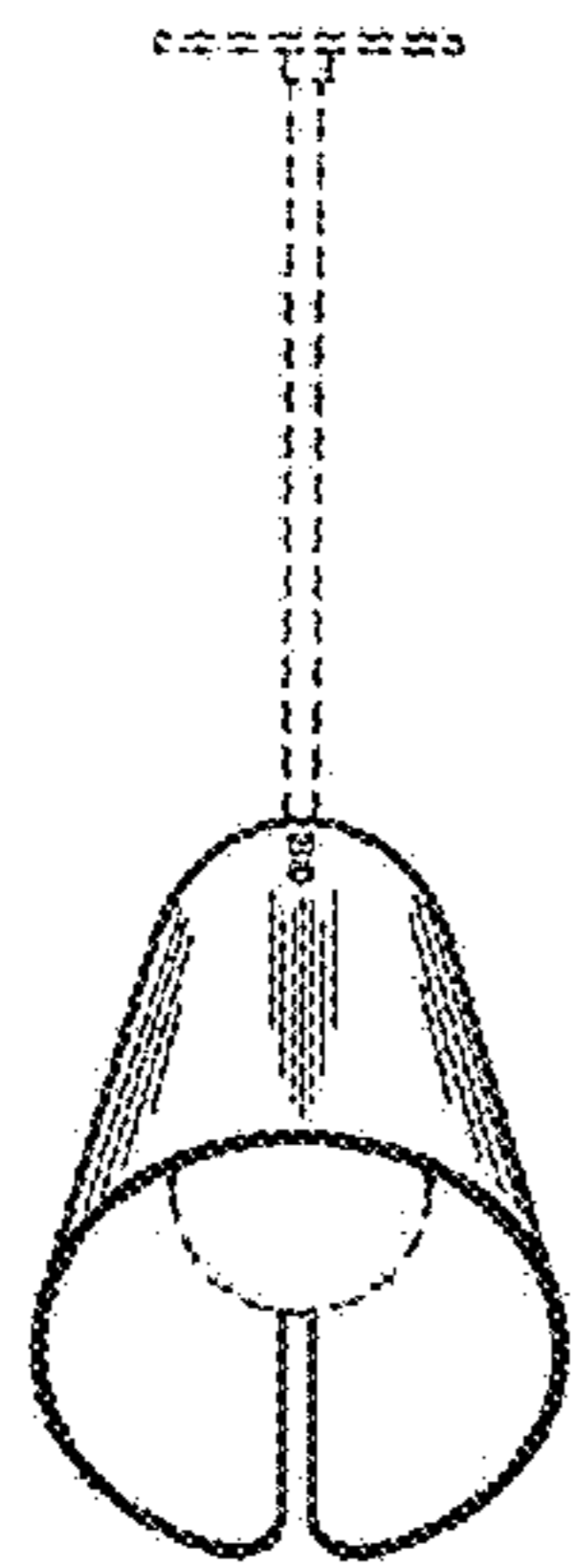


FIG. 3

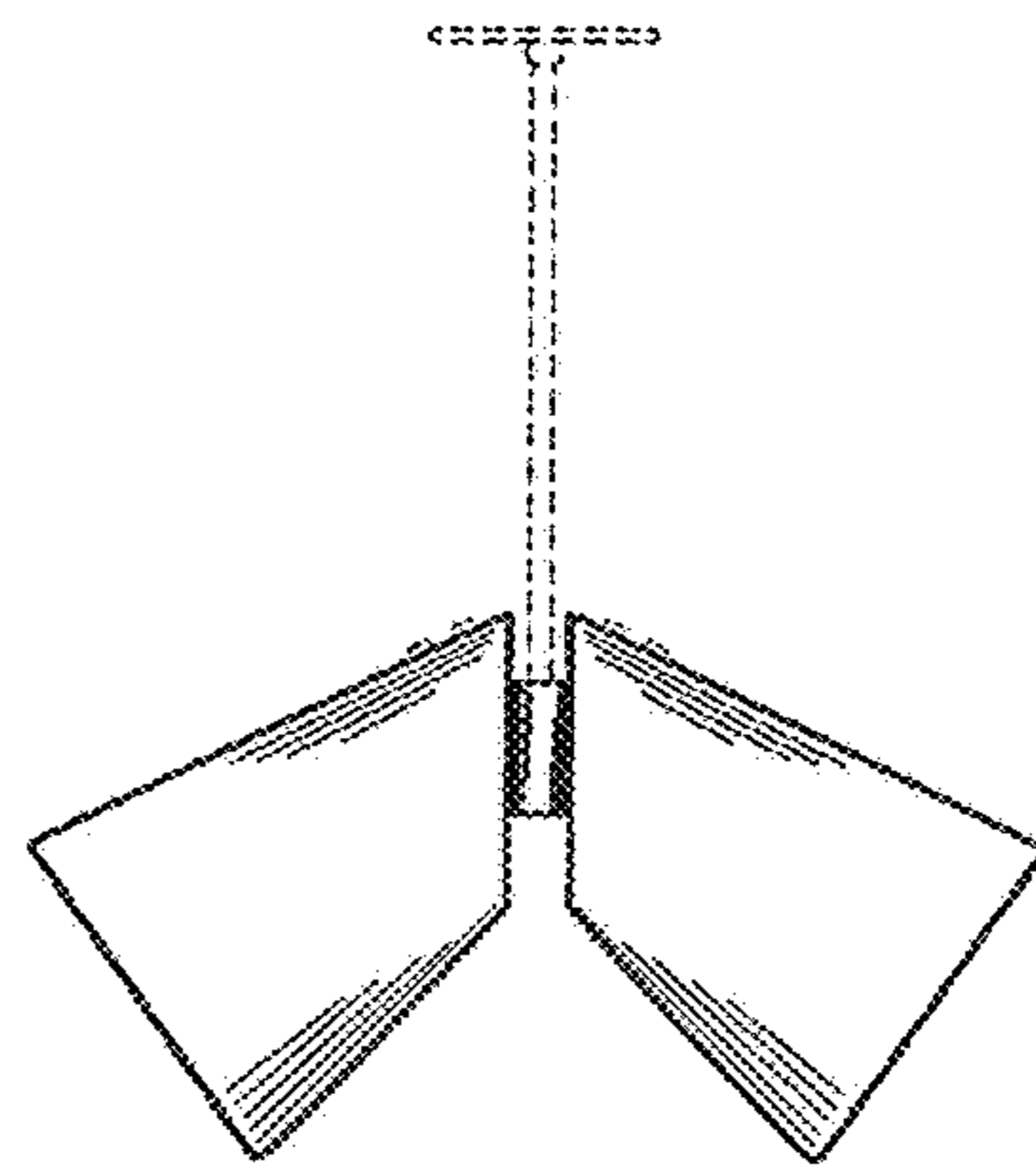


FIG. 4

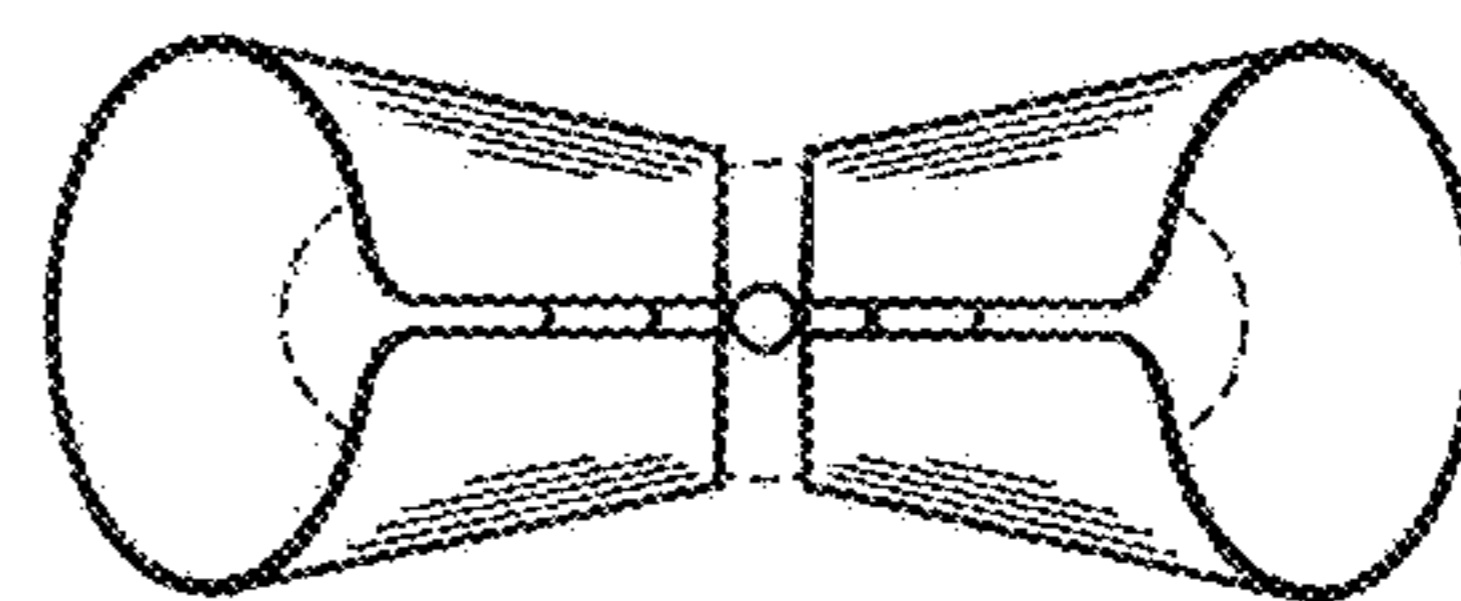


FIG. 5