



US00D852400S

(12) **United States Design Patent**
Wang

(10) **Patent No.:** **US D852,400 S**

(45) **Date of Patent:** **** Jun. 25, 2019**

(54) **SEARCHLIGHT**

(71) Applicant: **Jyun-Teng Wang**, New Taipei (TW)

(72) Inventor: **Jyun-Teng Wang**, New Taipei (TW)

(**) Term: **15 Years**

(21) Appl. No.: **29/619,291**

(22) Filed: **Sep. 28, 2017**

(51) **LOC (11) Cl.** **26-03**

(52) **U.S. Cl.**
USPC **D26/63**

(58) **Field of Classification Search**
USPC D26/1, 24, 61, 63, 65, 85, 92
CPC F21V 21/14; F21V 21/00; F21V 14/00;
F21V 15/01; F21V 14/02; F21V 21/30;
F21S 8/00; F21S 8/003; F21S 8/043;
F21Y 2105/001
See application file for complete search history.

(56) **References Cited**

U.S. PATENT DOCUMENTS

D573,286 S * 7/2008 Zetl D26/63
D646,822 S * 10/2011 Johannessen D26/63

D734,887 S * 7/2015 Gebhard D26/63
D752,267 S * 3/2016 Wang D26/63
D768,899 S * 10/2016 Gebhard D26/63
D773,092 S * 11/2016 Koshiba D26/63
D774,675 S * 12/2016 Hong D26/63
D784,586 S * 4/2017 Gebhard D26/63

* cited by examiner

Primary Examiner — Brian N. Vinson

(74) *Attorney, Agent, or Firm* — Rosenberg, Klein & Lee

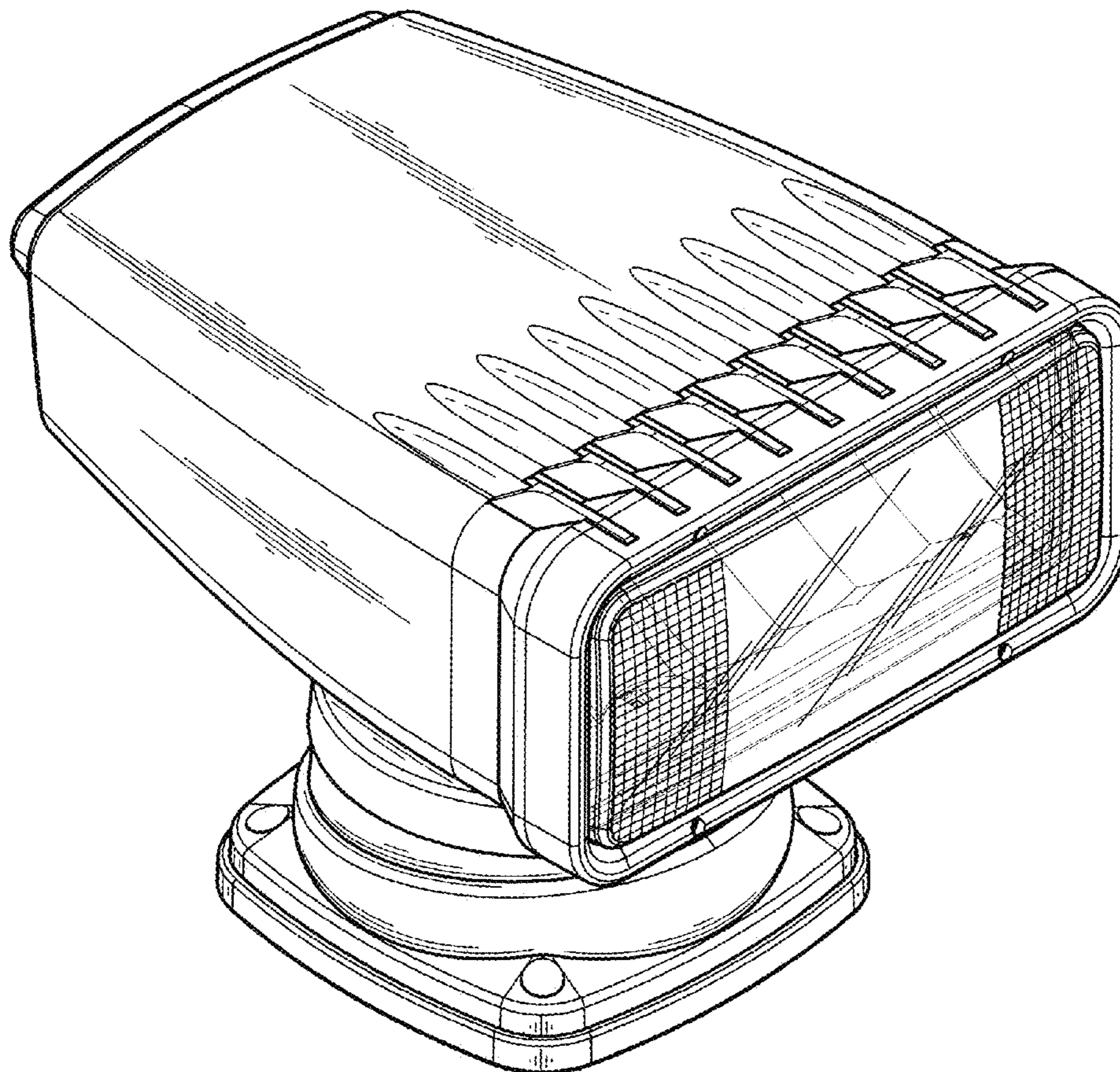
(57) **CLAIM**

The ornamental design for searchlight, shown and described.

DESCRIPTION

FIG. 1 is a front side perspective view showing our new design for searchlight;
FIG. 2 is a front elevational view thereof;
FIG. 3 is a rear elevational view thereof;
FIG. 4 is a left side elevational view thereof;
FIG. 5 is a right side elevational view thereof;
FIG. 6 is a top view thereof; and,
FIG. 7 is a bottom view thereof.

1 Claim, 7 Drawing Sheets



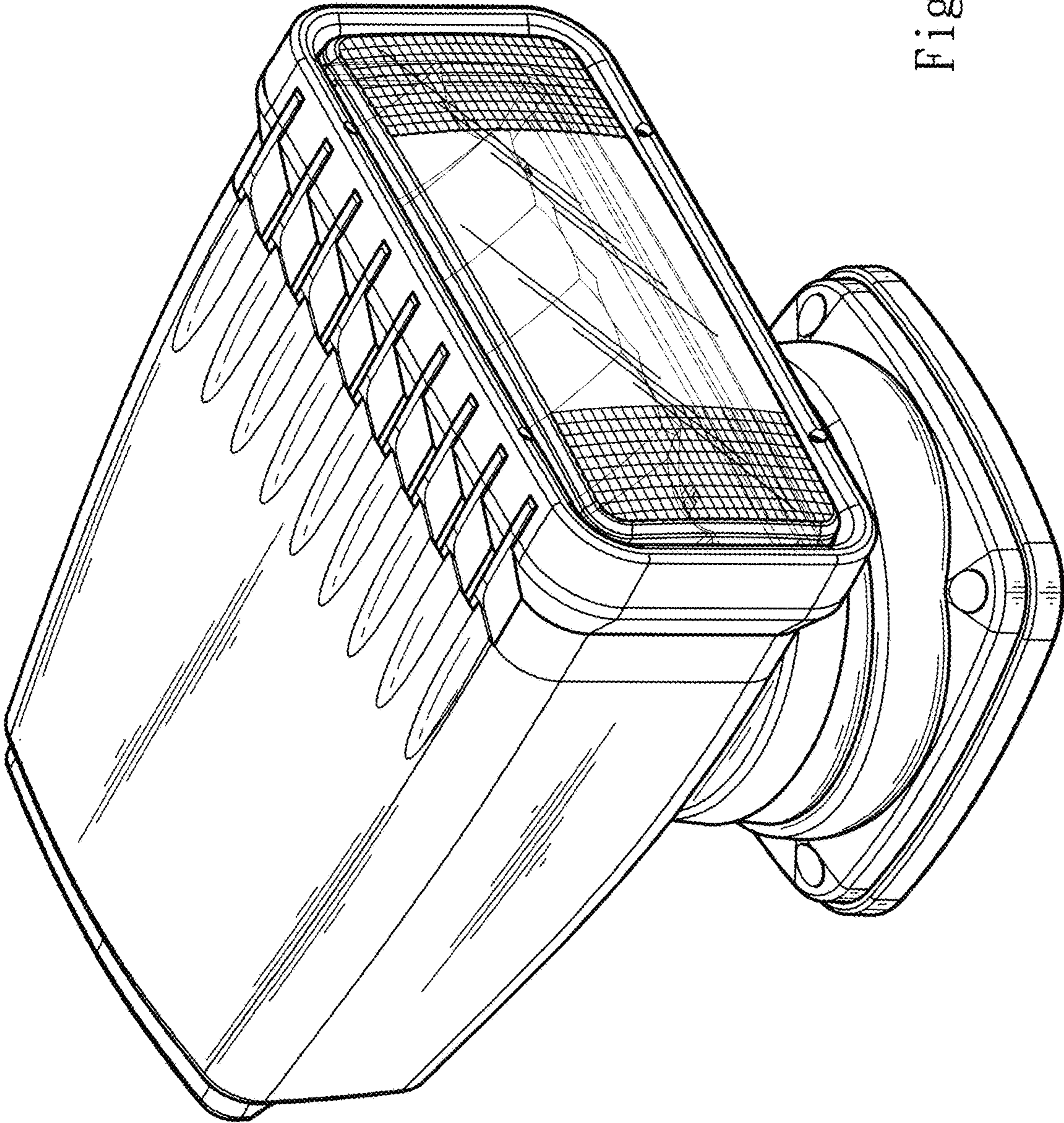


Fig. 1

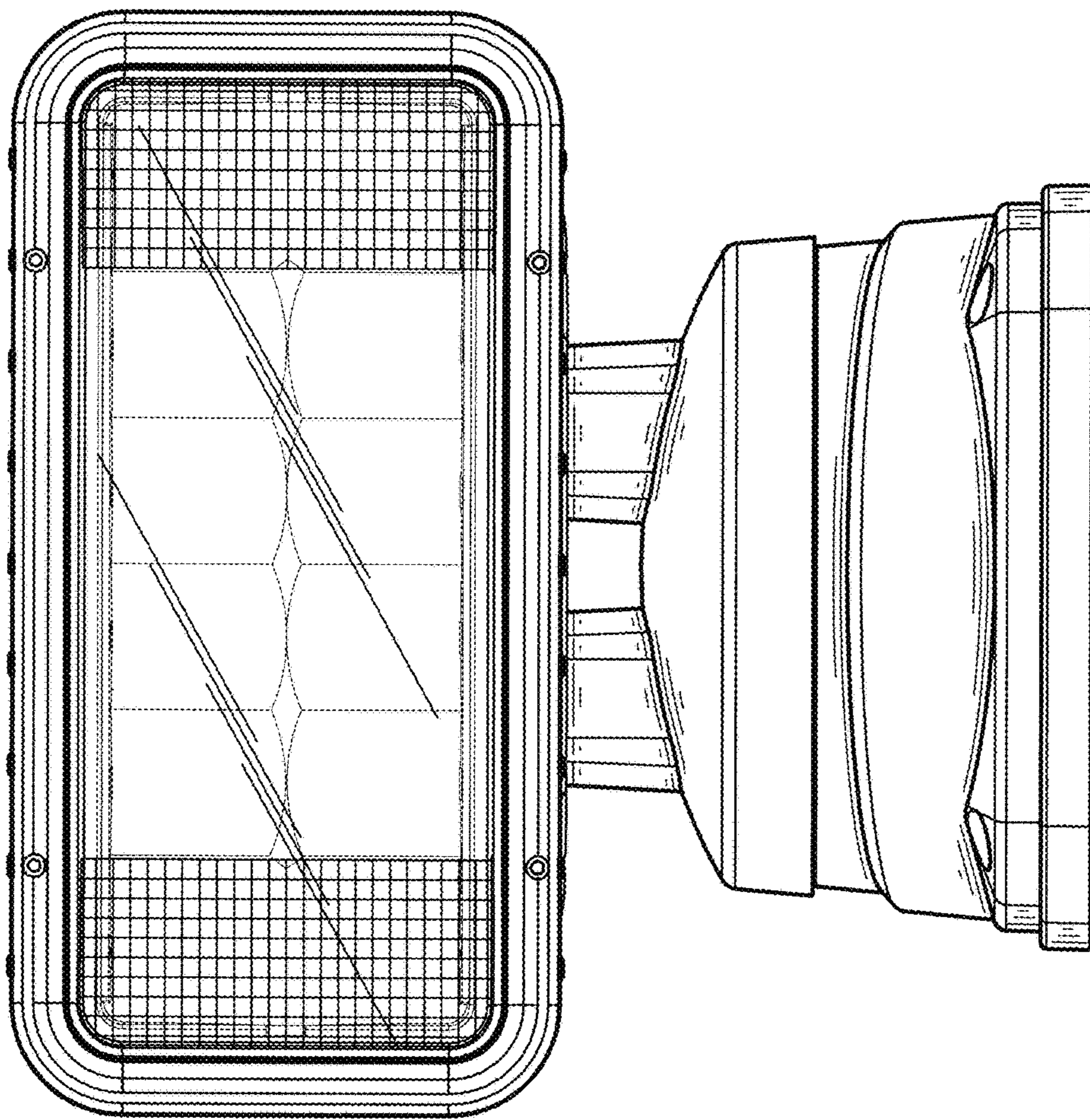


Fig. 2

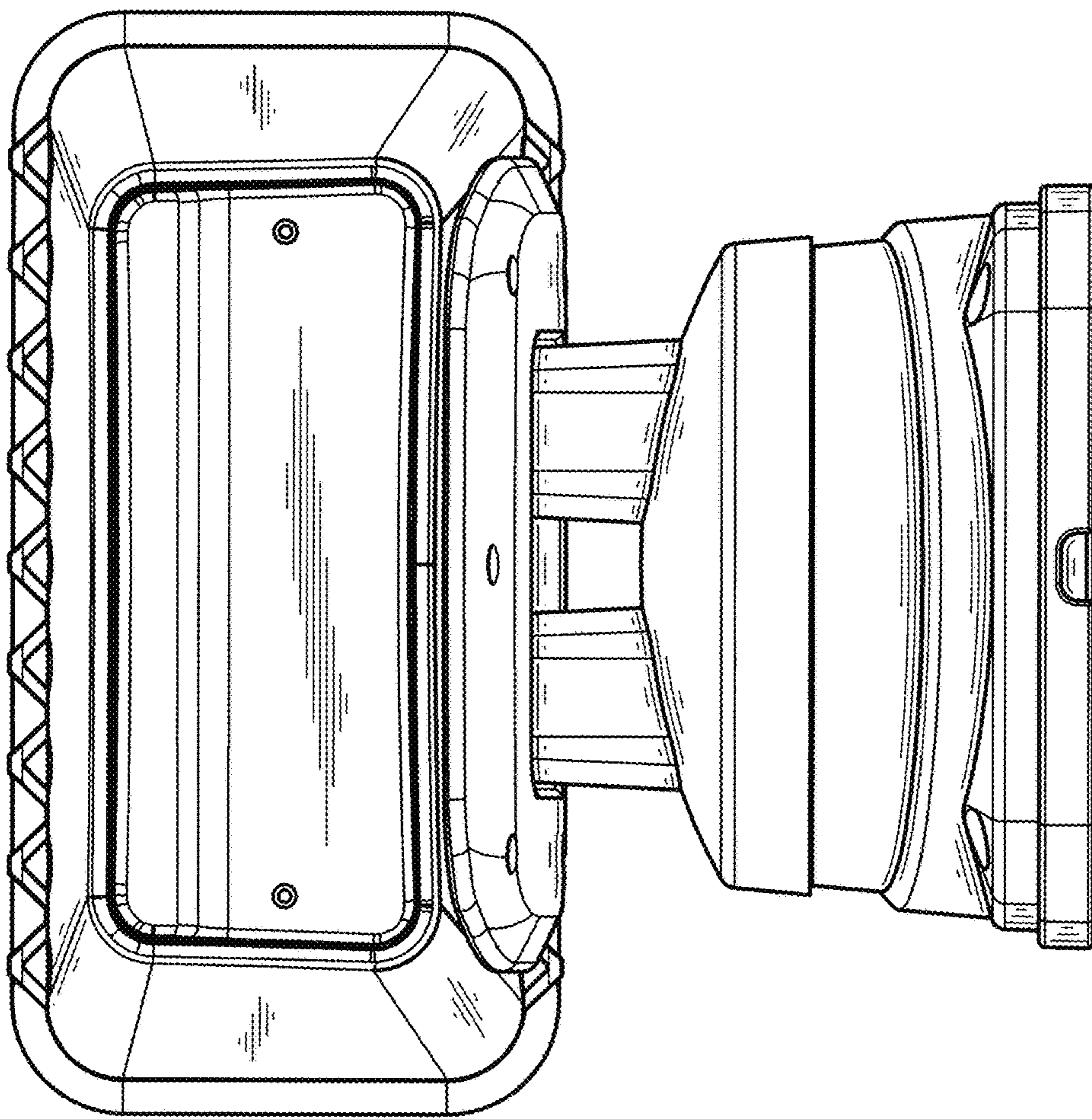


Fig. 3

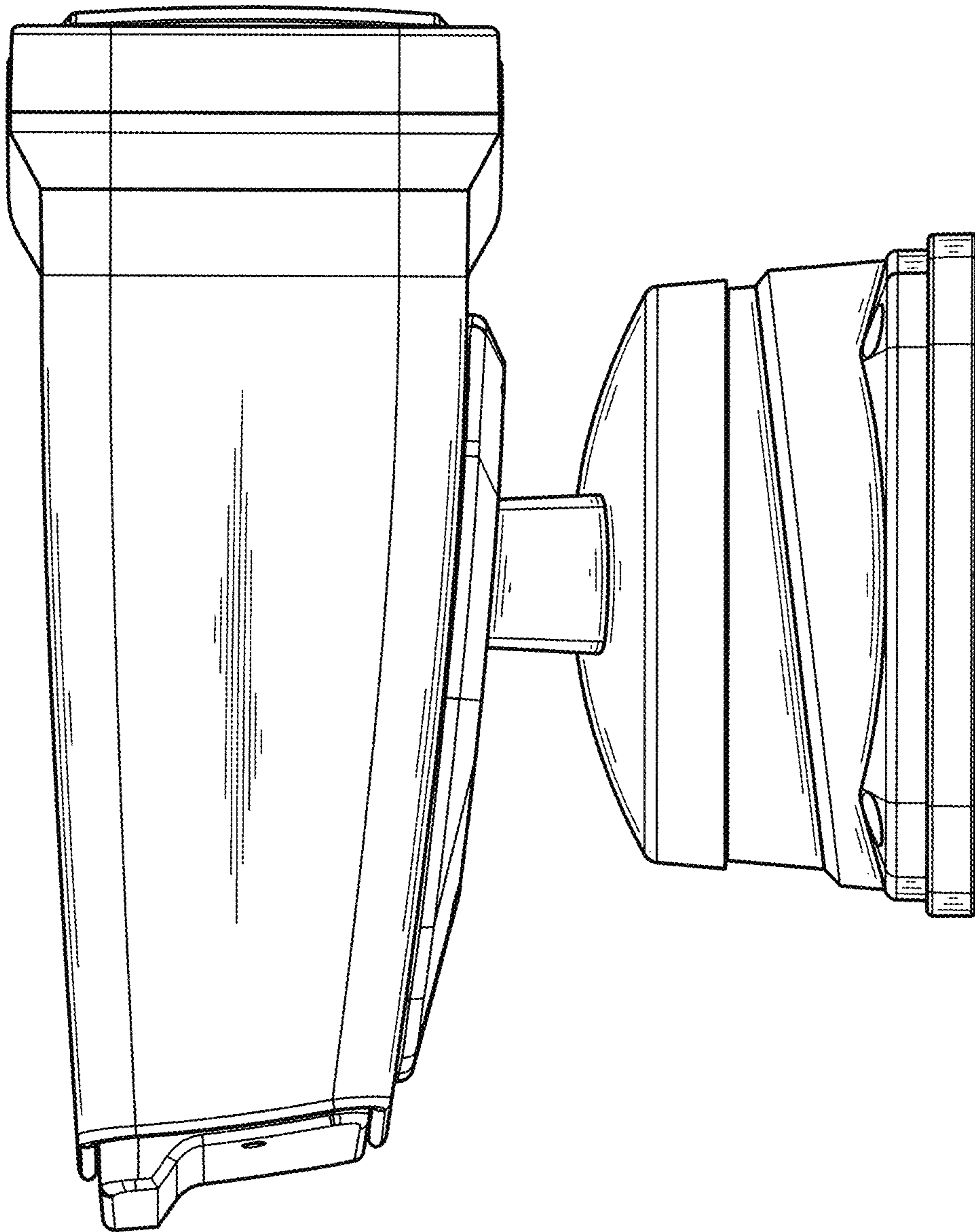


Fig. 4

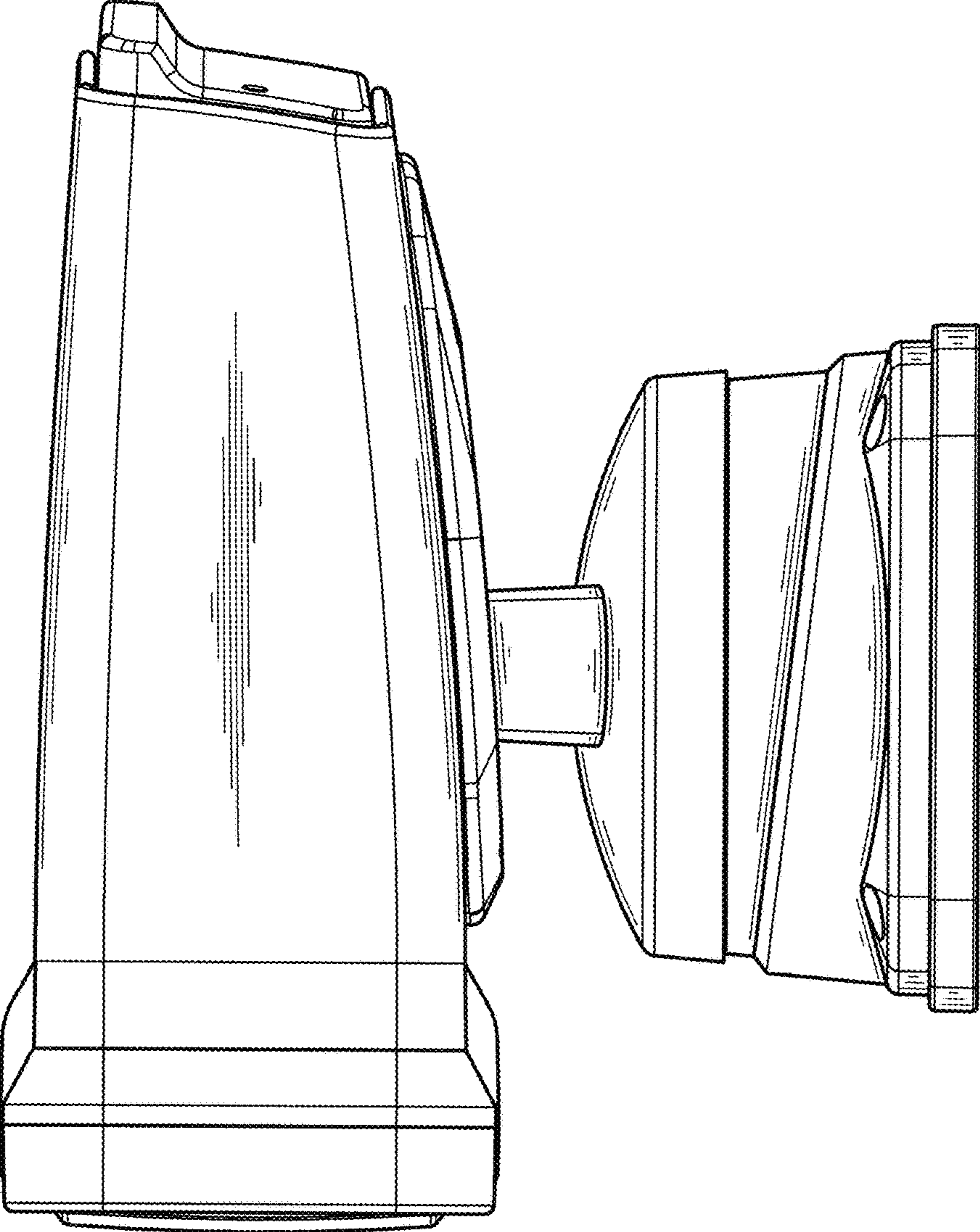


Fig. 5

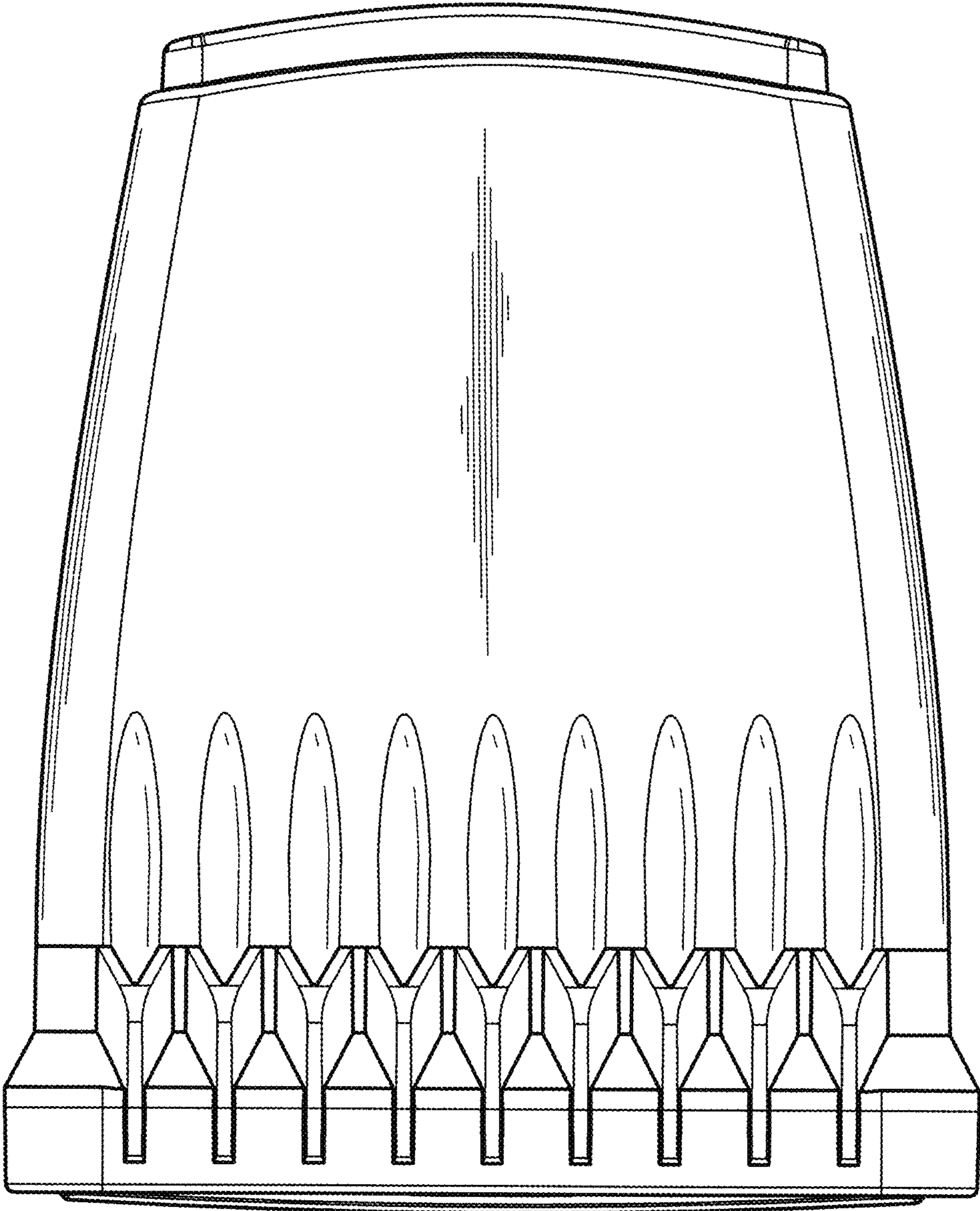


Fig. 6

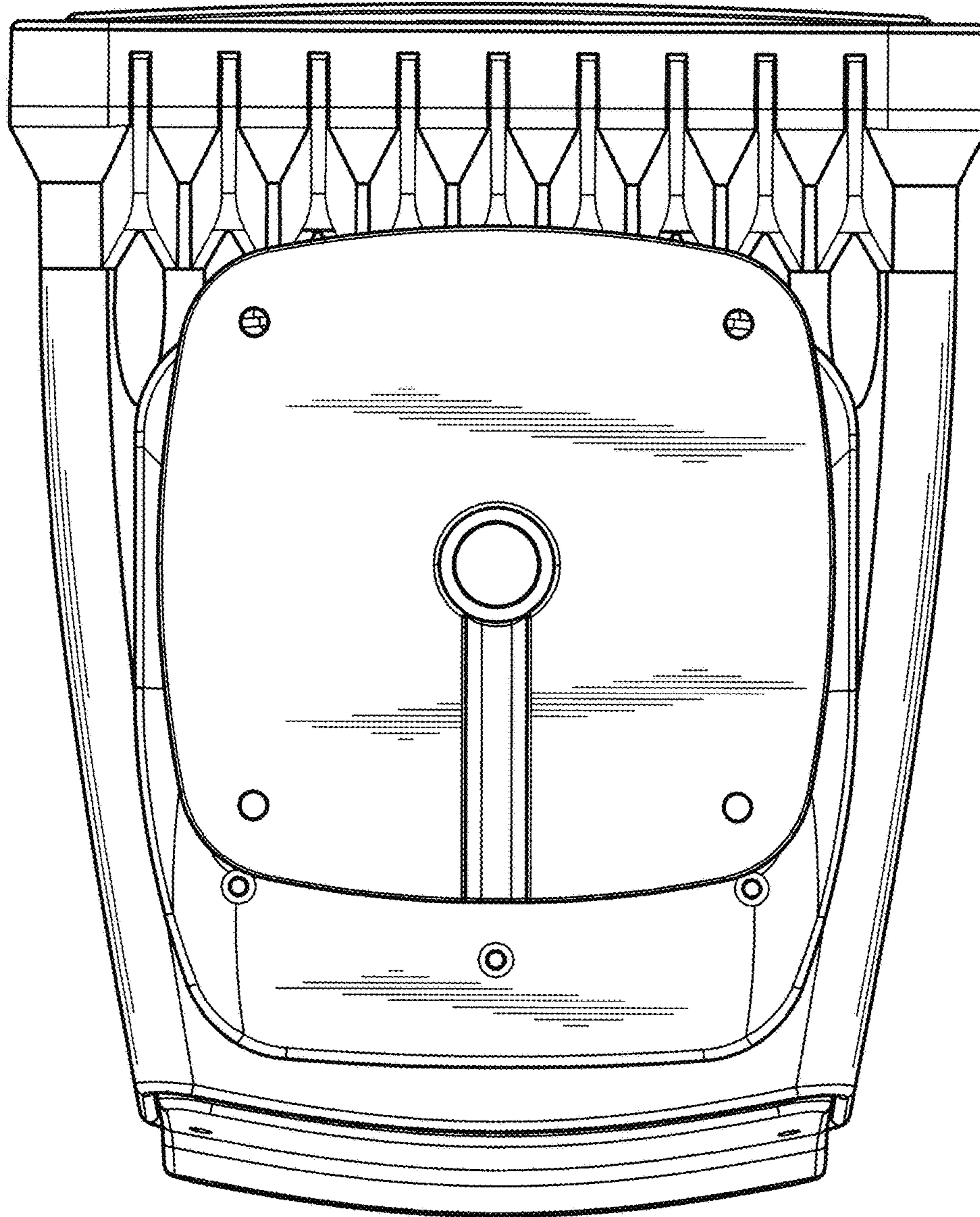


Fig. 7