



US00D852398S

(12) **United States Design Patent**
Liu

(10) **Patent No.:** **US D852,398 S**
(45) **Date of Patent:** **** Jun. 25, 2019**

(54) **SOLAR LAMP**

DESCRIPTION

- (71) Applicant: **Shenzhen Ennoplus Technology Co., Ltd.**, Shenzhen, Guangdong (CN)
- (72) Inventor: **Hangyu Liu**, Guangdong (CN)
- (73) Assignee: **Shenzhen Ennoplus Technology Co., Ltd.**, Shenzhen (CN)
- (**) Term: **15 Years**
- (21) Appl. No.: **29/612,072**
- (22) Filed: **Jul. 28, 2017**
- (30) **Foreign Application Priority Data**
Jun. 29, 2017 (CN) 2017 3 0279876
- (51) **LOC (11) Cl.** **26-03**
- (52) **U.S. Cl.**
USPC **D26/63**
- (58) **Field of Classification Search**
USPC D26/63, 65, 67, 68, 69, 70, 71, 72, 85, D26/87, 92
CPC F21S 8/03; F21S 8/033; F21S 8/036; F21S 8/037; F21S 9/022; F21S 9/024; F21S 9/03; F21S 9/035; F21S 9/037; F21W 2131/107
See application file for complete search history.

(56) **References Cited**

U.S. PATENT DOCUMENTS

- 5,211,470 A * 5/1993 Frost F21V 5/00 362/183
- D574,988 S * 8/2008 Cheng D26/63
- D735,384 S * 7/2015 Ehsani D26/63
- D735,386 S * 7/2015 Lin D26/63
- D764,694 S * 8/2016 Tsai D26/63

(Continued)

Primary Examiner — Brian N. Vinson

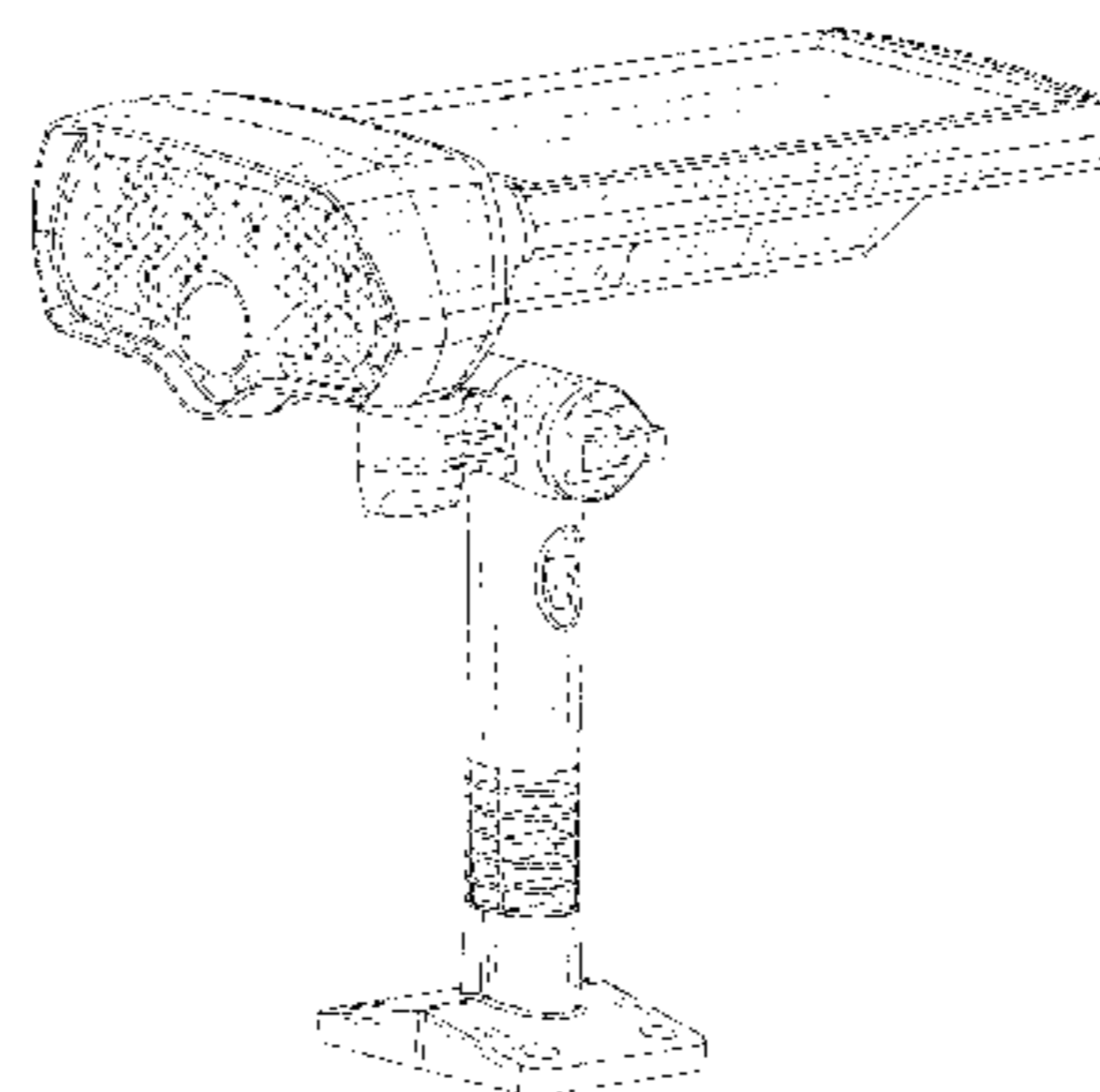
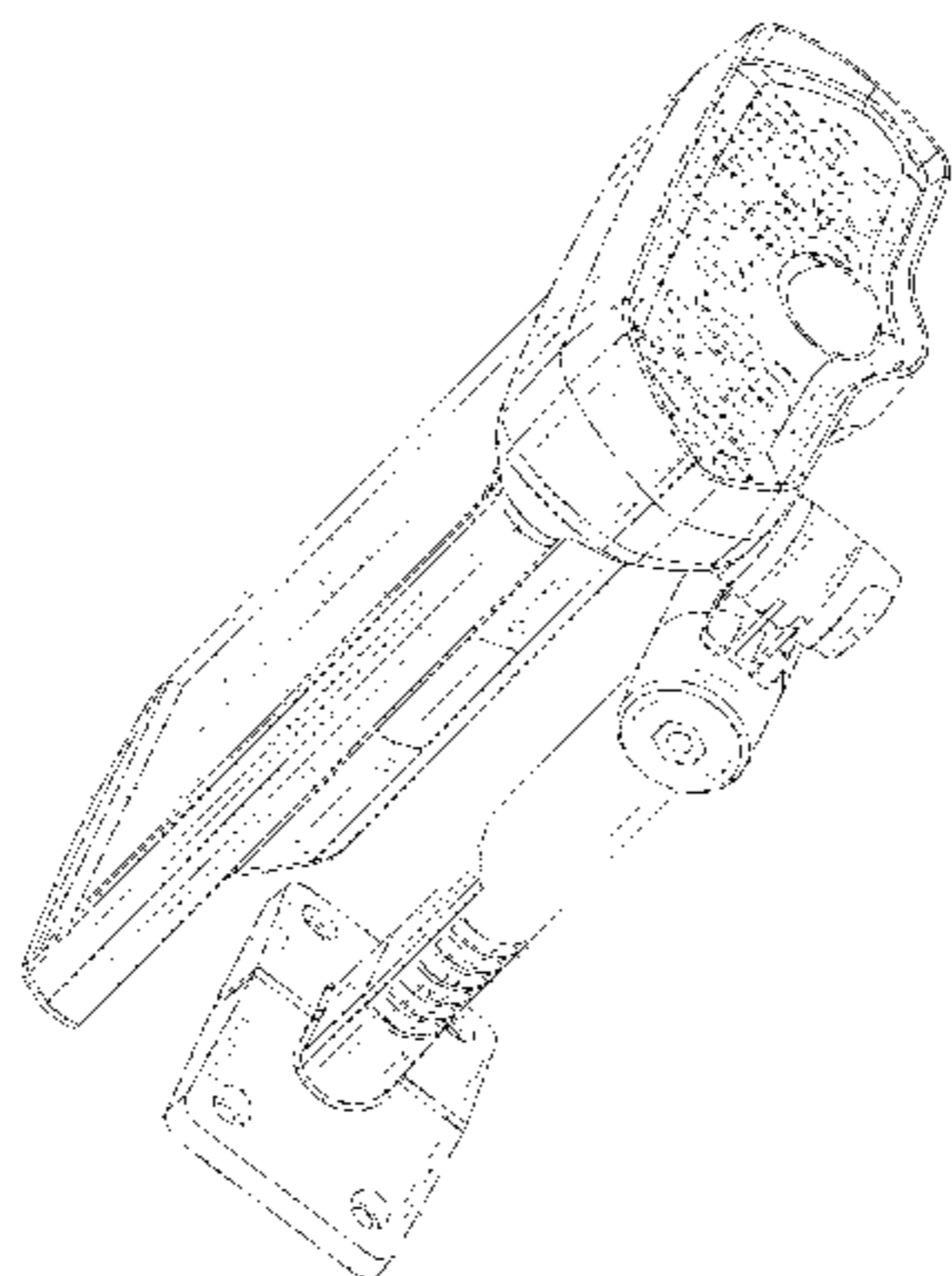
(57) **CLAIM**

The ornamental design for a solar lamp, as shown and described.

FIG. 1 is a front elevational view of a first embodiment of a solar lamp showing my new design;
 FIG. 2 is a rear elevational view of FIG. 1;
 FIG. 3 is a left side view of FIG. 1;
 FIG. 4 is a right side view of FIG. 1;
 FIG. 5 is a top plan view of FIG. 1;
 FIG. 6 is a bottom plan view of FIG. 1;
 FIG. 7 is a first perspective view of FIG. 1;
 FIG. 8 is a second perspective view of FIG. 1;
 FIG. 9 is a third perspective view of FIG. 1;
 FIG. 10 is a fourth perspective view of FIG. 1;
 FIG. 11 is a fifth perspective view of FIG. 1;
 FIG. 12 is a sixth perspective view showing the first embodiment of the solar lamp in a use state;
 FIG. 13 is a seventh perspective view showing the first embodiment of the solar lamp in a use state;
 FIG. 14 is a front elevational view of a second embodiment of the solar lamp;
 FIG. 15 is a rear elevational view of FIG. 14;
 FIG. 16 is a left side view of FIG. 14;
 FIG. 17 is a right side view of FIG. 14;
 FIG. 18 is a top plan view of FIG. 14;
 FIG. 19 is a bottom plan view of FIG. 14;
 FIG. 20 is a first perspective view of FIG. 14;
 FIG. 21 is a second perspective view of FIG. 14;
 FIG. 22 is a third perspective view of FIG. 14;
 FIG. 23 is a fourth perspective view of FIG. 14;
 FIG. 24 is a fifth perspective view of FIG. 14;
 FIG. 25 is a sixth perspective view showing the second embodiment of the solar lamp in a use state; and,
 FIG. 26 is a seventh perspective view showing the second embodiment of the solar lamp in a use state.

The broken lines in the drawings illustrate portions of the solar lamp which form no part of the claimed design.
 The diagonal lines indicate transparency.

1 Claim, 26 Drawing Sheets



(56)

References Cited

U.S. PATENT DOCUMENTS

D797,342 S * 9/2017 Rousseau D26/63
D821,626 S * 6/2018 Hou D26/69

* cited by examiner

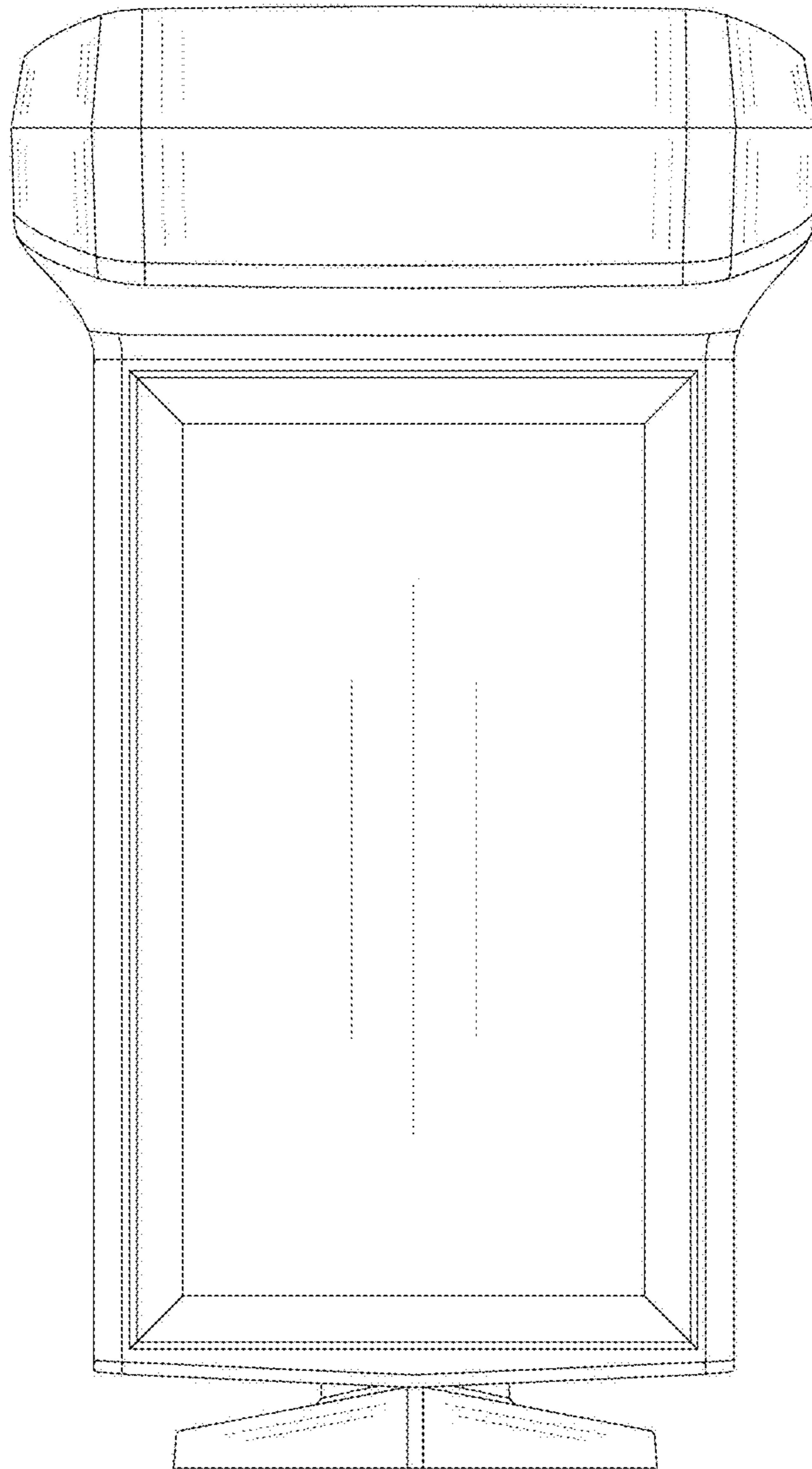


Fig. 1

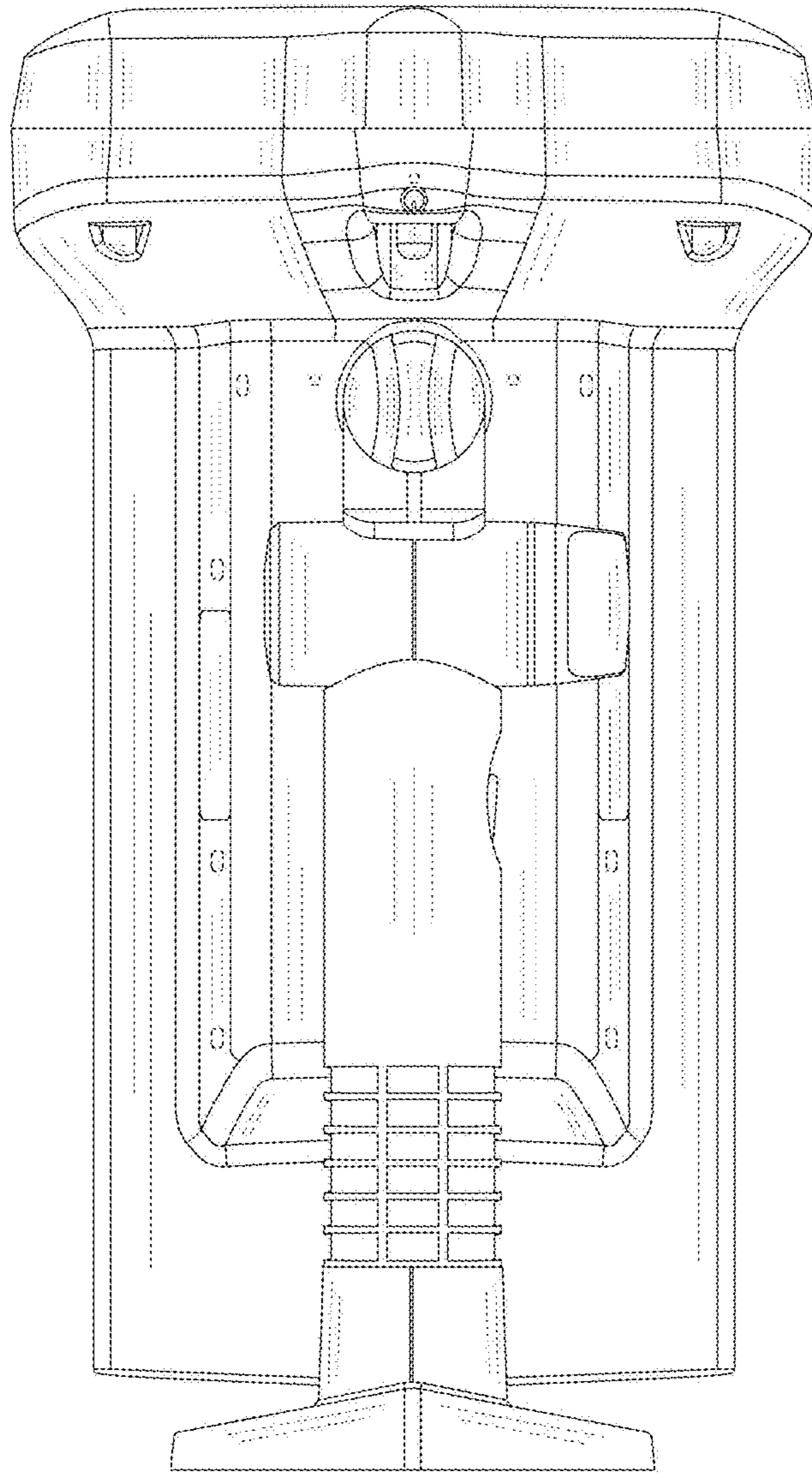


Fig. 2

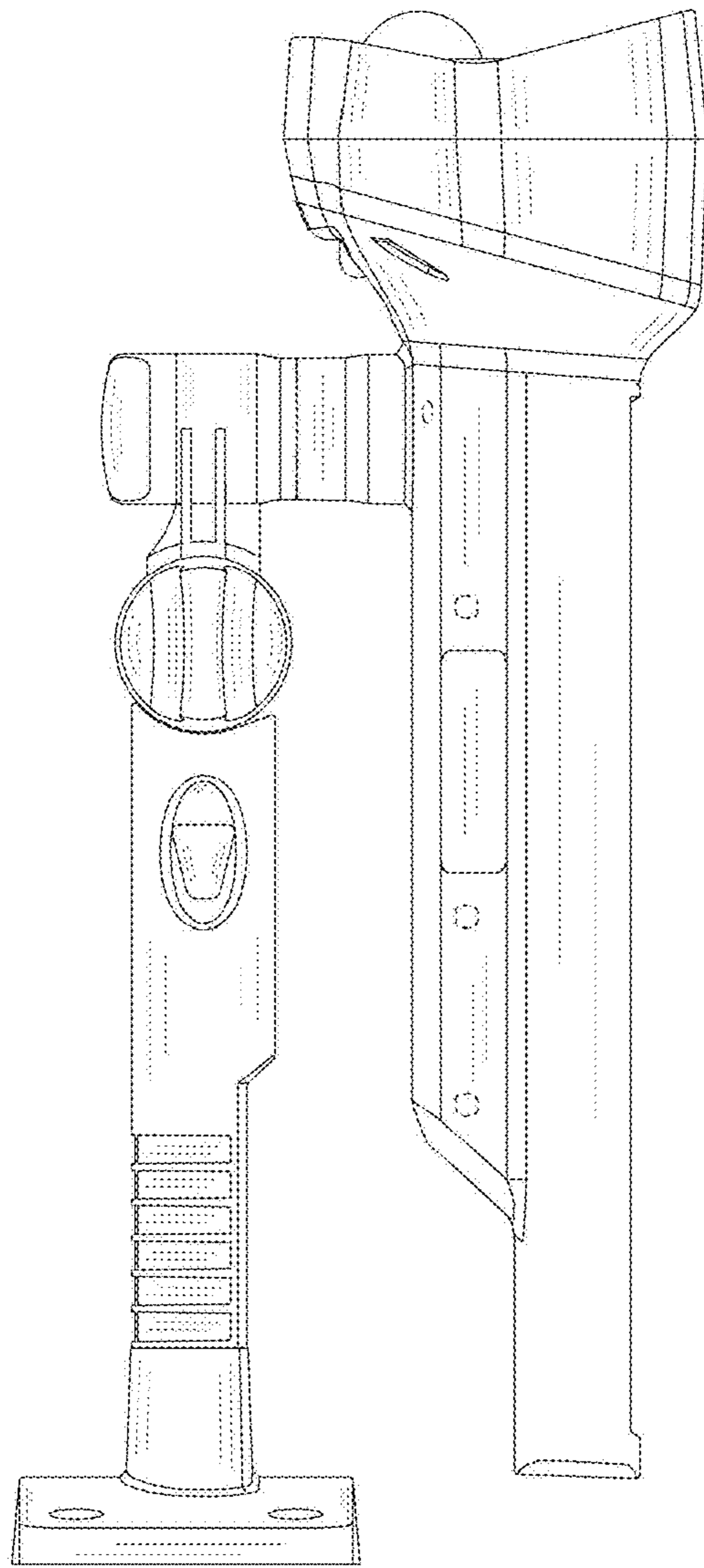


Fig. 3

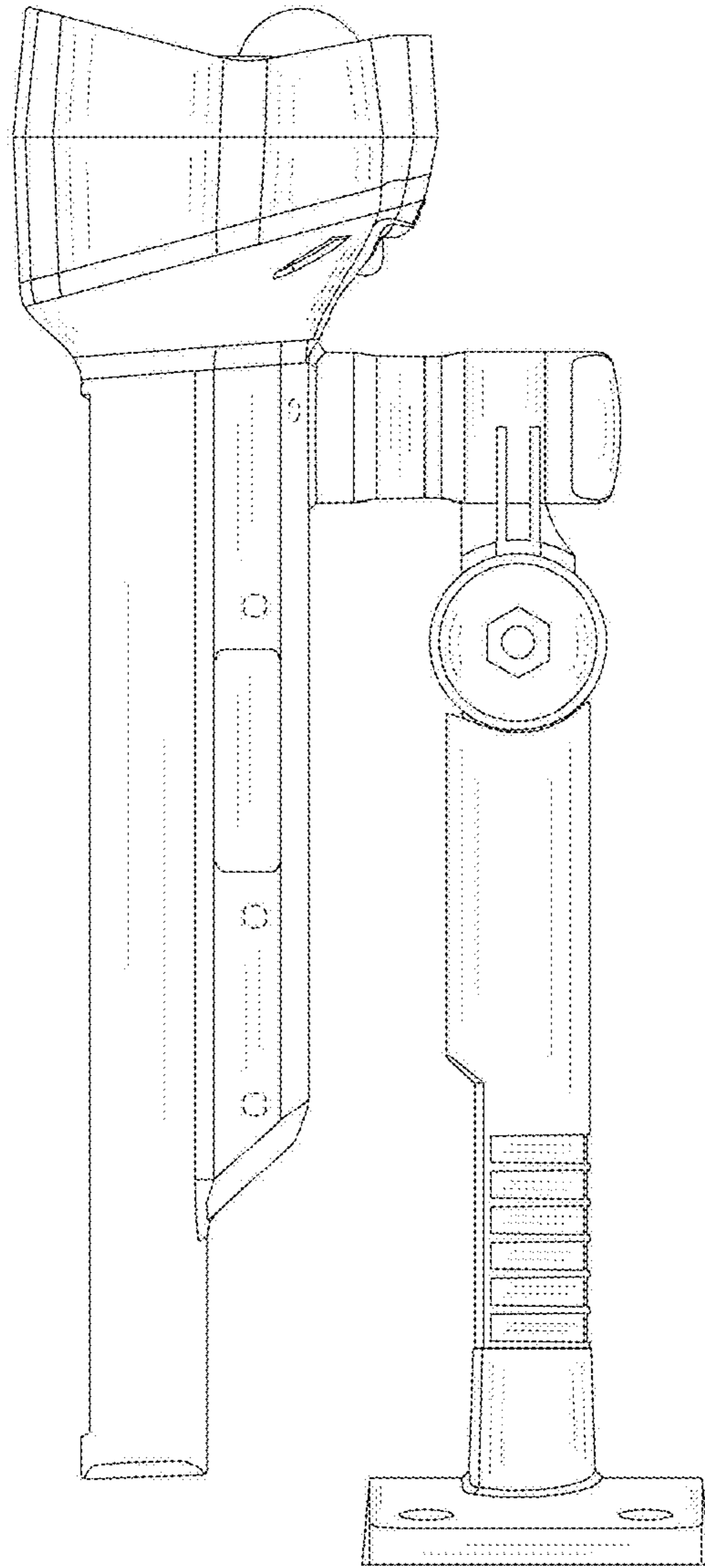


Fig. 4

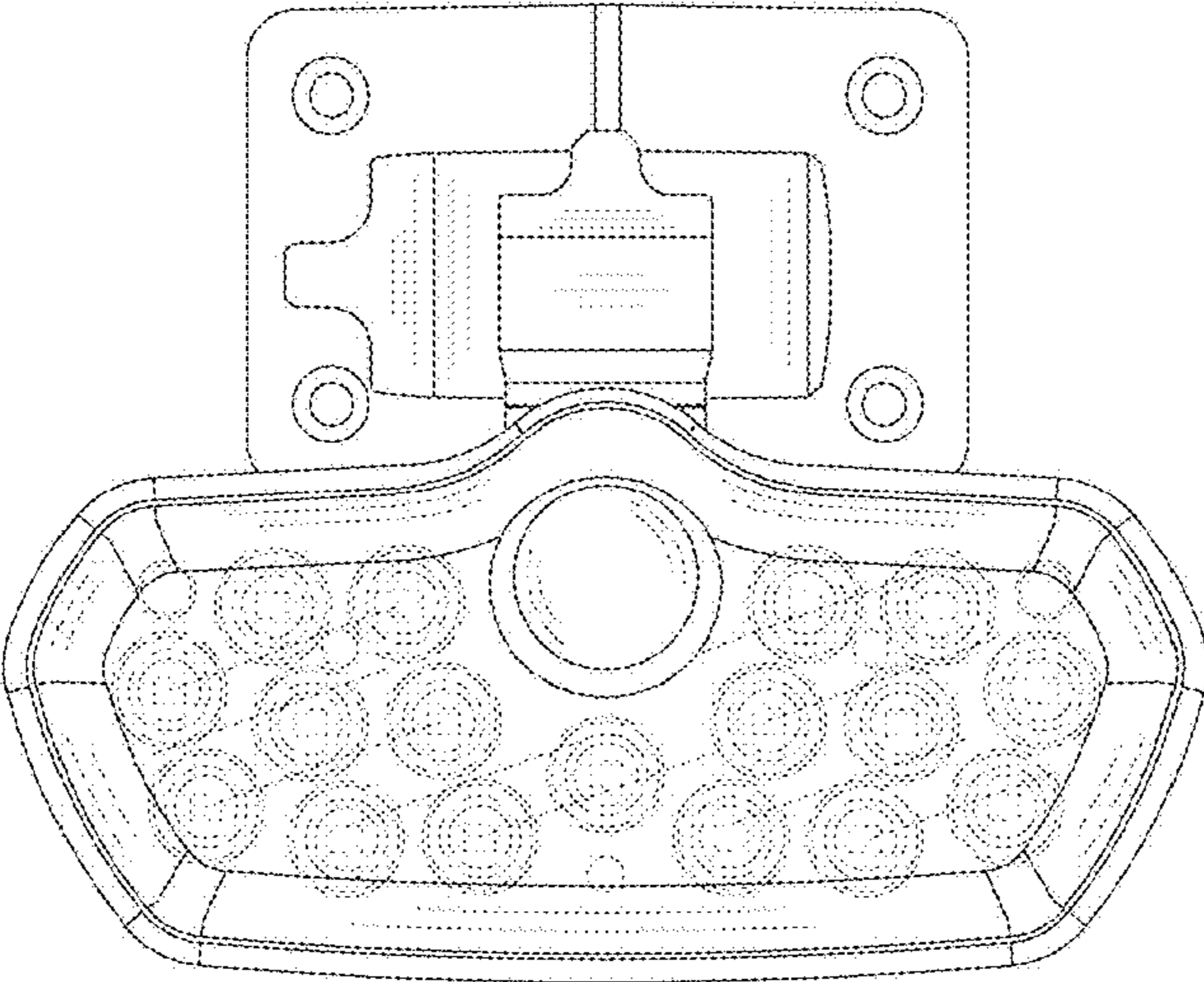


Fig. 5

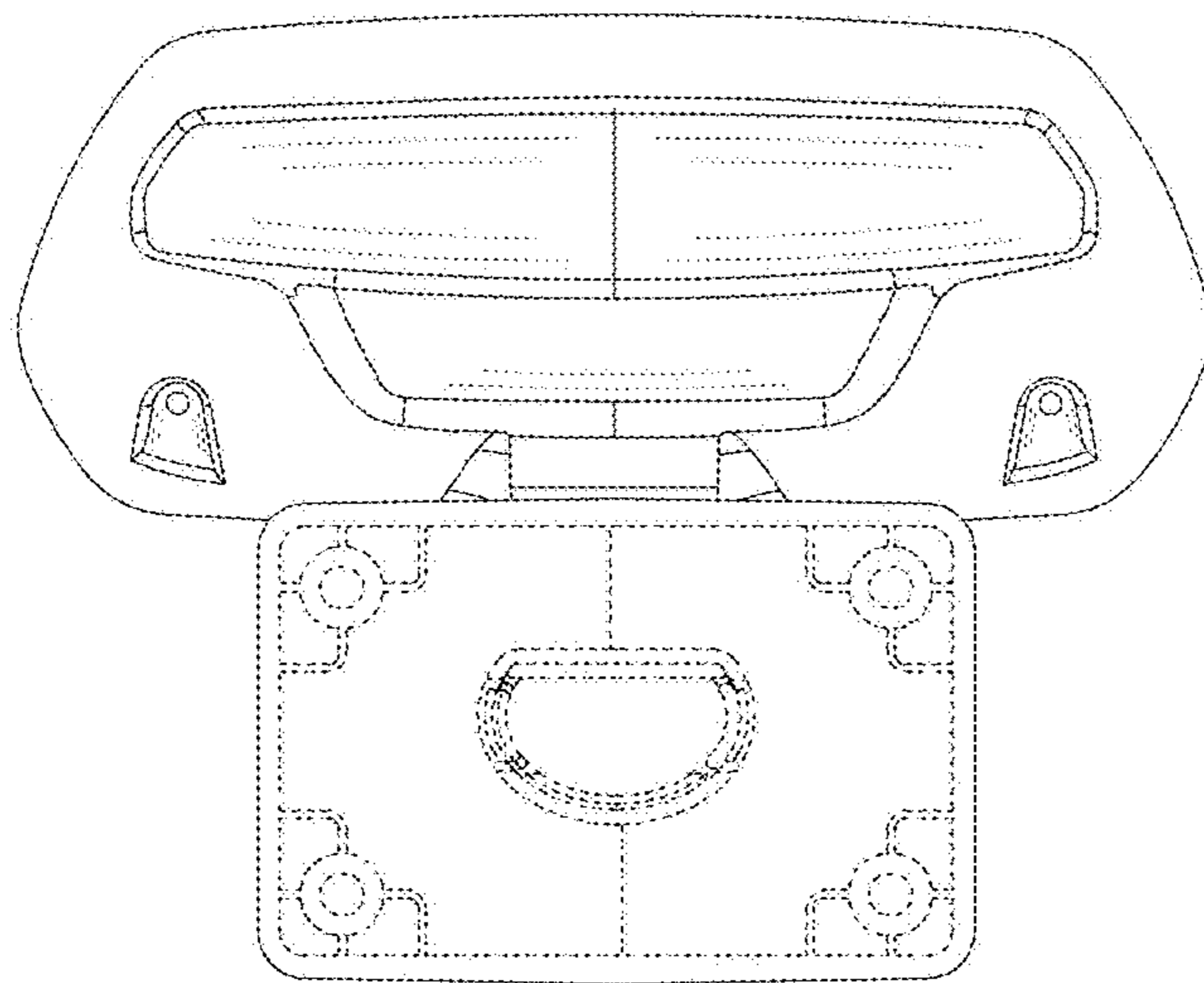


Fig. 6

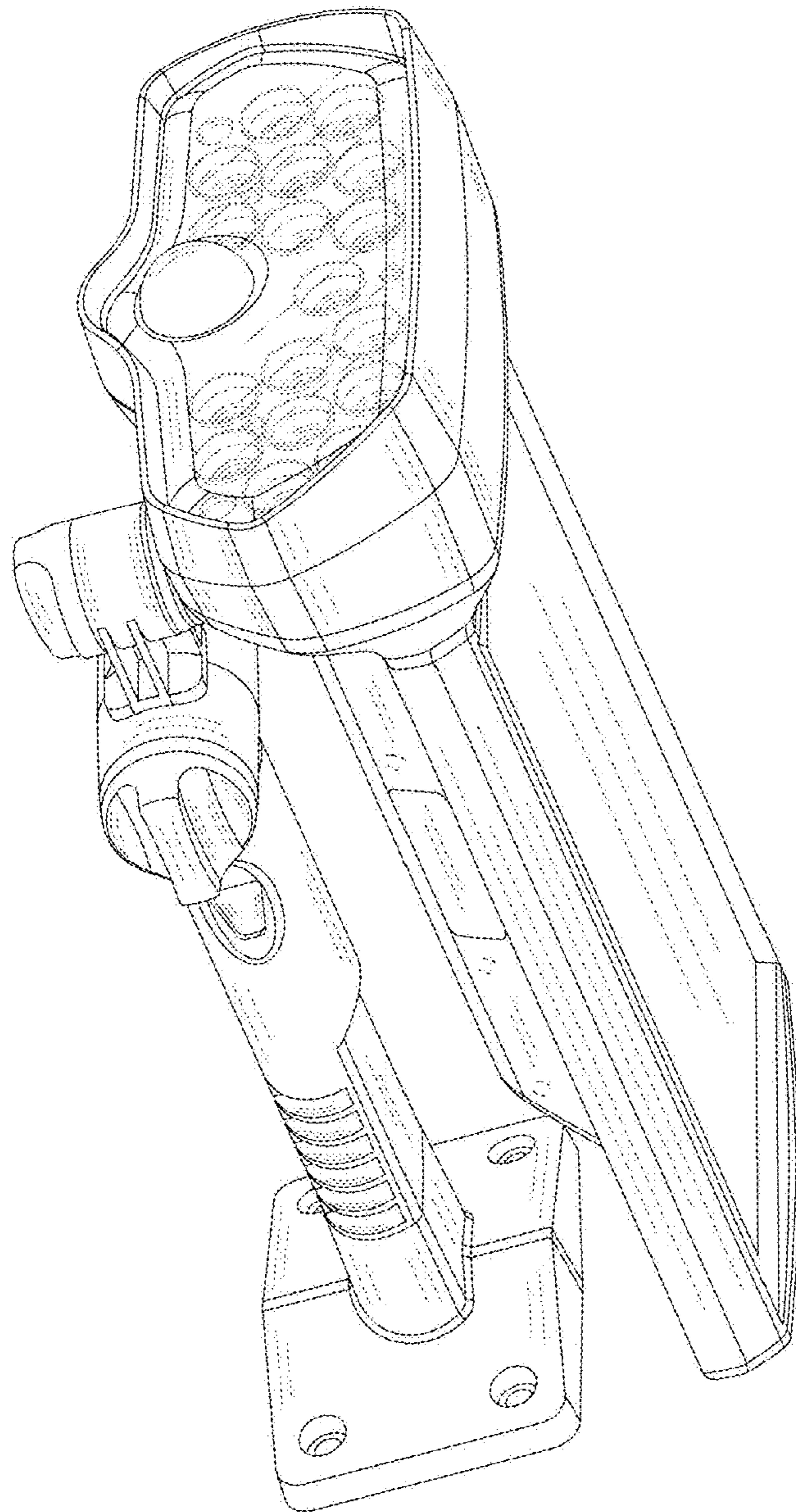


Fig. 7

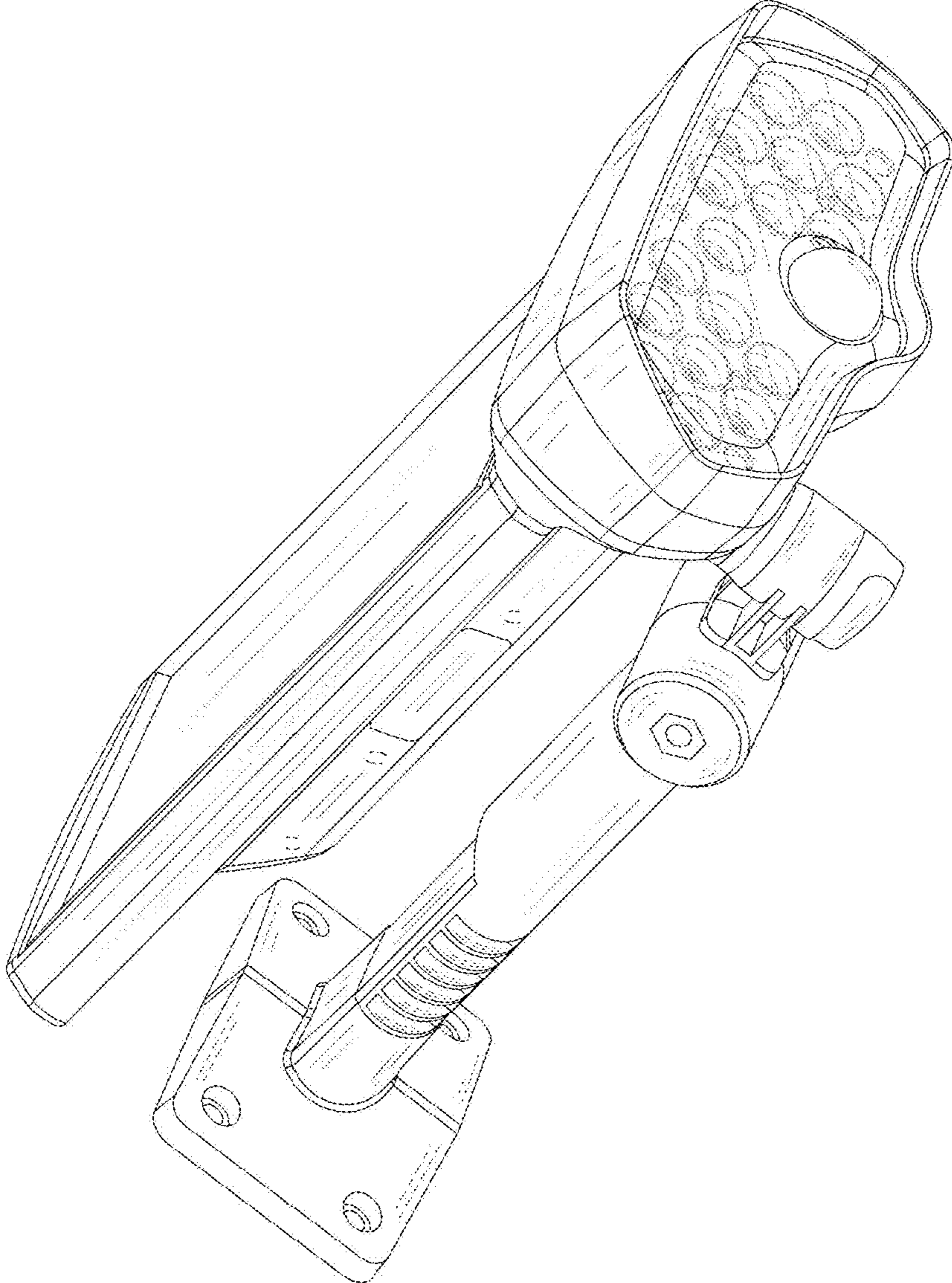


Fig. 8

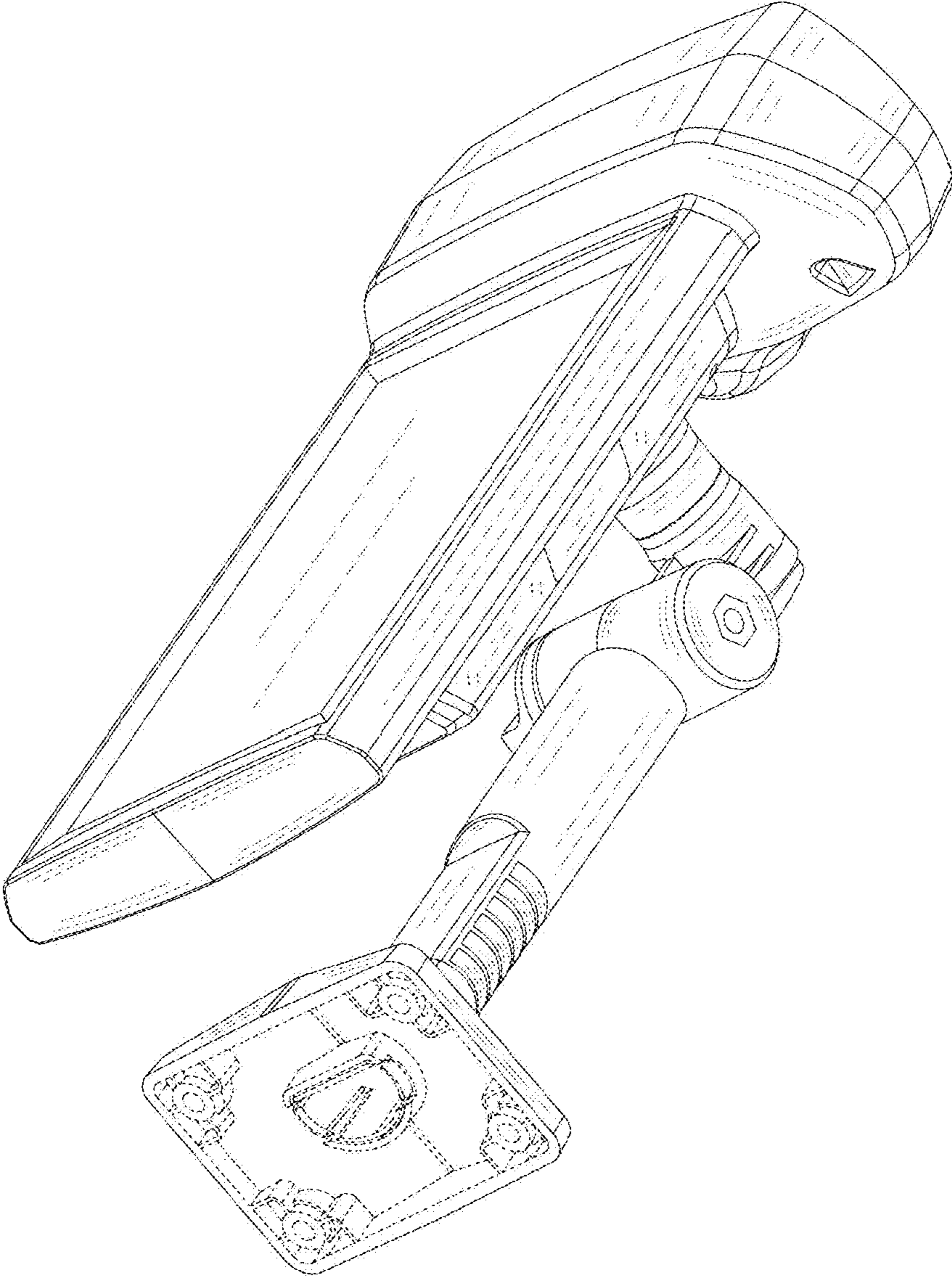


Fig. 9

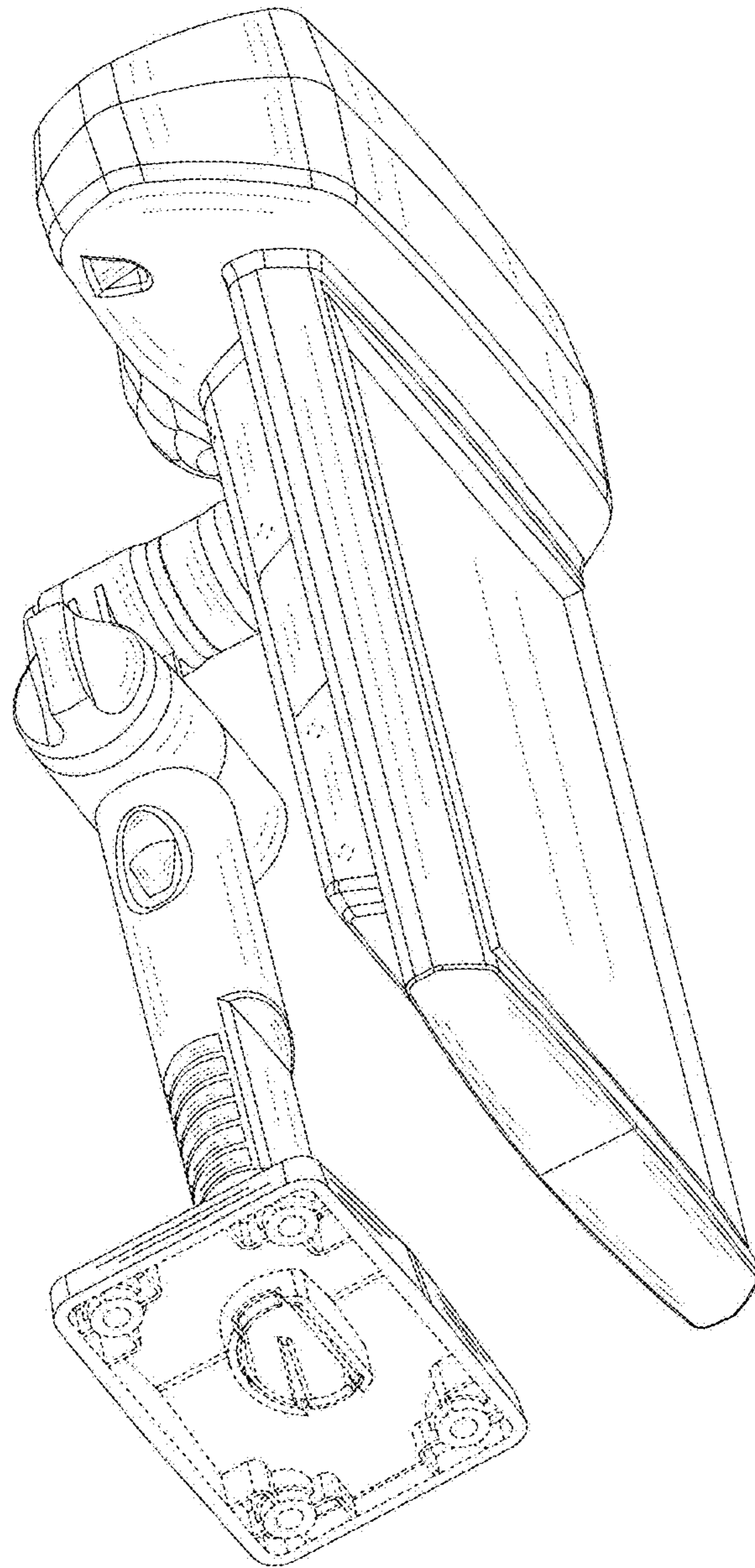


Fig. 10

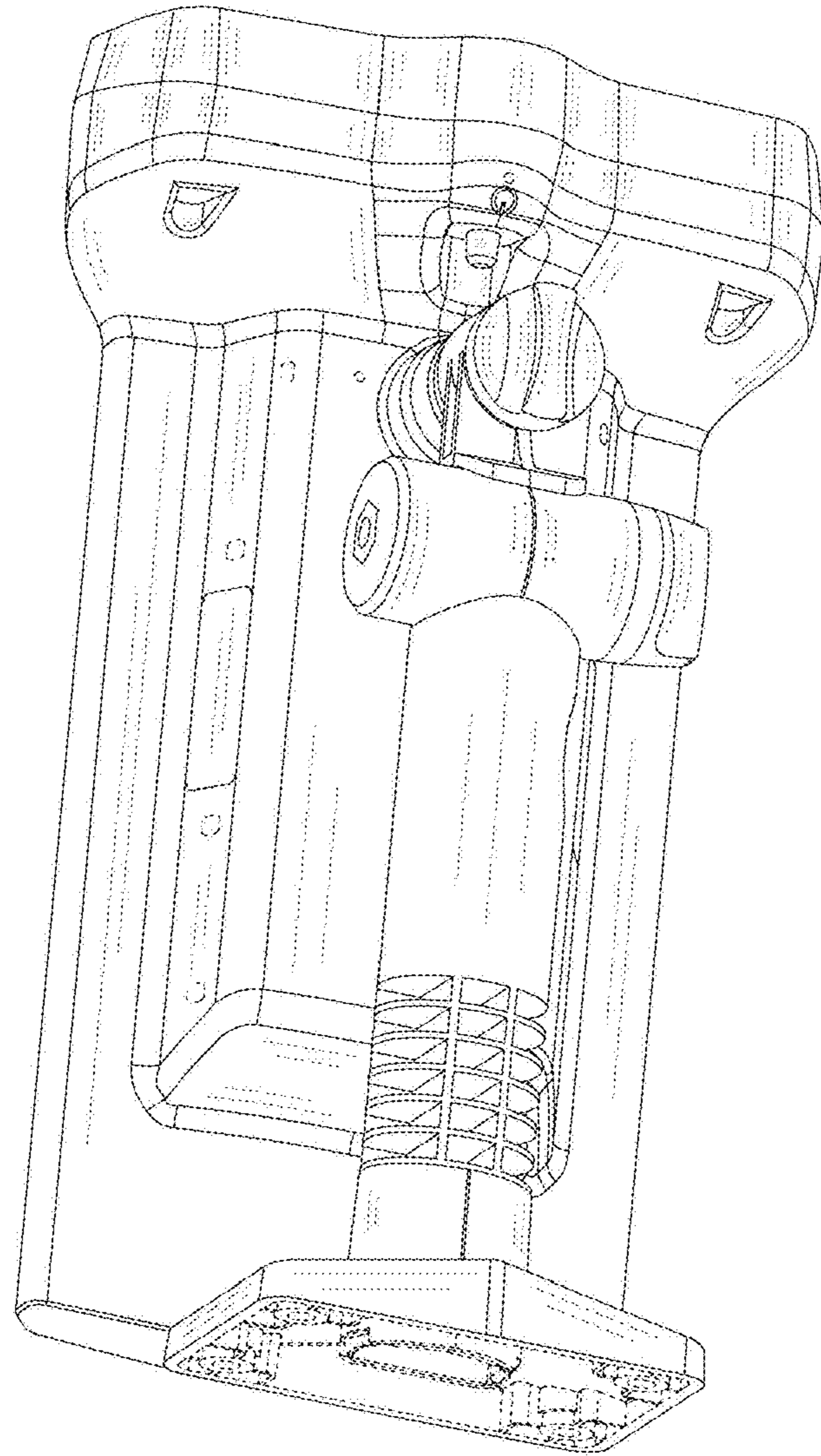


Fig. 11

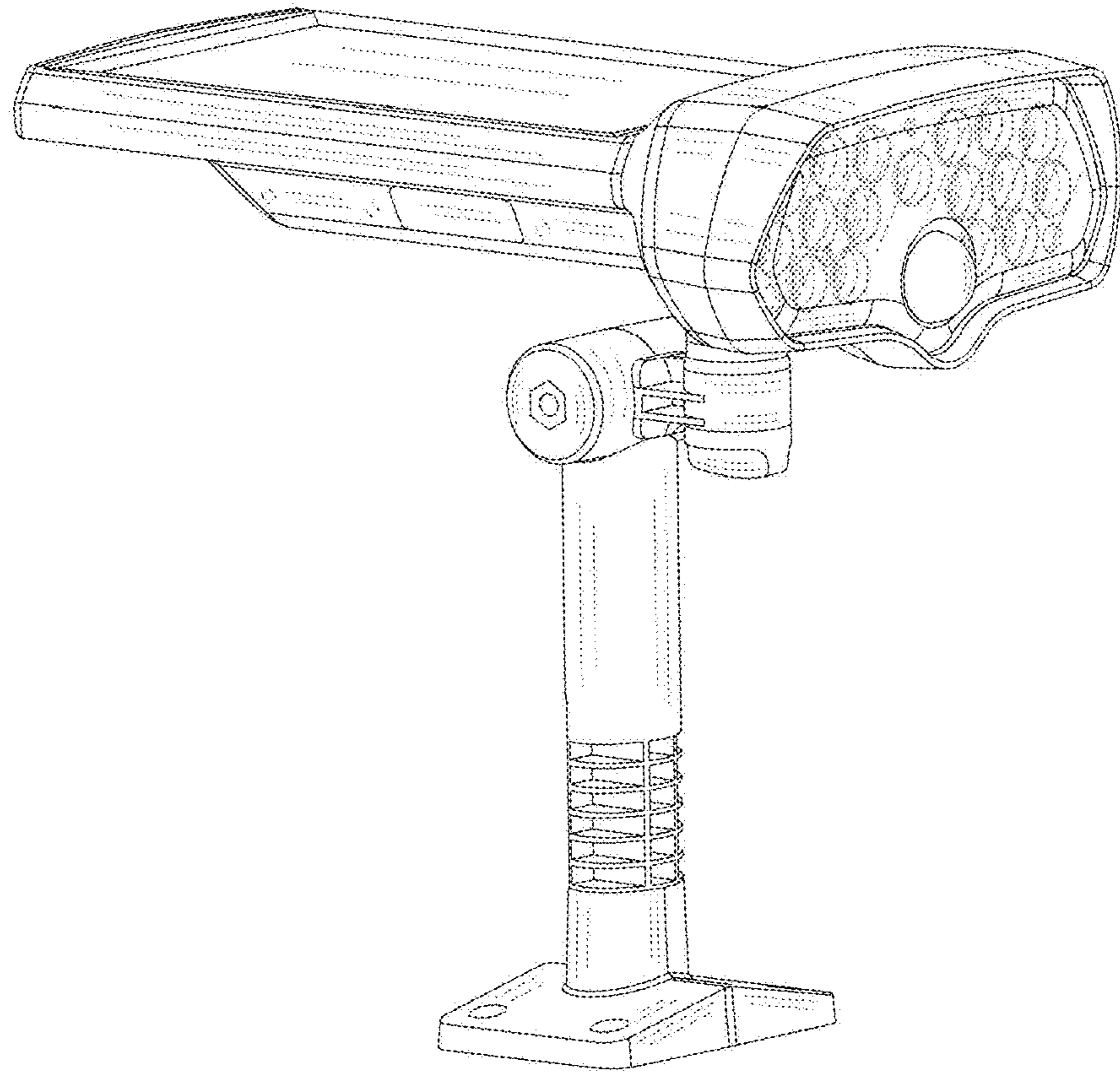


Fig. 12

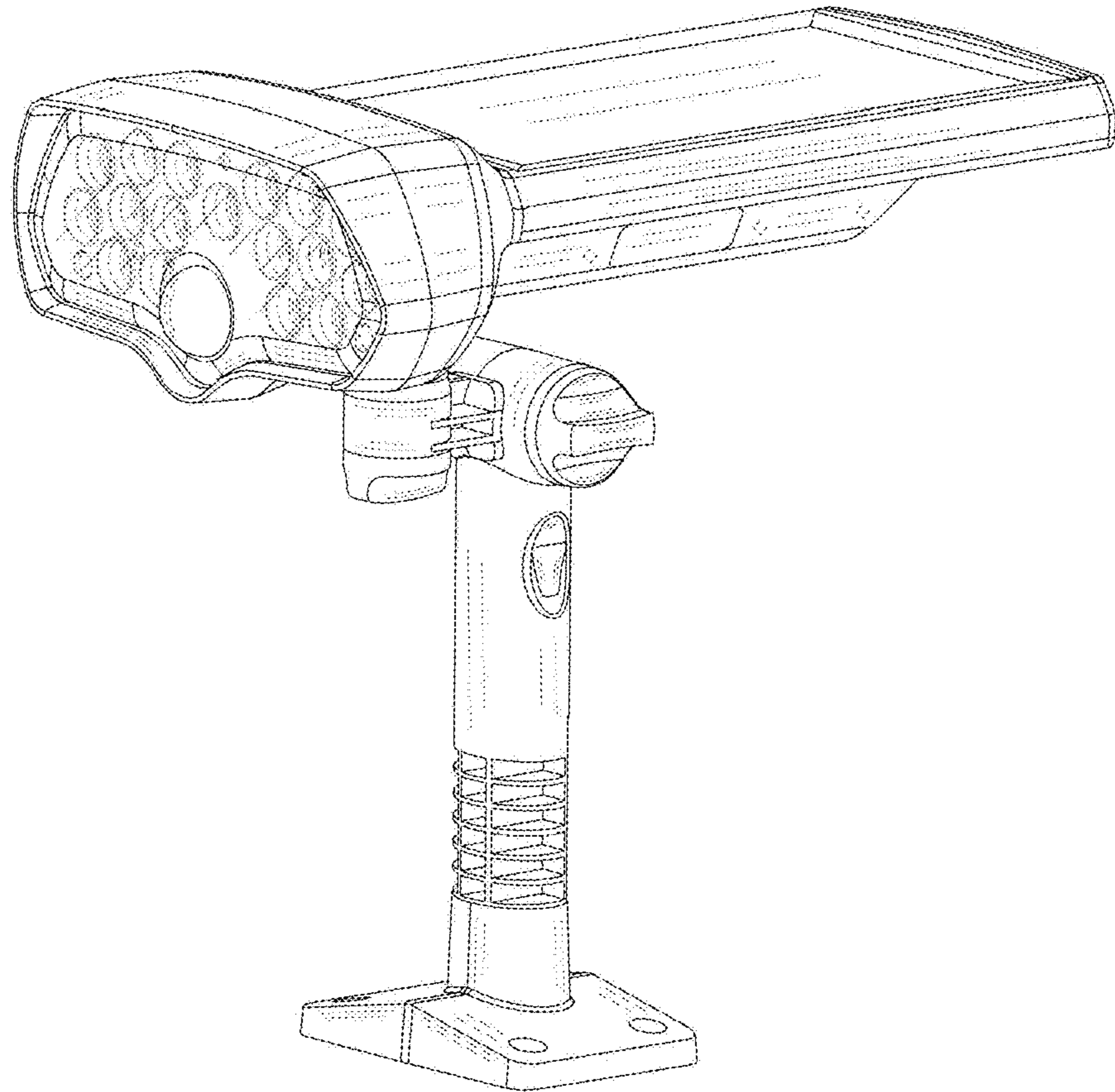


Fig. 13

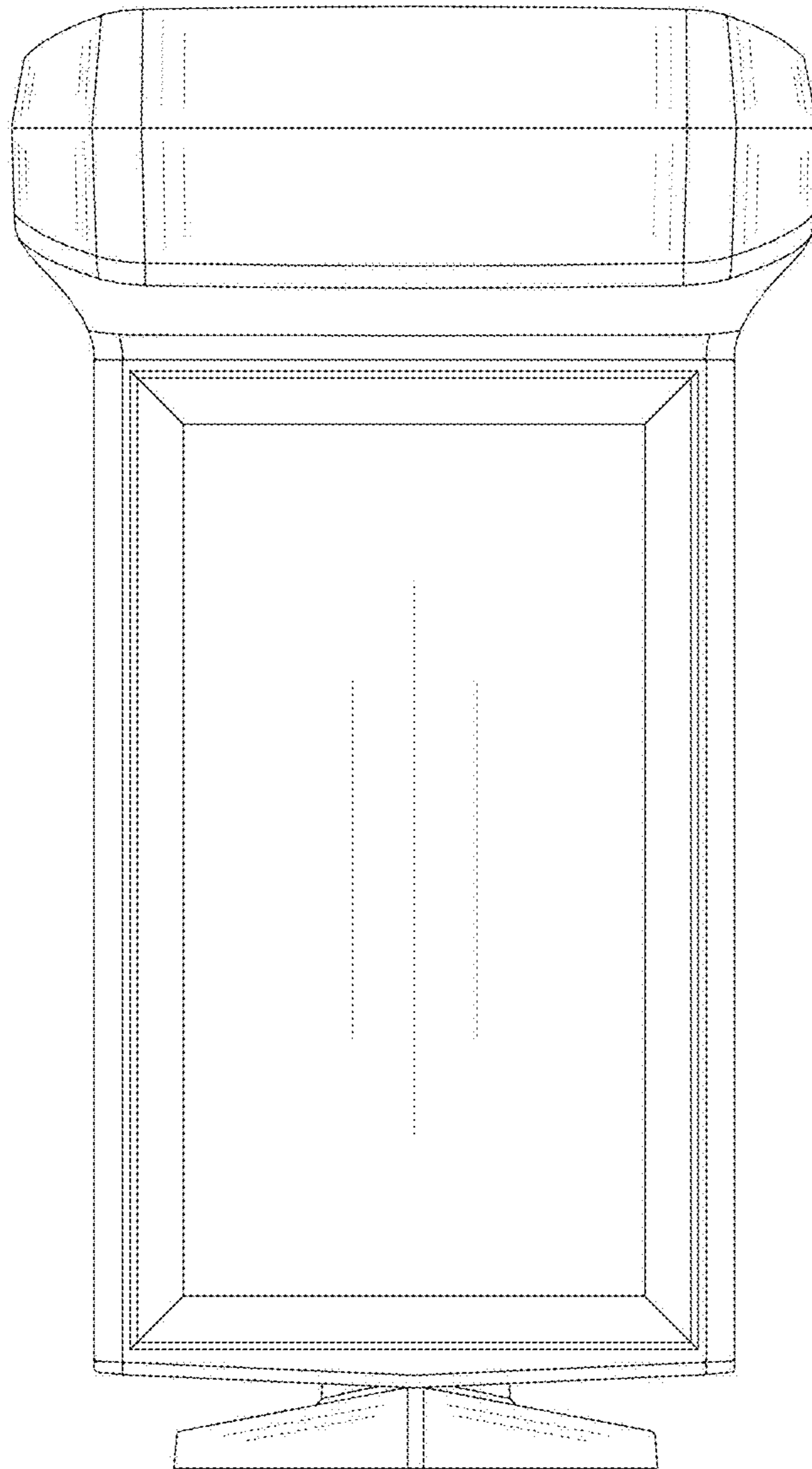


Fig. 14

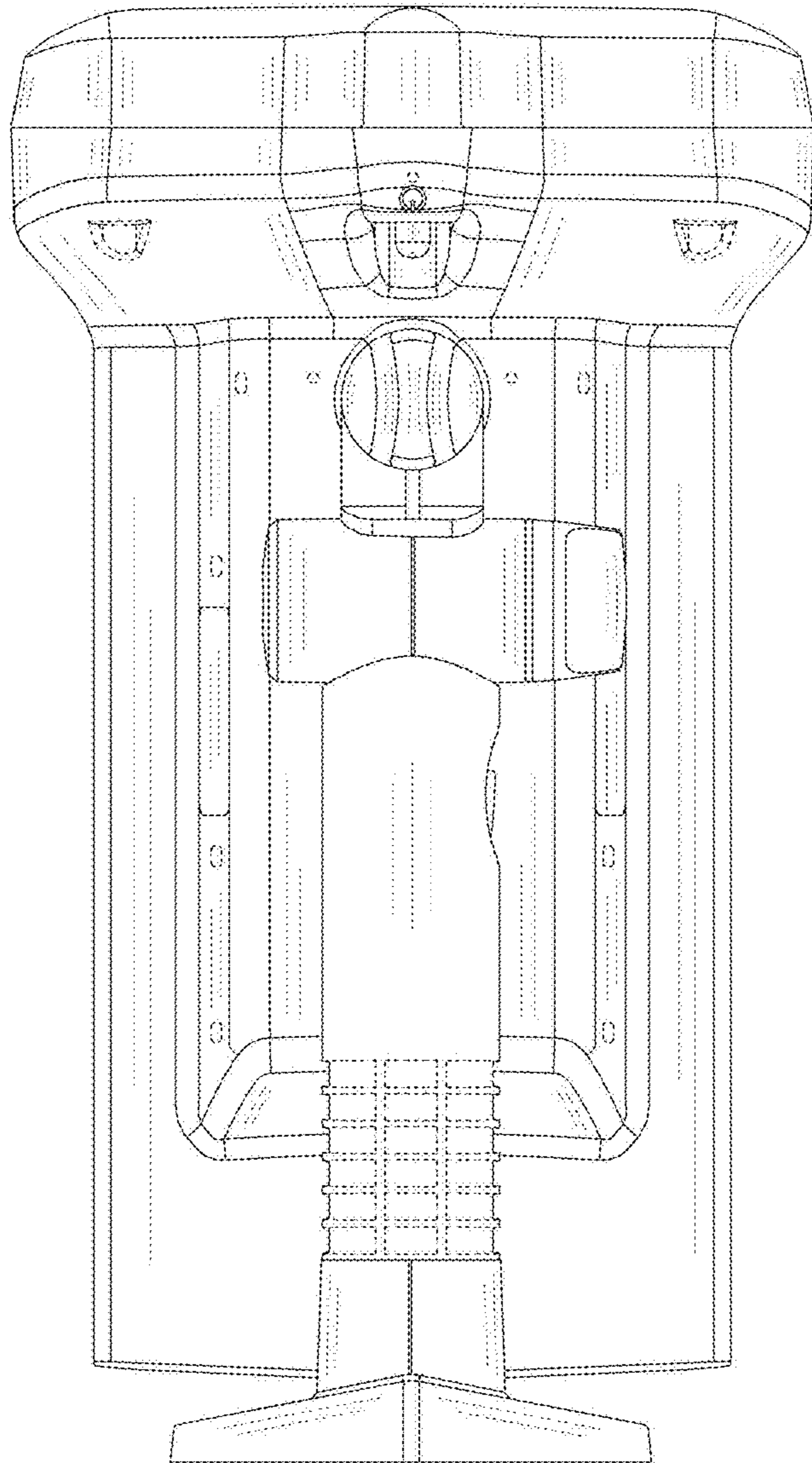


Fig. 15

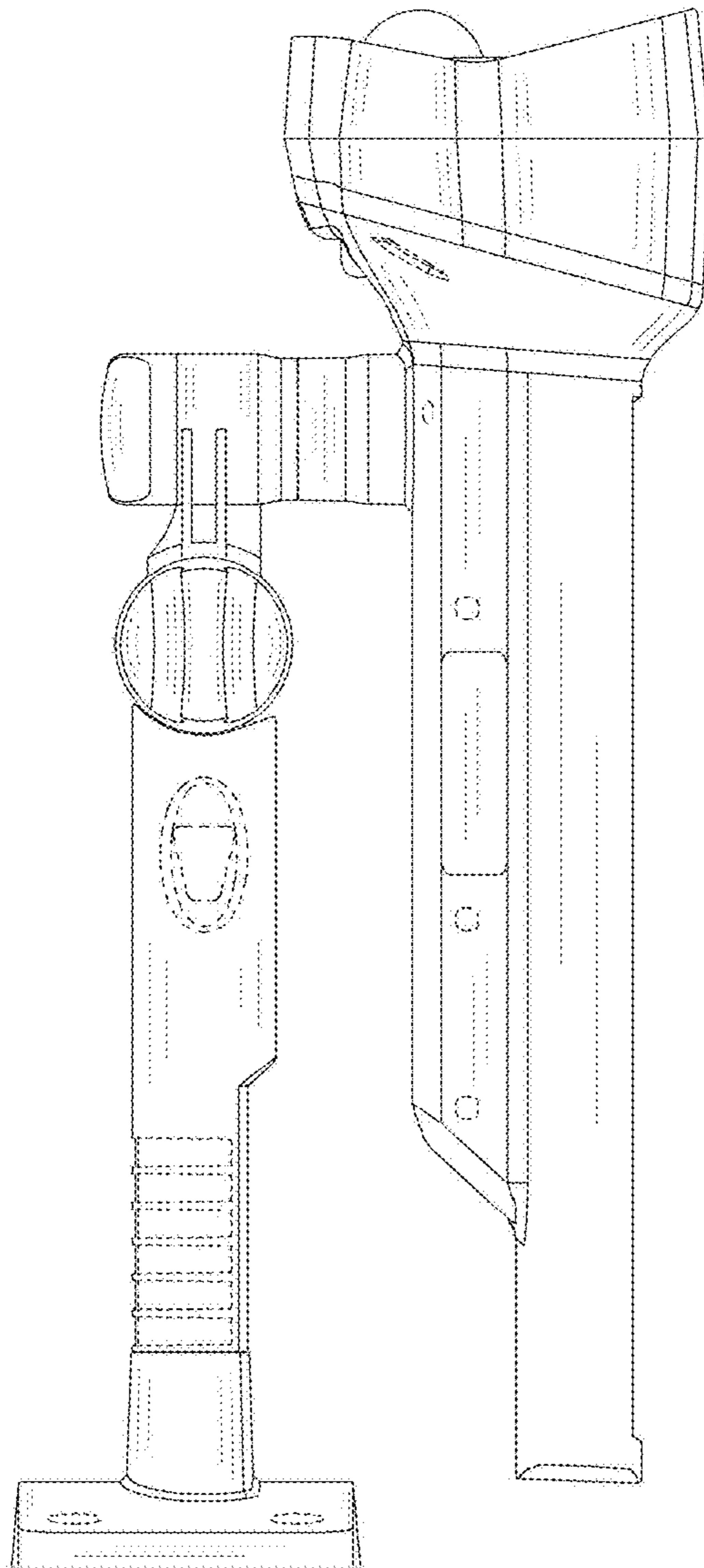


Fig. 16

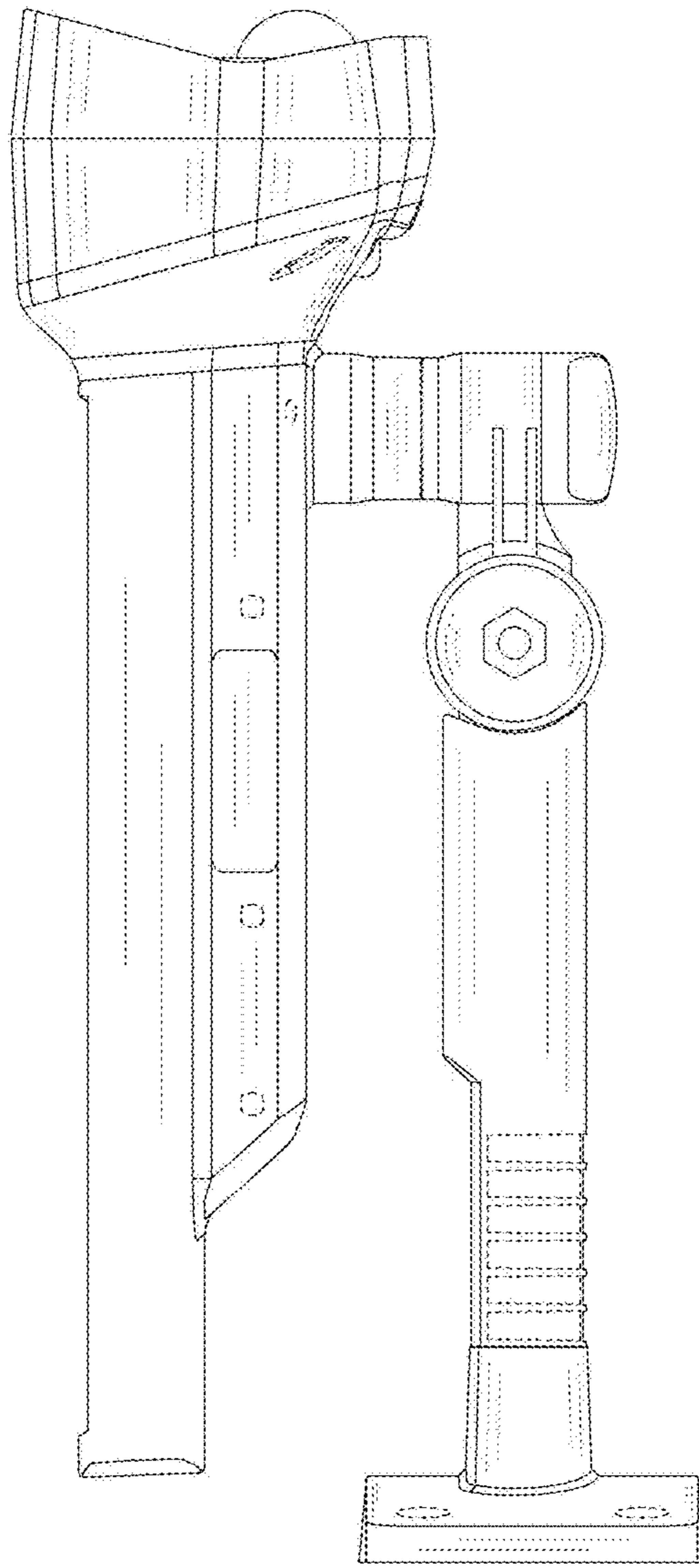


Fig. 17

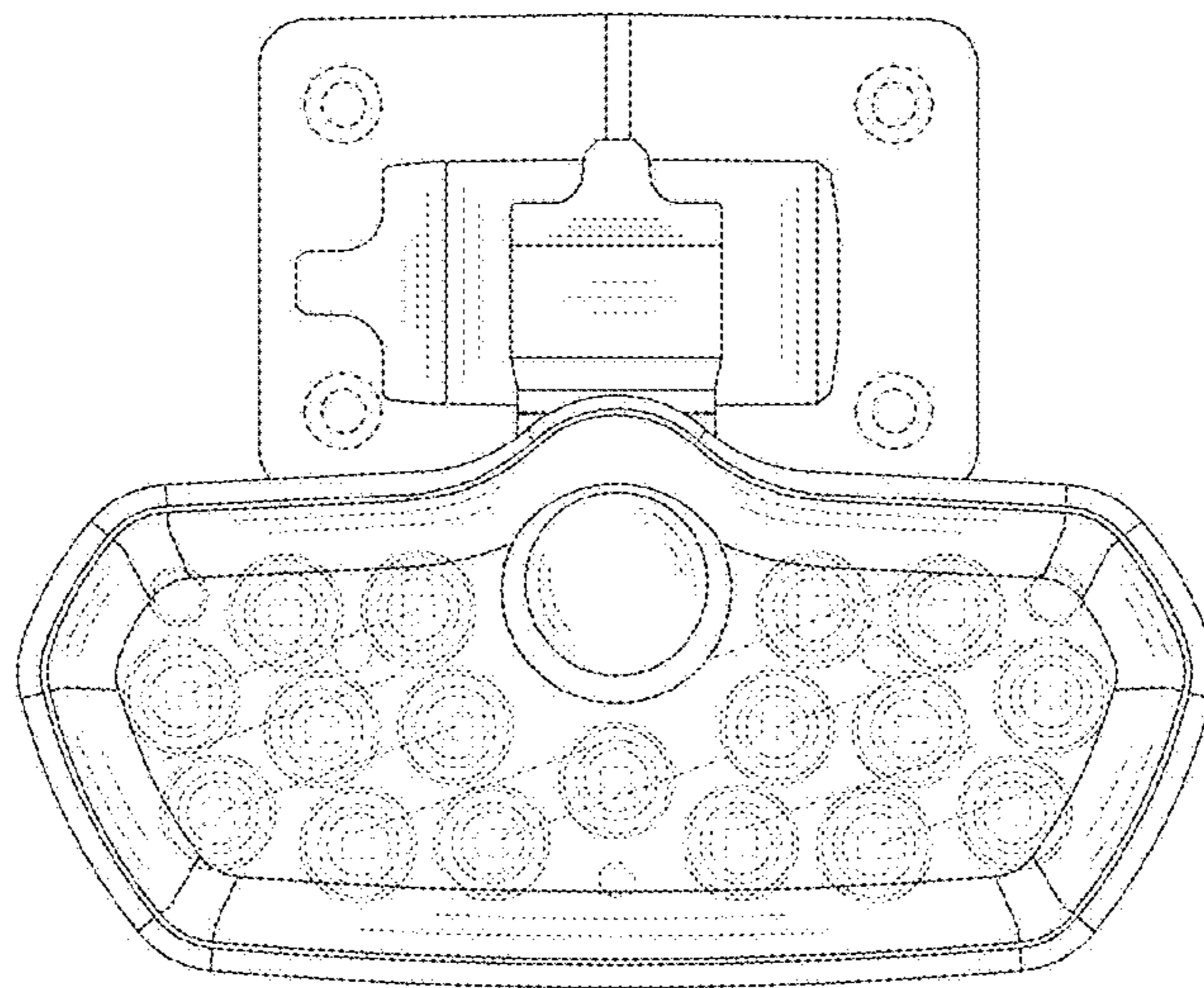


Fig. 18

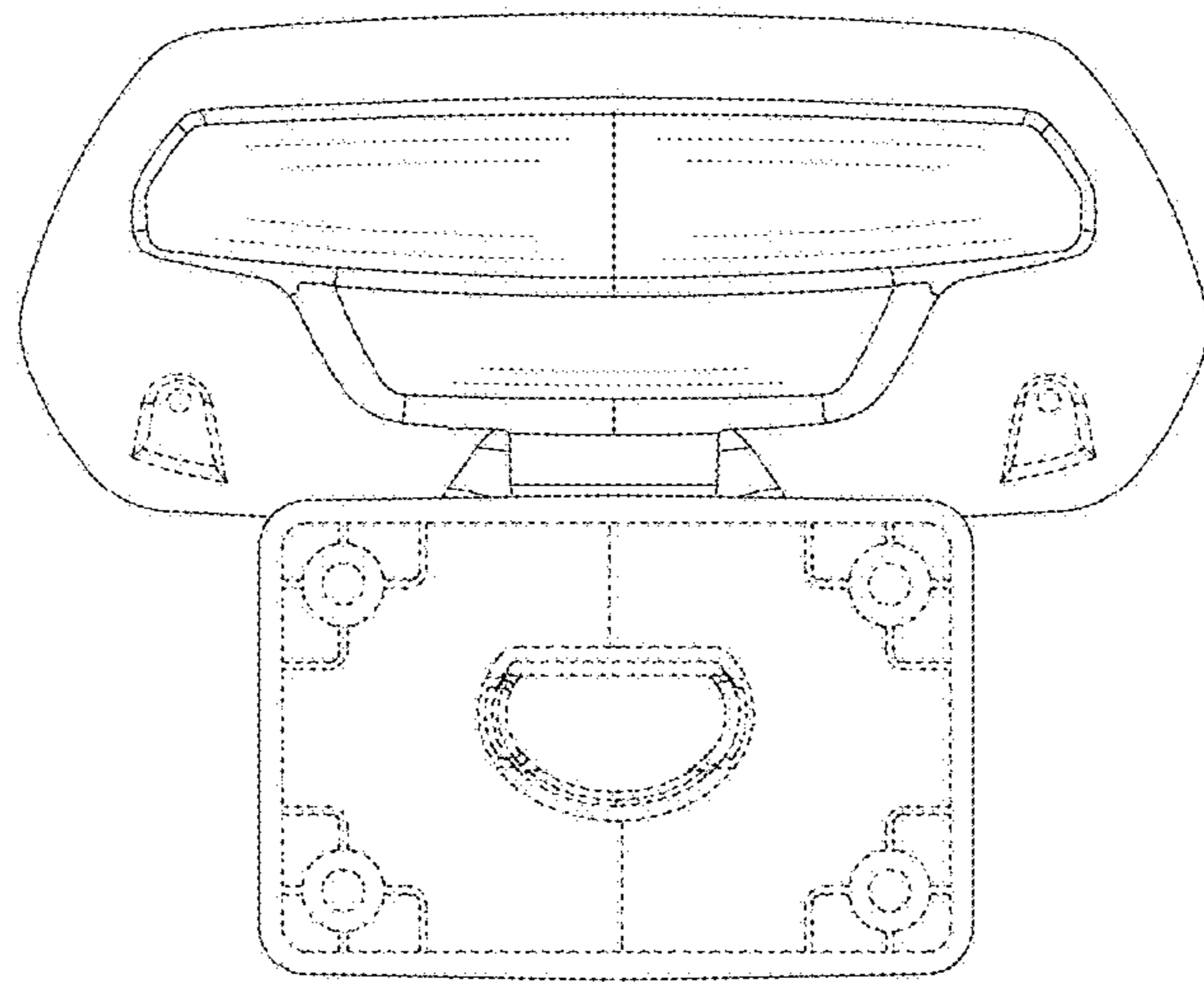


Fig. 19

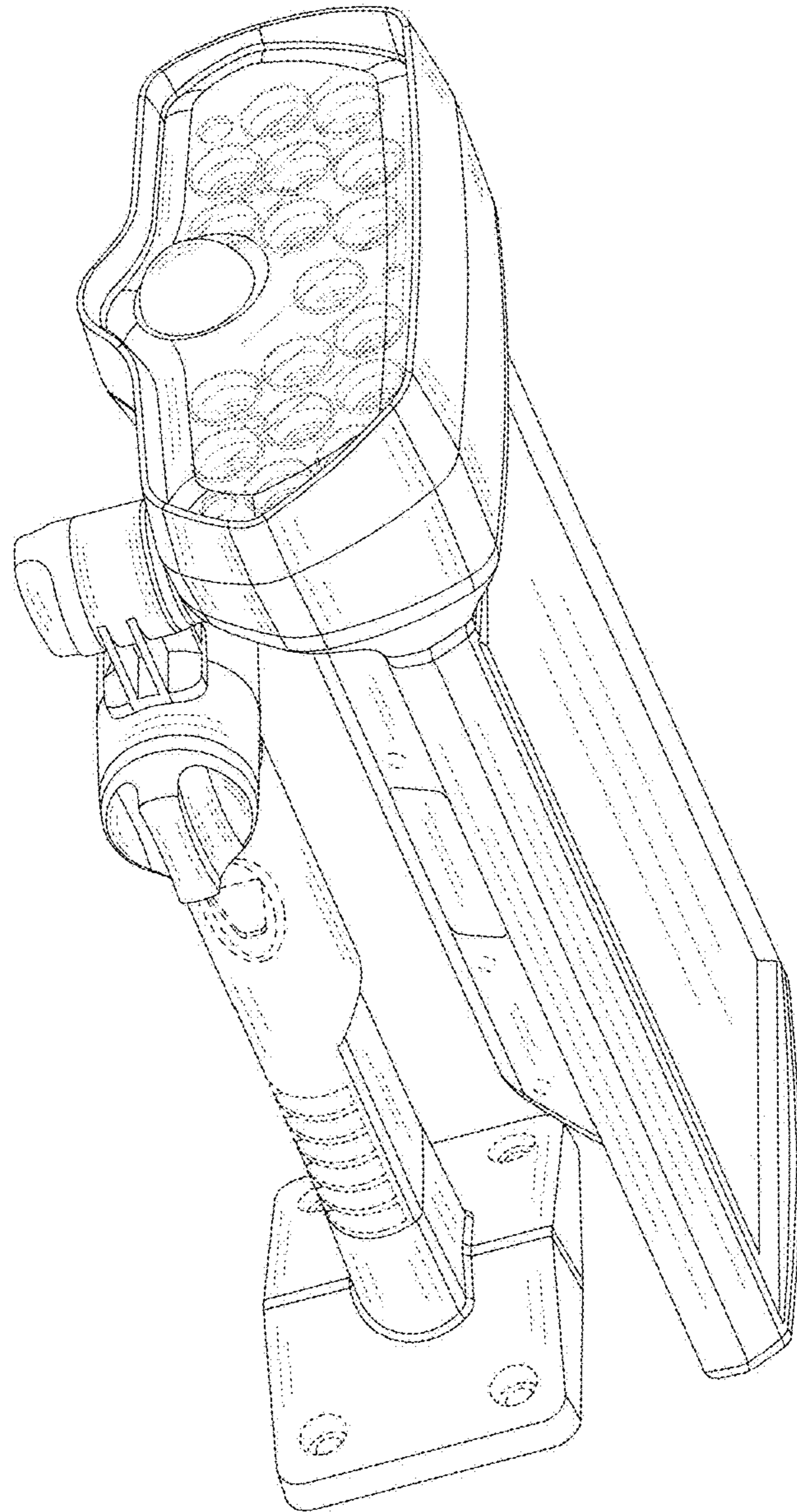


Fig. 20

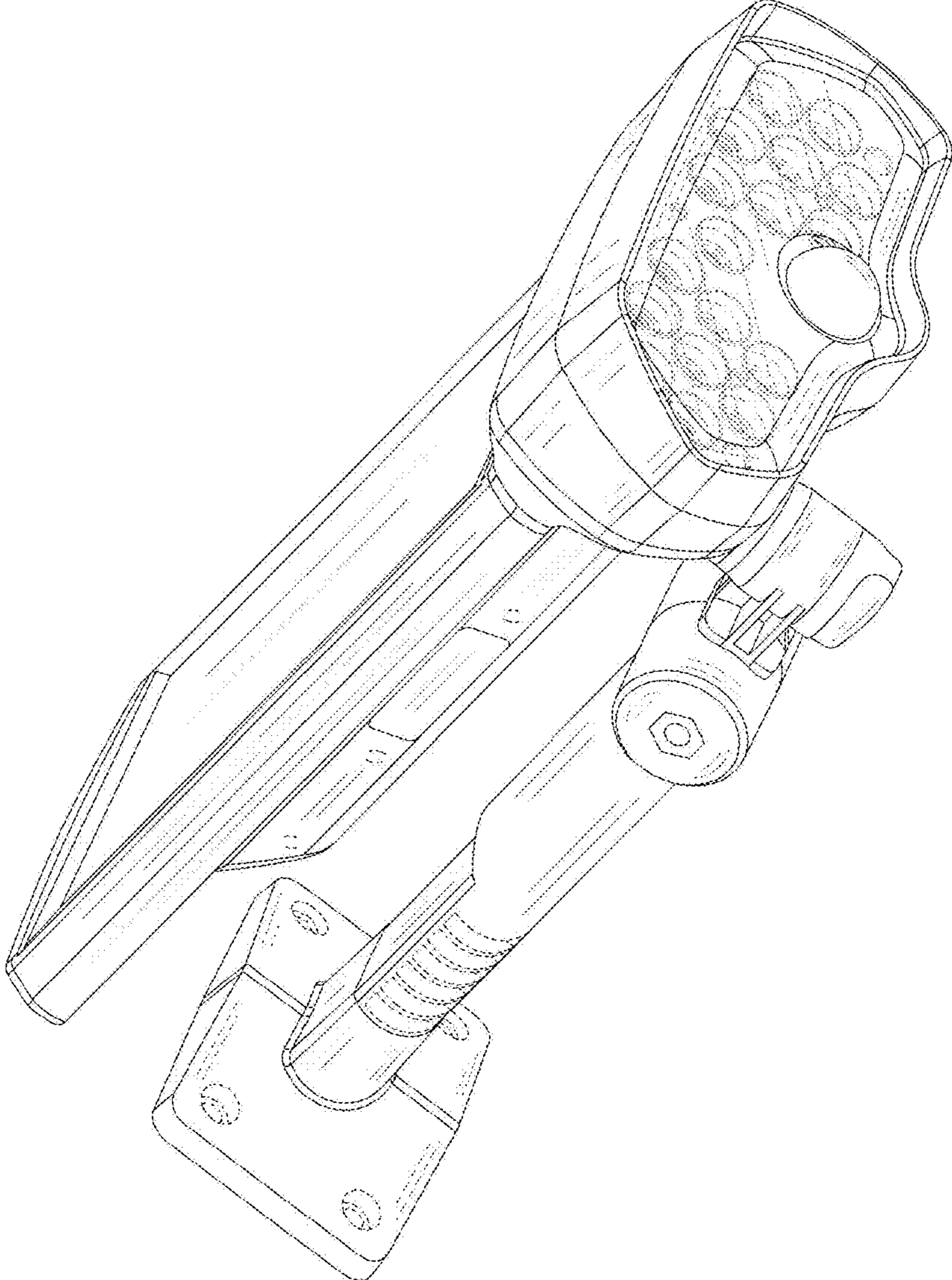


Fig. 21

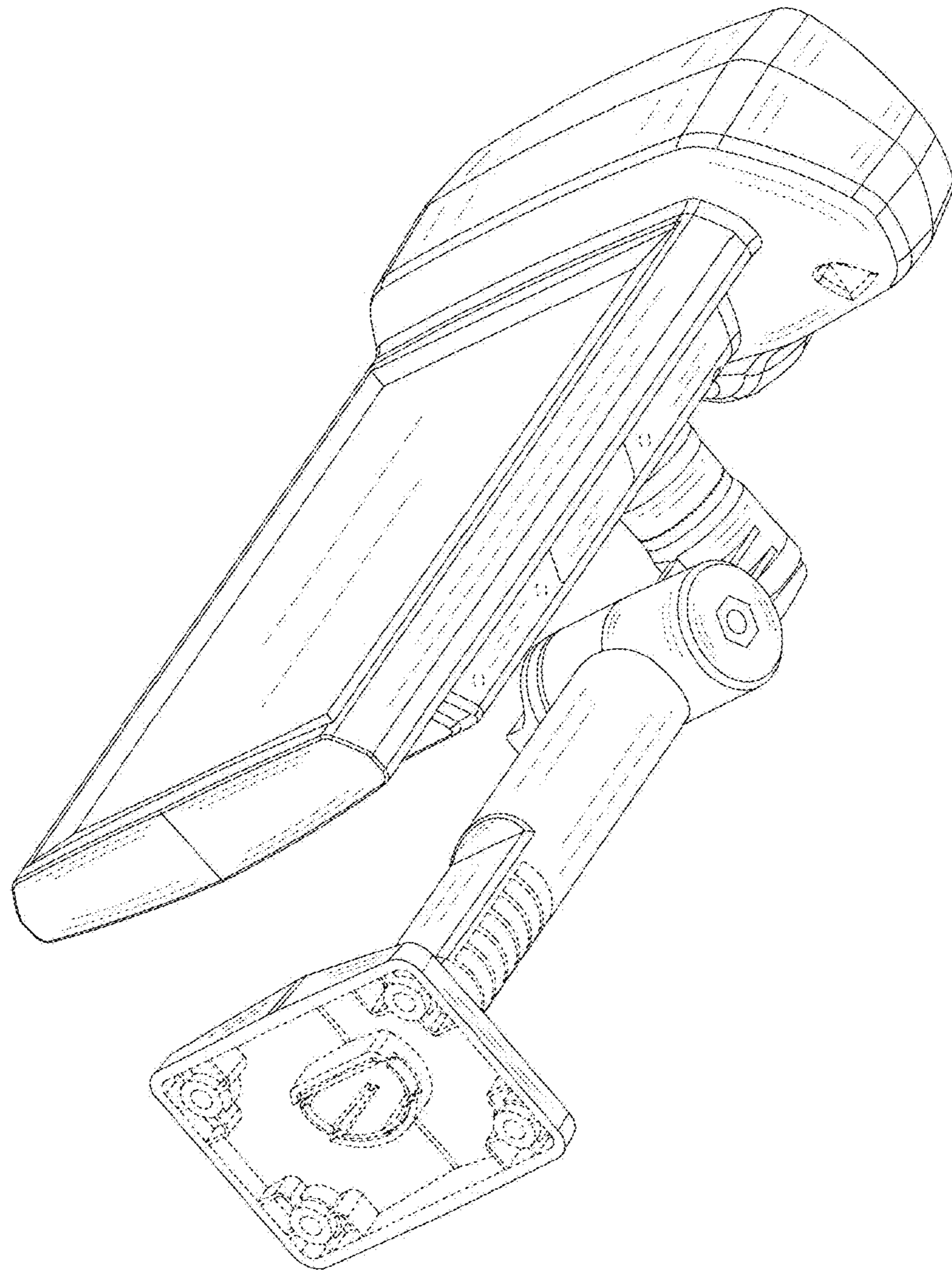


Fig. 22

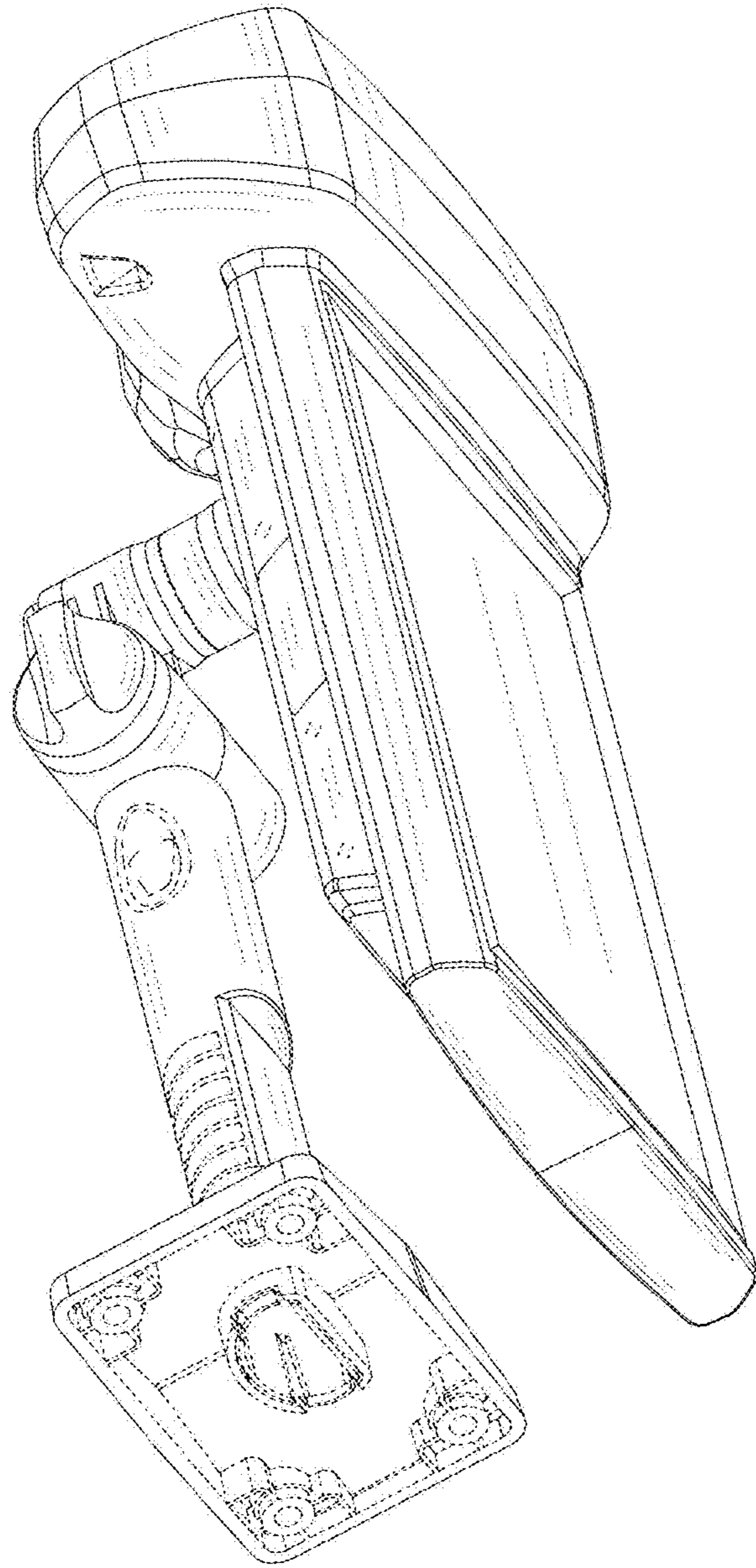


Fig. 23

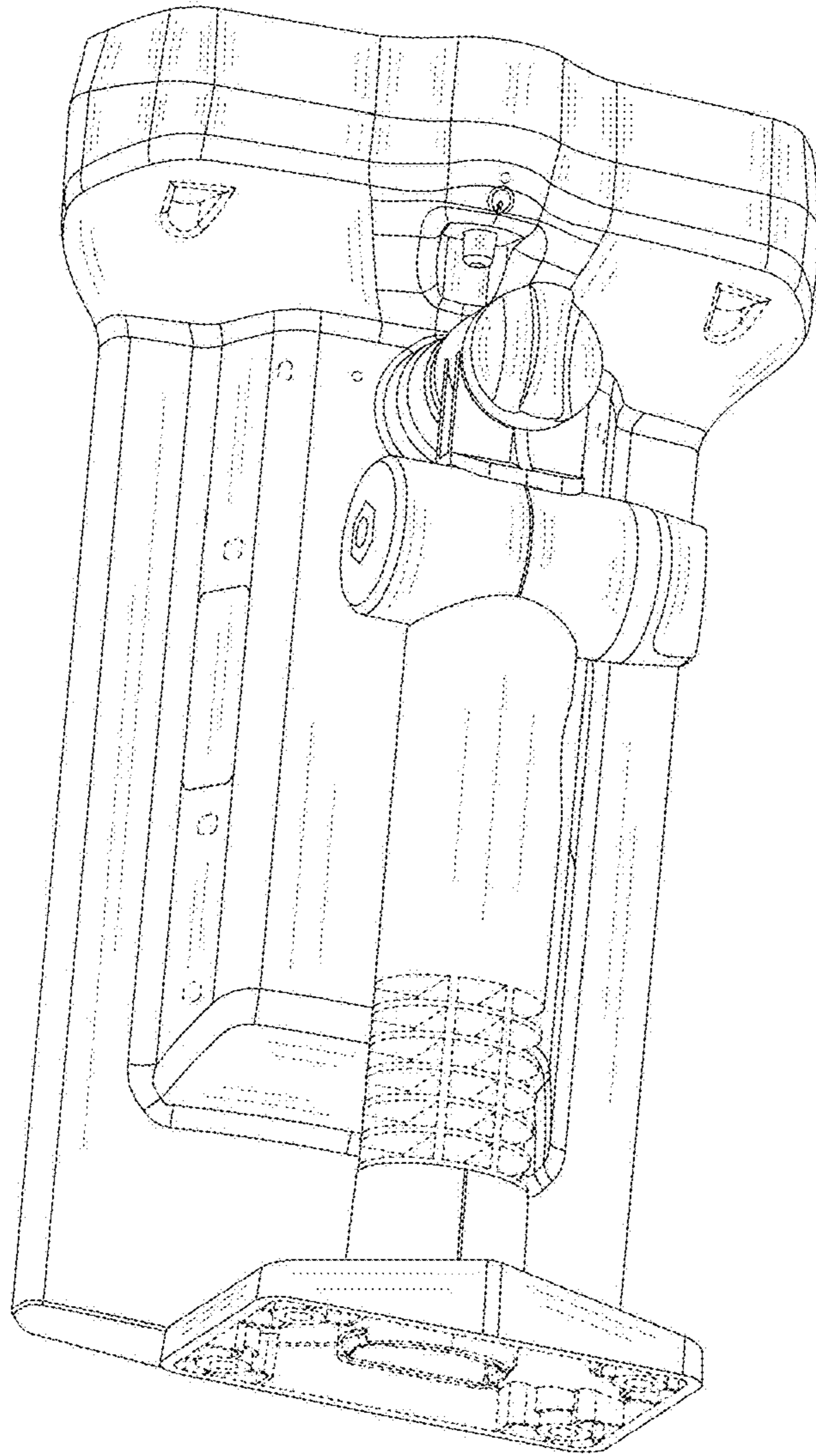


Fig. 24

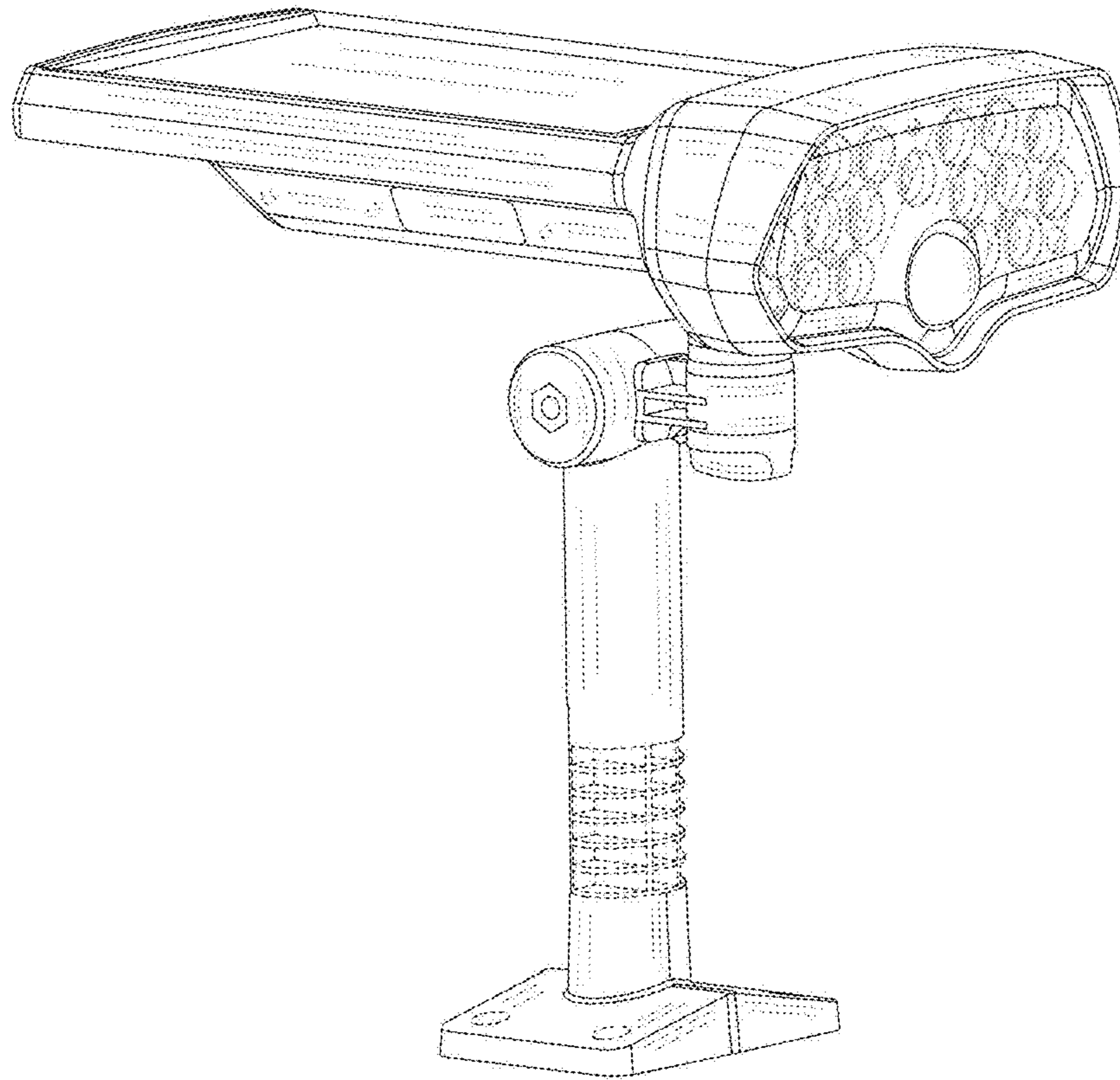


Fig. 25

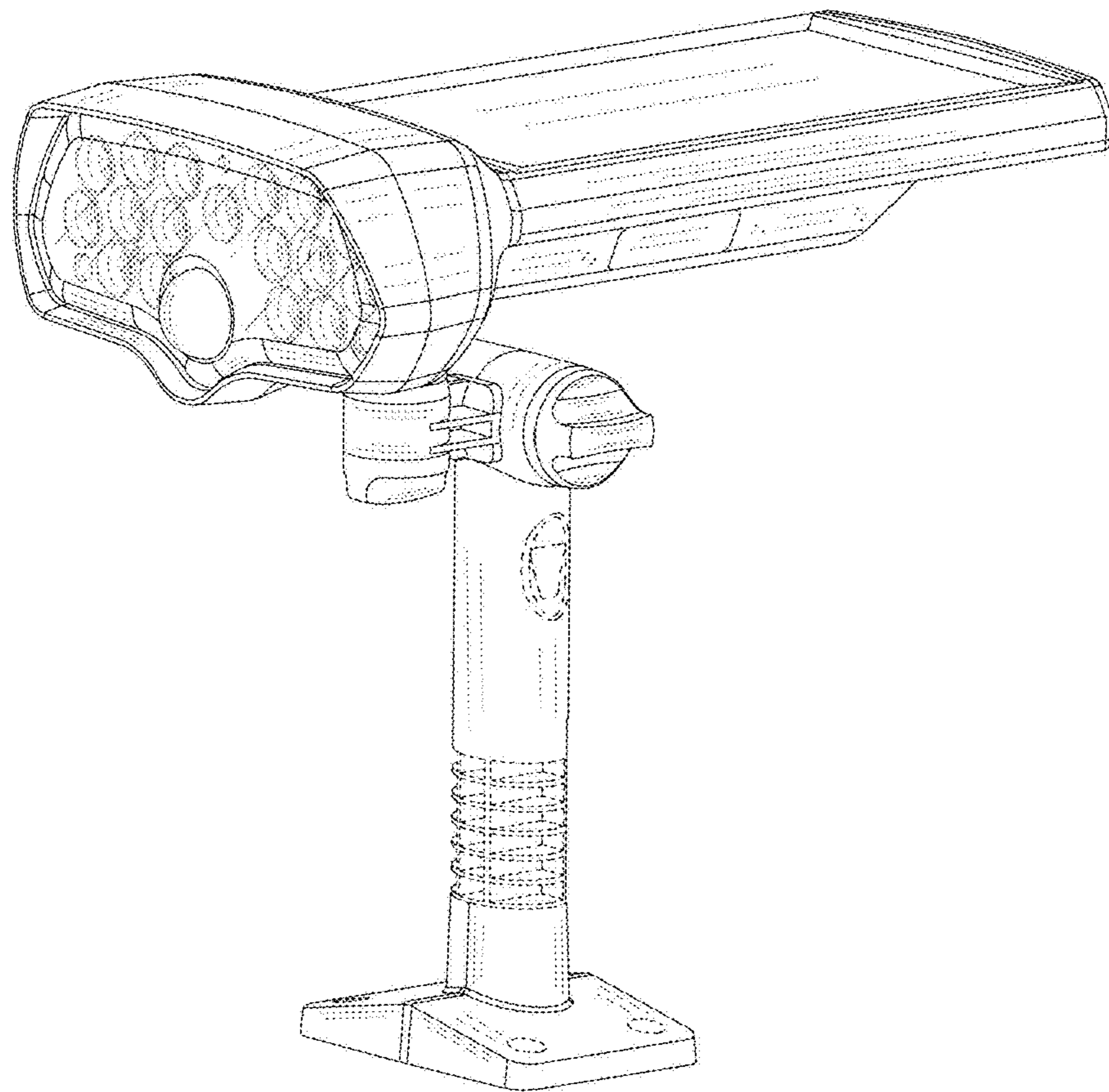


Fig. 26