



US00D852397S

(12) **United States Design Patent**
Medvec

(10) **Patent No.:** **US D852,397 S**

(45) **Date of Patent:** **** Jun. 25, 2019**

(54) **HANGING UMBRELLA LIGHT**

(71) Applicant: **RKR-Products, LLC**, Scottsdale, AZ (US)

(72) Inventor: **Tom Medvec**, Scottsdale, AZ (US)

(73) Assignee: **RKR-Products, LLC**, Scottsdale, AZ (US)

(**) Term: **15 Years**

(21) Appl. No.: **29/645,263**

(22) Filed: **Apr. 24, 2018**

(51) **LOC (11) Cl.** **26-05**

(52) **U.S. Cl.**
USPC **D26/60**

(58) **Field of Classification Search**
USPC D26/1, 24, 60-66, 71, 72, 93, 106, 107, D26/118

CPC . A45B 3/02; A47B 97/04; A47B 97/06; F21L 4/00; F21L 4/08; F21V 19/00; F21V 21/02; F21V 21/08; F21V 23/04; F21V 33/00; F21V 1/00; F21V 17/00; F21V 17/06; F21V 17/12; F21V 17/168; F21V 21/088; F21V 21/0885; F21V 21/108; H05K 13/00

See application file for complete search history.

(56) **References Cited**

U.S. PATENT DOCUMENTS

D104,036 S *	4/1937	Kanter	D26/66
D104,846 S *	6/1937	Goodman	D26/66
2,124,141 A *	7/1938	Hildebrand	F21S 6/002 174/86
2,265,451 A *	12/1941	Oremus	F21S 8/033 16/104
2,537,927 A *	1/1951	Boltuch	F21S 6/003 248/124.2
2,745,950 A *	5/1956	Tseng	F21V 23/04 439/667
D385,052 S *	10/1997	Huang	D26/60

D542,961 S *	5/2007	Mellon	D26/114
D568,708 S *	5/2008	Petruccelli	D8/73
D643,957 S *	8/2011	Verelst	D26/65
2007/0034767 A1 *	2/2007	Mastropaolo	A47B 23/02 248/447.2
2007/0189022 A1 *	8/2007	Tsao	F21V 17/10 362/382
2010/0207003 A1 *	8/2010	Bruno	F16M 11/40 248/231.21

OTHER PUBLICATIONS

iMagitek Portable reading Light, downloaded from Amazon.com on Mar. 29, 2018.

* cited by examiner

Primary Examiner — Angela J Lee

Assistant Examiner — Shawn T Gingrich

(74) *Attorney, Agent, or Firm* — Etherton Law Group, LLC

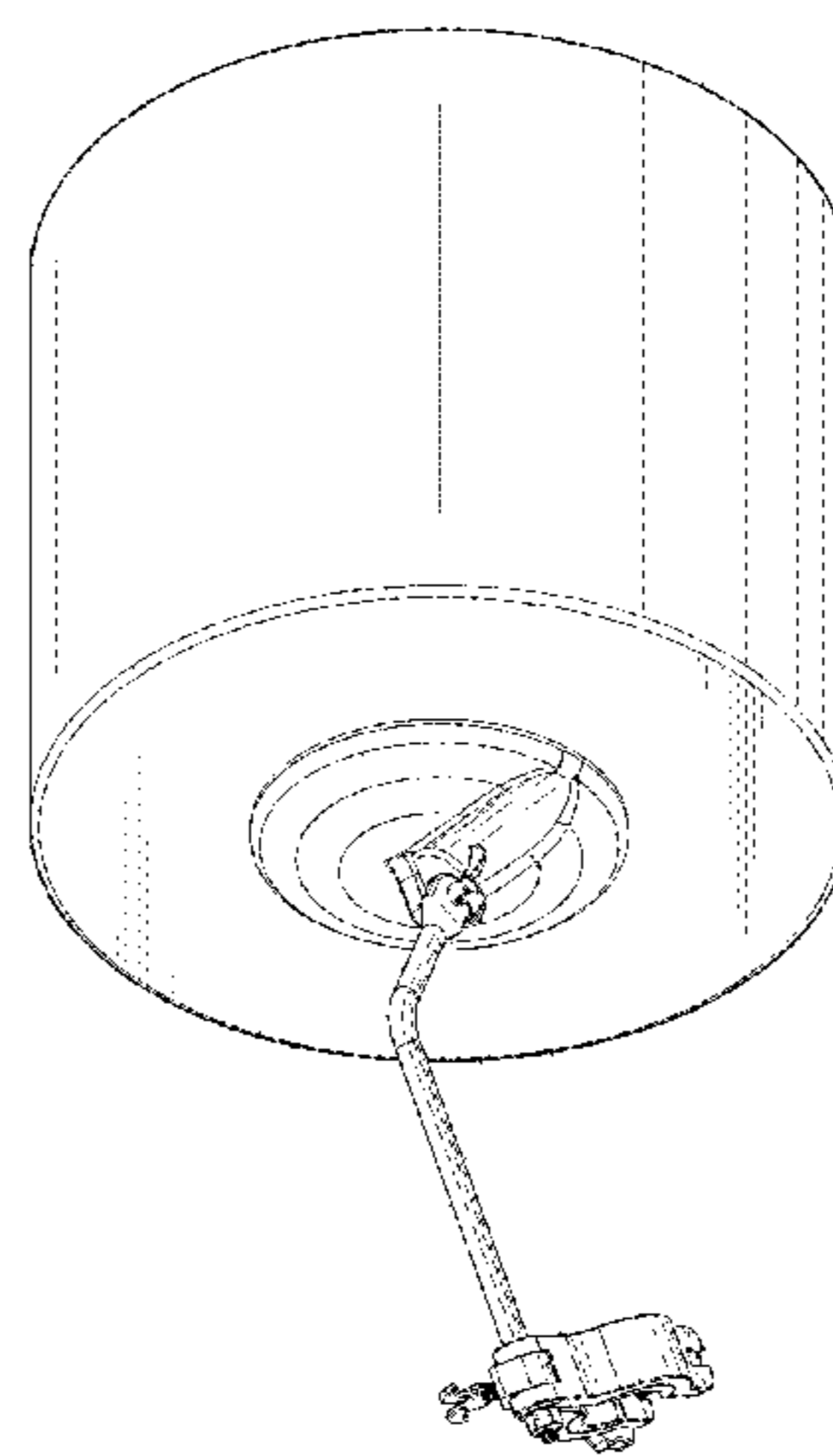
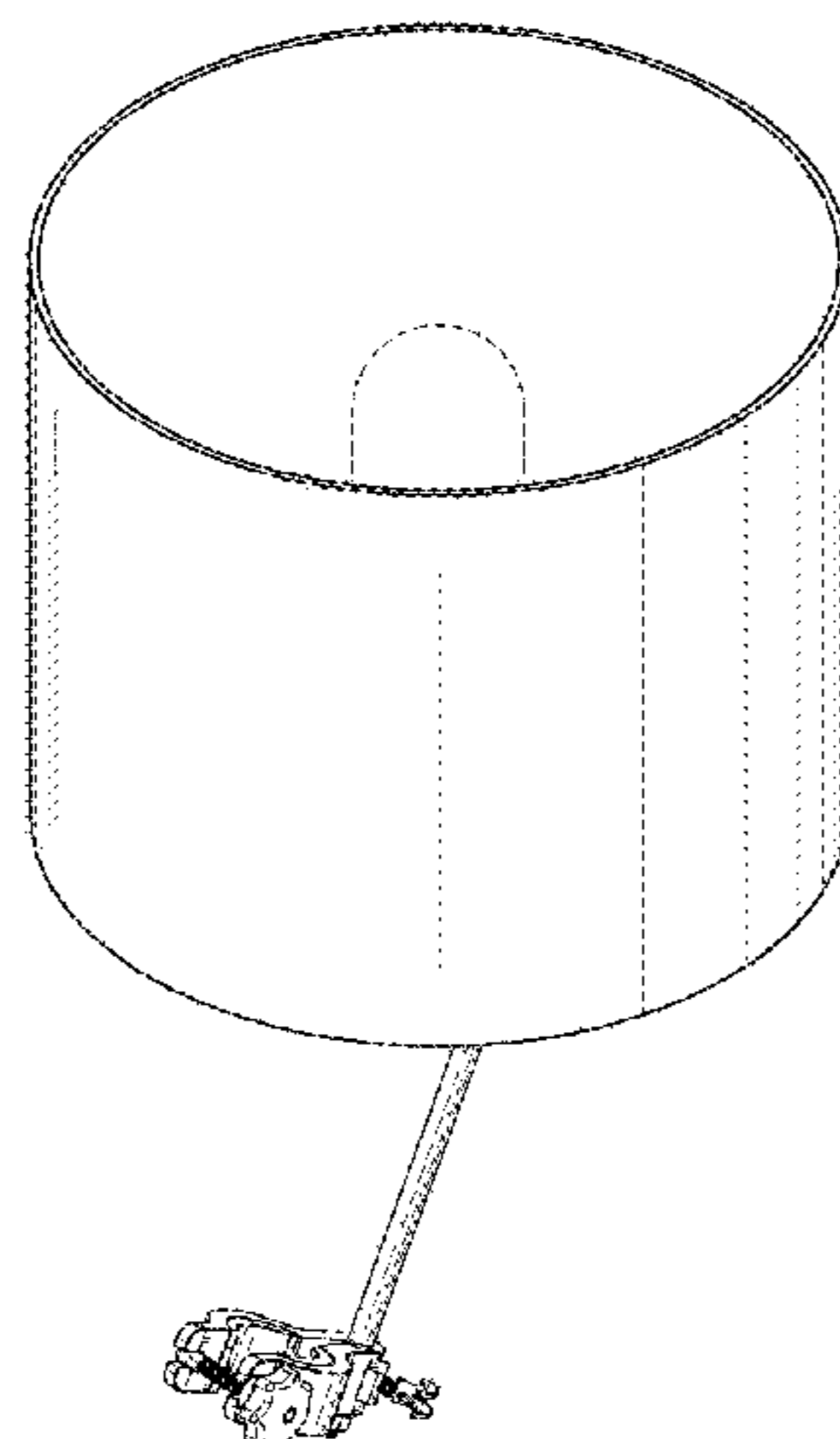
(57) **CLAIM**

The ornamental design for a hanging umbrella light, as shown and described.

DESCRIPTION

FIG. 1 is a top right rear perspective of a hanging umbrella light, showing the new design; FIG. 2 is a rear view thereof; FIG. 3 is a front view thereof; FIG. 4 is a right view thereof; FIG. 5 is a left view thereof; FIG. 6 is a top view thereof; FIG. 7 is a bottom view thereof; and, FIG. 8 is a bottom left perspective thereof. The broken lines in the drawings illustrate portions of the hanging umbrella light that form no part of the claimed design.

1 Claim, 8 Drawing Sheets



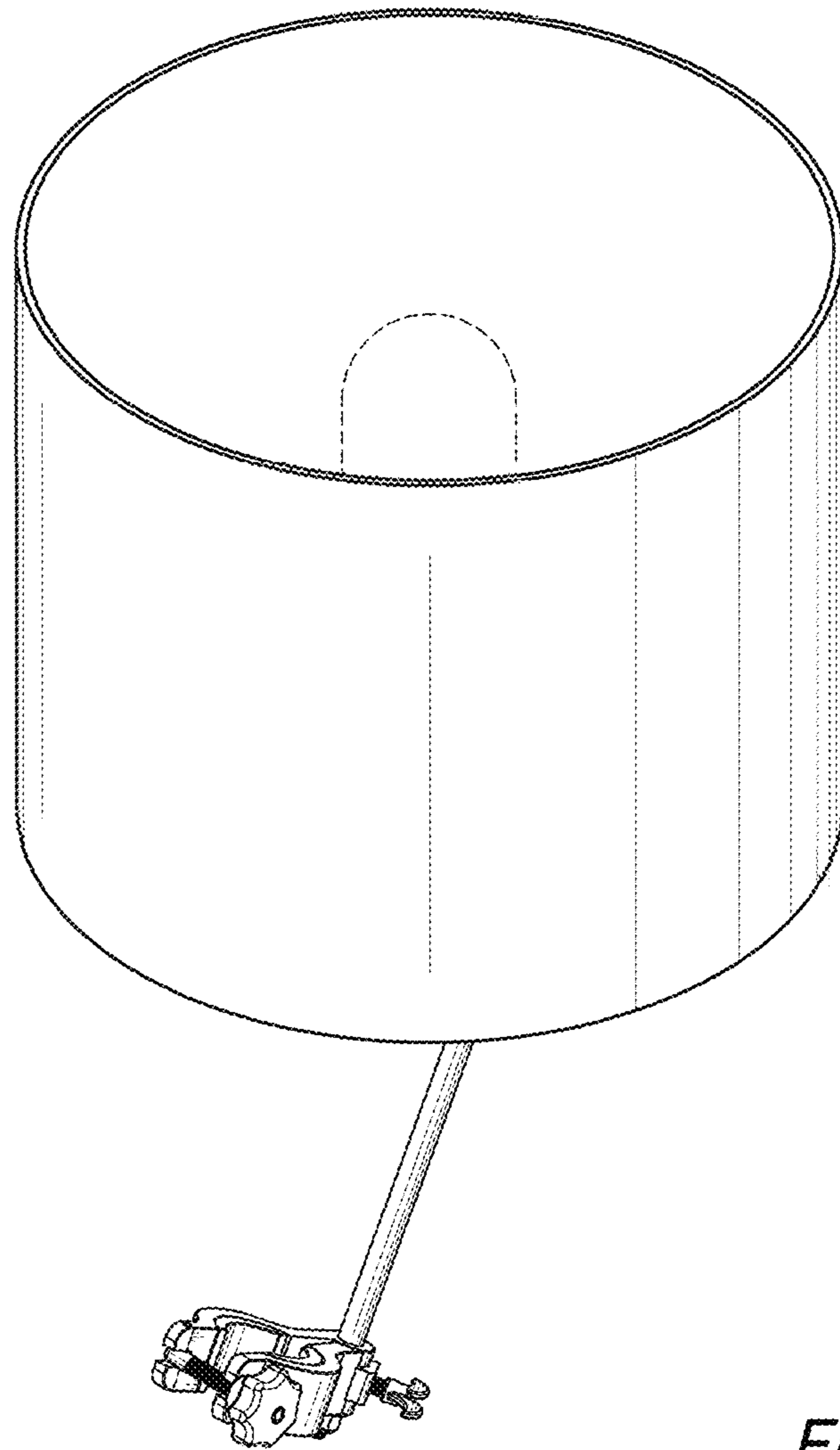


FIG. 1

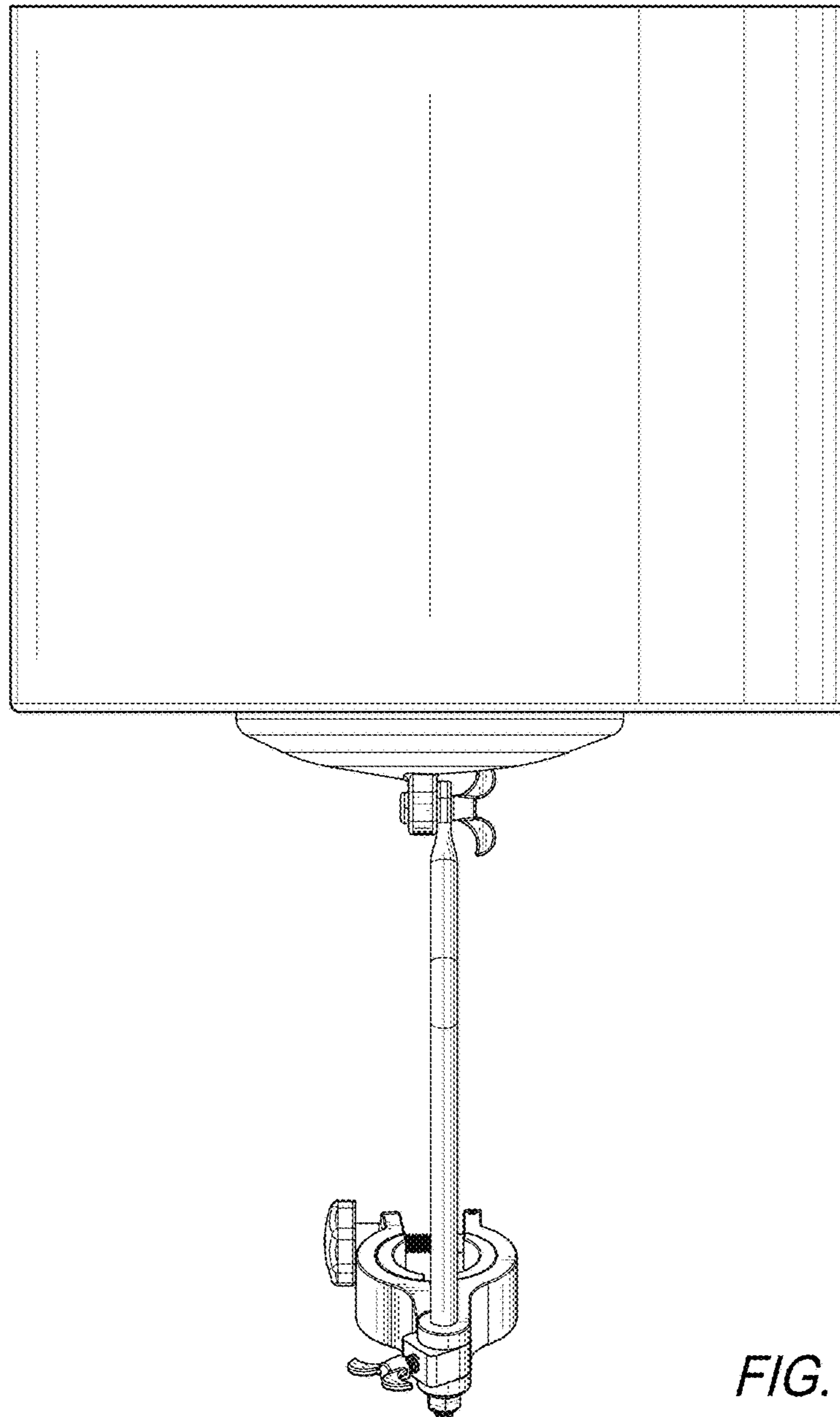


FIG. 2

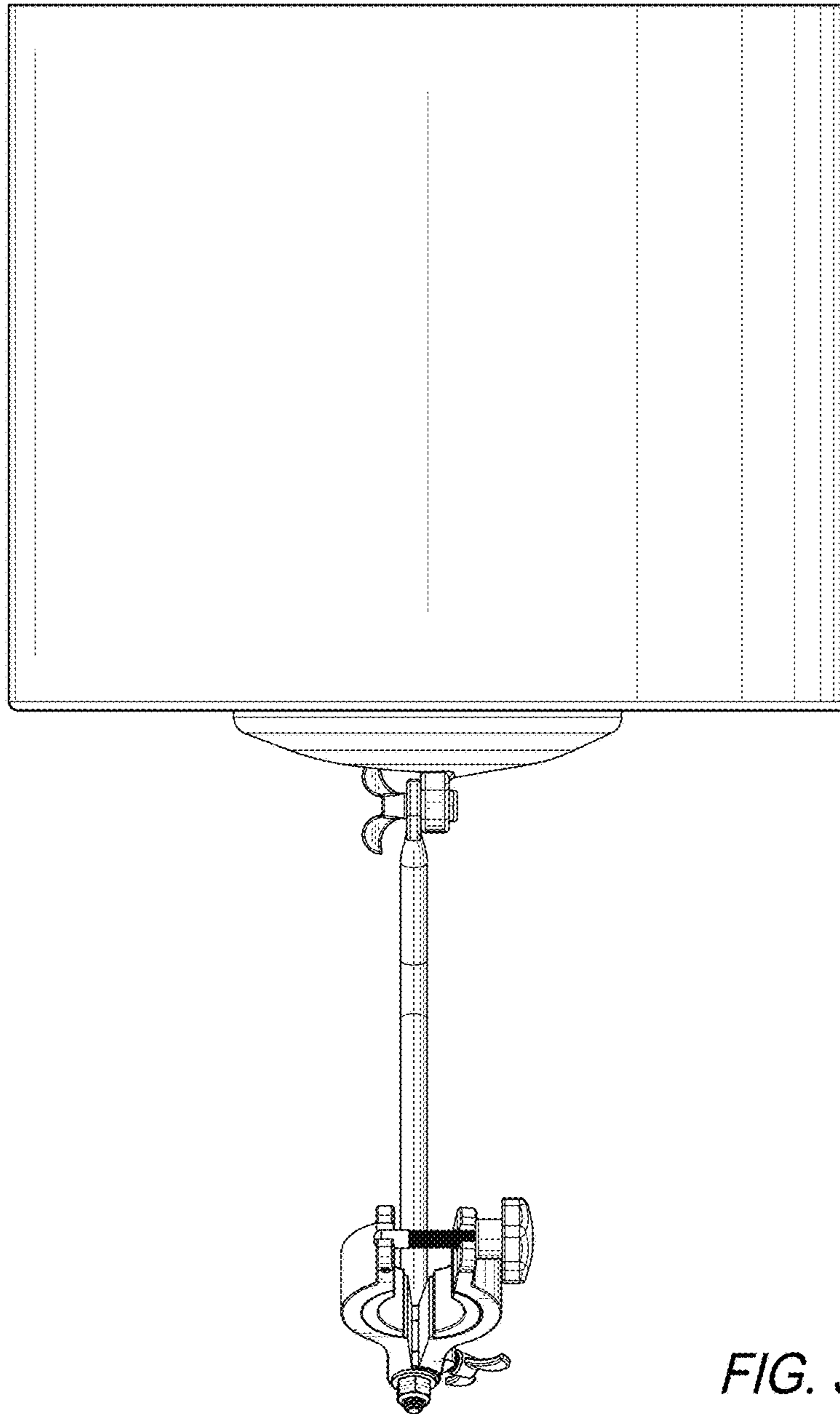


FIG. 3

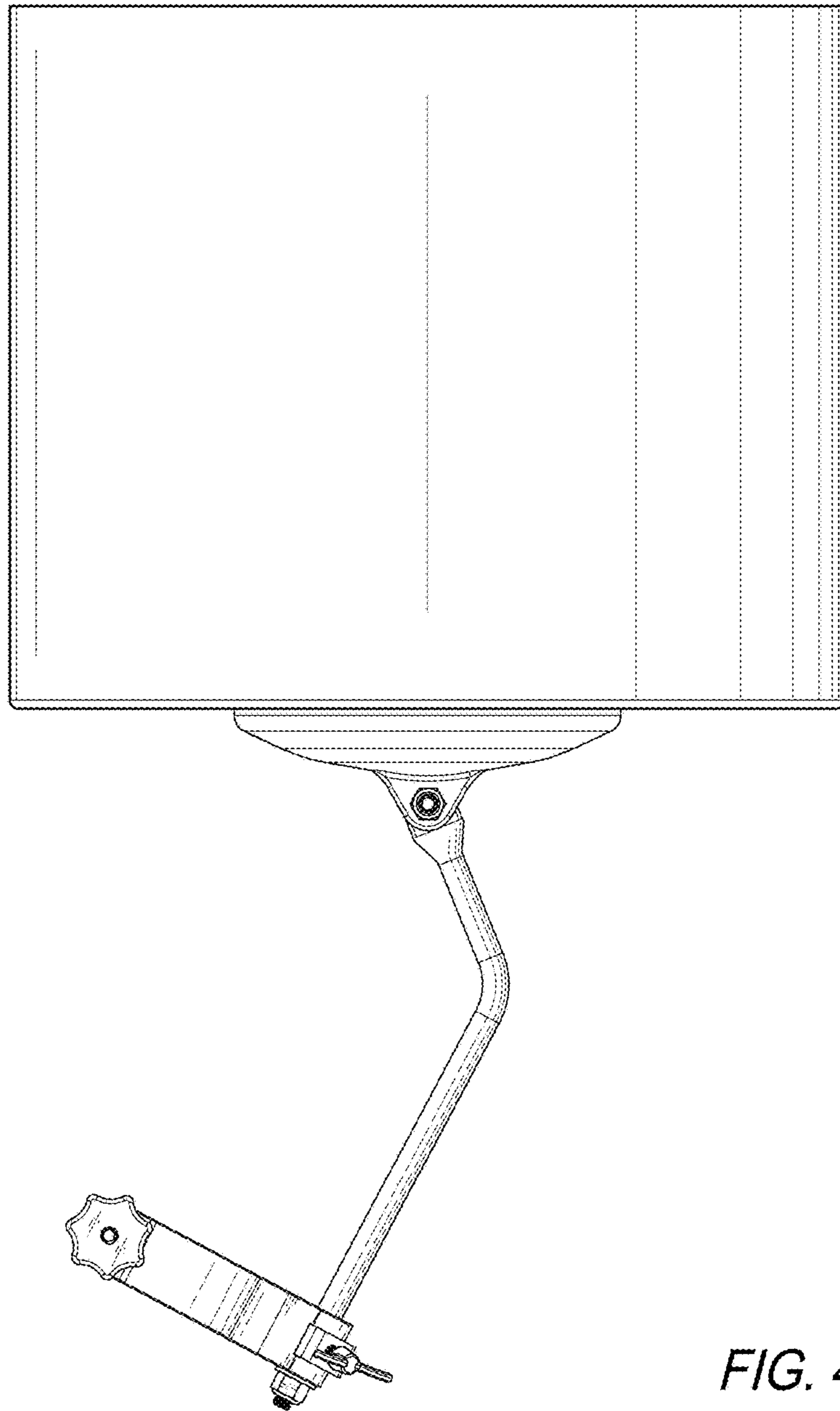


FIG. 4

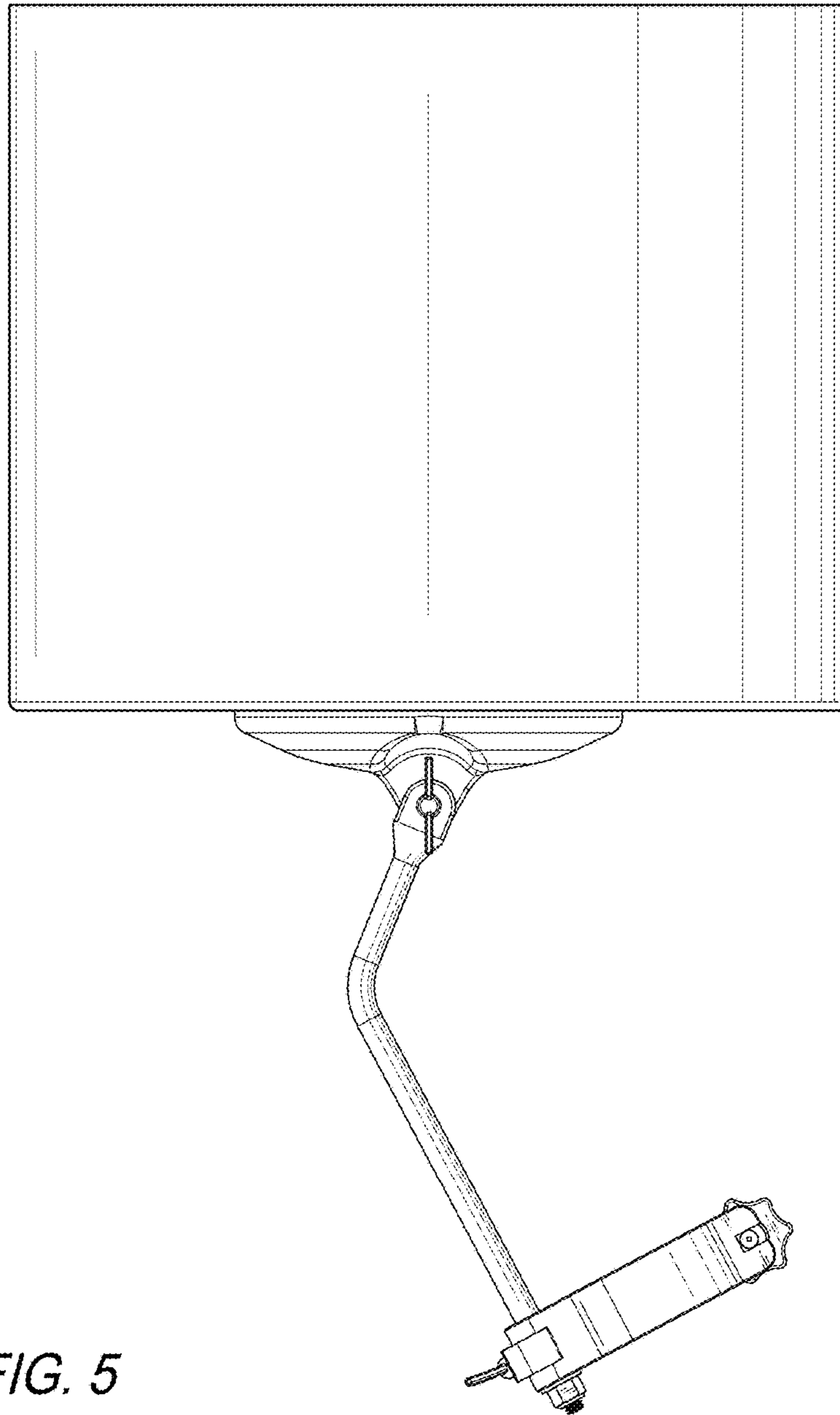


FIG. 5

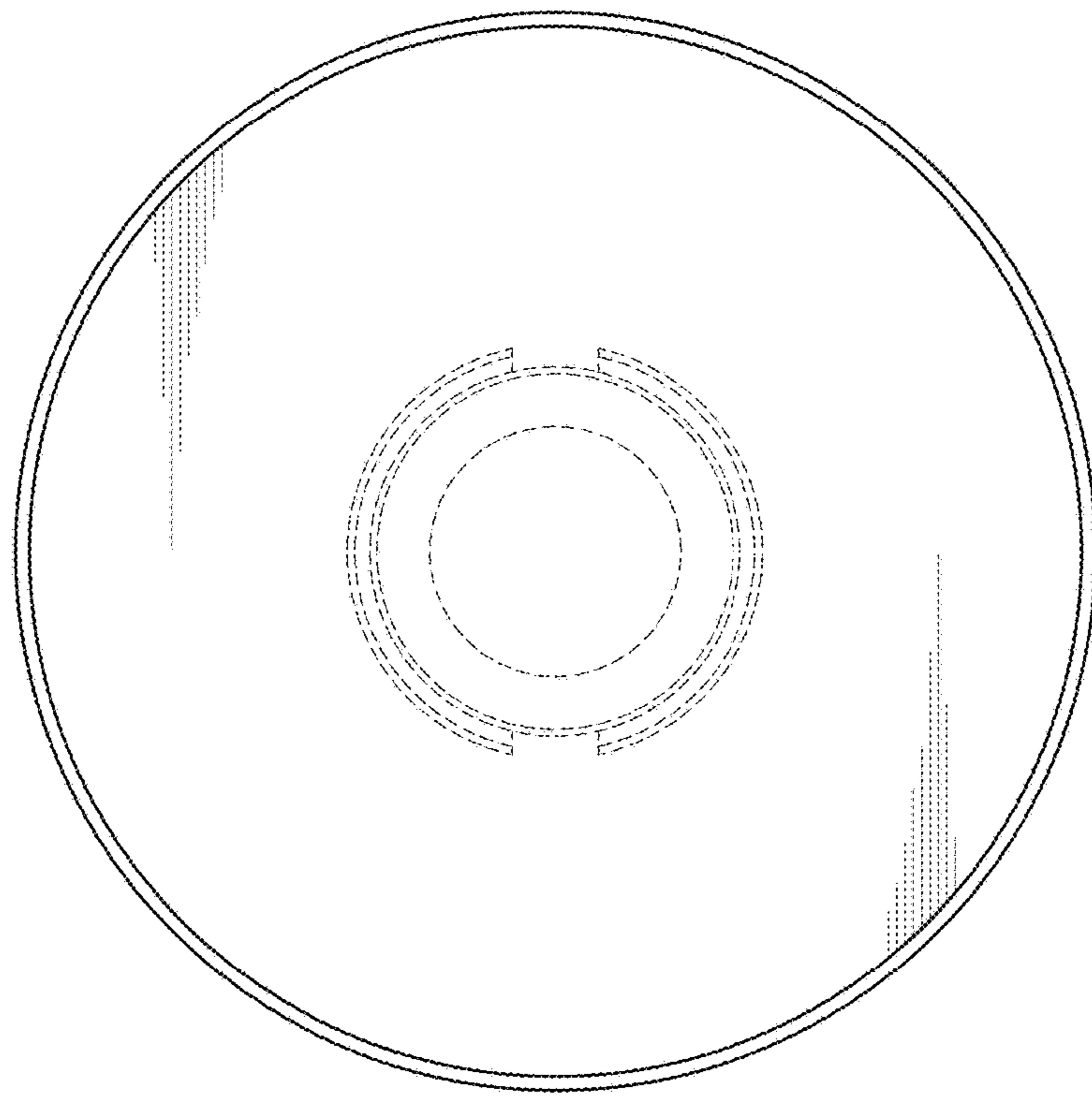


FIG. 6

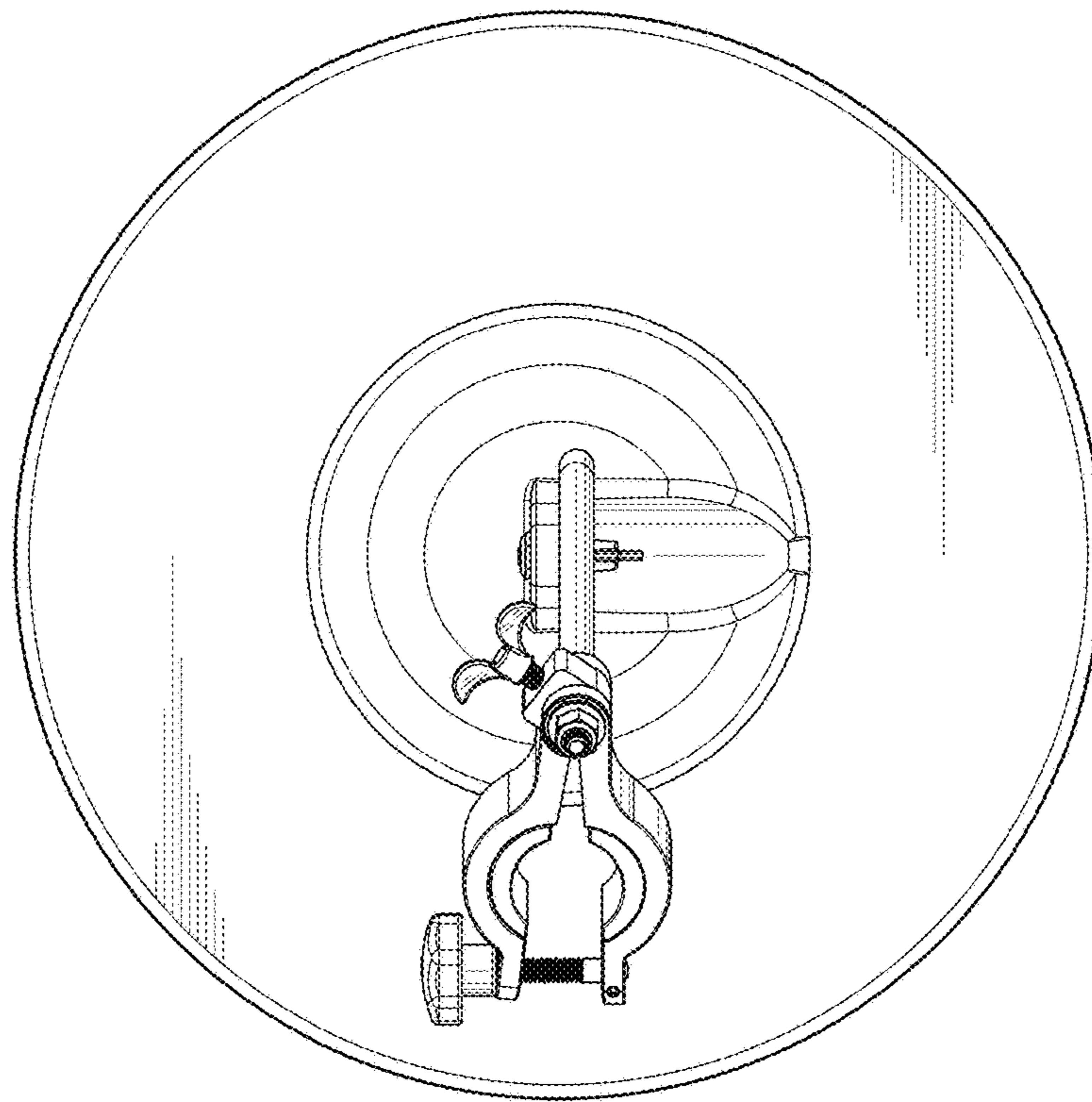


FIG. 7

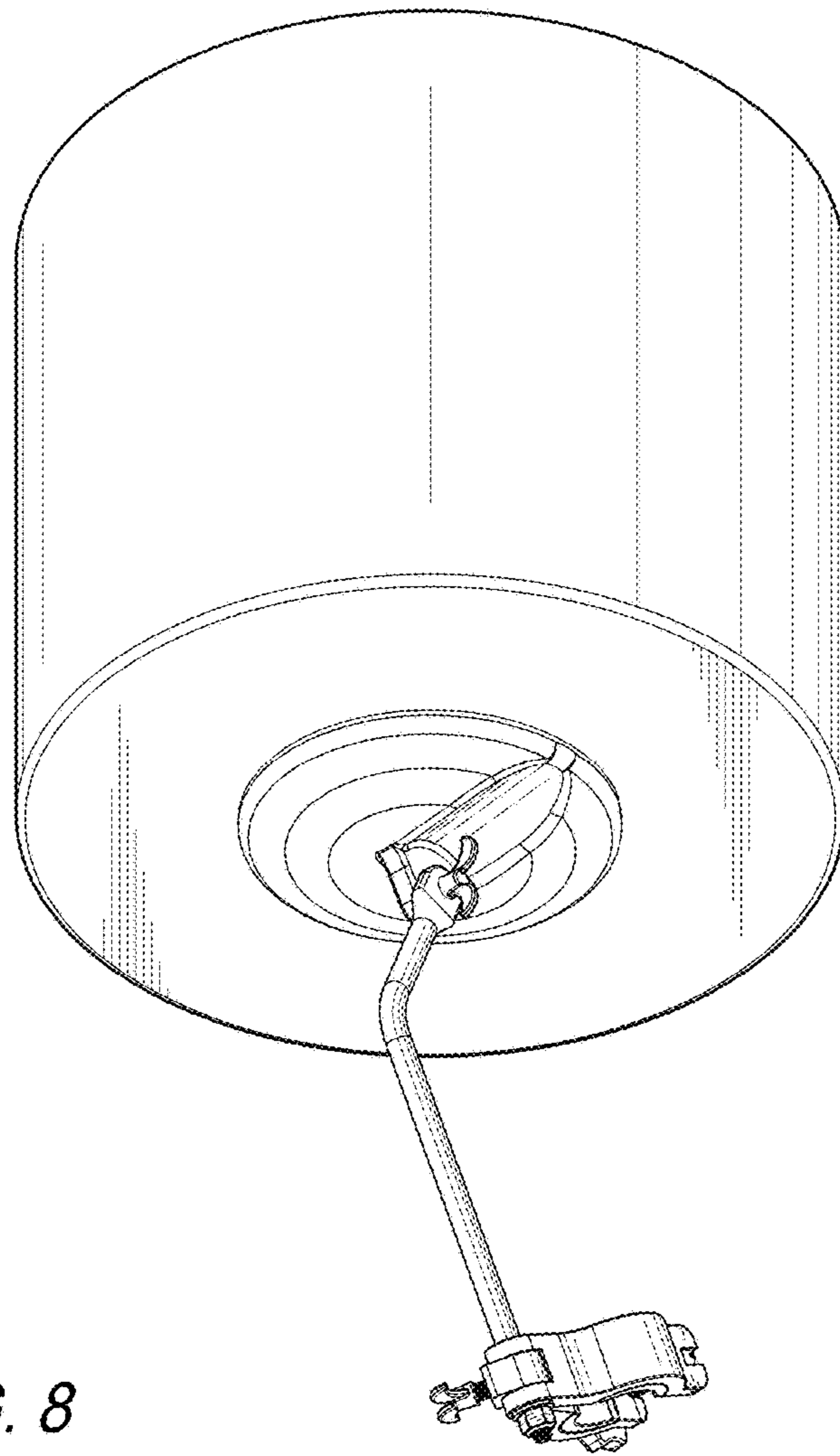


FIG. 8