



US00D852392S

(12) **United States Design Patent**
Chen et al.

(10) **Patent No.:** **US D852,392 S**

(45) **Date of Patent:** **** Jun. 25, 2019**

(54) **VEHICLE TAILLIGHT**

(71) Applicants: **Hsin-Hsi Chen**, Tainan (TW); **Shin-An Chen**, Tainan (TW)

(72) Inventors: **Hsin-Hsi Chen**, Tainan (TW); **Shin-An Chen**, Tainan (TW)

(**) Term: **15 Years**

(21) Appl. No.: **29/647,274**

(22) Filed: **May 11, 2018**

(51) **LOC (11) Cl.** **26-07**

(52) **U.S. Cl.**
USPC **D26/28**

(58) **Field of Classification Search**
USPC D26/28, 29, 30, 31, 32, 33, 34, 35, 36;
362/459-468, 475-478, 485-487
CPC F21S 48/00; F21S 48/10; F21S 48/115;
F21S 48/225; F21S 48/1233; F21S
48/1266; F21S 48/1388; F21S 48/2268;
F21V 21/04
See application file for complete search history.

(56) **References Cited**

U.S. PATENT DOCUMENTS

D442,304 S * 5/2001 Huang D26/28
D556,351 S * 11/2007 Tsai D26/28

D709,221 S * 7/2014 Tsai D26/28
D733,946 S * 7/2015 Chen D26/28
D738,548 S * 9/2015 Chen D26/28
D747,018 S * 1/2016 Hansen D26/28
D774,672 S * 12/2016 Lai D26/28
D774,673 S * 12/2016 Lai D26/28
D788,335 S * 5/2017 Tsai D26/28
D804,066 S * 11/2017 Chen D26/28
D812,256 S * 3/2018 Huntley D26/28
D820,486 S * 6/2018 Shen D26/28

* cited by examiner

Primary Examiner — Angela J Lee

(74) *Attorney, Agent, or Firm* — Rosenberg, Klein & Lee

(57) **CLAIM**

The ornamental design for a vehicle taillight, as shown and described.

DESCRIPTION

FIG. 1 is a perspective view of a vehicle taillight showing my new design;

FIG. 2 is a front elevational view thereof;

FIG. 3 is a rear elevational view thereof;

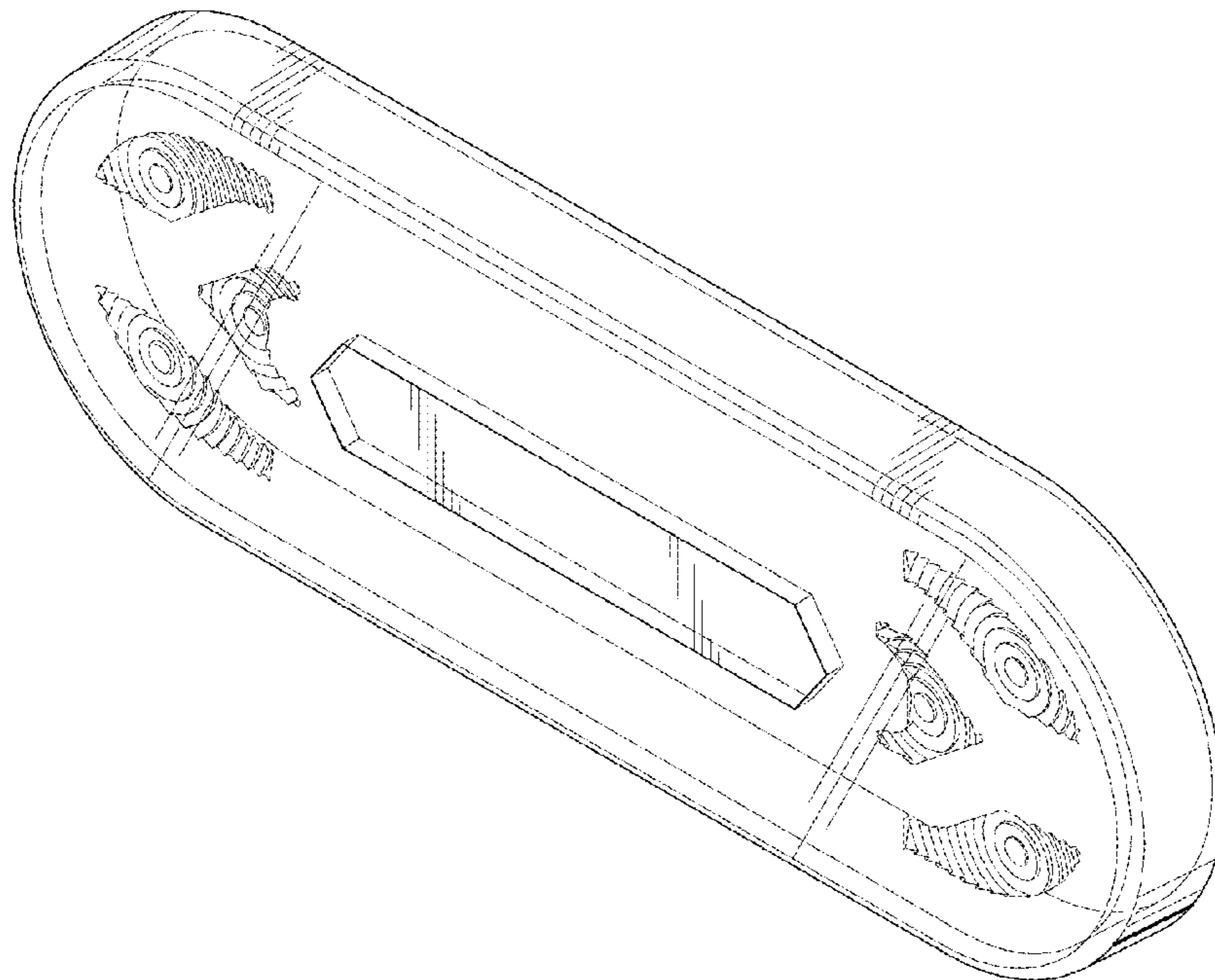
FIG. 4 is a left side elevational view thereof;

FIG. 5 is a right side elevational view thereof;

FIG. 6 is a top plan view thereof; and,

FIG. 7 is a bottom plan view thereof.

1 Claim, 7 Drawing Sheets



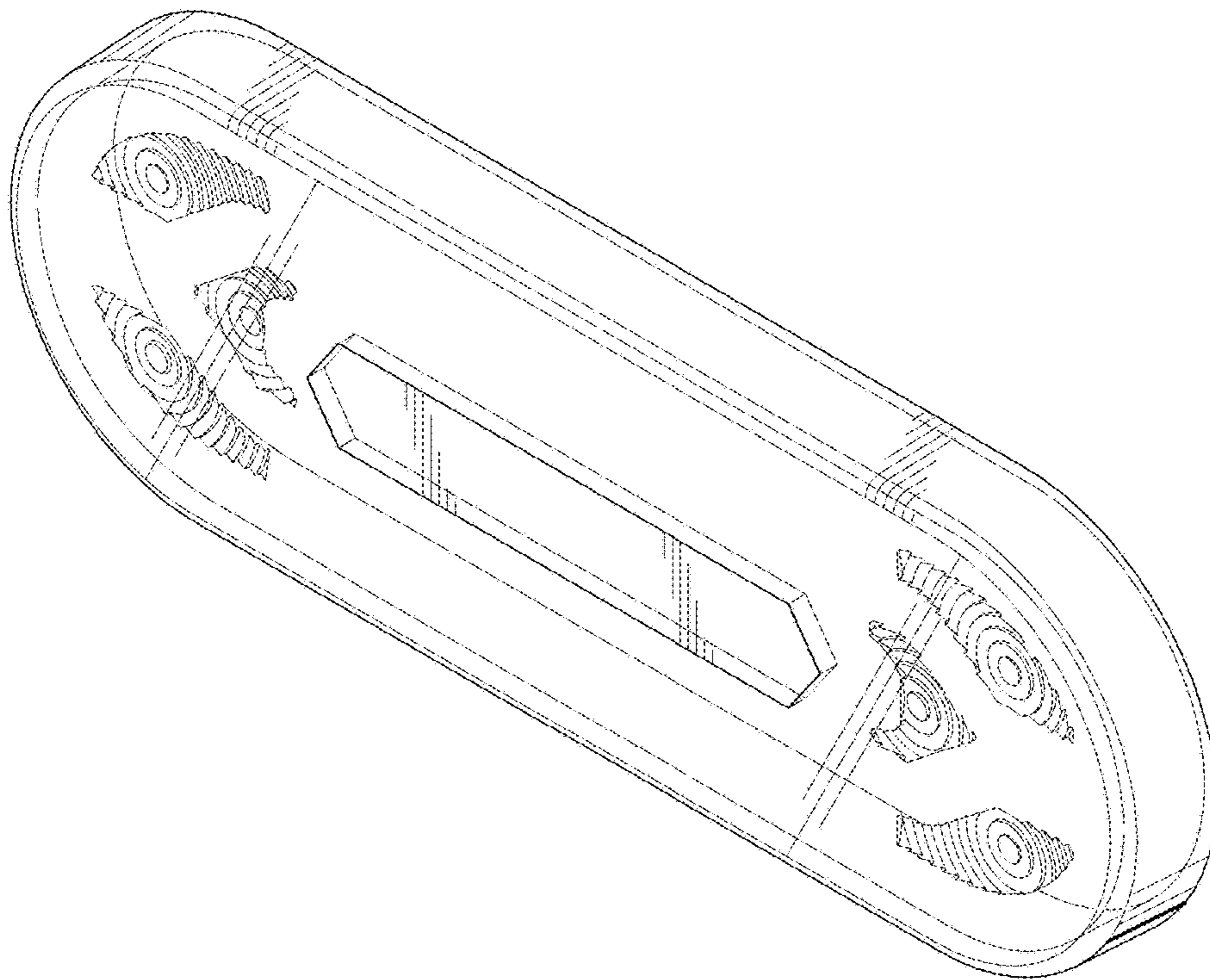


FIG. 1

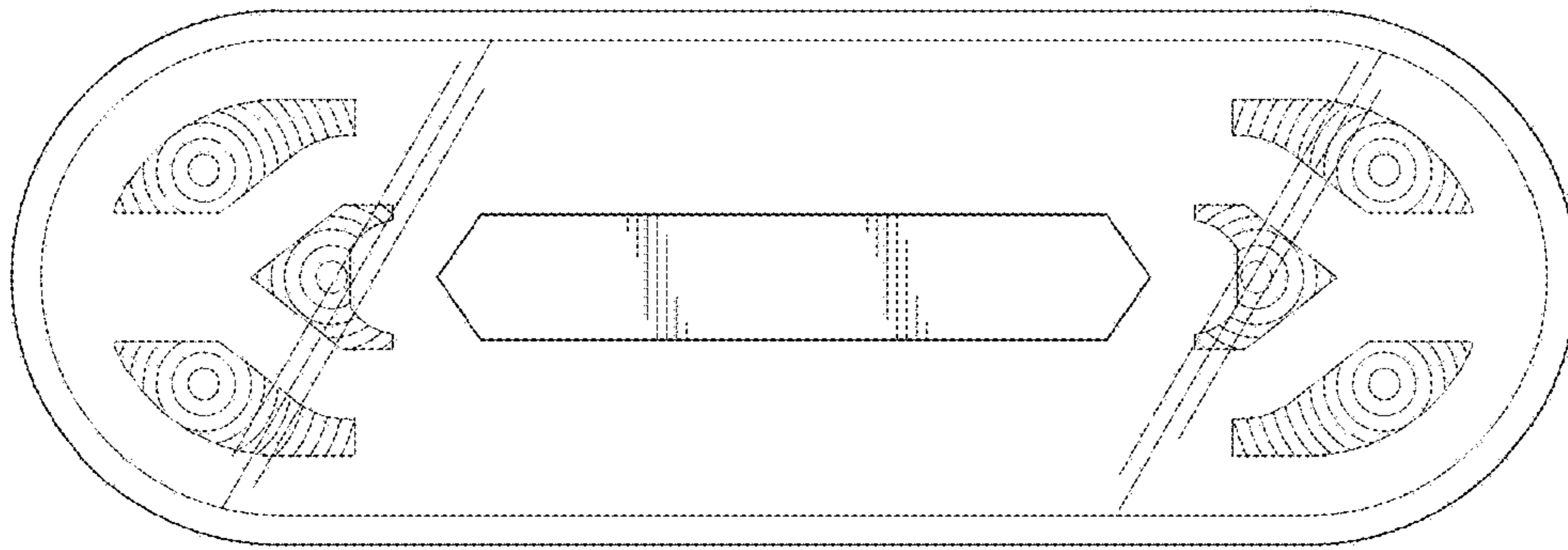


FIG. 2

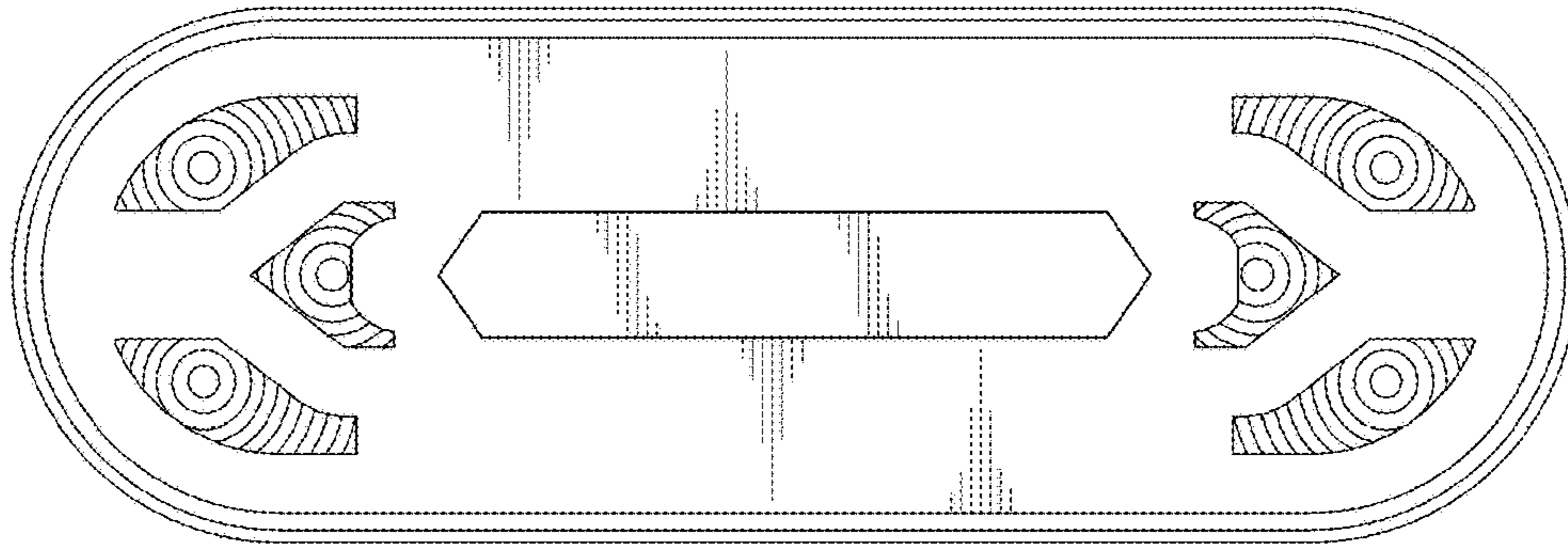


FIG. 3

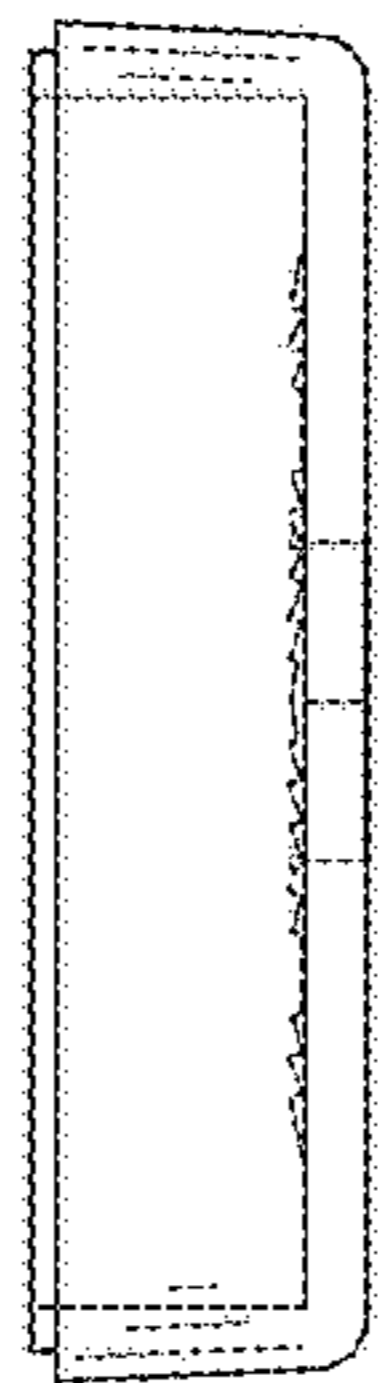


FIG. 4

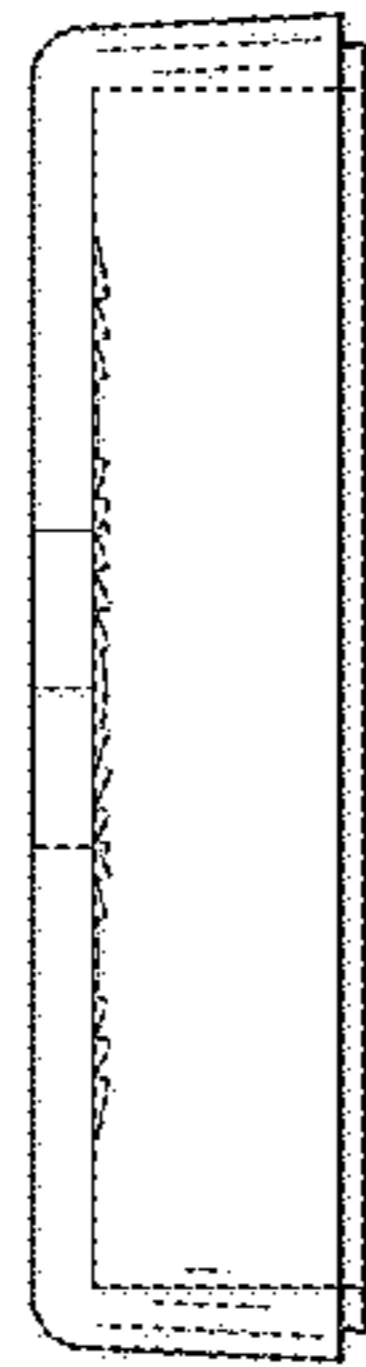


FIG. 5

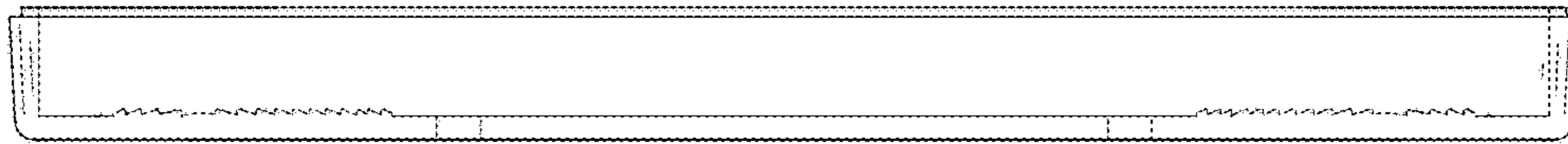


FIG. 6

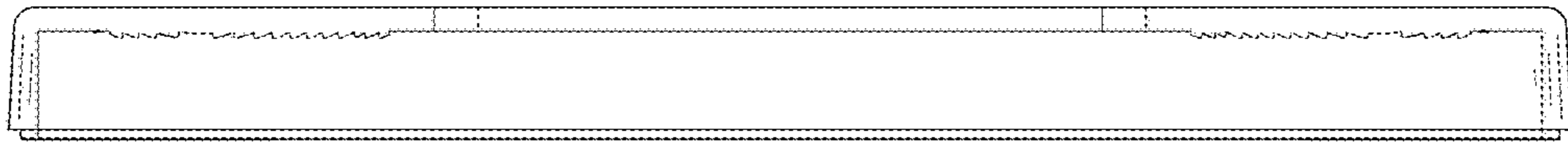


FIG. 7