



US00D852388S

(12) **United States Design Patent**  
**Brandrup**

(10) **Patent No.:** **US D852,388 S**

(45) **Date of Patent:** **\*\* Jun. 25, 2019**

(54) **LIGHT FIXTURE**

(71) Applicant: **Jan Brandrup**, Rancho Santa Fe, CA  
(US)

(72) Inventor: **Jan Brandrup**, Rancho Santa Fe, CA  
(US)

(\*\*) Term: **15 Years**

(21) Appl. No.: **29/628,328**

(22) Filed: **Dec. 4, 2017**

(51) **LOC (11) Cl.** ..... **26-04**

(52) **U.S. Cl.**  
USPC ..... **D26/2**

(58) **Field of Classification Search**  
USPC ..... D26/1-4  
CPC ..... H01R 5/00; H01R 13/46; H01R 13/514;  
H01R 31/048; H01R 31/02; H01J 5/00;  
H01J 5/16; H01J 1/02; H01J 15/00; H01J  
5/48; H01J 5/50; H01J 19/54; F21V 5/00;  
F21V 13/00; F21V 29/004  
See application file for complete search history.

(56) **References Cited**

**U.S. PATENT DOCUMENTS**

D592,766 S \* 5/2009 Zhu ..... D26/2  
D607,587 S \* 1/2010 Ko ..... D26/2

D610,275 S \* 2/2010 Cho ..... D26/2  
D612,956 S \* 3/2010 Moon ..... D26/2  
D613,433 S \* 4/2010 Moon ..... D26/2  
D687,985 S \* 8/2013 Tu ..... D26/2  
D754,887 S \* 4/2016 Huang ..... D26/2

\* cited by examiner

*Primary Examiner* — Marcus A Jackson

(74) *Attorney, Agent, or Firm* — Scott McPherson

(57) **CLAIM**

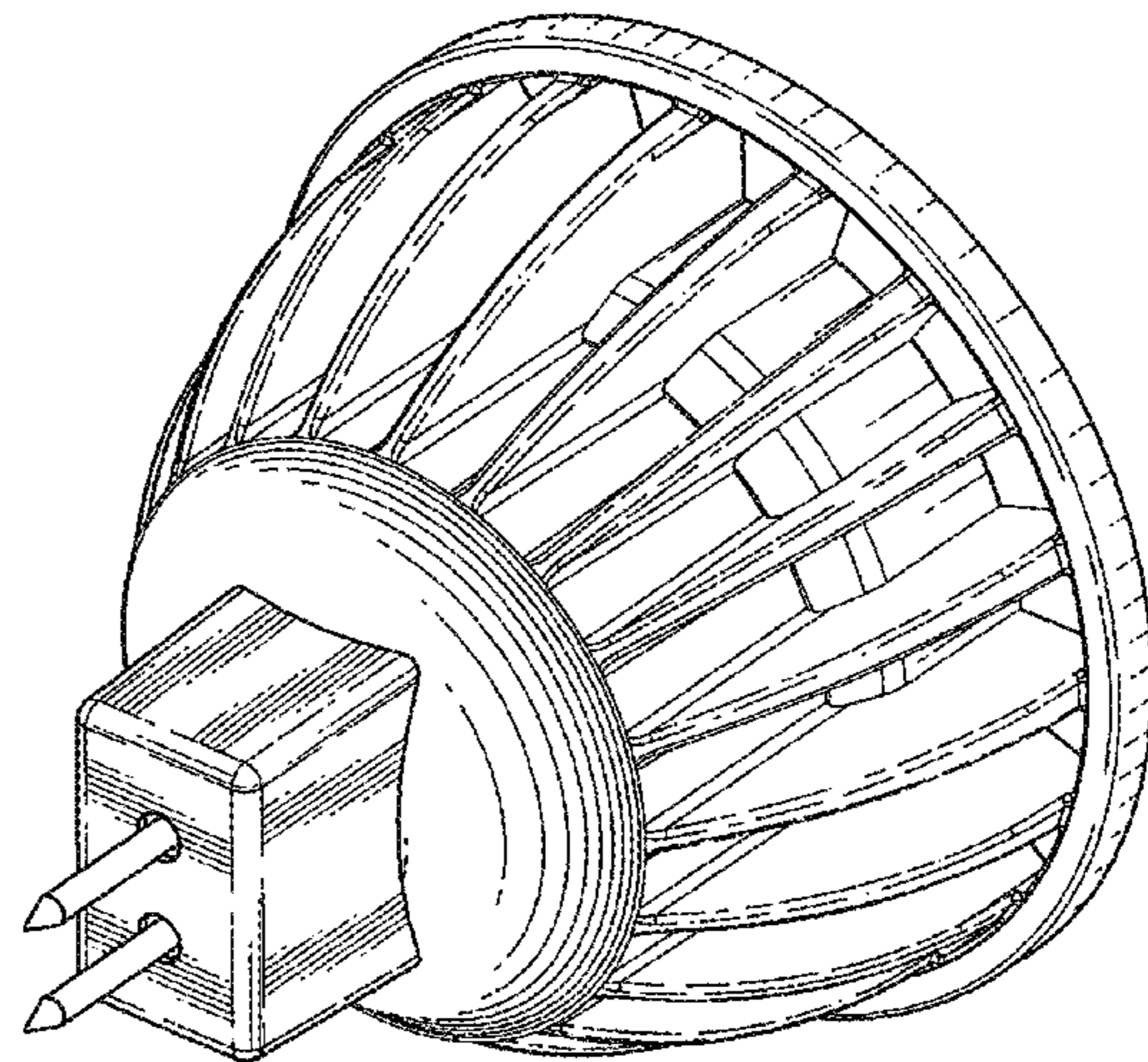
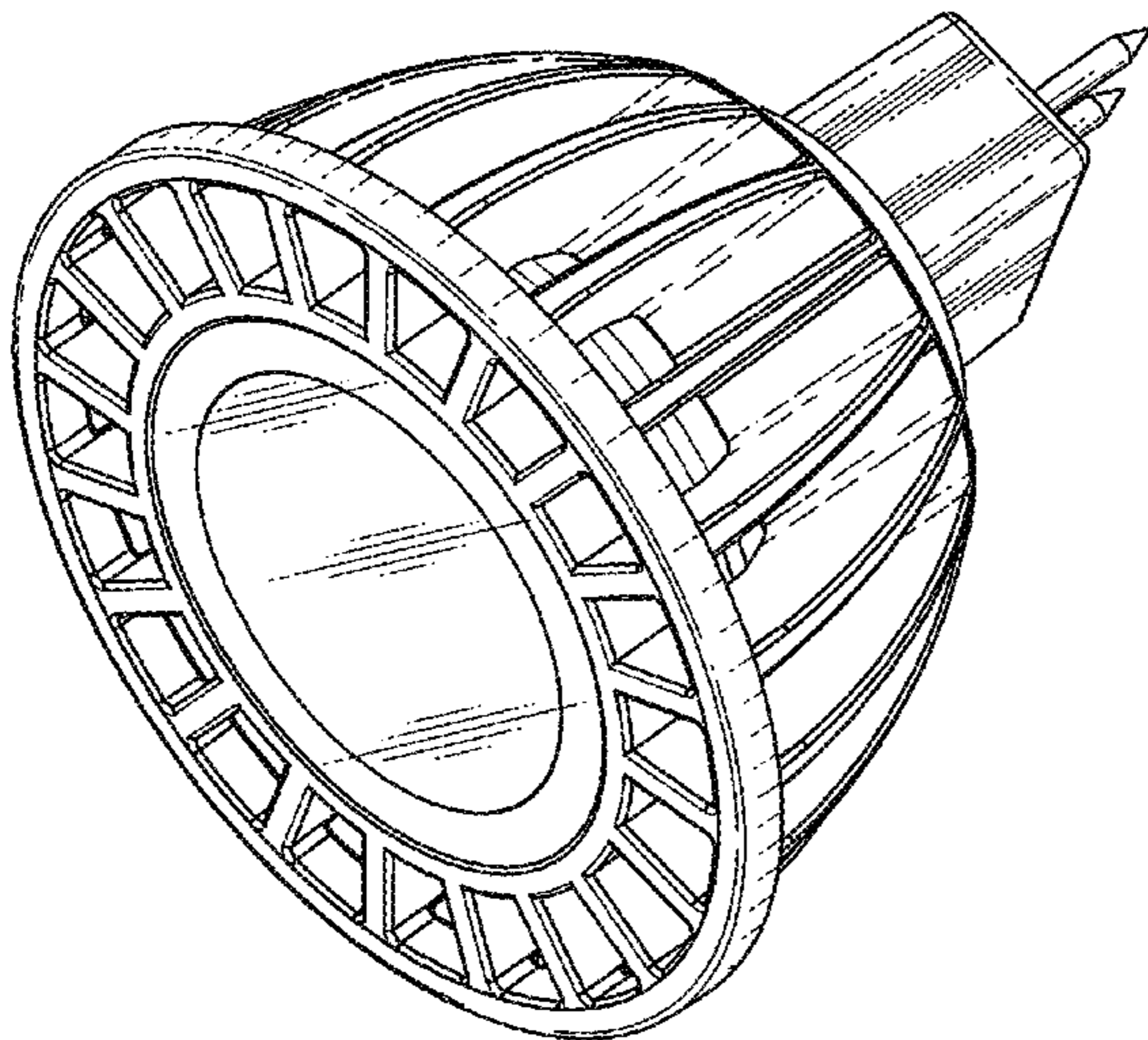
The ornamental design for a light fixture, as shown and described.

**DESCRIPTION**

FIG. 1 is a front and right side perspective view of a light fixture in accordance with my new design;  
FIG. 2 is a back and left side perspective view of a light fixture in accordance with my new design;  
FIG. 3 is a top plan view thereof;  
FIG. 4 is a bottom plan view thereof;  
FIG. 5 is a left side elevational view thereof;  
FIG. 6 is a right side elevational view thereof;  
FIG. 7 is a front elevational view thereof; and,  
FIG. 8 is a rear elevational view thereof.

The broken lines in the figures illustrate portions of the light fixture that form no part of the claimed design.

**1 Claim, 8 Drawing Sheets**



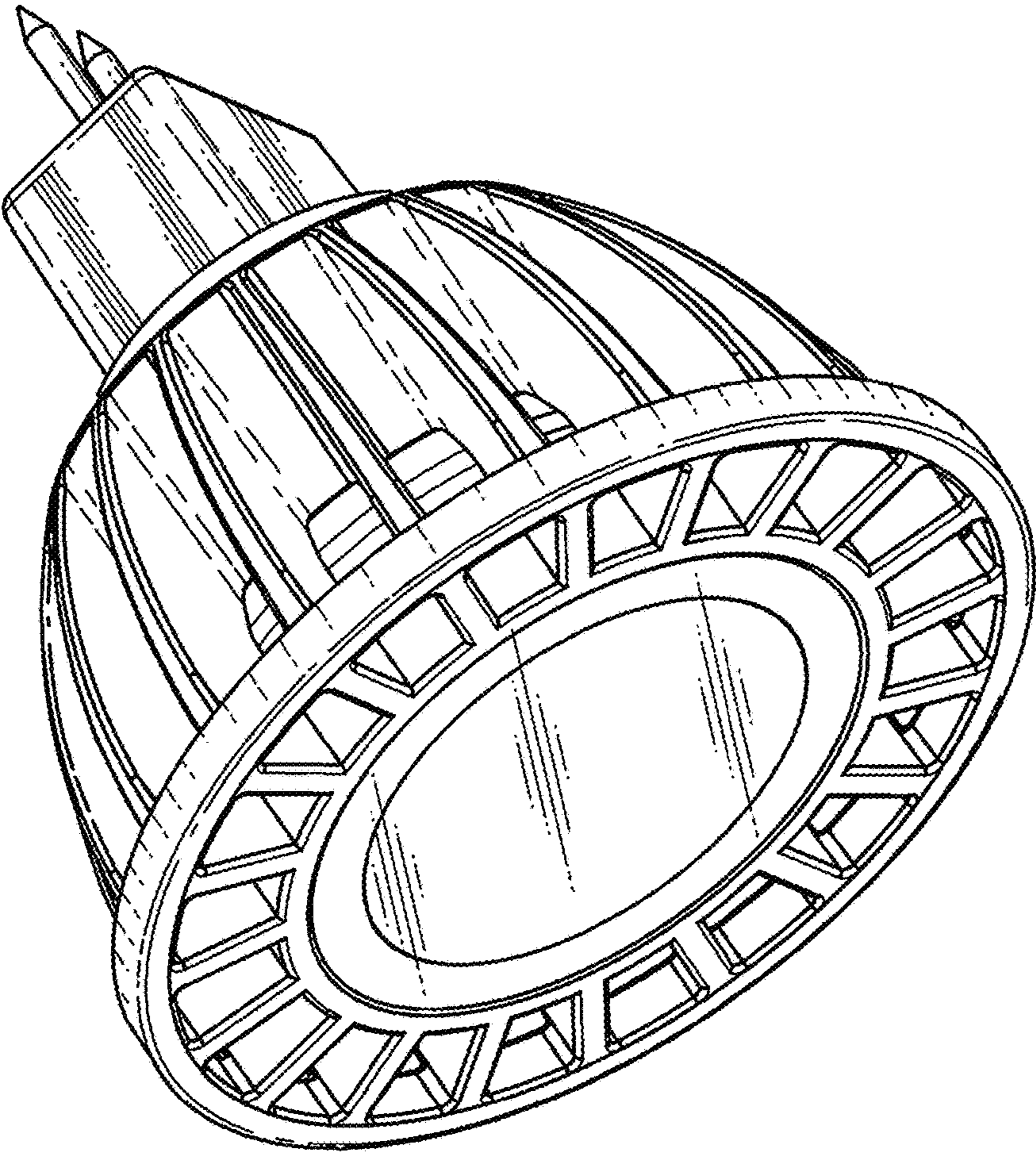


FIG. 1

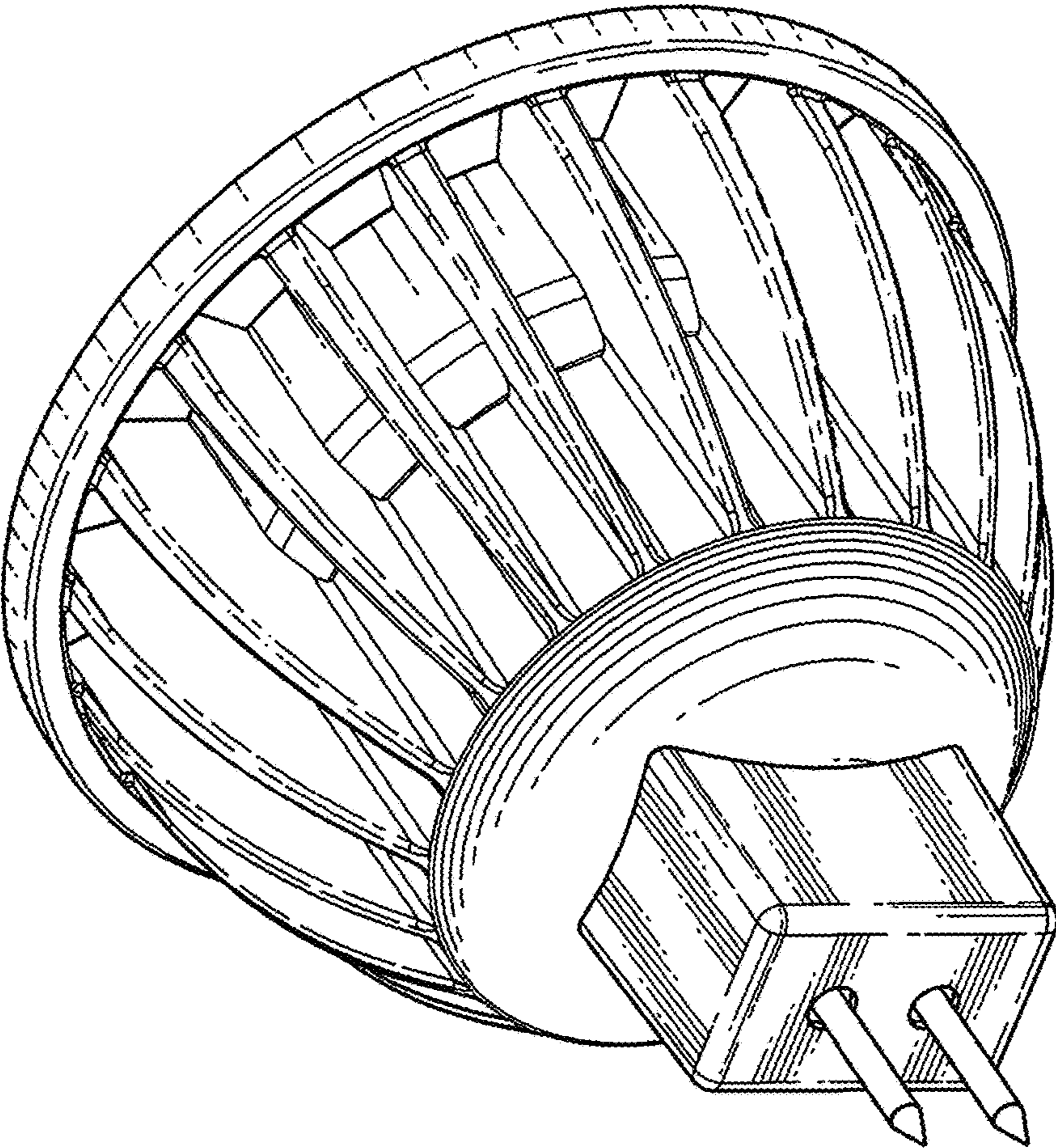


FIG. 2

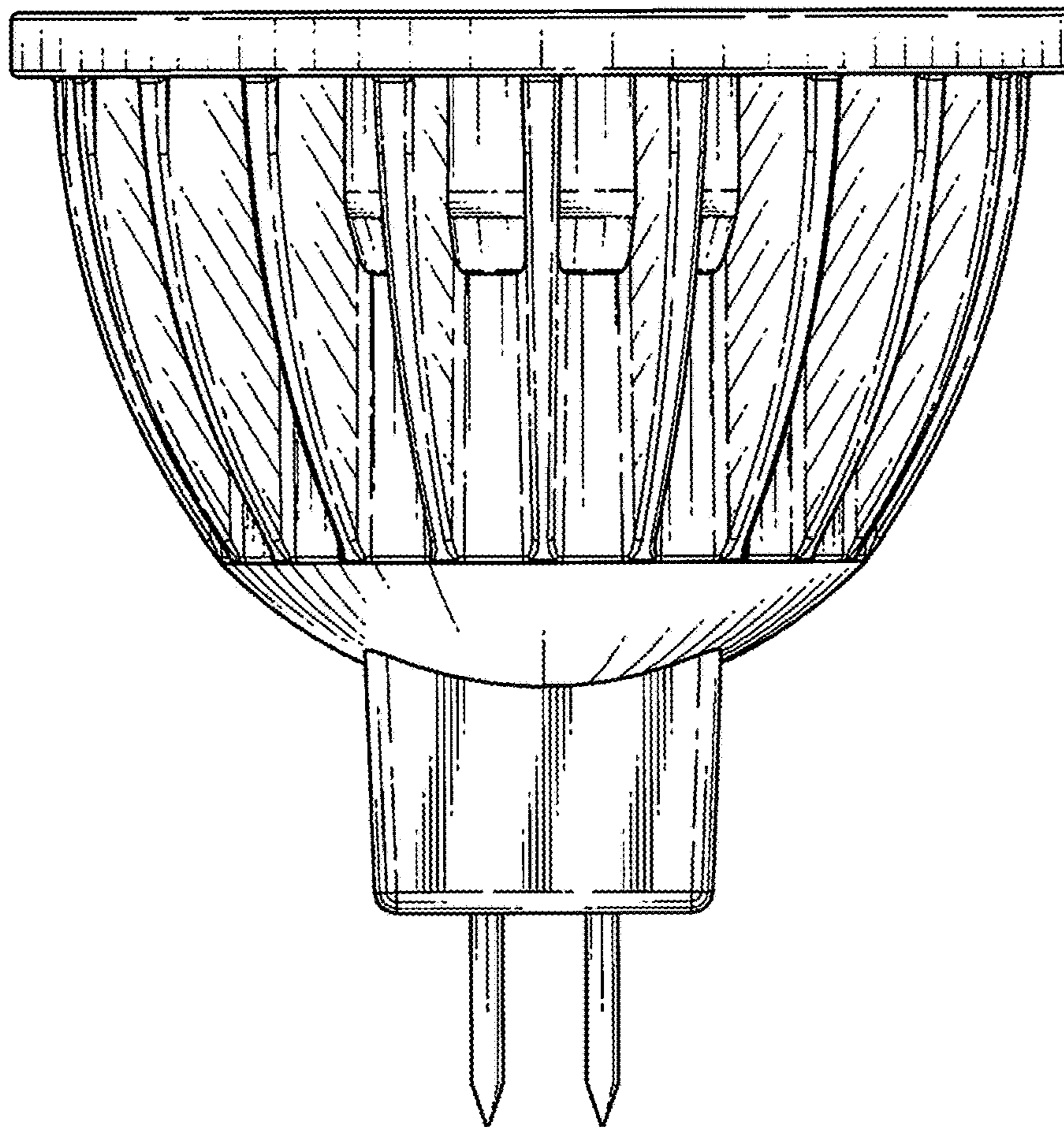


FIG. 3

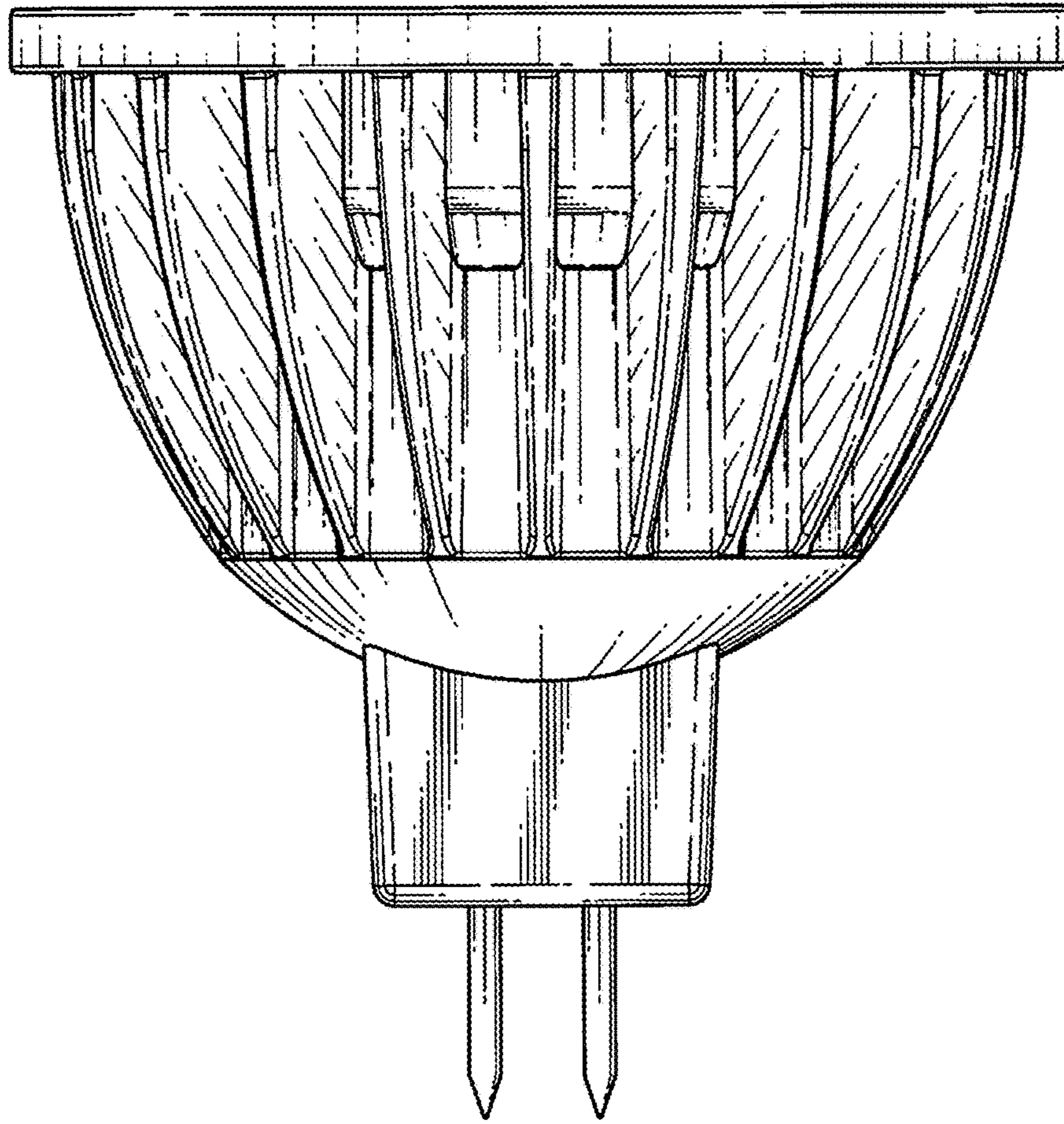


FIG. 4

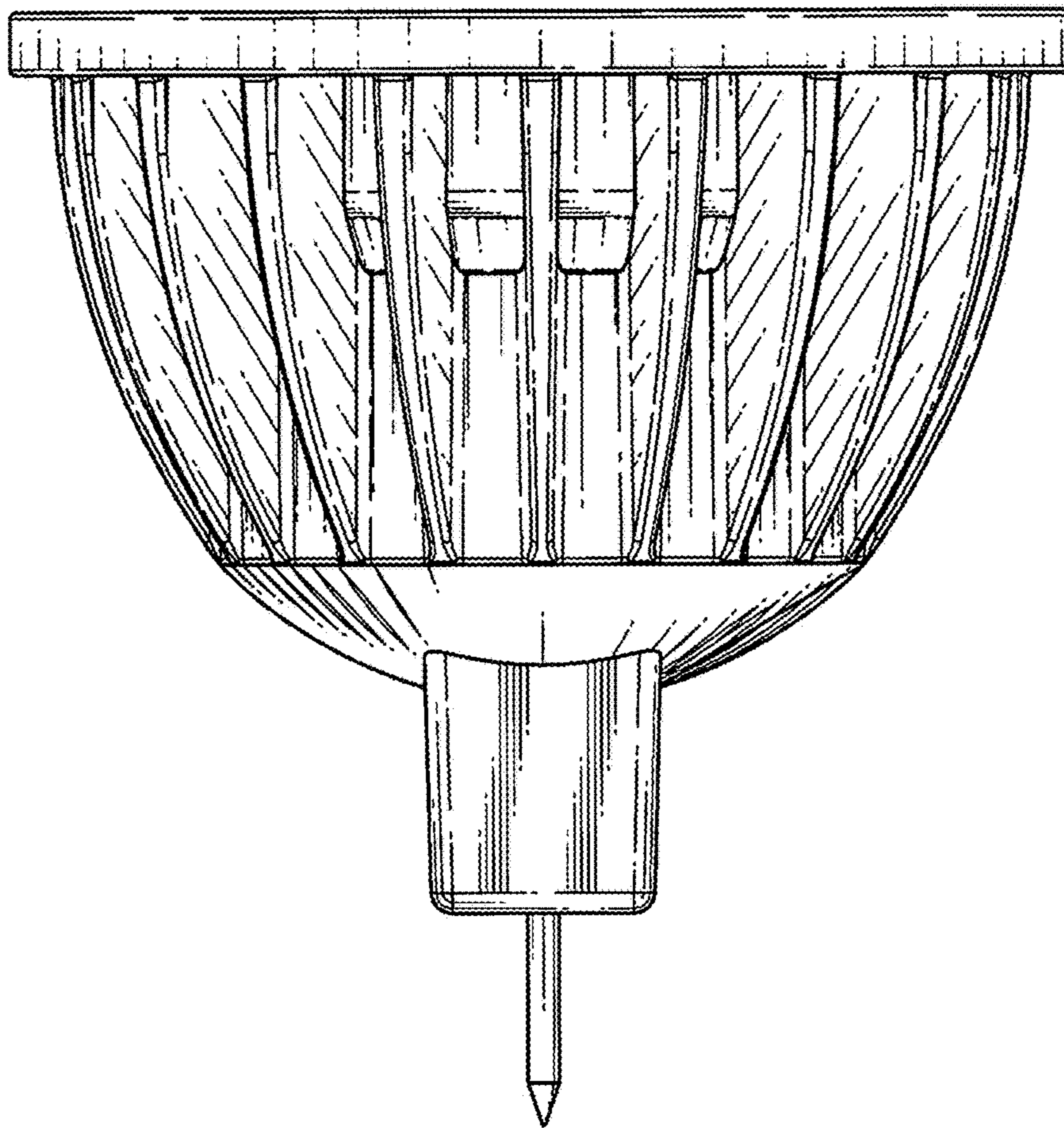


FIG. 5

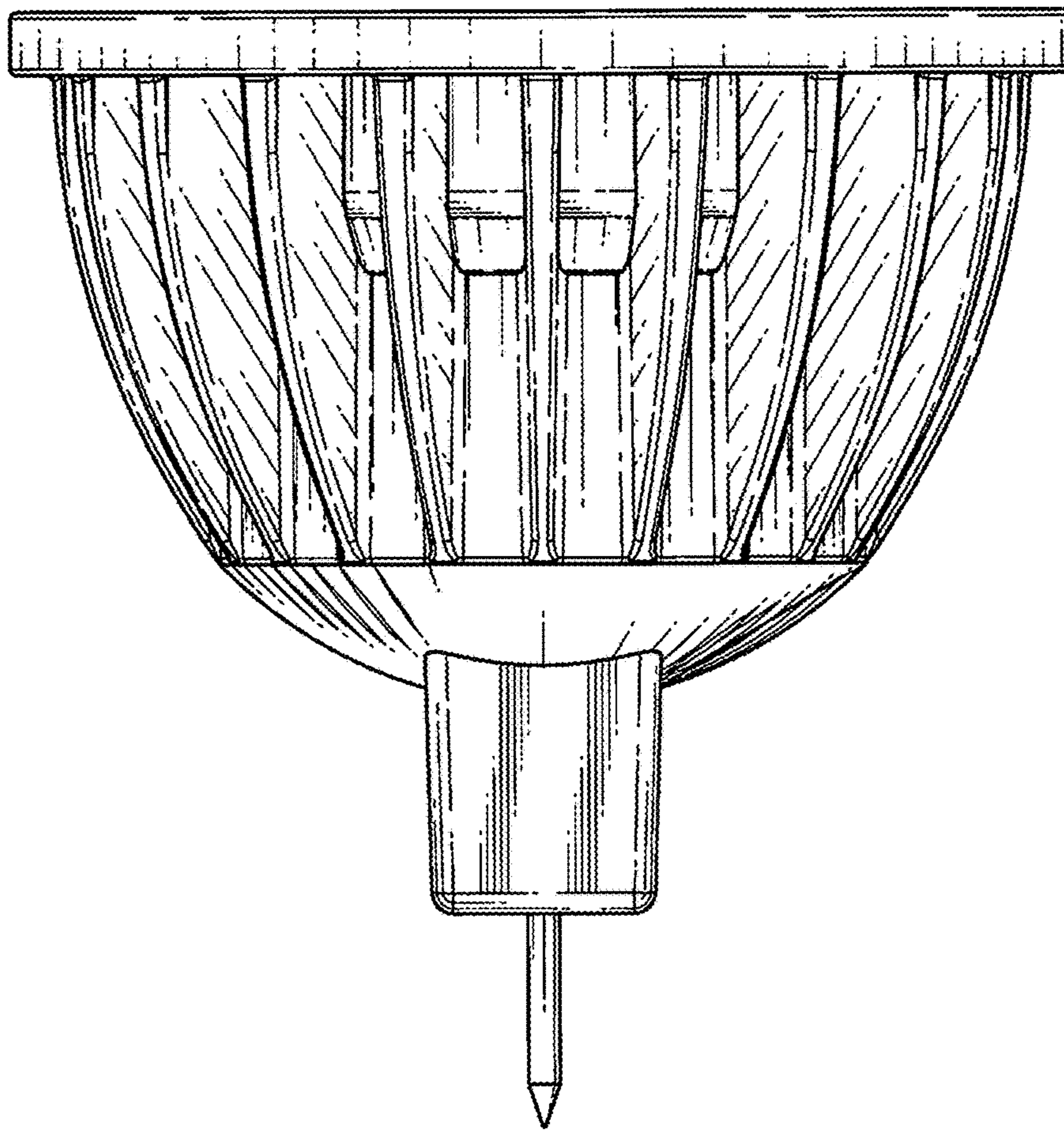


FIG. 6

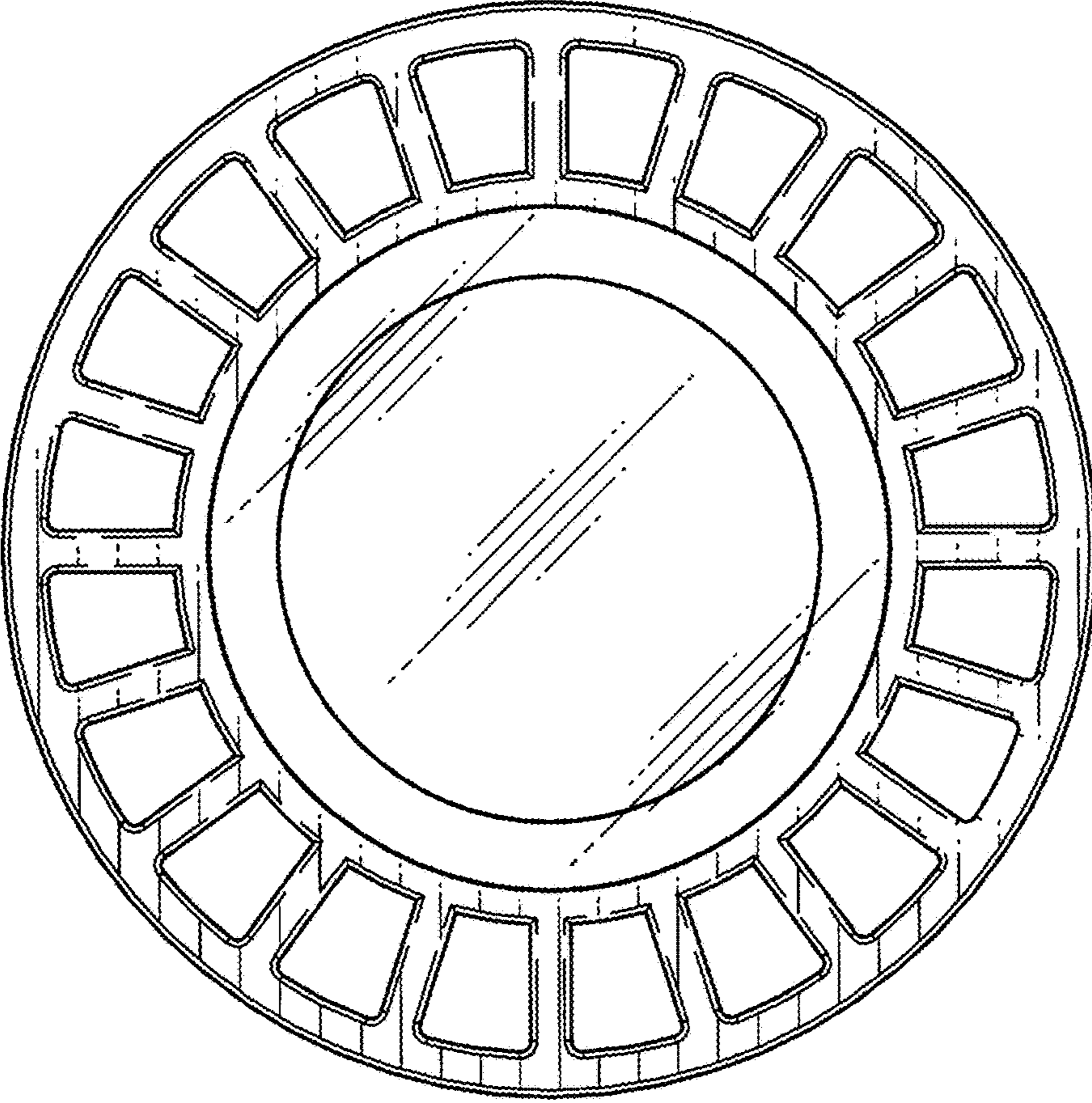


FIG. 7



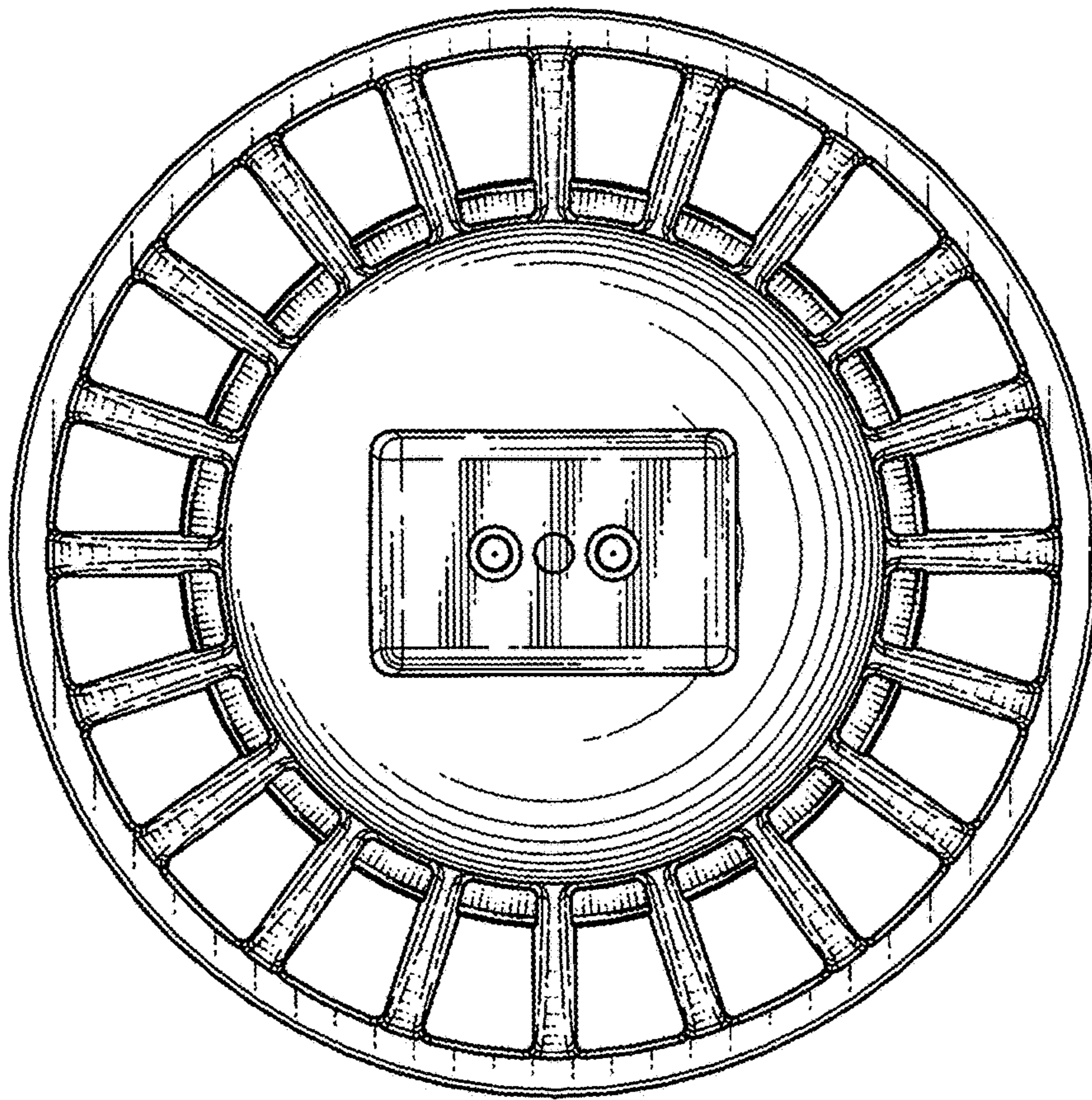


FIG. 8