



US00D852387S

(12) **United States Design Patent**
Zhang et al.

(10) **Patent No.:** **US D852,387 S**
(45) **Date of Patent:** **** Jun. 25, 2019**

(54) **LAMP**

(71) Applicants: **Tian-Yong Zhang**, Xiamen (CN);
Fu-Sheng Liang, Xiamen (CN)

(72) Inventors: **Tian-Yong Zhang**, Xiamen (CN);
Fu-Sheng Liang, Xiamen (CN)

(73) Assignee: **Xiamen Konshine Lighting Co., Ltd.**,
Xiamen, Fujian

(**) Term: **15 Years**

(21) Appl. No.: **29/615,753**

(22) Filed: **Aug. 31, 2017**

(51) **LOC (11) Cl.** **26-04**

(52) **U.S. Cl.**
USPC **D26/2**

(58) **Field of Classification Search**
USPC D26/1-4
CPC H01R 5/00; H01R 13/46; H01R 13/514;
H01R 31/048; H01R 31/02; H01J 5/00;
H01J 5/16; H01J 1/02; H01J 15/00; H01J
5/48; H01J 5/50; H01J 19/54; F21V 5/00;
F21V 13/00; F21V 29/004

See application file for complete search history.

(56) **References Cited**

U.S. PATENT DOCUMENTS

D508,575 S *	8/2005	Buschmann	D26/2
D528,227 S *	9/2006	Chou	D26/2
D531,741 S *	11/2006	Takahashi	D26/2
D538,953 S *	3/2007	Mama	D26/2
D651,327 S *	12/2011	Hsiao	D26/2

* cited by examiner

Primary Examiner — Marcus A Jackson

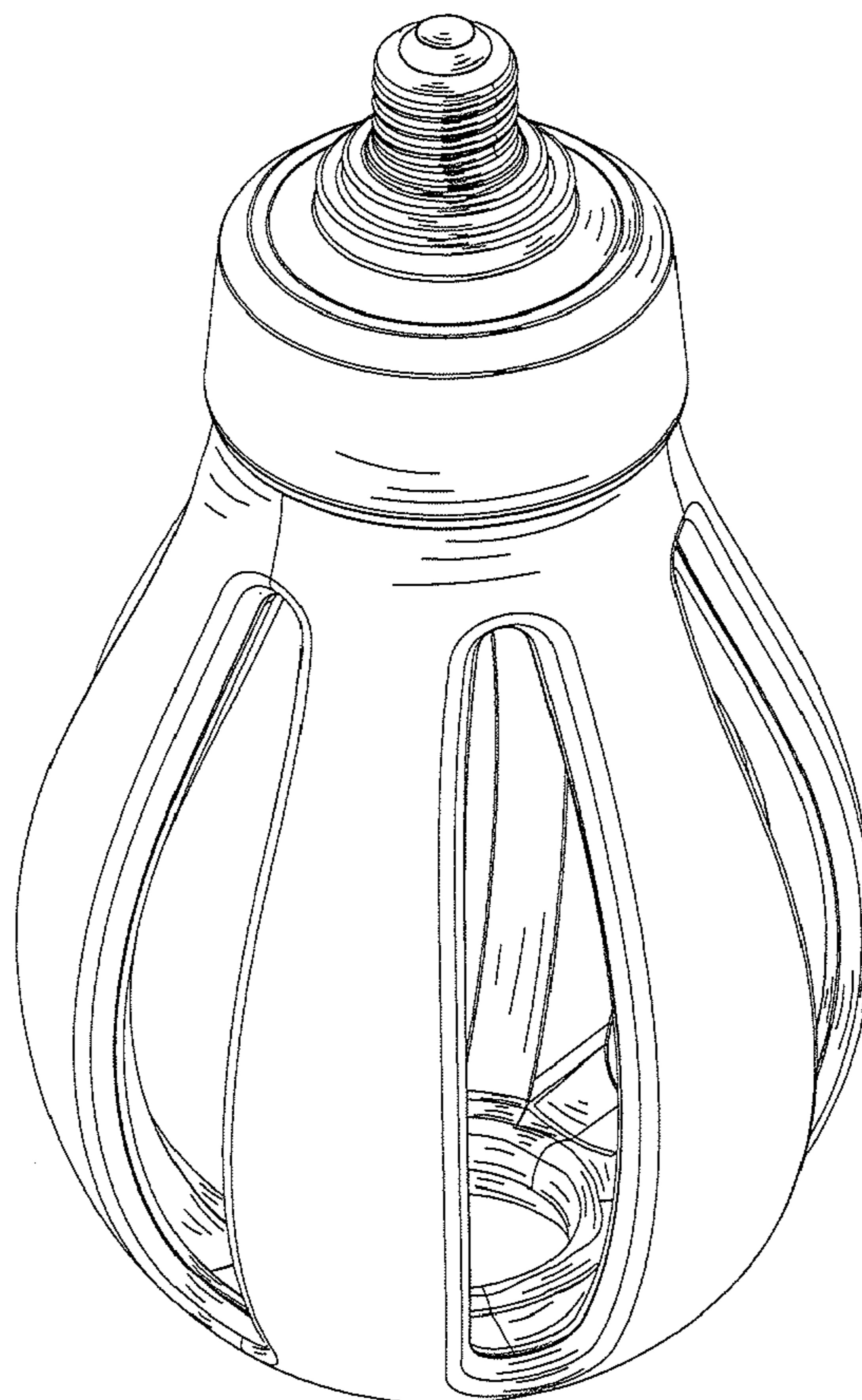
(57) **CLAIM**

The ornamental design for a lamp, as shown and described.

DESCRIPTION

FIG. 1 is a perspective view of the lamp showing my new design;
FIG. 2 is a front elevation view thereof;
FIG. 3 is a rear elevation view thereof;
FIG. 4 is a left side elevation view thereof;
FIG. 5 is a right side elevation view thereof;
FIG. 6 is a top plan view thereof; and,
FIG. 7 is a bottom plan view thereof.

1 Claim, 4 Drawing Sheets



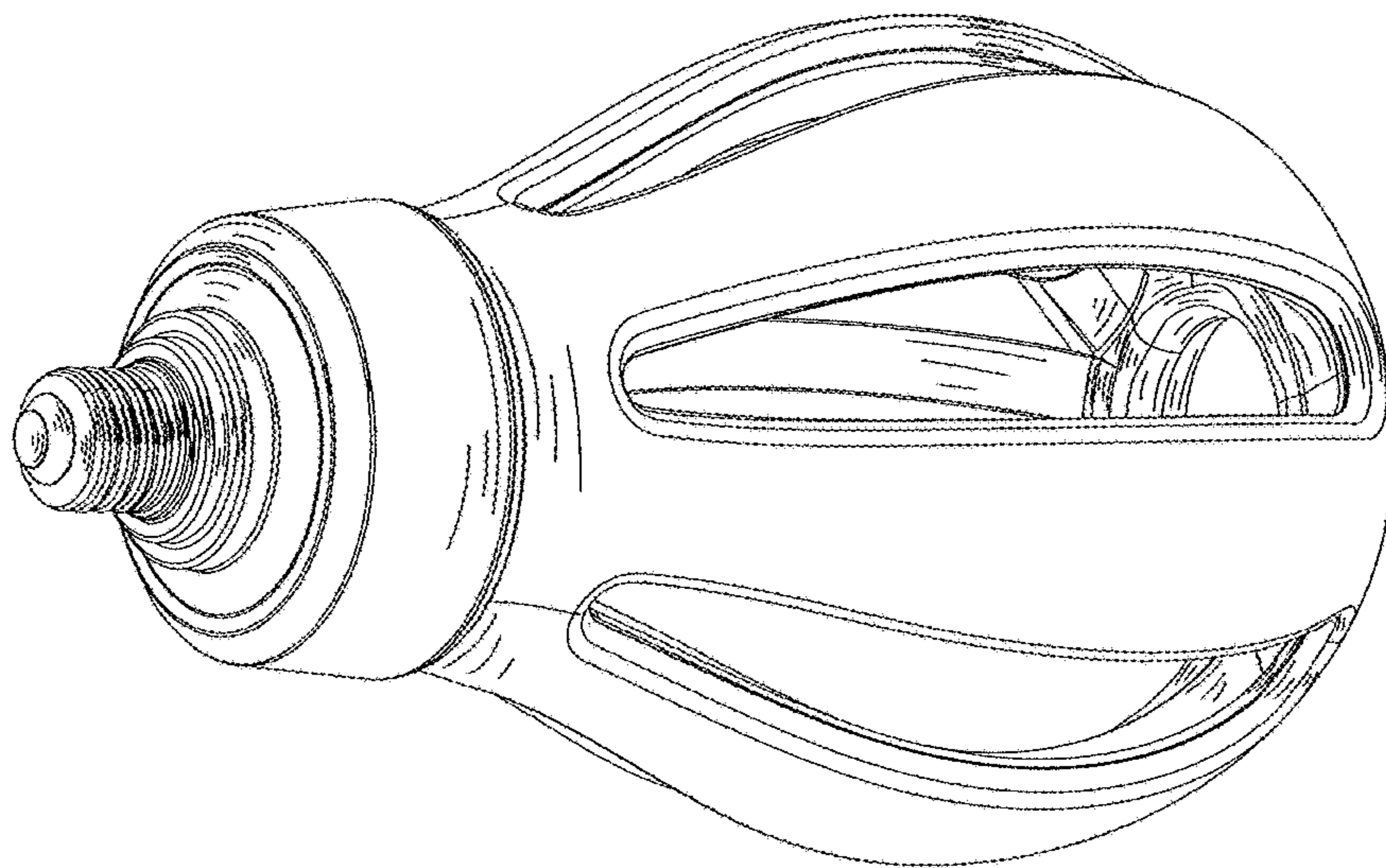


FIG.1

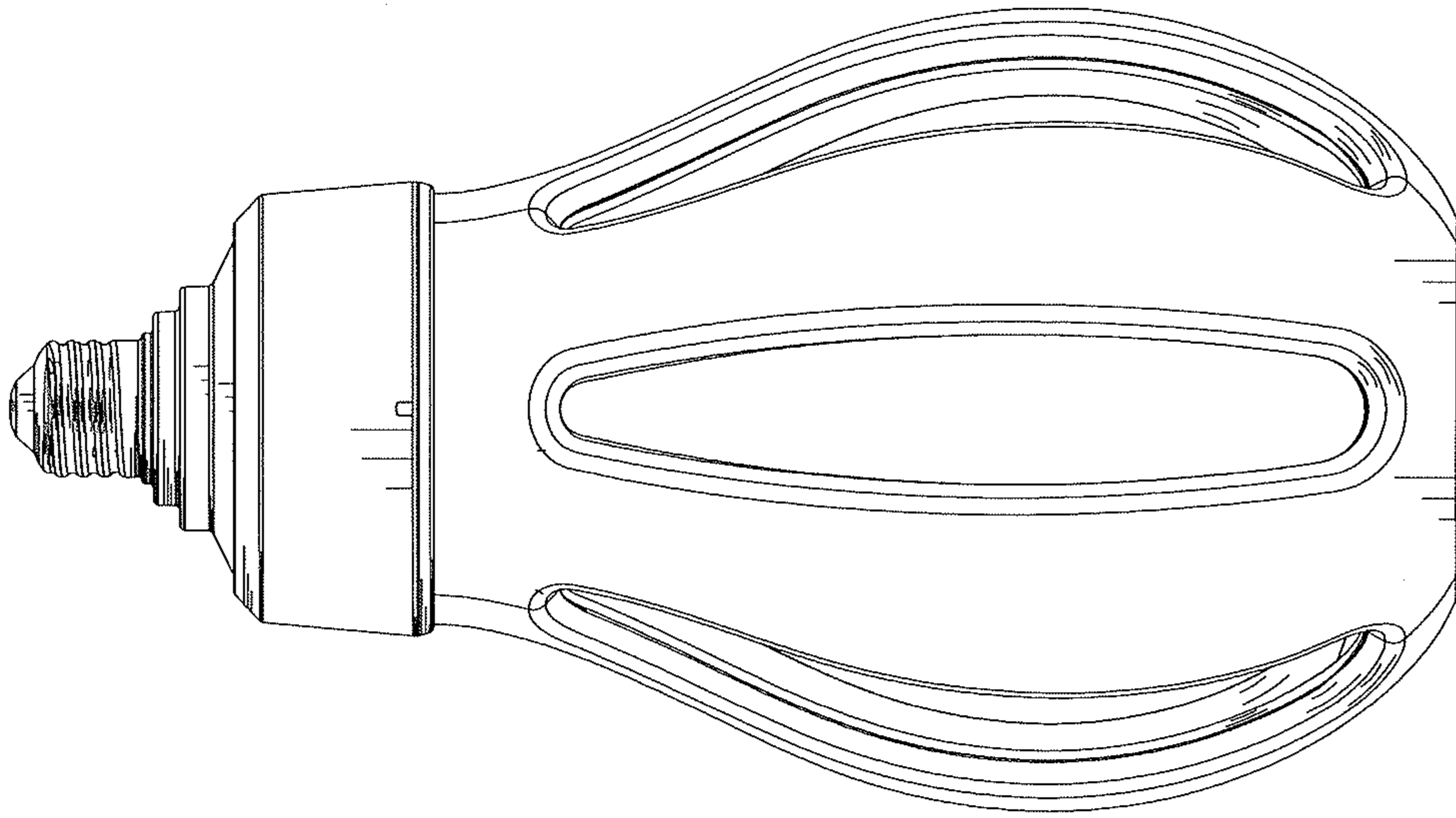


FIG.3

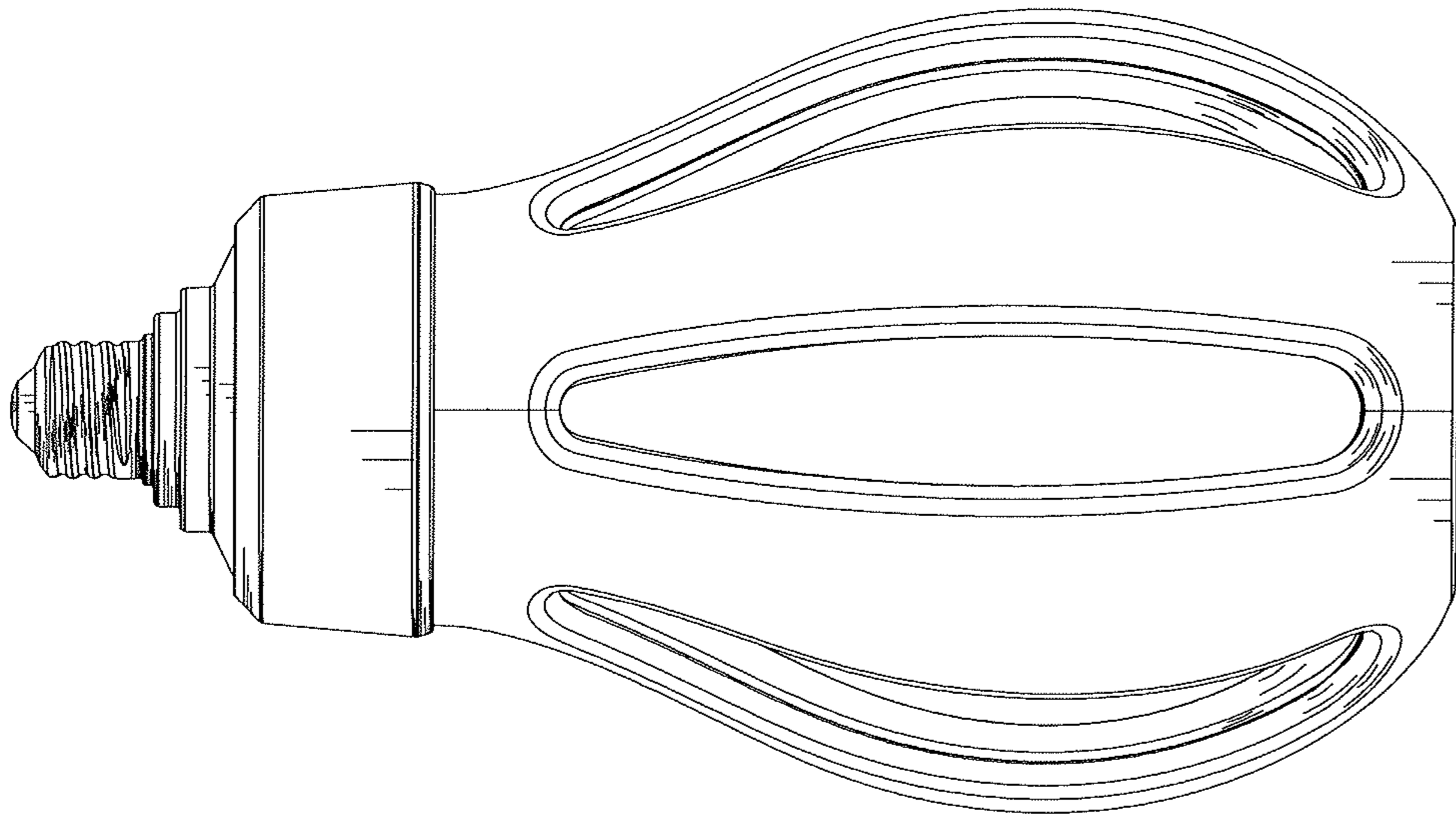


FIG.2

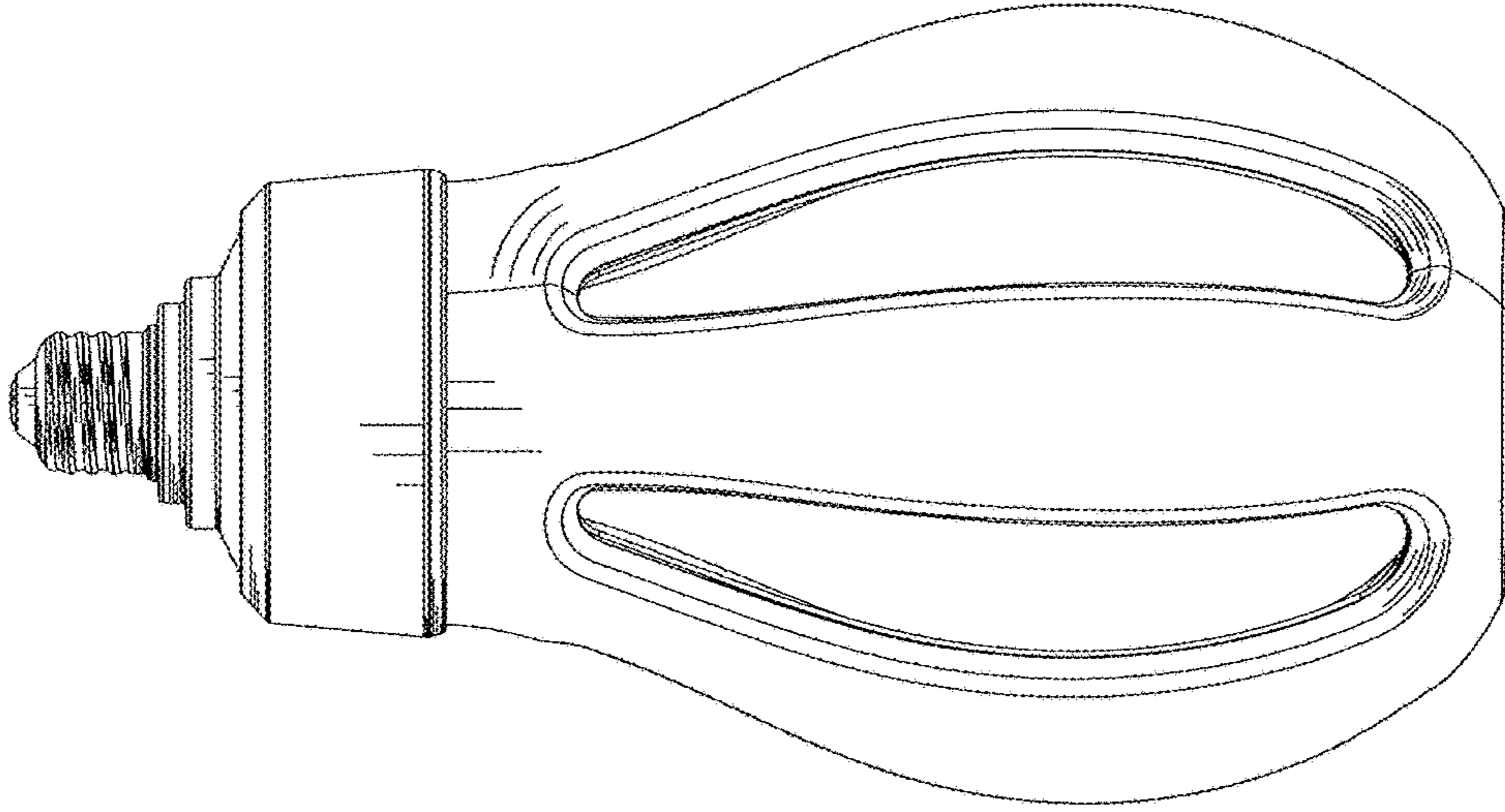


FIG.5

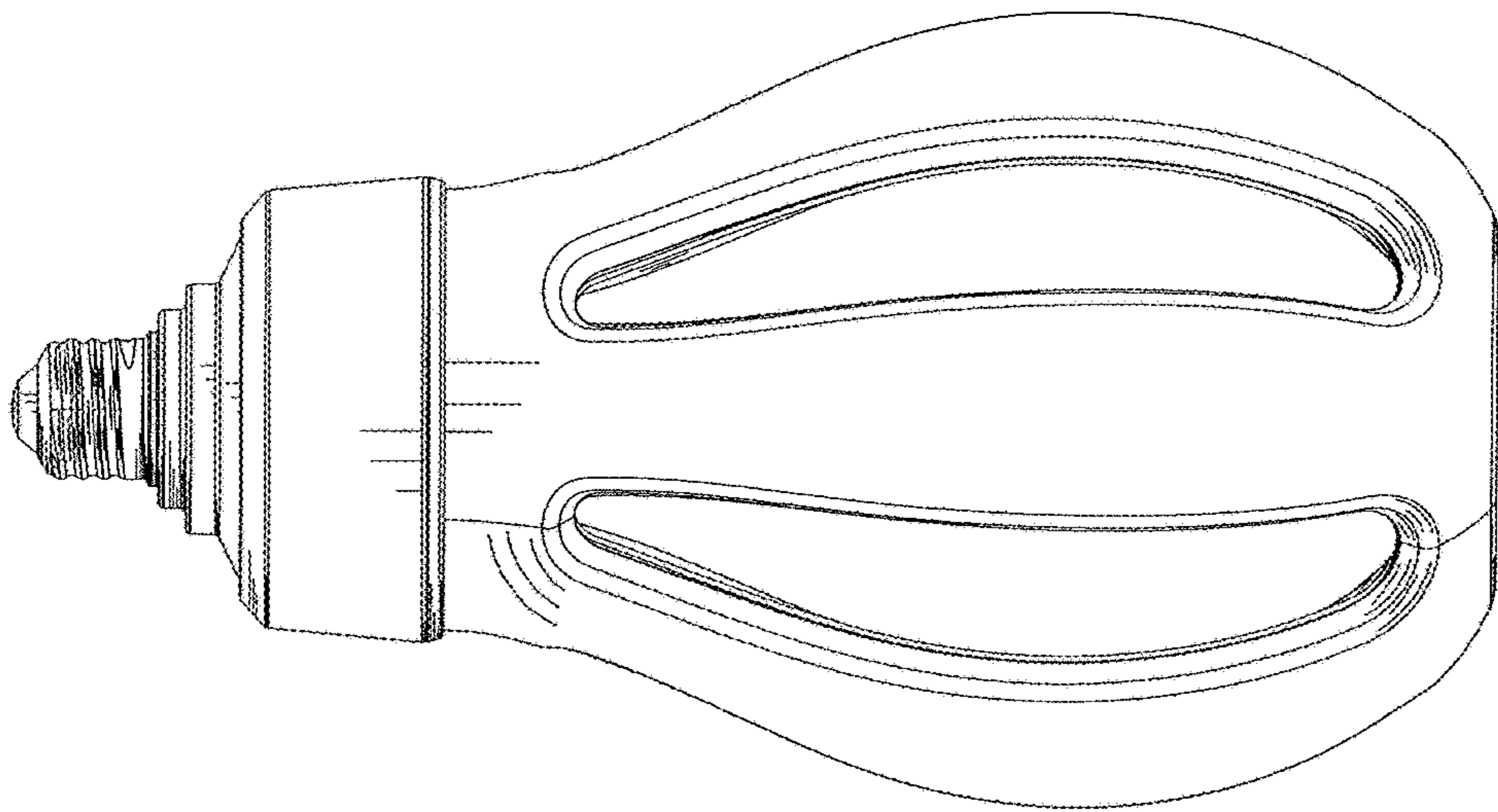


FIG.4

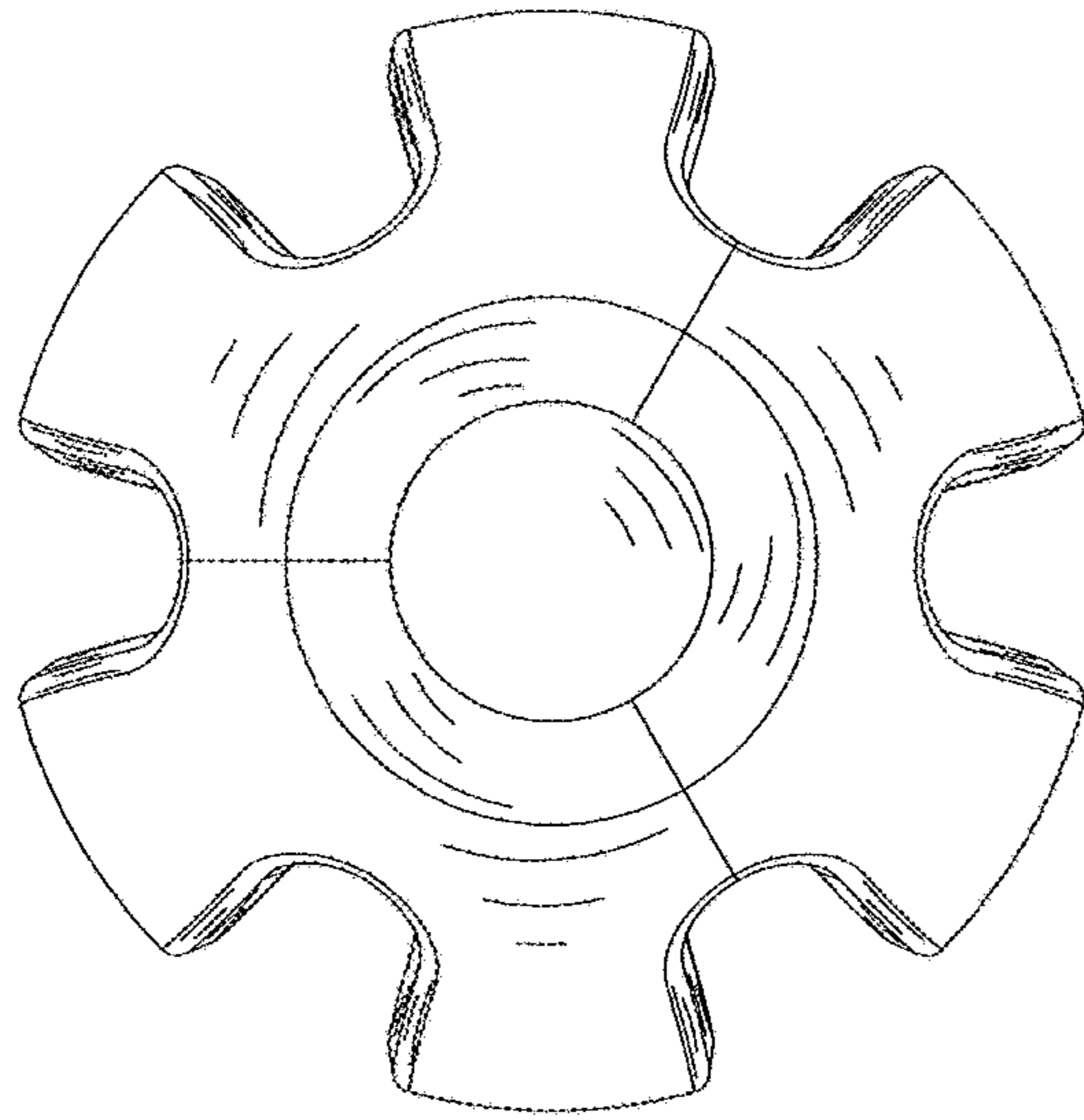


FIG.7

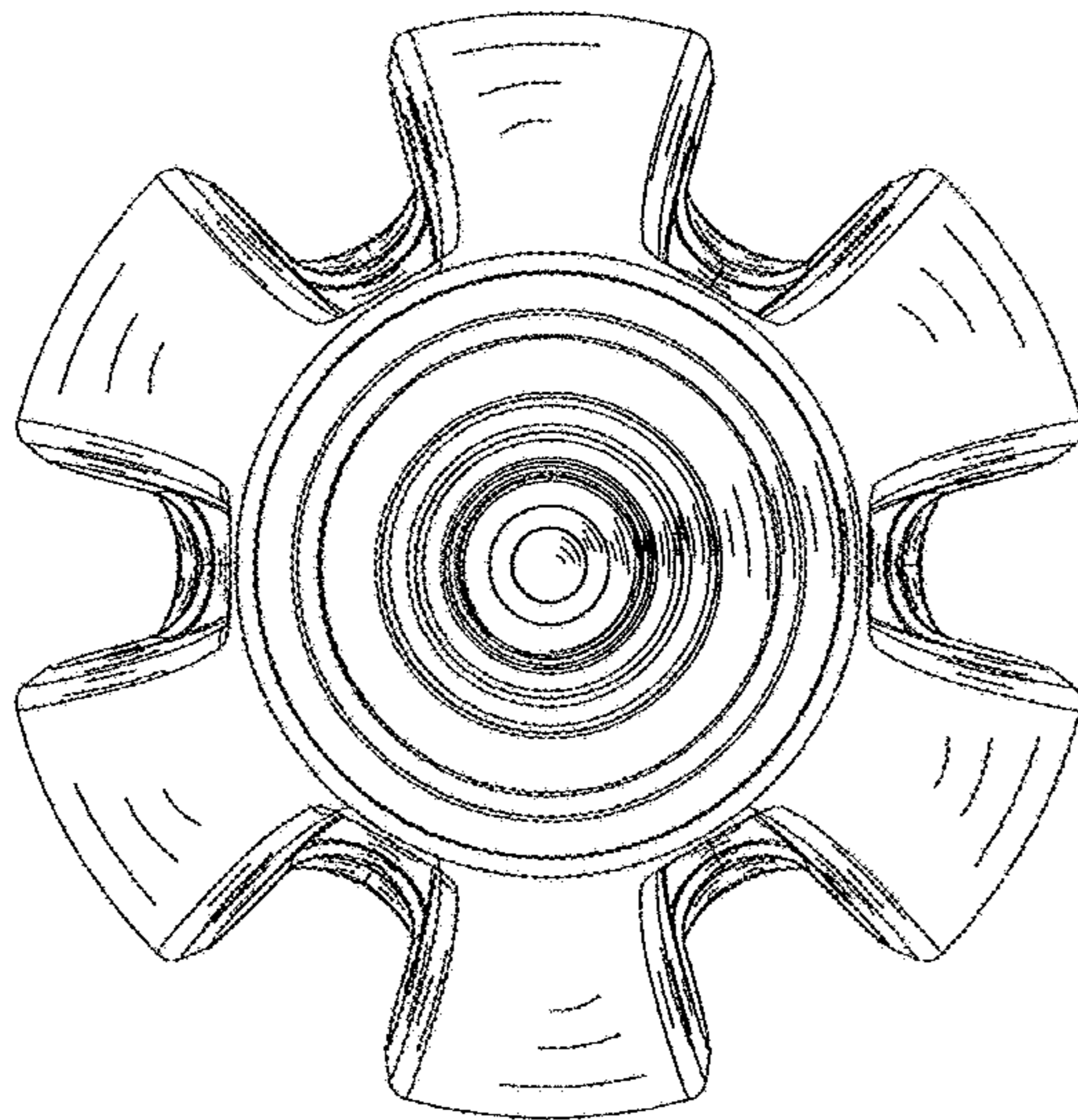


FIG.6