



US00D852386S

(12) **United States Design Patent**
Alexander et al.

(10) **Patent No.:** **US D852,386 S**
(45) **Date of Patent:** **** Jun. 25, 2019**

(54) **LIGHTBULB**

(71) Applicant: **LIFI Labs, Inc.**, San Francisco, CA
(US)

(72) Inventors: **Marc Alexander**, San Francisco, CA
(US); **John Cameron**, San Francisco,
CA (US)

(73) Assignee: **LIFI Labs, Inc.**, San Francisco, CA
(US)

(**) Term: **15 Years**

(21) Appl. No.: **29/613,864**

(22) Filed: **Aug. 14, 2017**

(51) **LOC (11) Cl.** **26-04**

(52) **U.S. Cl.**
USPC **D26/2**

(58) **Field of Classification Search**
USPC D26/1-4
CPC H01R 5/00; H01R 13/46; H01R 13/514;
H01R 31/048; H01R 31/02; H01J 5/00;
H01J 5/16; H01J 1/02; H01J 15/00; H01J
5/48; H01J 5/50; H01J 19/54; F21V 5/00;
F21V 13/00; F21V 29/004
See application file for complete search history.

(56) **References Cited**

U.S. PATENT DOCUMENTS

D433,167 S	10/2000	Yim	
D463,584 S	9/2002	Yim	
D531,741 S	* 11/2006	Takahashi	D26/2
D535,038 S	1/2007	Egawa et al.	
D553,267 S	* 10/2007	Yuen	D26/2

D586,928 S	* 2/2009	Liu	D26/2
D590,523 S	* 4/2009	Takahashi	D26/2
D600,368 S	* 9/2009	Bertram	D26/2
D601,278 S	9/2009	Takahashi	
D605,786 S	12/2009	Lim	
D616,120 S	5/2010	Wada et al.	
D616,574 S	* 5/2010	Chen	D26/2
D623,774 S	9/2010	Tsai	
D646,809 S	10/2011	Shi	
D688,395 S	8/2013	Bukkems et al.	

* cited by examiner

Primary Examiner — Marcus A Jackson

(74) *Attorney, Agent, or Firm* — Jeffrey Schox; Diana Lin

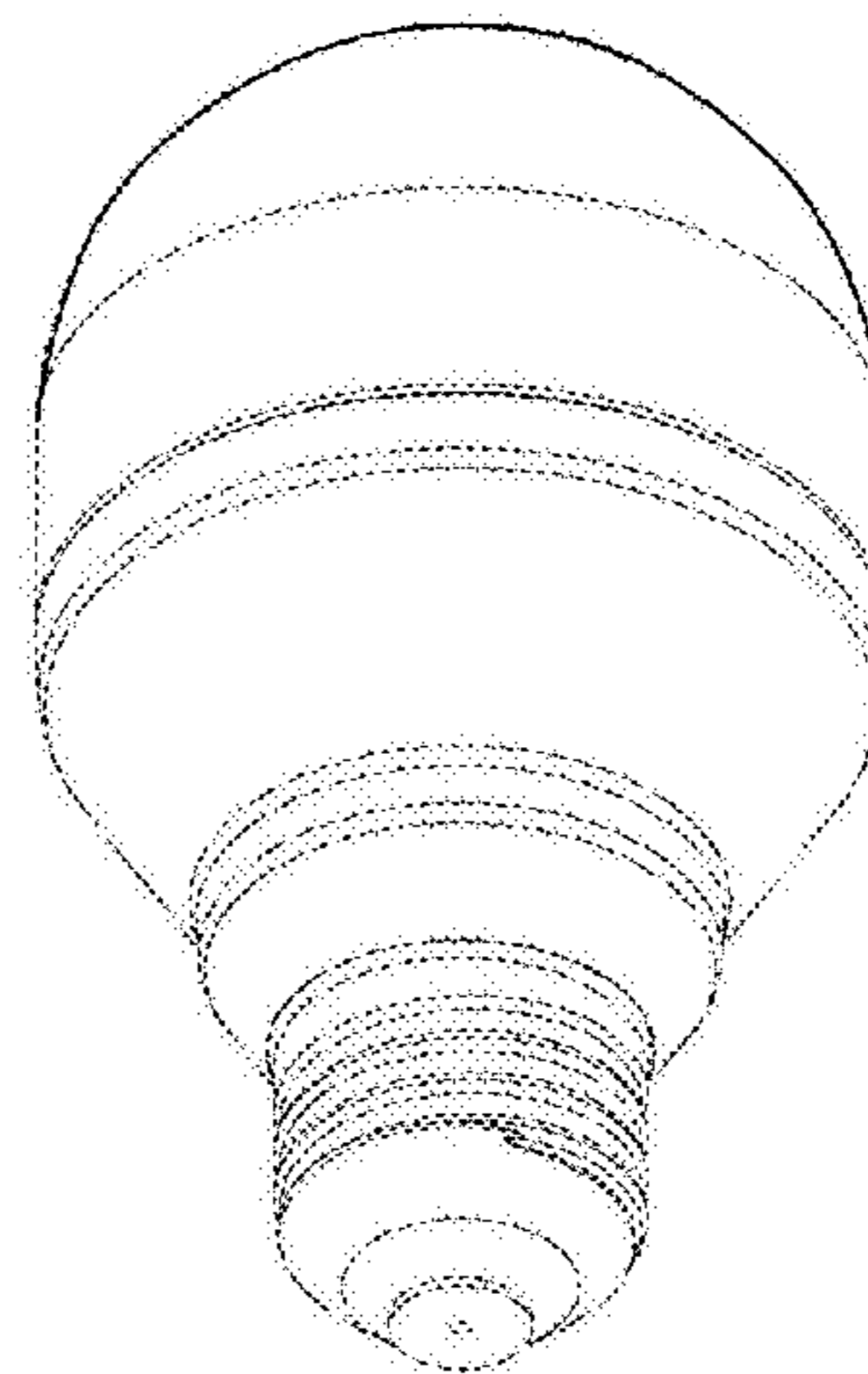
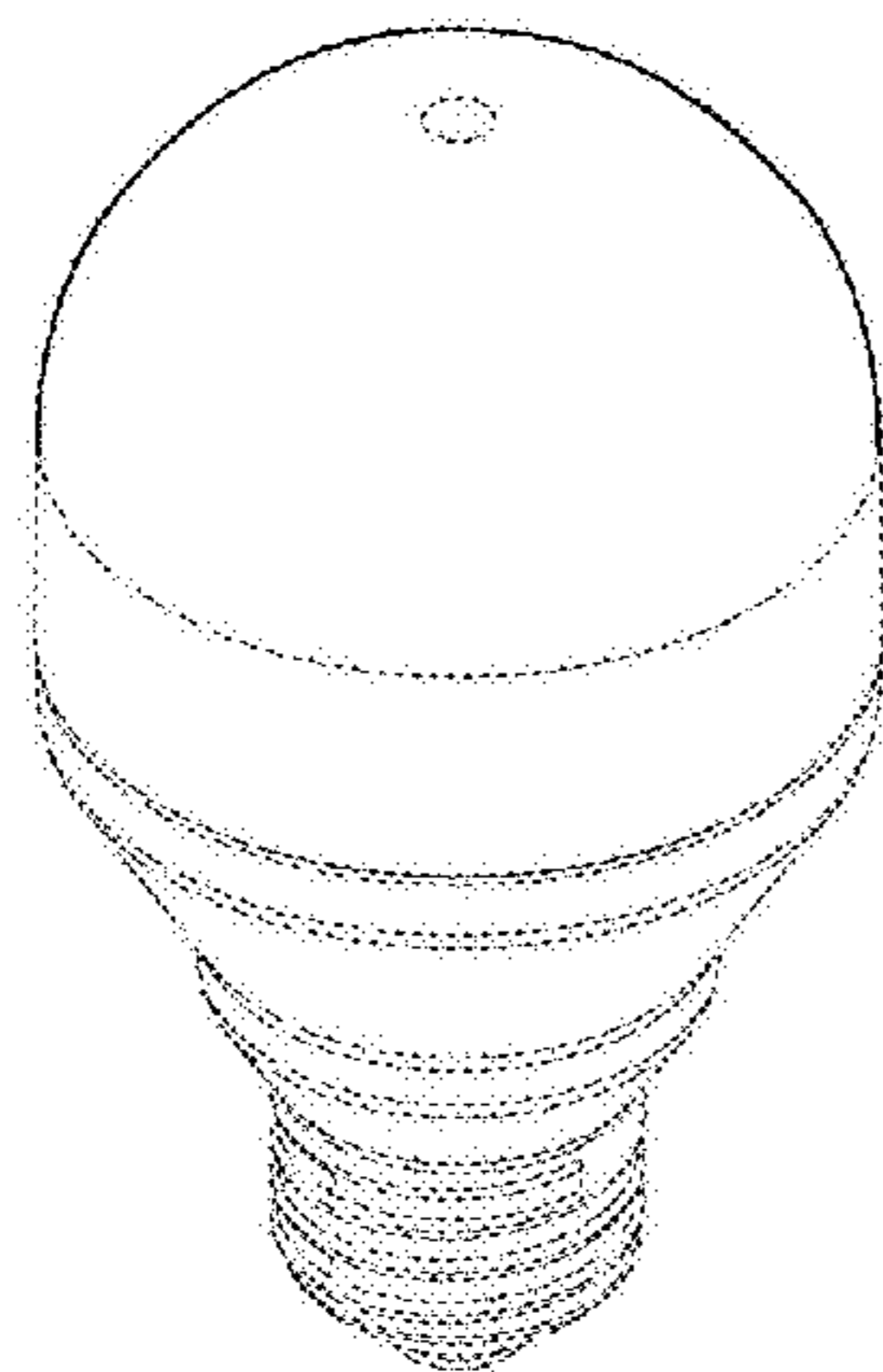
(57) **CLAIM**

We claim the ornamental design for a lightbulb, as shown and described.

DESCRIPTION

FIG. 1 is an isometric view, from the top left, of the lightbulb,
 FIG. 2 is an isometric view, from the bottom right, of the lightbulb.
 FIG. 3 is a plan view from the bottom of the lightbulb.
 FIG. 4 is a plan view from the top of the lightbulb.
 FIG. 5 is an elevation view from the right side of the Lightbulb.
 FIG. 6 is an elevation view from the left side of the lightbulb.
 FIG. 7 is an elevation view from the front of the lightbulb;
 and,
 FIG. 8 is an elevation view from the back of the lightbulb.
 Any broken lines are understood to be for illustrative purposes only and form no part of the claimed design.

1 Claim, 3 Drawing Sheets



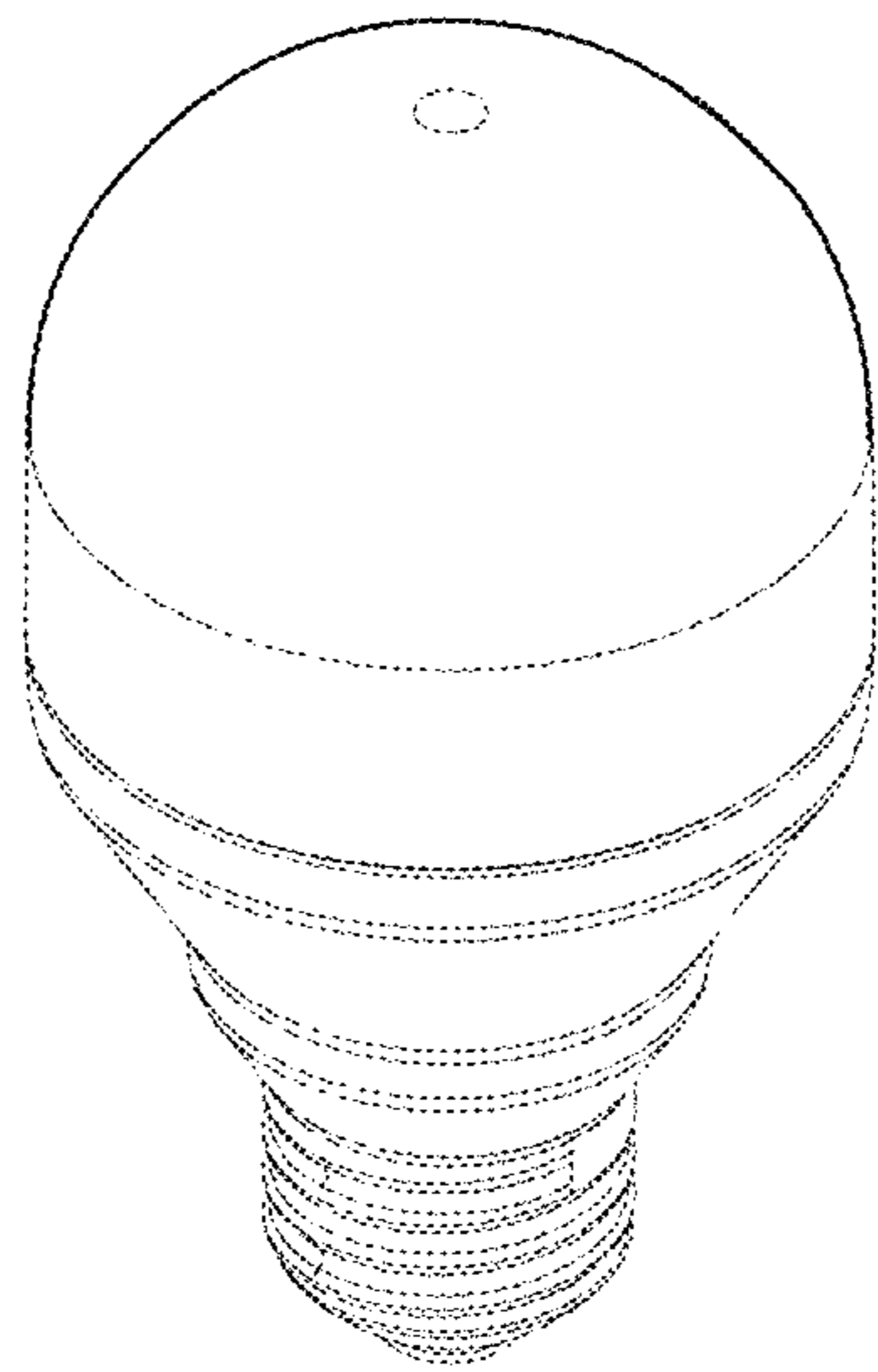


FIGURE 1

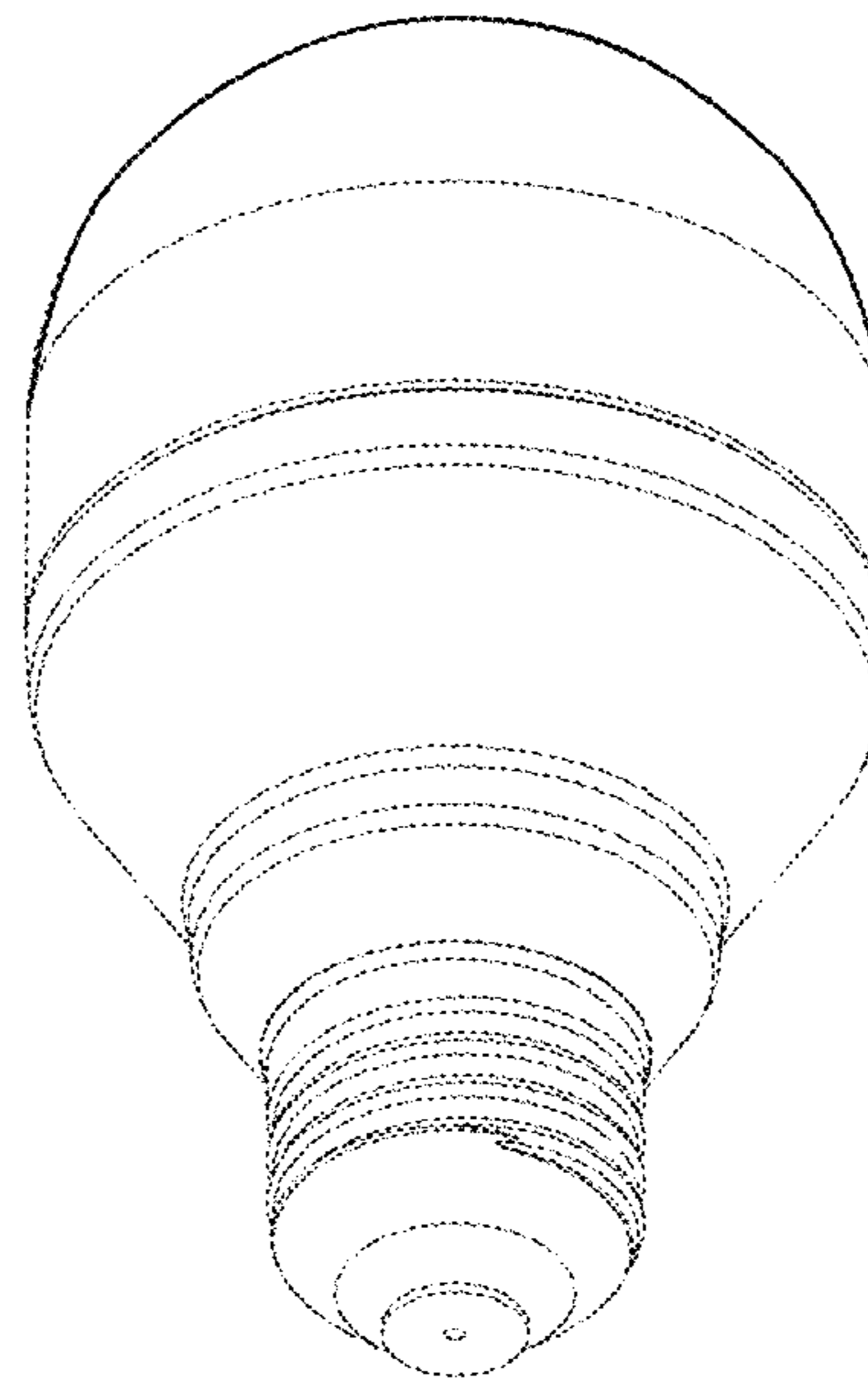


FIGURE 2

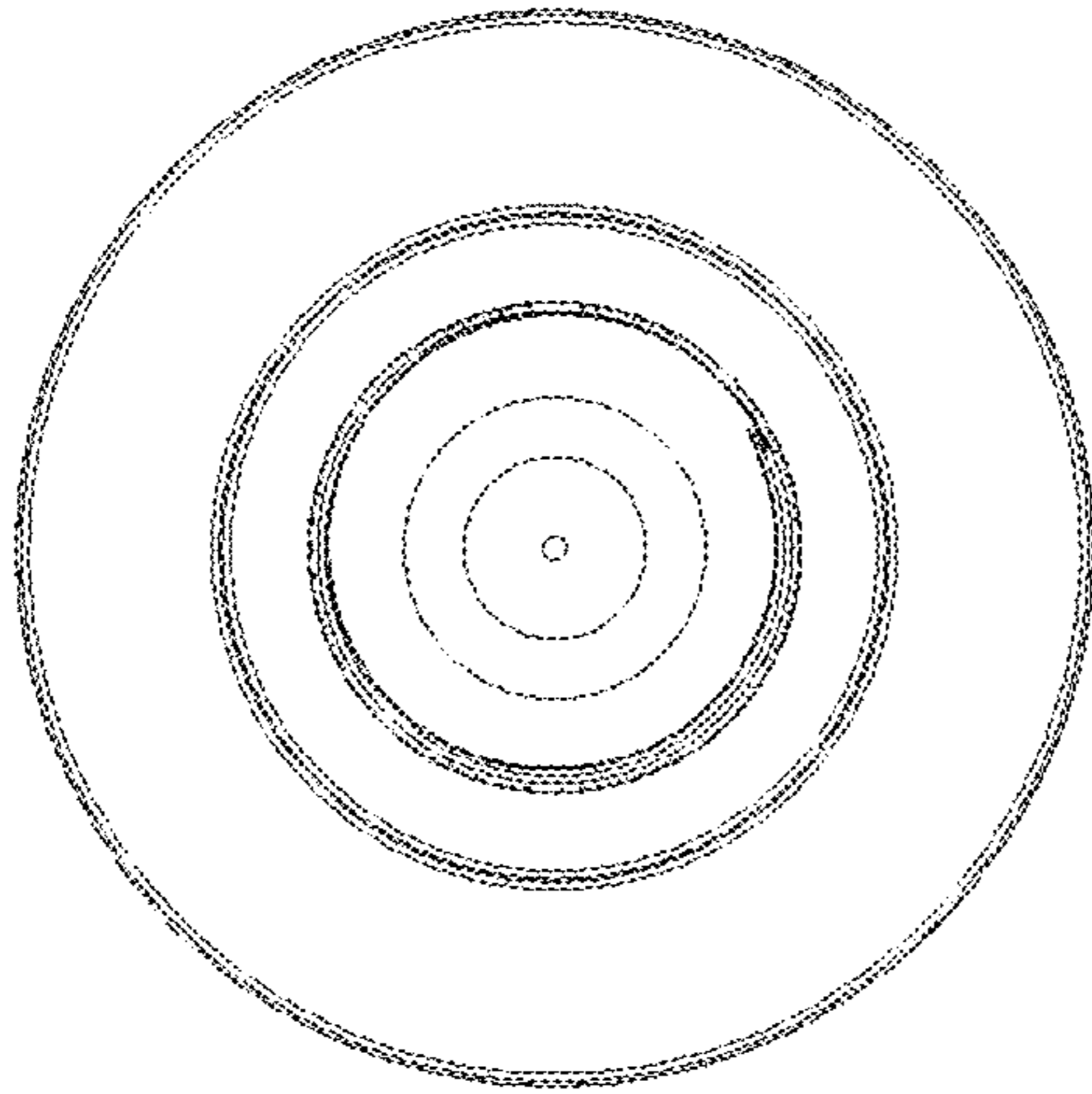


FIGURE 3

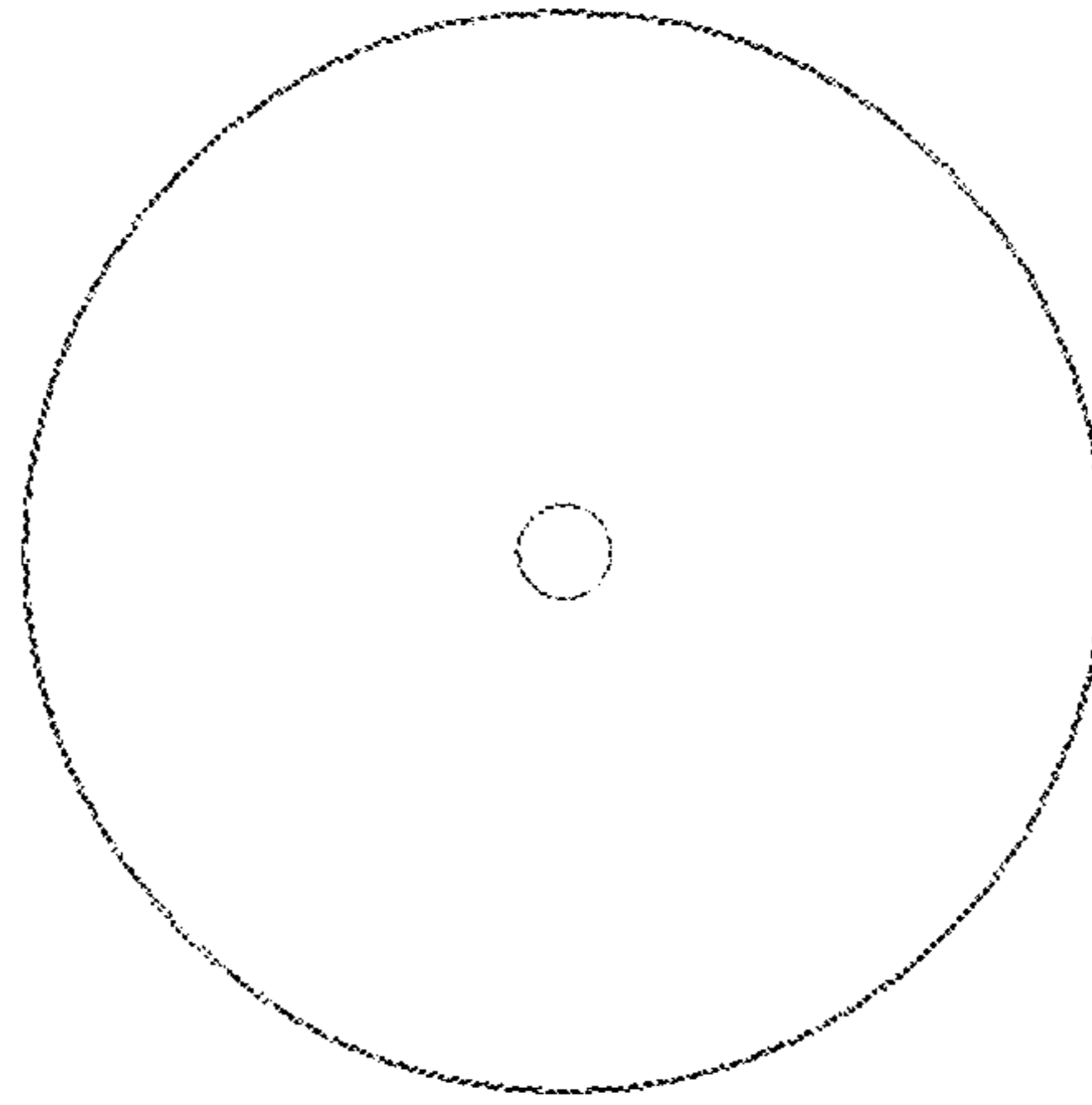


FIGURE 4

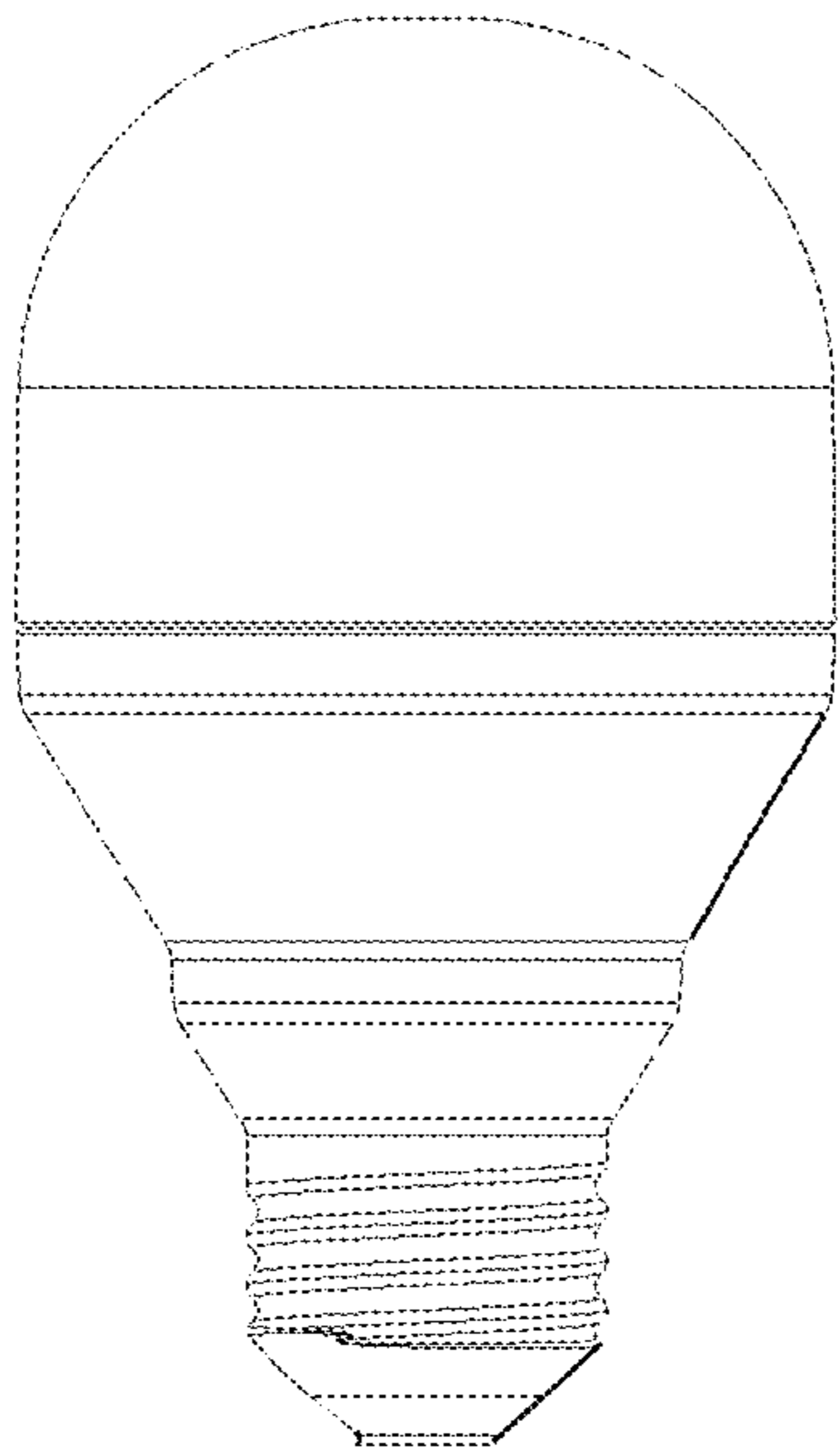


FIGURE 5

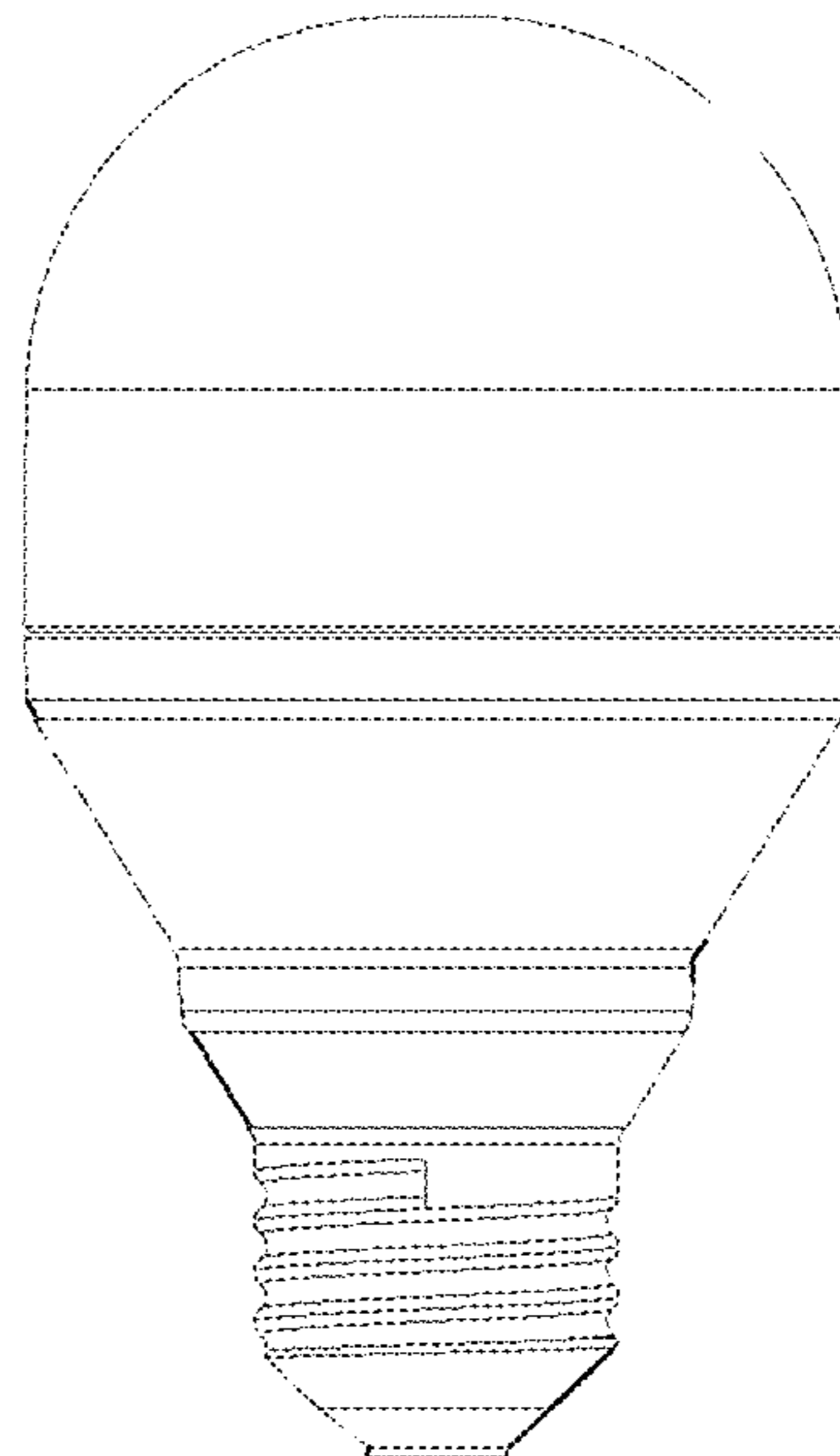


FIGURE 6

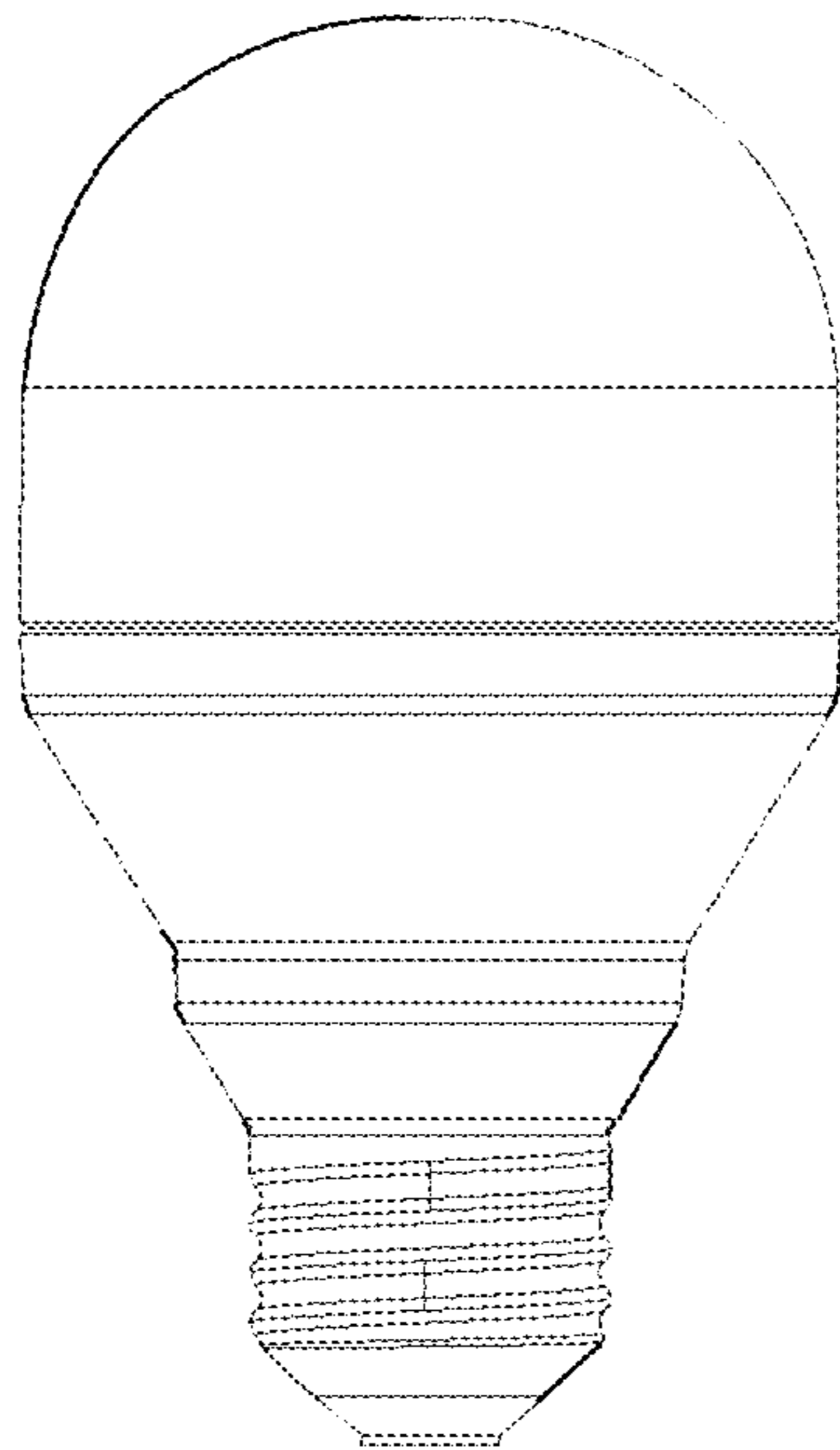


FIGURE 7

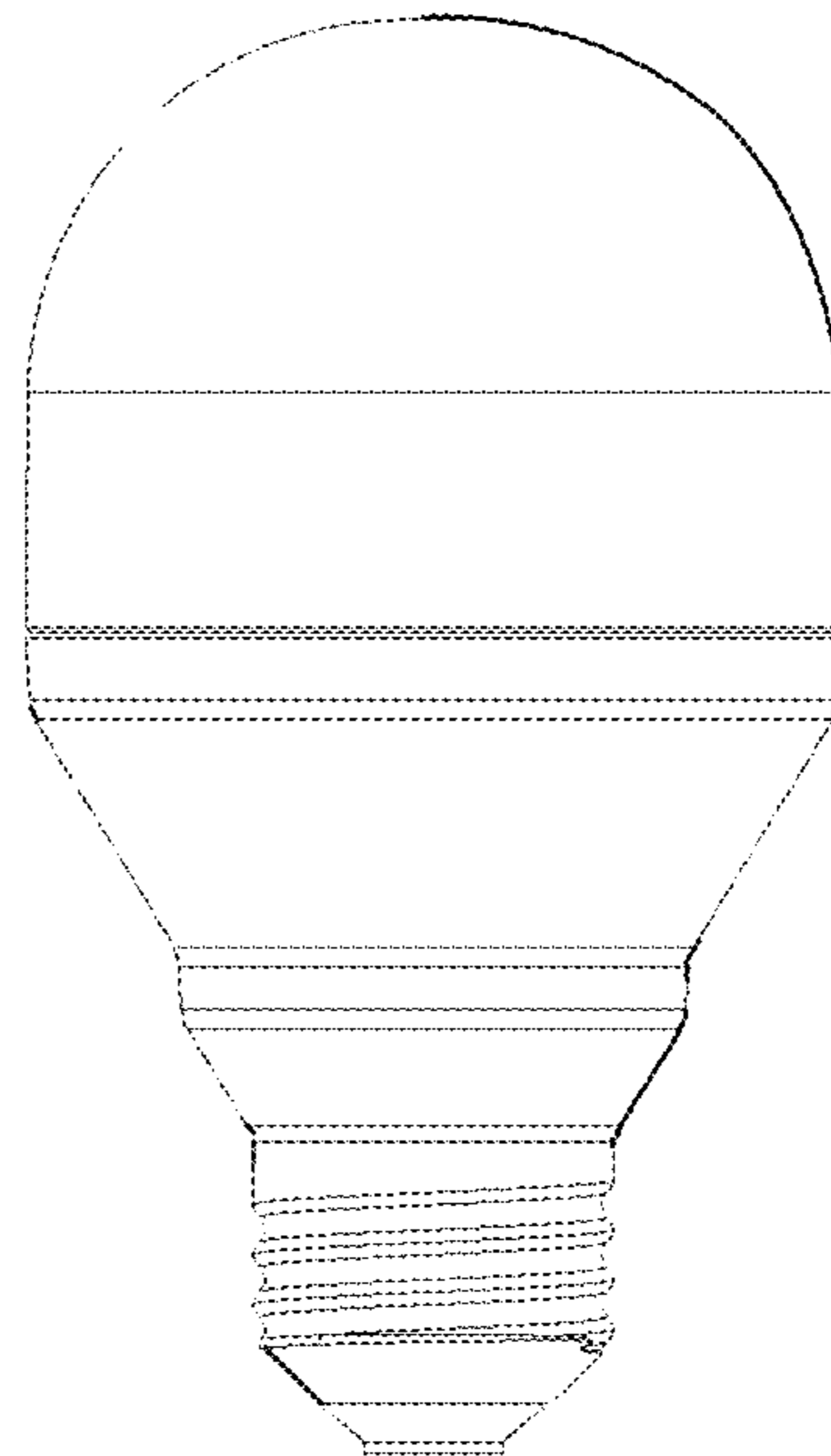


FIGURE 8