



US00D852385S

(12) **United States Design Patent**
Traub

(10) **Patent No.:** **US D852,385 S**
(45) **Date of Patent:** **** Jun. 25, 2019**

(54) **RETRACTABLE AWNING ARM SET**

(71) Applicant: **Rainier Industries, Ltd.**, Tukwila, WA (US)

(72) Inventor: **David King Traub**, Renton, WA (US)

(73) Assignee: **Rainier Industries, Ltd.**, Tukwila, WA (US)

(**) Term: **15 Years**

(21) Appl. No.: **29/581,261**

(22) Filed: **Oct. 17, 2016**

(51) **LOC (11) Cl.** **25-02**

(52) **U.S. Cl.**
USPC **D25/57**

(58) **Field of Classification Search**
USPC D6/279, 580; D8/376, 377; D21/837,
D21/839; D25/56, 57, 61

(Continued)

(56) **References Cited**

U.S. PATENT DOCUMENTS

1,736,936 A * 11/1929 Padavic E04F 10/0603
248/273
1,742,234 A * 1/1930 Clifton E04F 10/0603
160/70

(Continued)

FOREIGN PATENT DOCUMENTS

EM 001959784-0002 * 7/2012
JP D1362350 * 6/2009
JP D1461916 * 2/2013

OTHER PUBLICATIONS

http://2le0xp15a8jj172v473v3y381vh.wpengine.netdna-cdn.com/shade/wp-content/uploads/sites/4/2014/03/Retractable_Awning_with_Red_Stripes.jpg Apr. 2014 (Year: 2014).*

(Continued)

Primary Examiner — Leanne Was-Englehart

(74) *Attorney, Agent, or Firm* — Leonid Kisselev

(57) **CLAIM**

The ornamental design for a retractable awning arm set, as substantially shown and described.

DESCRIPTION

FIG. 1 is a perspective view of a retractable awning arm set, showing an extended right retractable awning arm.

FIG. 2 is a perspective view showing a bent right retractable awning arm of FIG. 1.

FIG. 3 is a left elevational view of the extended right retractable awning arm of FIG. 1.

FIG. 4 is a right elevational view of the extended right retractable awning arm of FIG. 1.

FIG. 5 is a top plan view of the extended right retractable awning arm of FIG. 1.

FIG. 6 is a bottom plan view of the extended right retractable awning arm of FIG. 1.

FIG. 7 is a front elevational view of the extended right retractable awning arm of FIG. 1.

FIG. 8 is a rear elevational view of the extended right retractable awning arm of FIG. 1.

FIG. 9 is a perspective view of a retractable awning arm set, showing an extended left retractable awning arm.

FIG. 10 is a perspective view showing a bent left retractable awning arm of FIG. 9.

FIG. 11 is a left elevational view of the extended left retractable awning arm of FIG. 9. The

FIG. 12 is a right elevational view of the extended left retractable awning arm of FIG. 9.

FIG. 13 is a top plan view of the extended left retractable awning arm of FIG. 9.

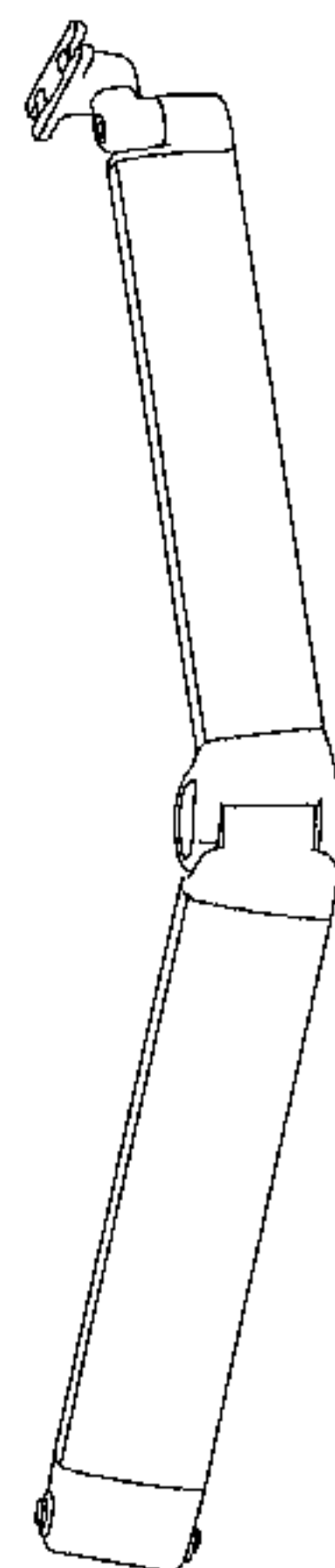
FIG. 14 is a bottom plan view of the extended left retractable awning arm of FIG. 9.

FIG. 15 is a front elevational view of the extended left retractable awning arm of FIG. 9.

FIG. 16 is a rear elevational view of the extended left retractable awning arm of FIG. 9; and,

FIG. 17 is a perspective view of the extended right retractable awning arm of FIG. 1 and the extended left retractable awning arm of FIG. 9 as parts of a retractable awning.

(Continued)



The right retractable awning arm of FIG. 1 and the left retractable awning arm of FIG. 9 are mirror images of each other.

The broken lines shown in the drawings represent portions of the retractable awning and of the retractable awning arm set that form no part of the claimed design.

1 Claim, 17 Drawing Sheets

(58) Field of Classification Search

CPC E04F 10/0614; E04F 10/0618; E04F 10/0633; E04F 10/0637; E04F 10/0662; E04F 10/0685; E04F 10/0692

See application file for complete search history.

(56) References Cited

U.S. PATENT DOCUMENTS

1,814,108 A * 7/1931 Anton E04F 10/0618
248/273
1,993,183 A * 3/1935 Schane E04F 10/0618
403/111
3,991,805 A * 11/1976 Clauss E04F 10/0618
160/22
4,566,516 A * 1/1986 Lohausen E04F 10/0618
160/22
5,369,919 A * 12/1994 Lohausen E04F 10/0618
160/22
6,363,664 B1 4/2002 Brutsaert
6,557,612 B2 * 5/2003 Voss E04F 10/0618
160/70
D485,620 S * 1/2004 Detering D25/57
6,732,018 B2 5/2004 Osinga
6,820,673 B2 * 11/2004 Wessels E04F 10/0611
160/56
6,957,679 B2 * 10/2005 Powell E04F 10/06
160/263

D563,563 S * 3/2008 Llagostera Forns D25/57
7,367,376 B2 * 5/2008 Llagostera Forns
E04F 10/0611
160/66
7,451,797 B2 * 11/2008 Llagostera Forns
E04F 10/0611
160/70
D604,427 S * 11/2009 Kramer D25/57
8,042,596 B2 10/2011 Llagostera Forns
8,113,260 B2 2/2012 Llagostera Forns
8,141,613 B2 3/2012 Brutsaert
D668,787 S * 10/2012 Kramer D25/57
D669,192 S * 10/2012 Kramer D25/57
D669,193 S * 10/2012 Kramer D25/57
8,316,910 B2 11/2012 Popa et al.
D807,530 S * 1/2018 Kramer D25/57
2003/0106649 A1 6/2003 Wessels
2008/0277073 A1 * 11/2008 Ito E04F 10/06
160/67
2008/0308238 A1 12/2008 Ito
2009/0301664 A1 * 12/2009 Llagostera Forns
E04F 10/0622
160/79
2011/0304823 A1 * 12/2011 Wensing E04F 10/0666
353/15
2018/0106047 A1 * 4/2018 Traub E04F 10/0618

OTHER PUBLICATIONS

http://2le0xp15a8jj172v473v3y381vh.wpengine.netdna-cdn.com/shade/wp-content/uploads/sites/4/2014/03/Green_Deck_Awning.jpg Apr. 2014 (Year: 2014).*
R-90, URL <<http://www.batusa.us/en/prodotti/dettaglio/australia-147.html>>(Web page cached on Jan. 6, 2015).
Sunsetter Awnings by Lanier Aluminum Products, URL <<http://sunsetternorthgeorgia.com/products/motorized-motorized-xl/>> (Web page cached on Aug. 6, 2016).

* cited by examiner

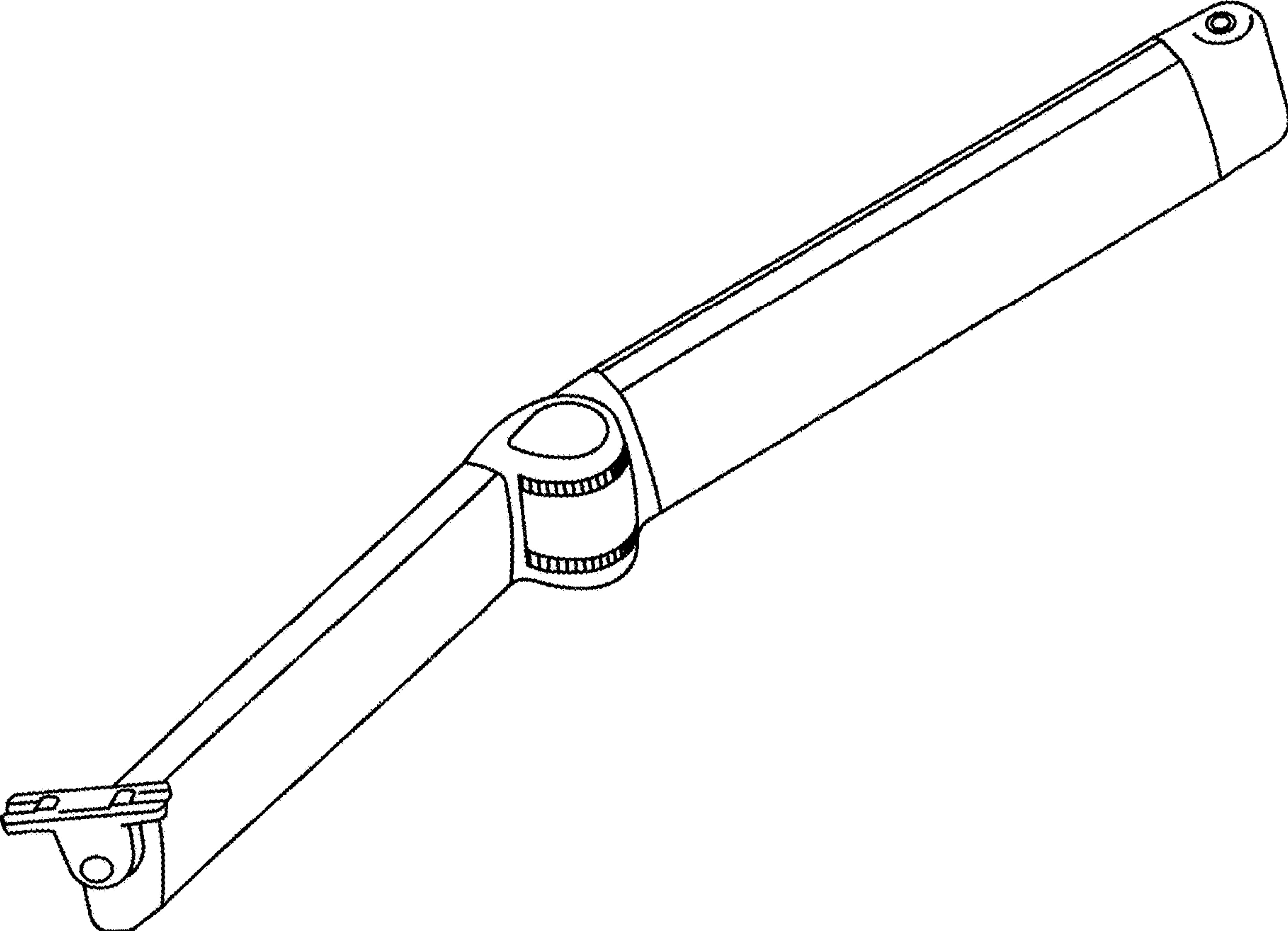


FIG. 1

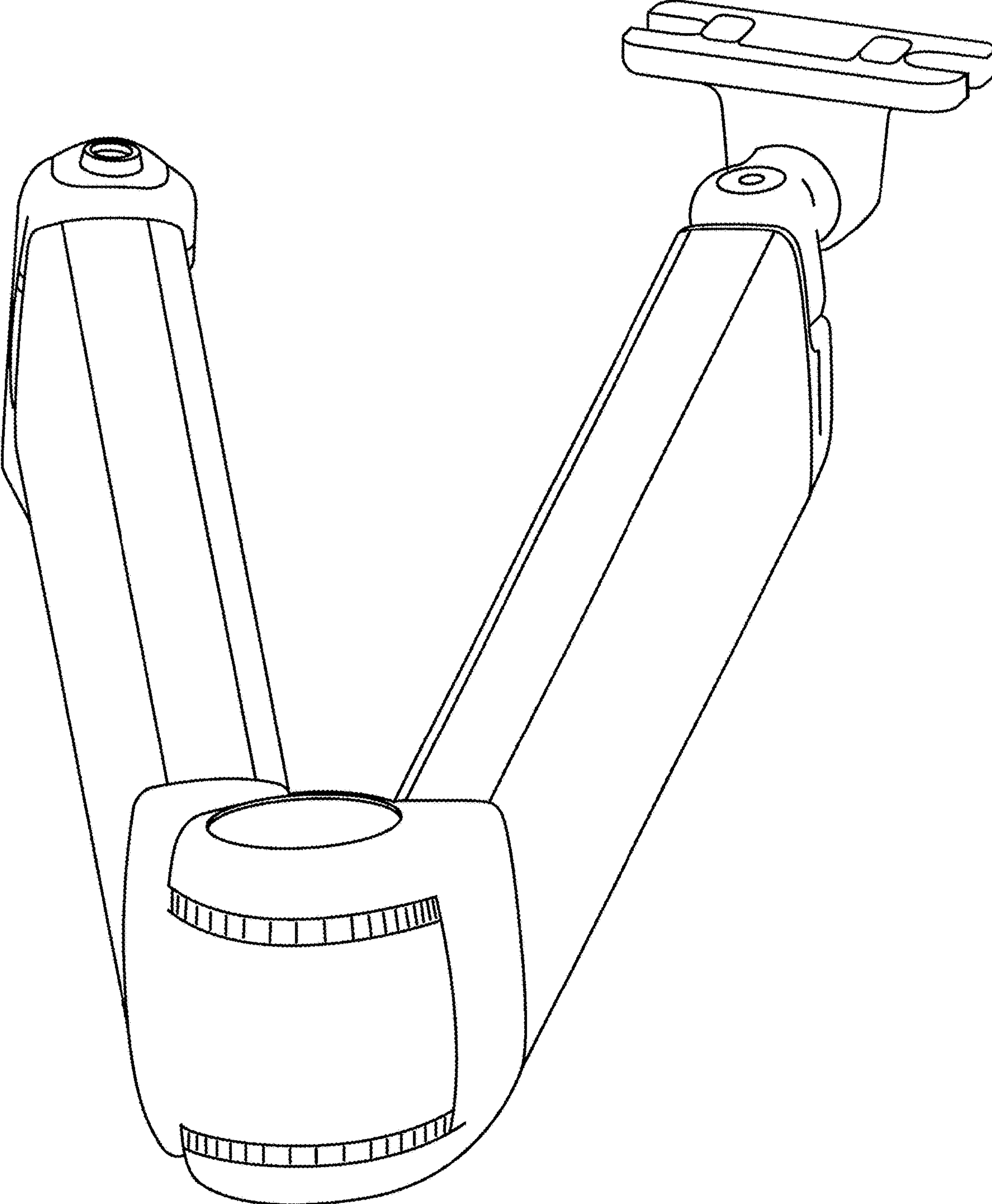


FIG. 2

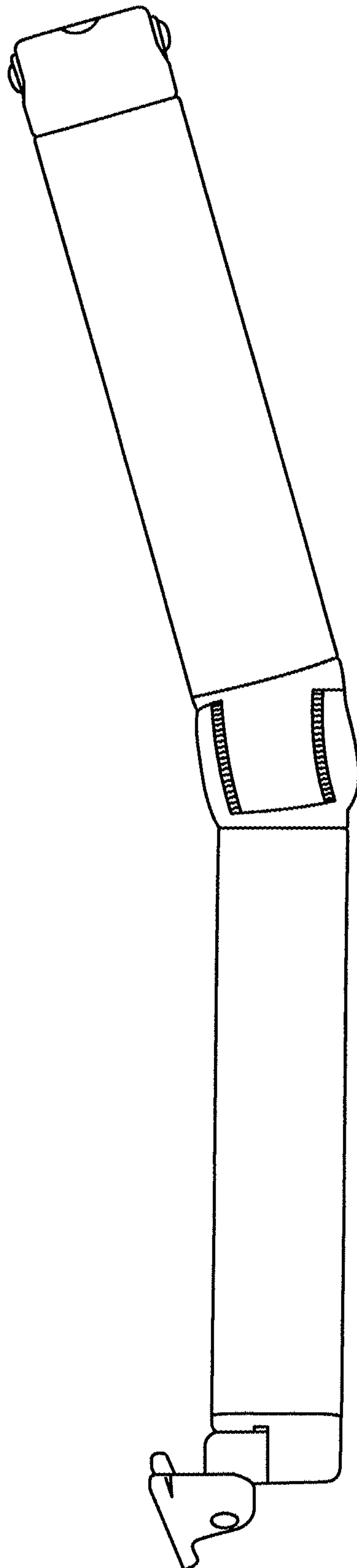


FIG. 3

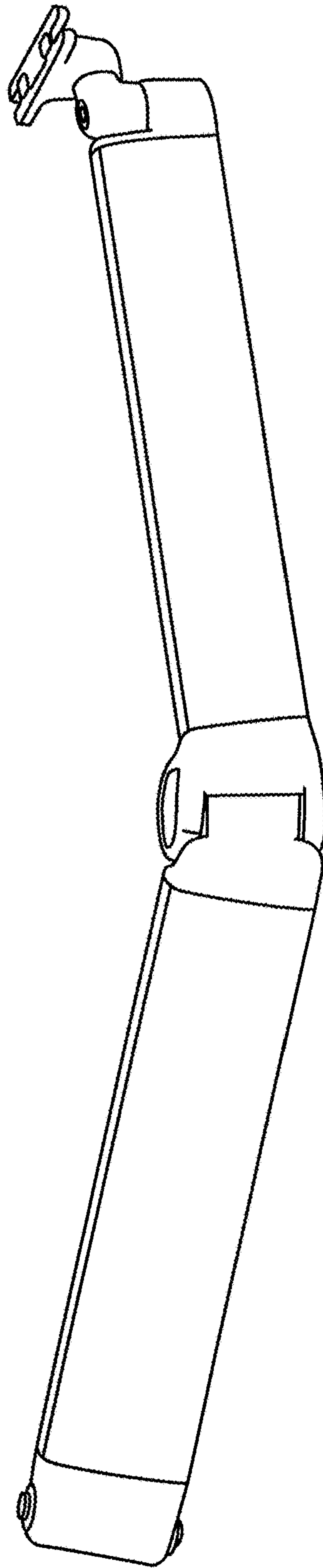


FIG. 4

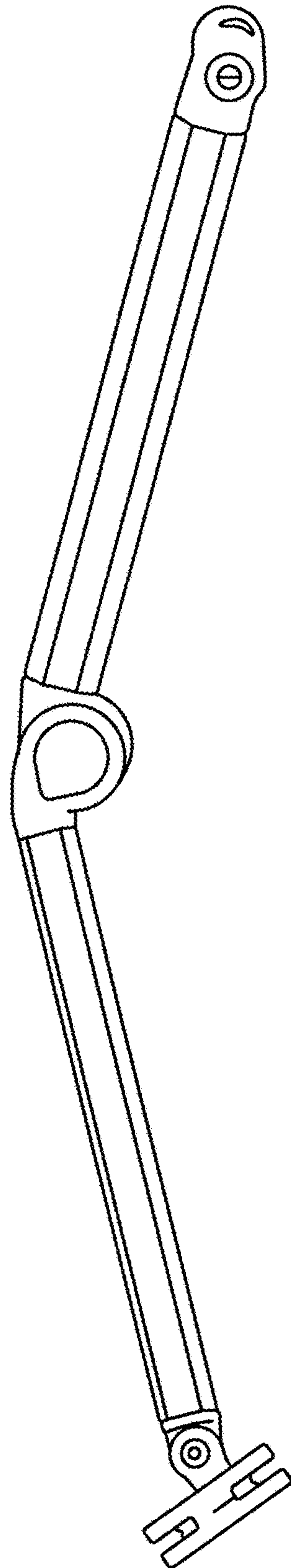


FIG. 5

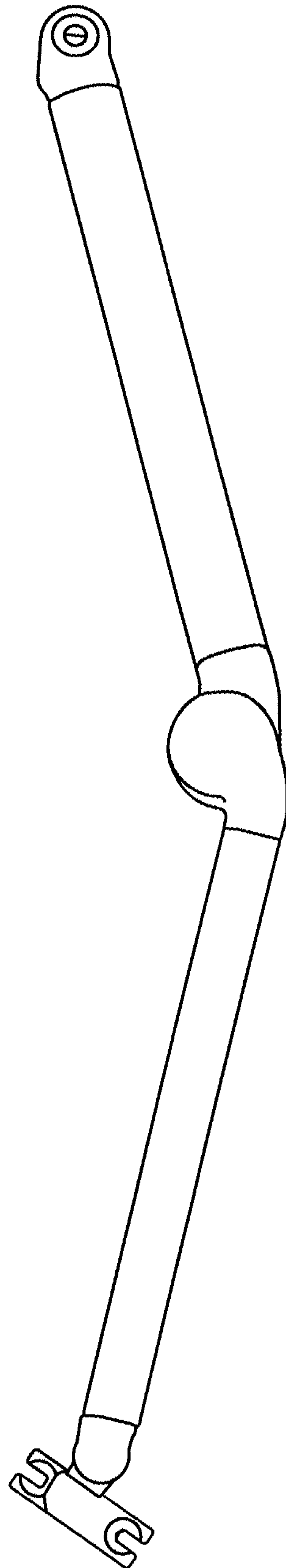


FIG. 6

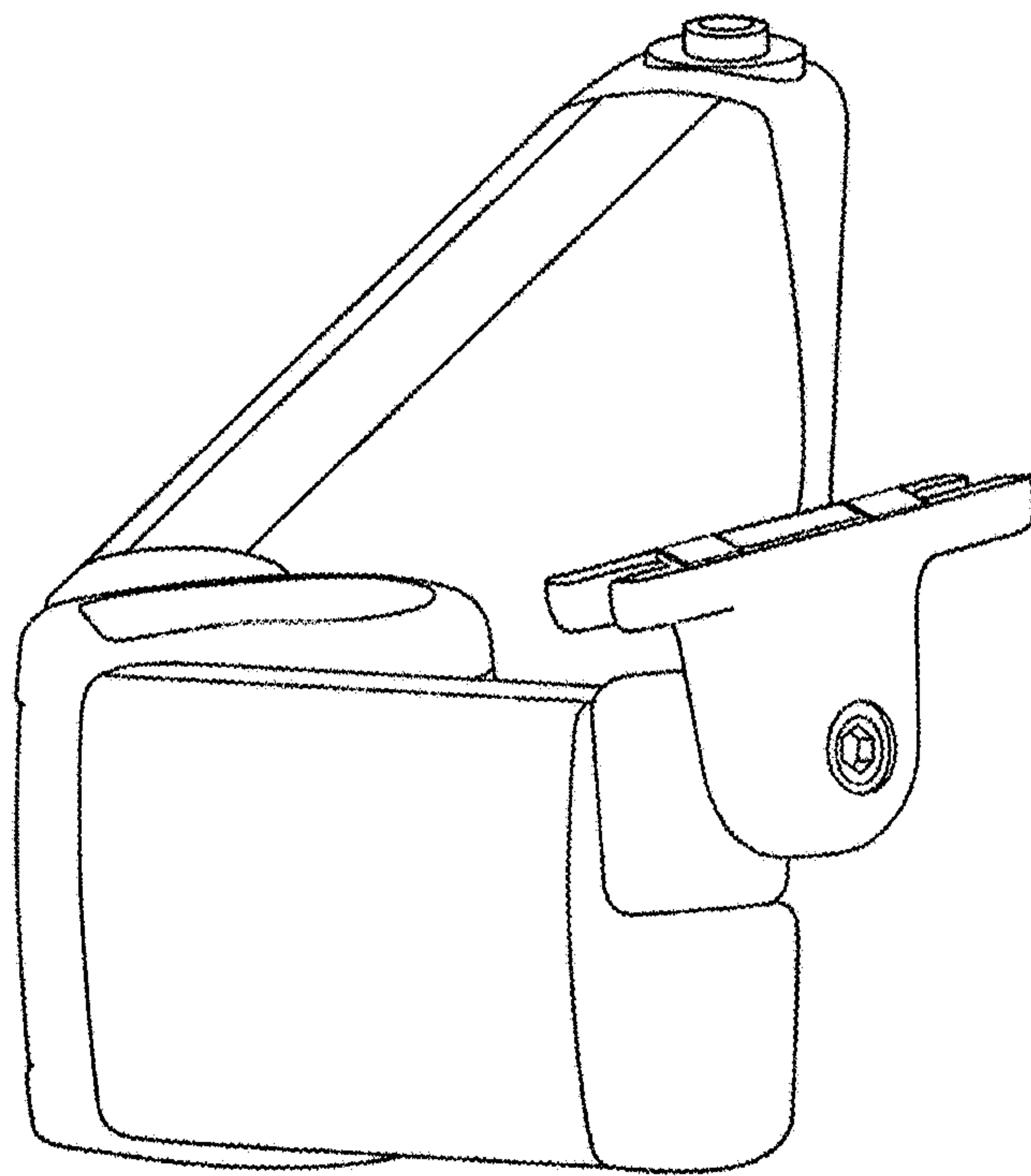


FIG.7

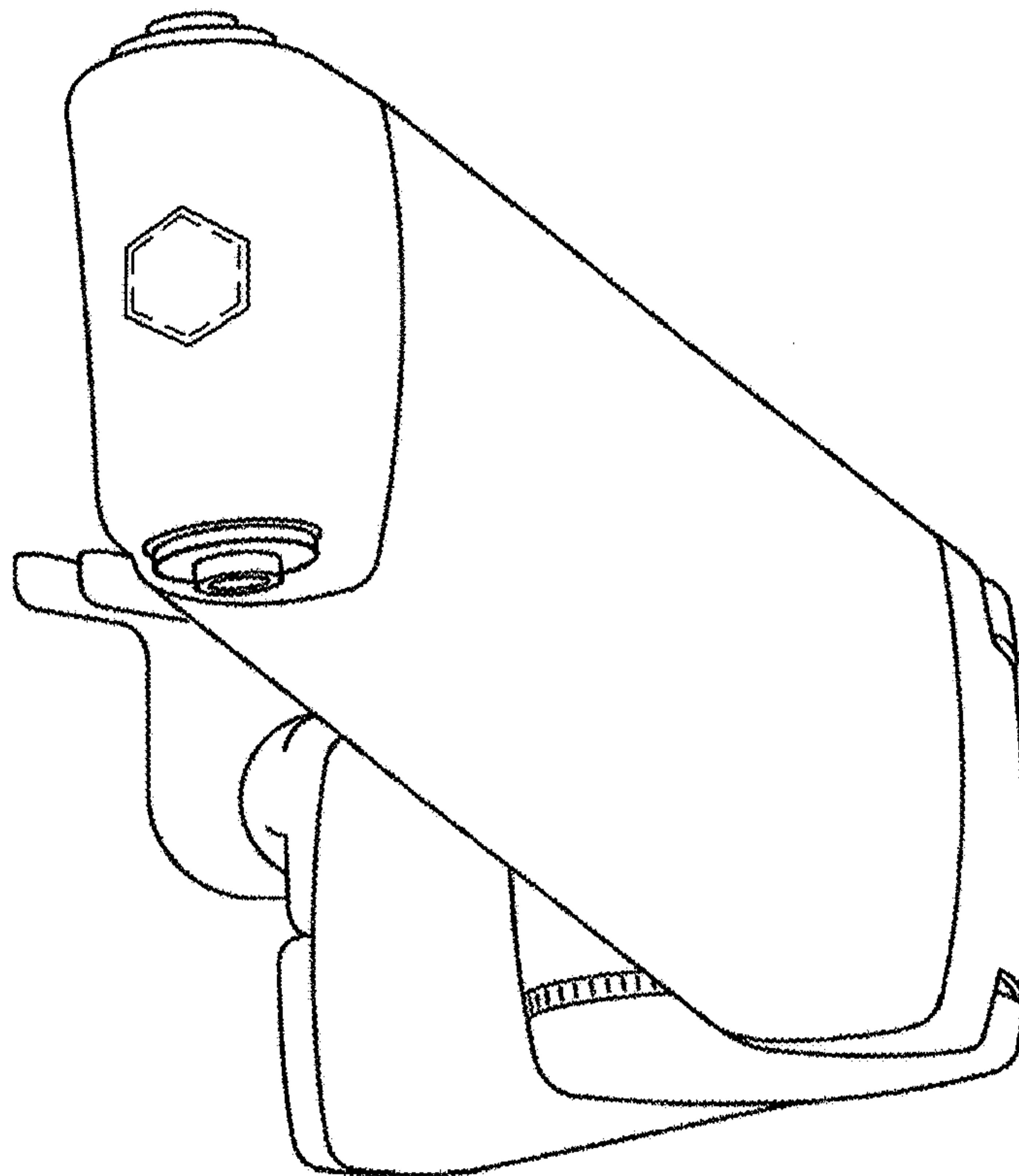


FIG. 8

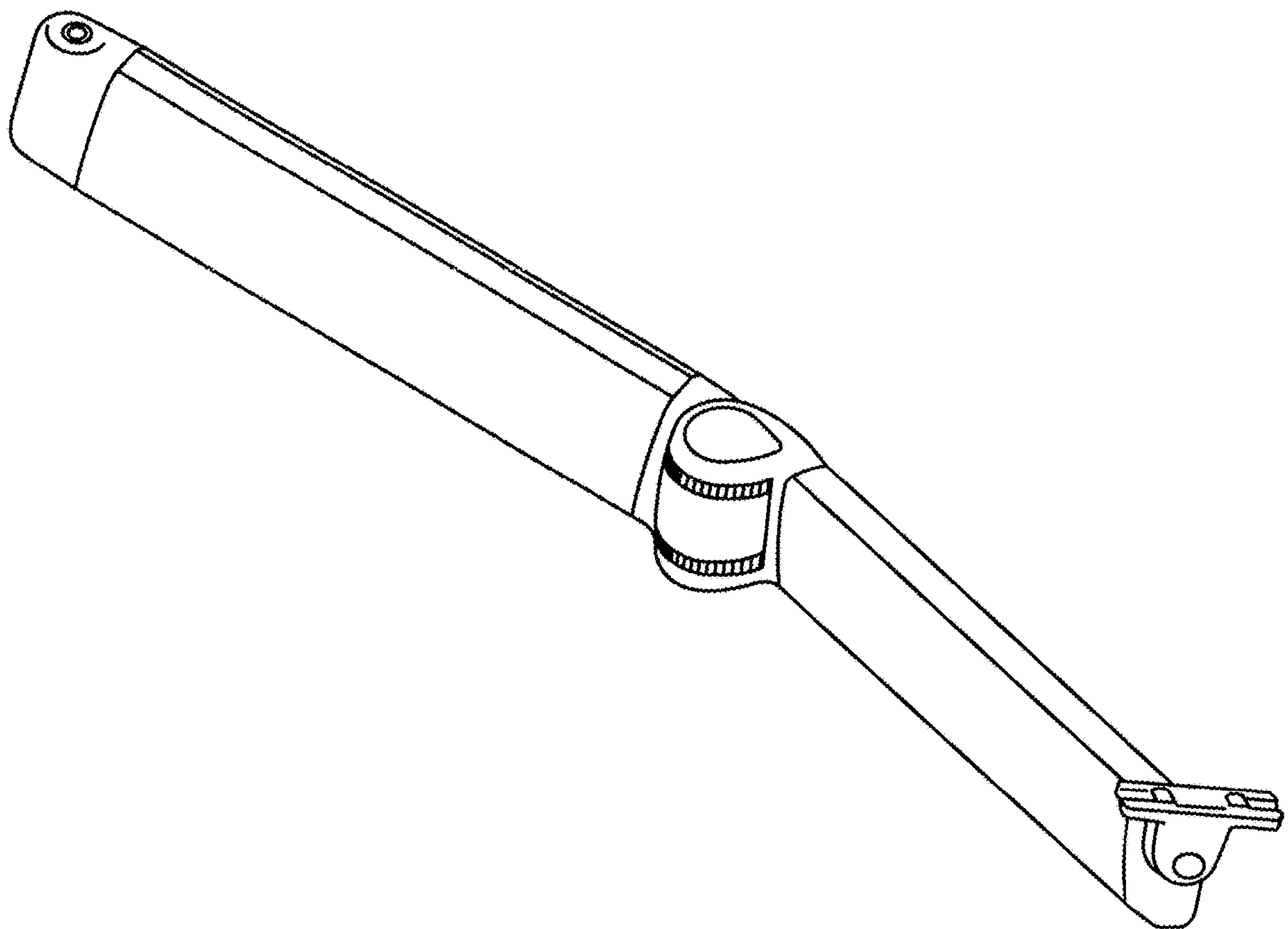


FIG. 9

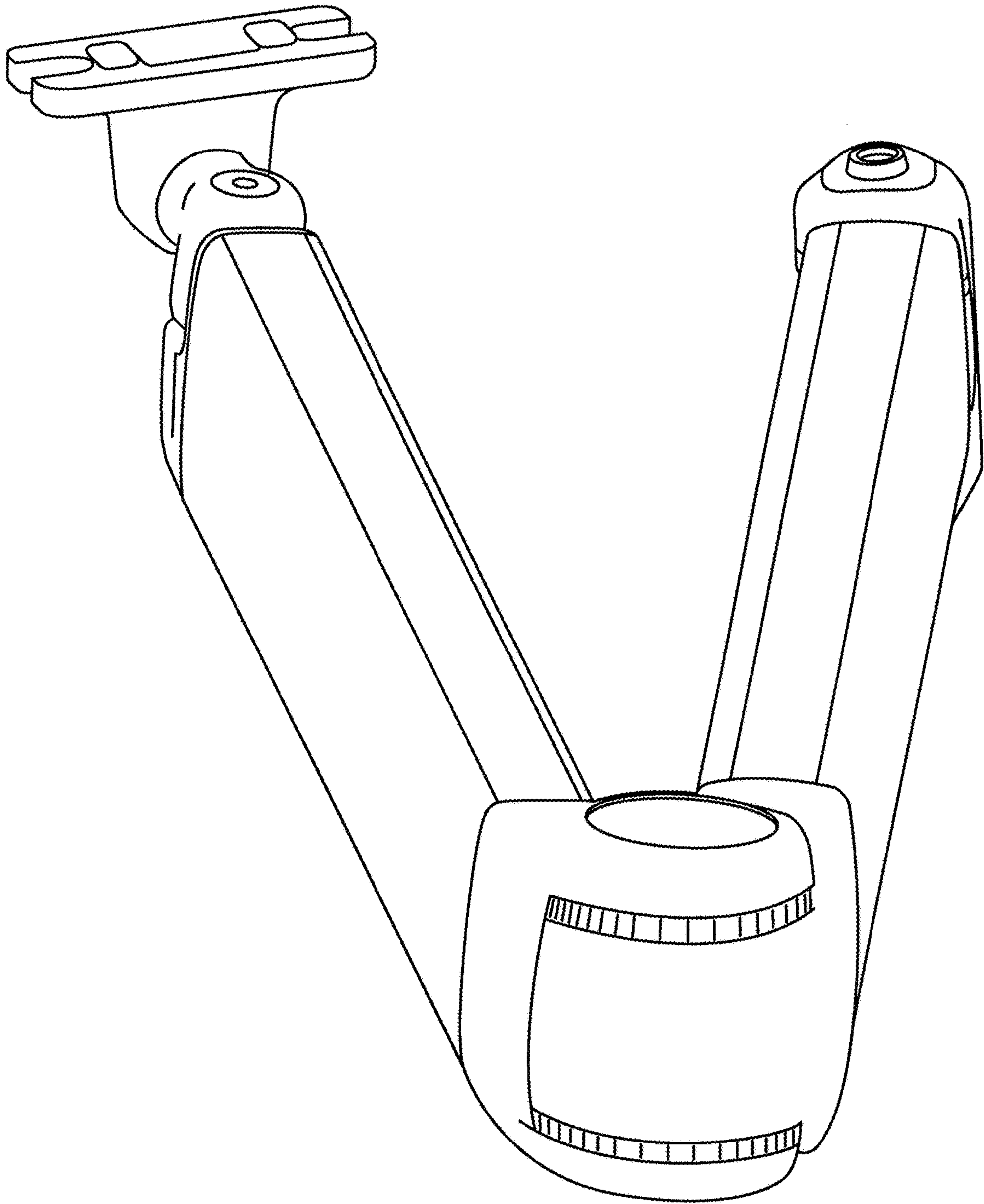


FIG. 10

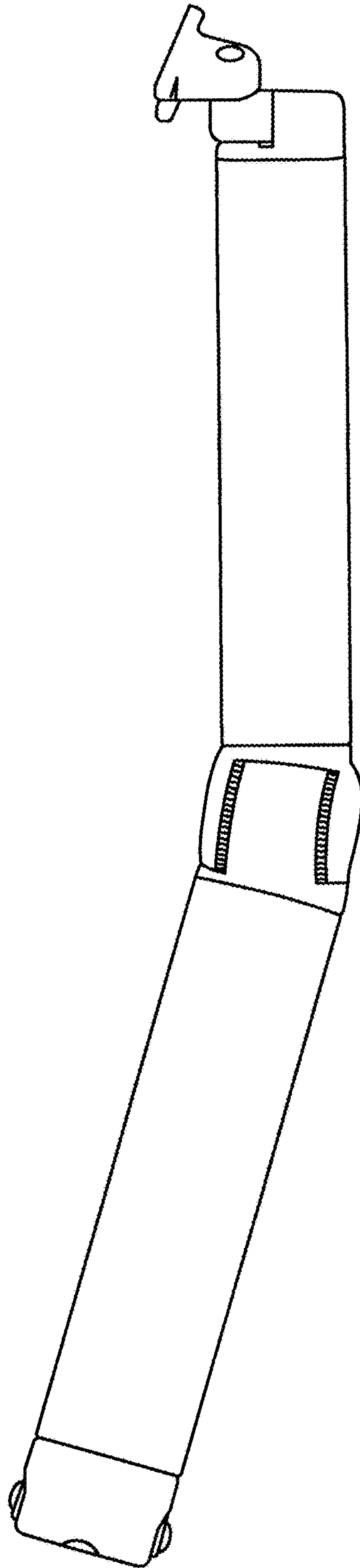


FIG. 11

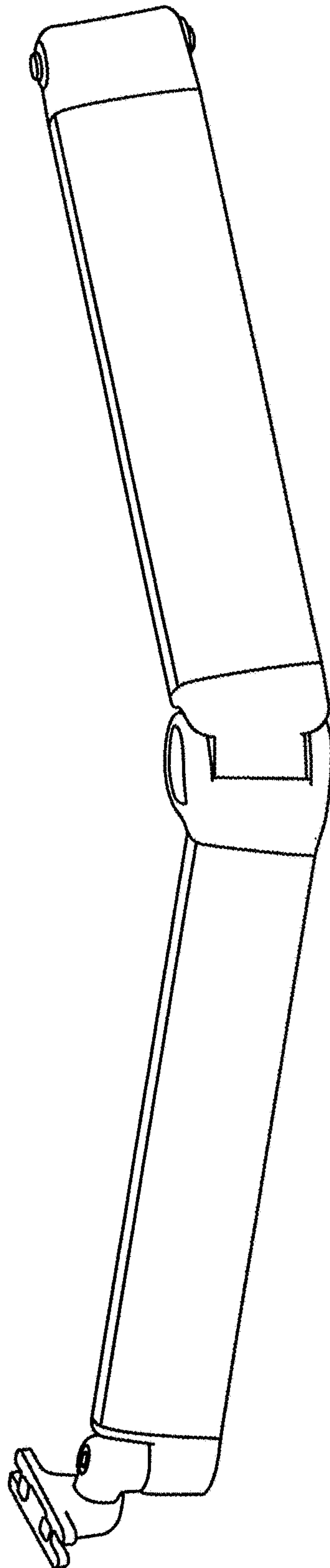


FIG. 12

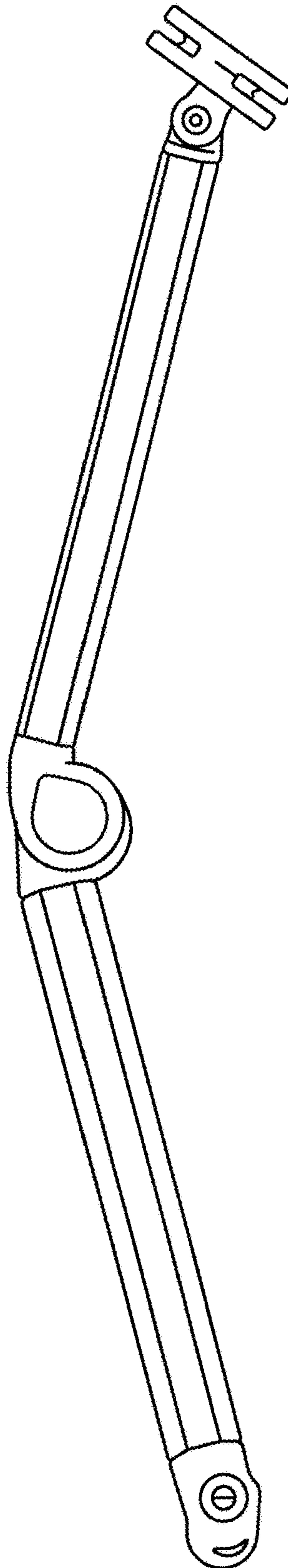


FIG. 13

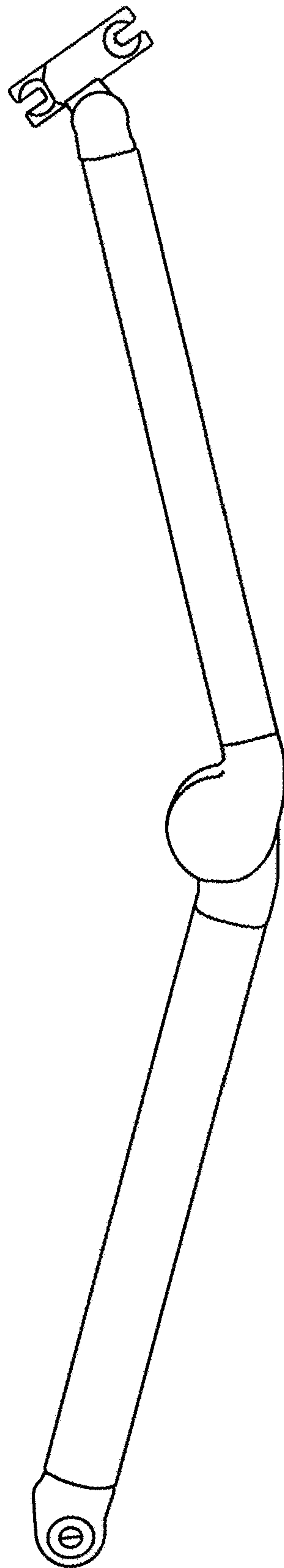


FIG. 14

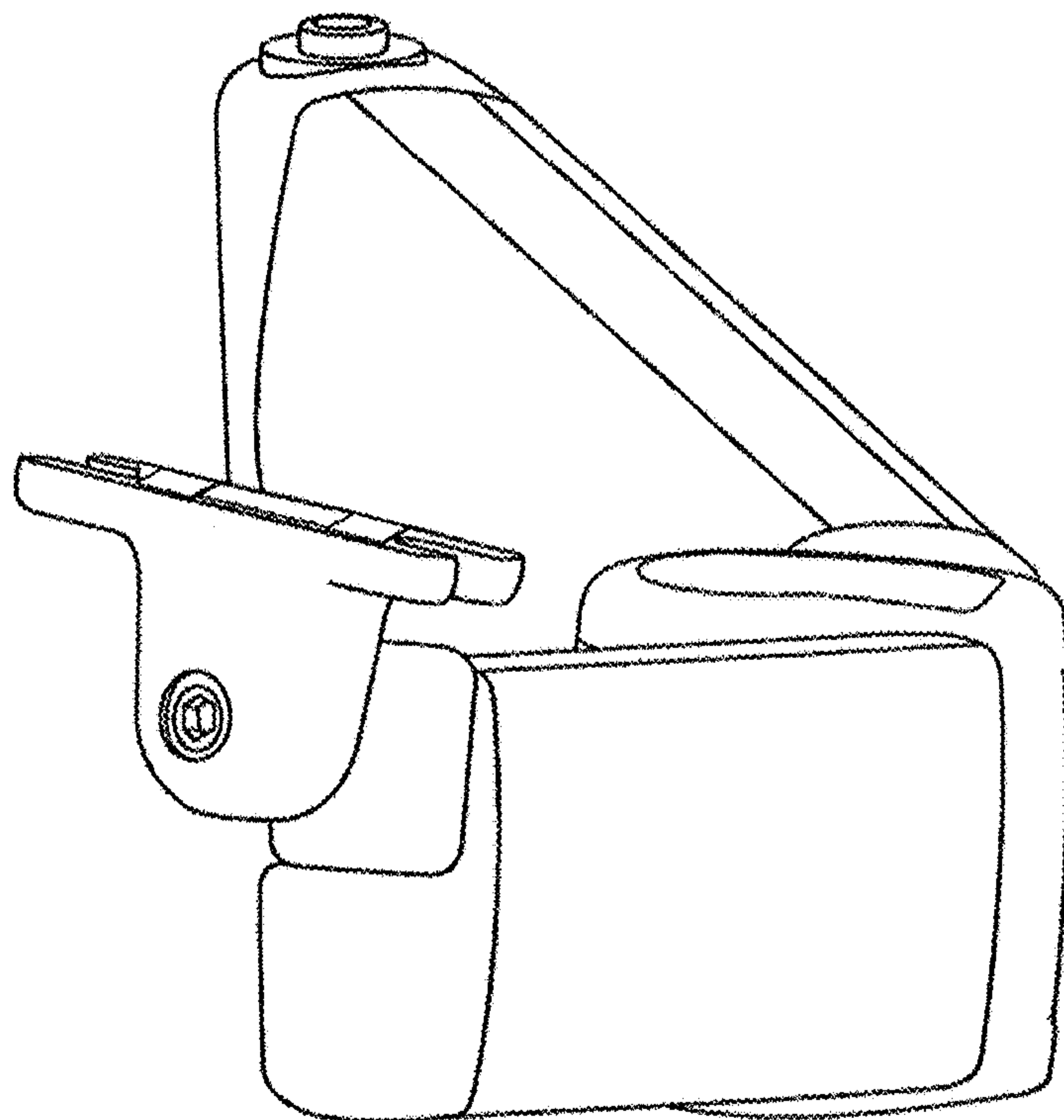


FIG. 15

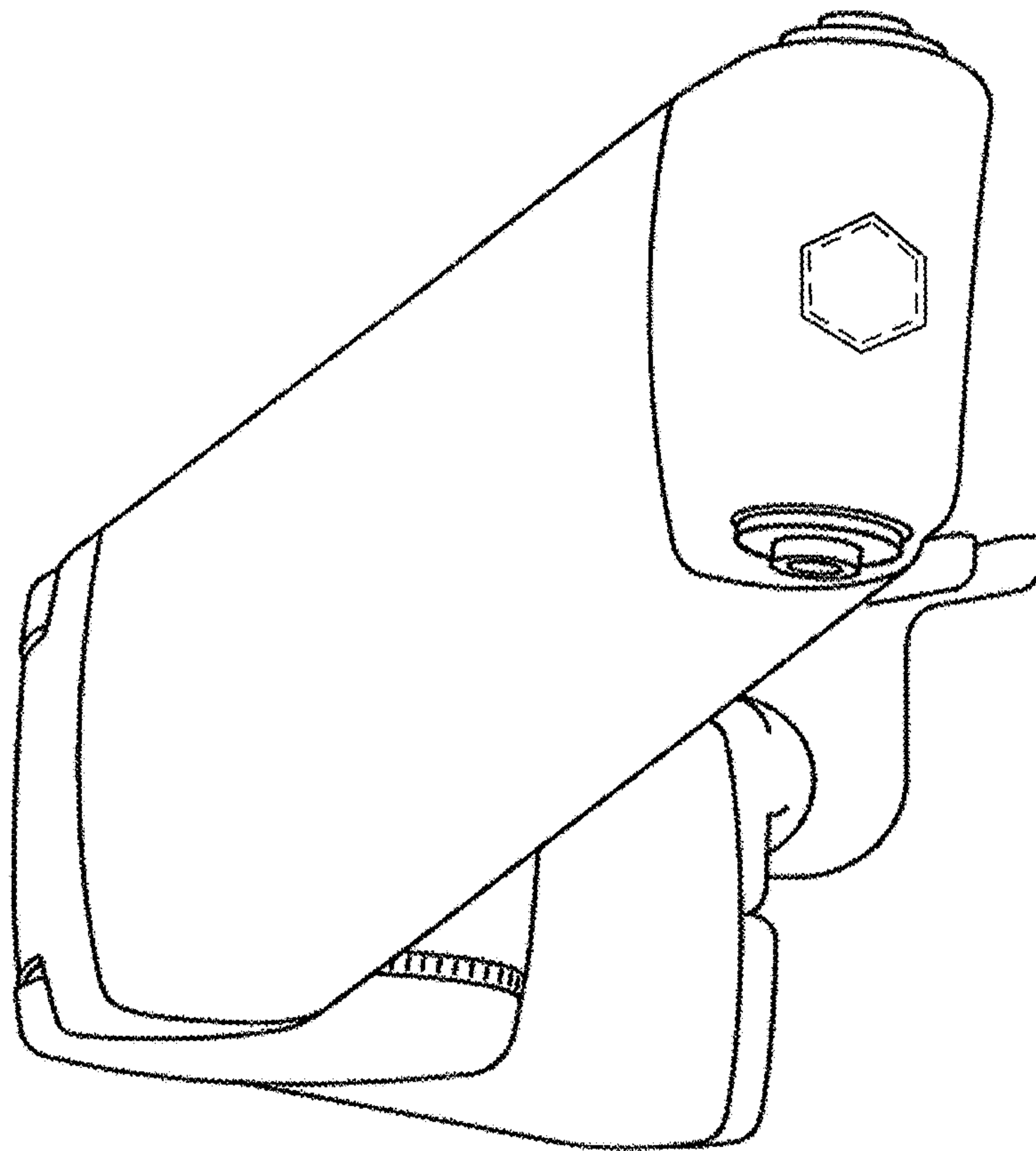


FIG. 16

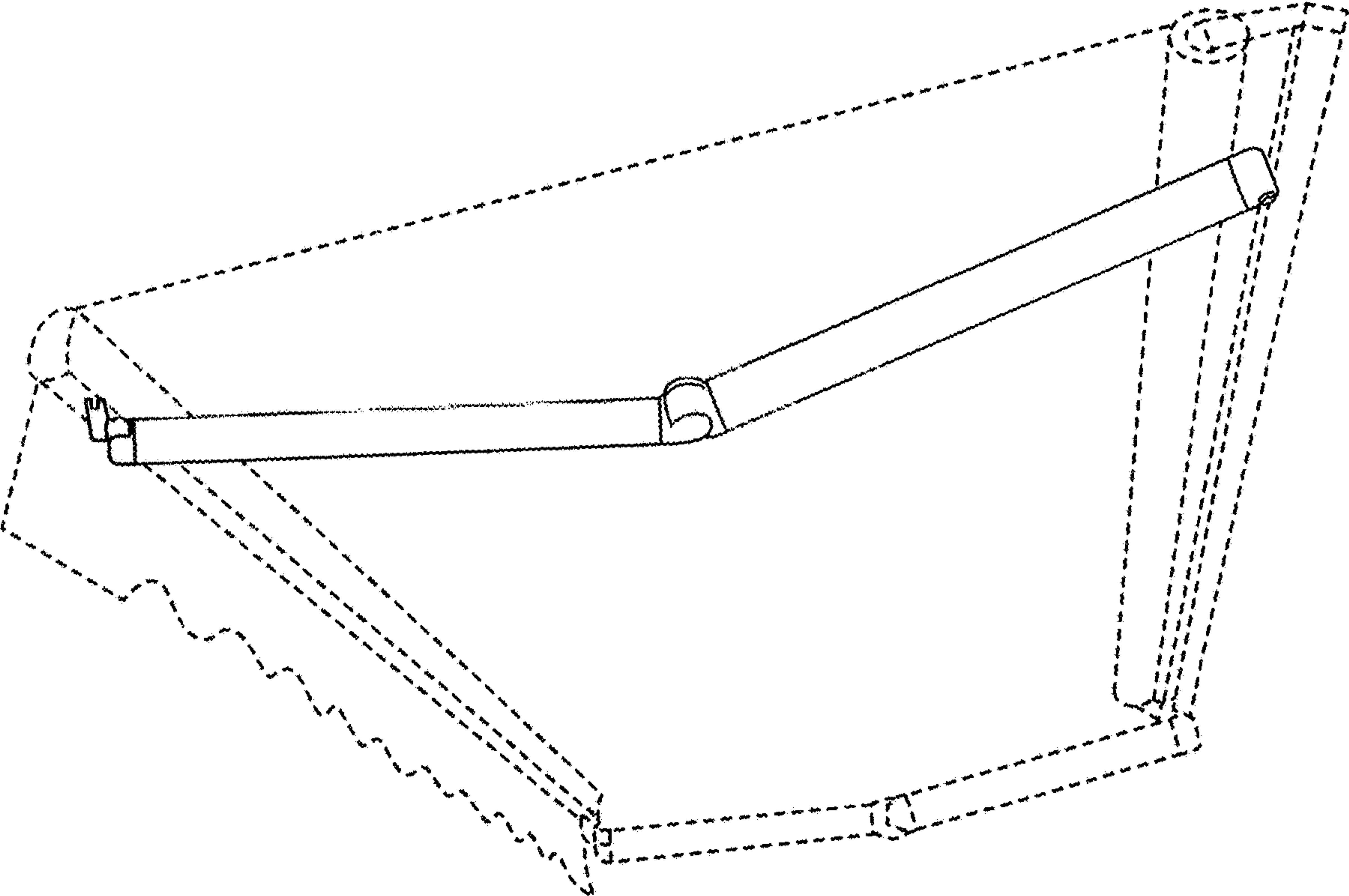


FIG. 17