



US00D852384S

(12) **United States Design Patent**
Marsden

(10) **Patent No.:** **US D852,384 S**
(45) **Date of Patent:** **** Jun. 25, 2019**

- (54) **GATE**
- (71) Applicant: **Elbee Pty Ltd.**, Bondi Junction (AU)
- (72) Inventor: **Andrew Marsden**, Hingham, MA (US)
- (73) Assignee: **Elbee Pty Ltd.**, Bondi Junction (AU)
- (**) Term: **15 Years**
- (21) Appl. No.: **29/613,386**
- (22) Filed: **Aug. 9, 2017**

D626,660 S 11/2010 Bertsch
 D626,661 S 11/2010 Bertsch
 D665,511 S 8/2012 Bertsch
 (Continued)

OTHER PUBLICATIONS

<https://www.lowes.com/pd/Dreambaby-Broadway-Gro-Gate-53-in-x-30-in-White-Metal-Child-Safety-Gate/1000161423> PDF download instructions Jan. 6, 2017 (Year: 2017).*
 (Continued)

Primary Examiner — Leanne Was-Englehart
 (74) *Attorney, Agent, or Firm* — Wolf, Greenfield & Sacks, P.C.

Related U.S. Application Data

- (63) Continuation of application No. 29/538,229, filed on Sep. 2, 2015, now Pat. No. Des. 796,691.
- (51) **LOC (11) Cl.** **25-02**
- (52) **U.S. Cl.**
USPC **D25/48.5**
- (58) **Field of Classification Search**
USPC D25/38.1, 0.9, 48.1, 48.3, 48.5
CPC E06B 9/00; E06B 9/02; E06B 9/04; E06B 9/06; E06B 11/023; E06B 2009/002; E06B 7/32; E05B 65/0007; E05B 41/00; E05C 1/145
See application file for complete search history.

(57) **CLAIM**

The ornamental design for a gate, as shown and described.

DESCRIPTION

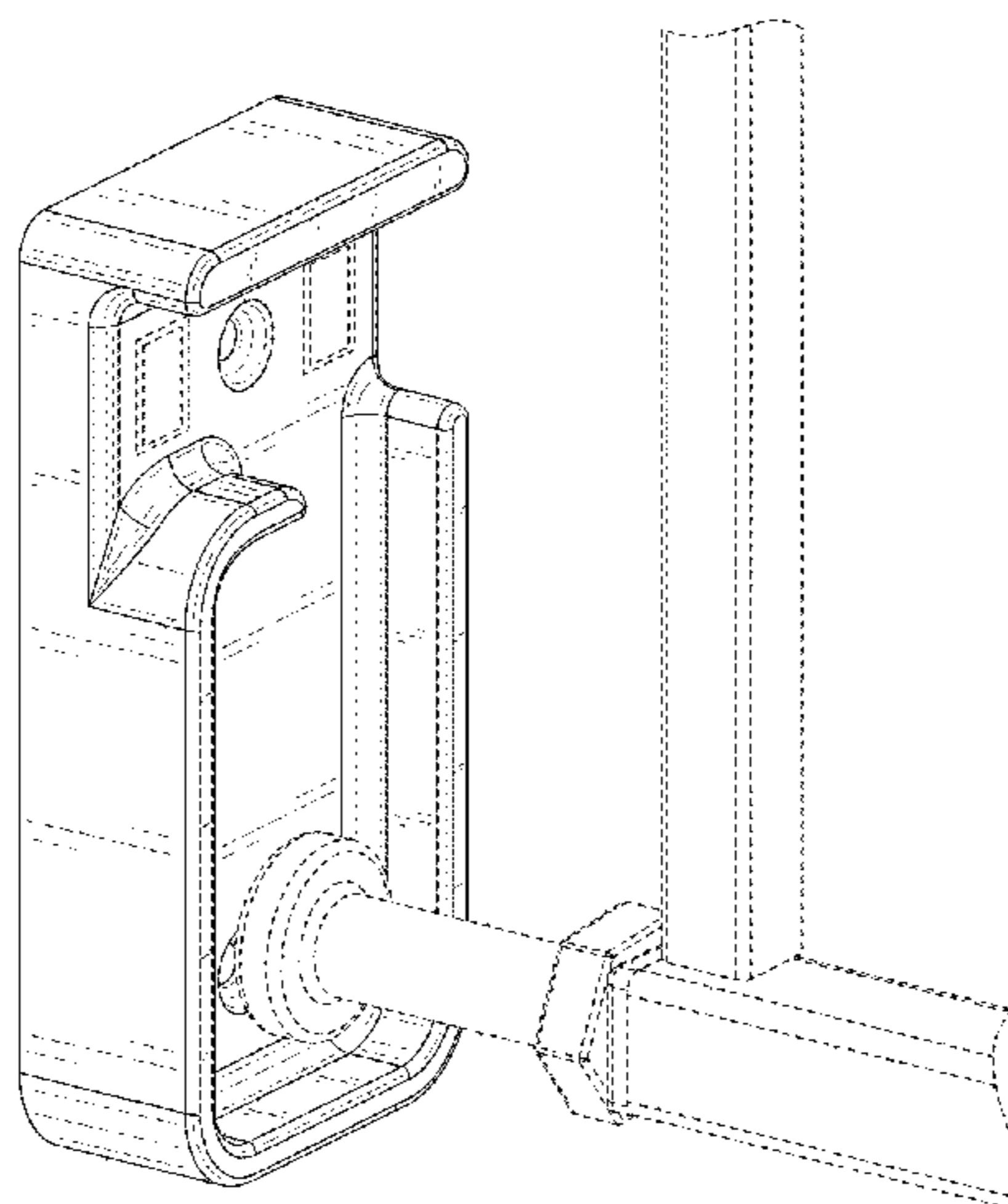
FIG. 1 illustrates a top, front, right side view of a gate showing my new design;
 FIG. 2 illustrates a top, front, left side view thereof;
 FIG. 3 illustrates a front view thereof;
 FIG. 4 illustrates an enlarged fragmentary, top, front, right side view of the gate;
 FIG. 5 illustrates a top, front, right side view thereof;
 FIG. 6 illustrates a front view thereof;
 FIG. 7 illustrates a top, front, right side view thereof;
 FIG. 8 illustrates a right side view thereof;
 FIG. 9 illustrates a left side view thereof;
 FIG. 10 illustrates a front side view thereof;
 FIG. 11 illustrates a rear side view thereof;
 FIG. 12 illustrates a bottom view thereof; and,
 FIG. 13 illustrates a top view thereof.
 The broken lines represent portions of the gate that form no part of the claimed design. The four longest vertical broken lines in FIG. 3 represent environment and form no part of the claimed design.

(56) **References Cited**

U.S. PATENT DOCUMENTS

D341,207 S	11/1993	Freese et al.	
D355,261 S	2/1995	Abrams et al.	
5,396,732 A	3/1995	Andersen	
D397,448 S	8/1998	Brevi	
6,176,042 B1	1/2001	Rossmann et al.	
6,301,832 B1	10/2001	Andersen	
6,536,163 B1 *	3/2003	Monahan E05B 65/0014 292/336.3
6,711,854 B1	3/2004	Andersen	
D583,070 S	12/2008	Lai	
7,565,769 B2 *	7/2009	Monahan E06B 9/04 49/394

1 Claim, 12 Drawing Sheets



(56)

References Cited

U.S. PATENT DOCUMENTS

8,341,886 B2 1/2013 Yates
 D681,848 S 5/2013 Gessford et al.
 9,279,284 B1 3/2016 Axelrod et al.
 9,366,075 B2 6/2016 Marsden et al.
 9,388,603 B2 7/2016 Flannery et al.
 9,464,467 B1 10/2016 Flannery et al.
 9,637,959 B2* 5/2017 Marsden E05C 19/003
 D796,691 S* 9/2017 Marsden D25/48.5
 2002/0157316 A1 10/2002 Andersen
 2004/0045222 A1 3/2004 Hicks
 2006/0081826 A1 4/2006 Cheng
 2006/0092378 A1 5/2006 Marsden et al.
 2006/0185253 A1 8/2006 Marsden et al.
 2007/0131921 A1* 6/2007 Monahan E06B 9/04
 256/73
 2007/0294944 A1 12/2007 Pedersen
 2008/0028681 A1 2/2008 Andersen

2010/0293861 A1 11/2010 Ting et al.
 2012/0117885 A1 5/2012 DeGott
 2013/0086840 A1 4/2013 Marsden et al.
 2015/0089873 A1 4/2015 Marsden et al.
 2015/0101250 A1* 4/2015 Marsden E06B 9/0623
 49/55
 2015/0101253 A1* 4/2015 Marsden E05C 19/003
 49/386
 2015/0259964 A1 9/2015 Linehan et al.
 2017/0058595 A1* 3/2017 Marsden E05B 65/0007

OTHER PUBLICATIONS

[No Author Listed] Product Listing for Dreambaby Broadway Gro-Gate with Track-It Technology—White. Toys R Us. <http://www.toysrus.com/buy/doorway-gates/dreambaby-broadway-gro-gate-with-track-it-technology-white-1853-79938806> [publicly available before Apr. 2016].

* cited by examiner

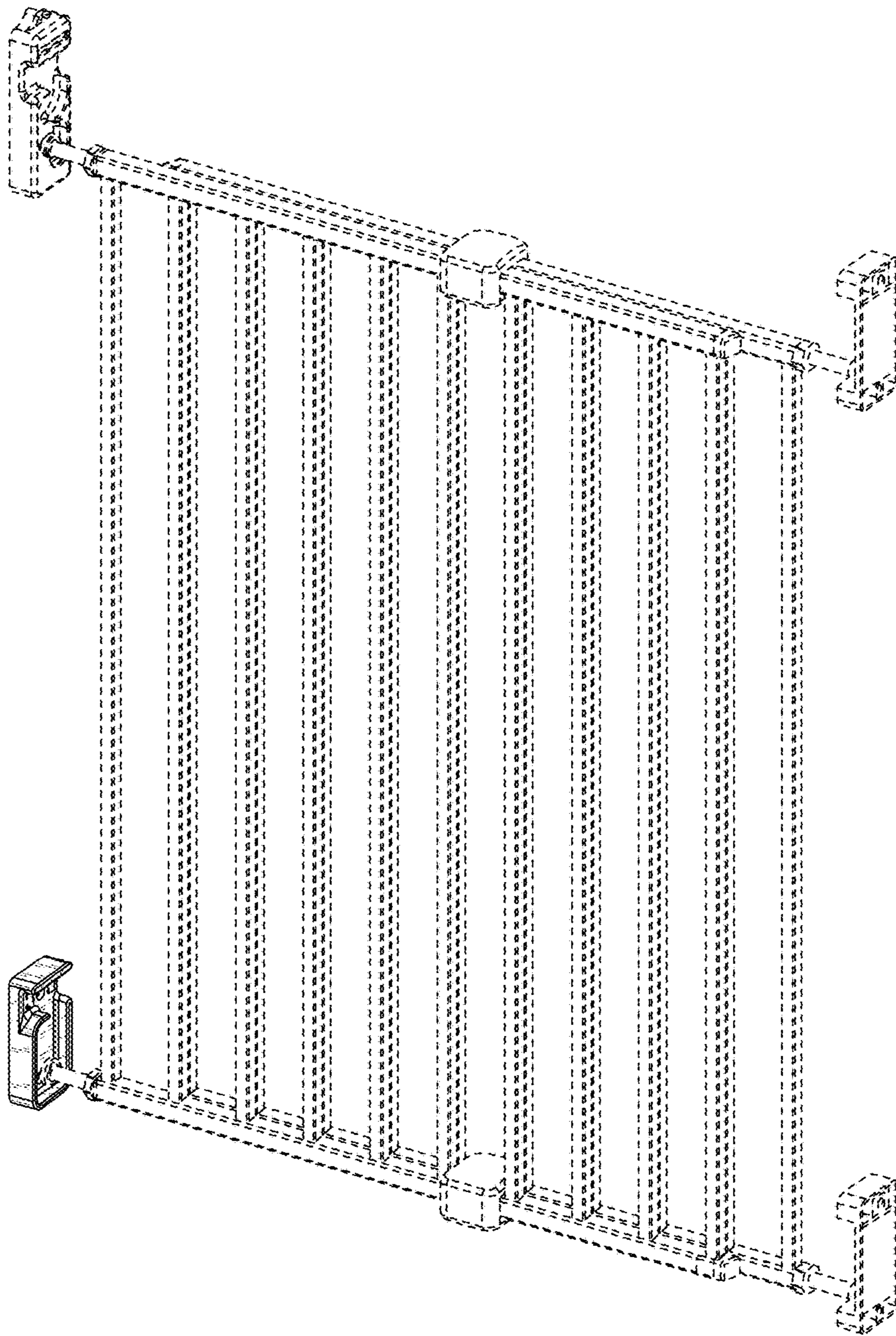


FIG. 1

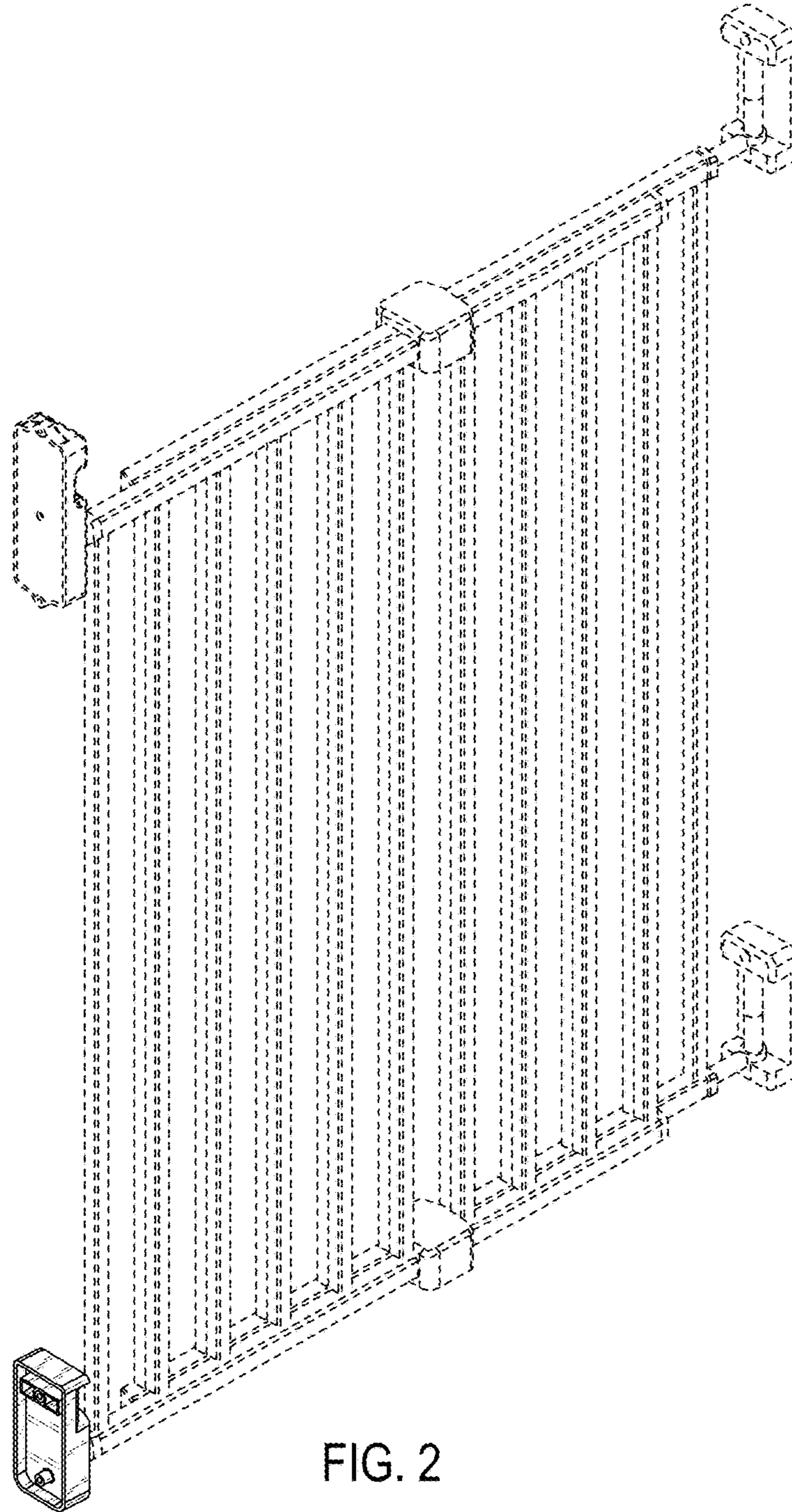


FIG. 2

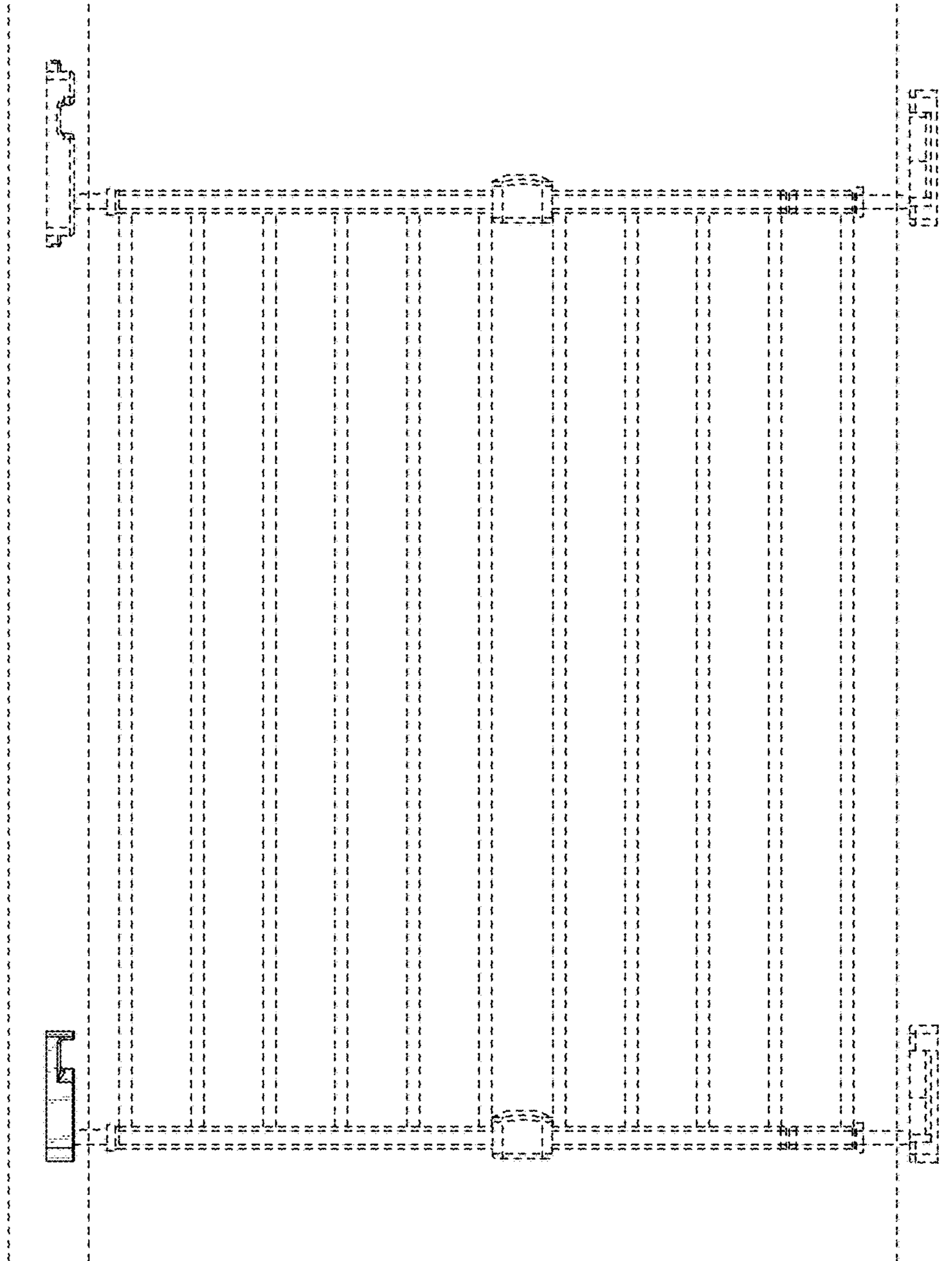


FIG. 3

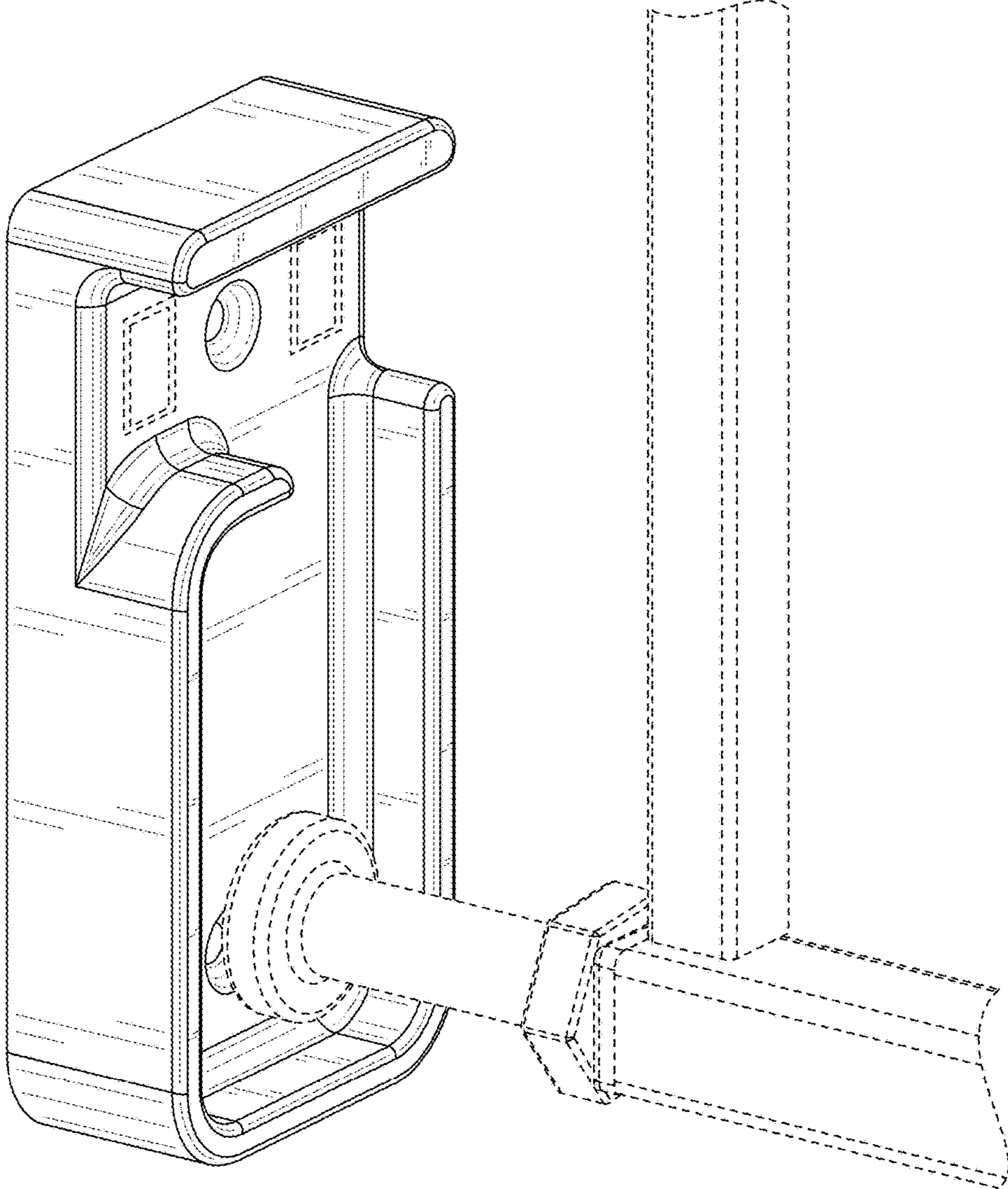


FIG. 4

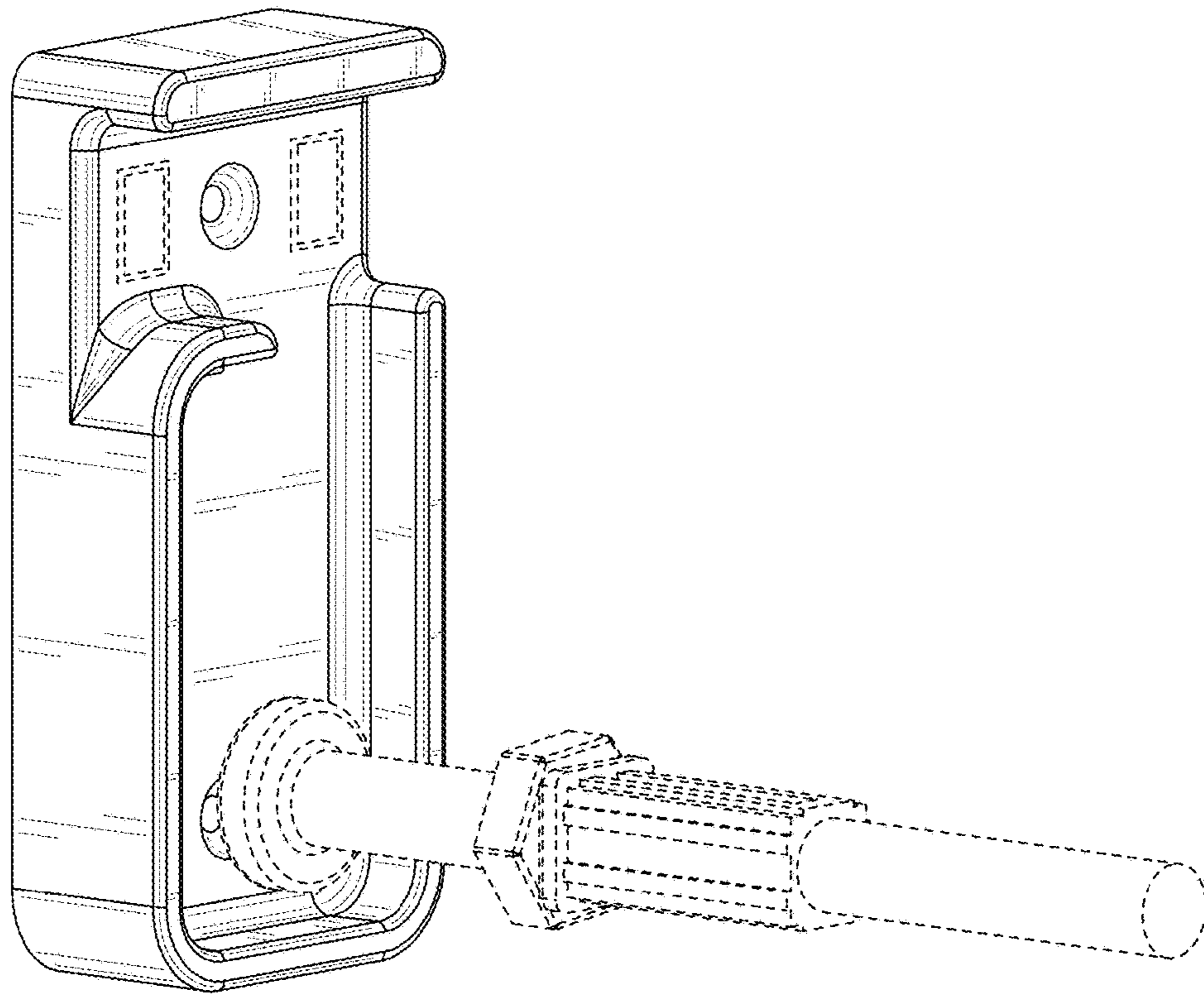


FIG. 5

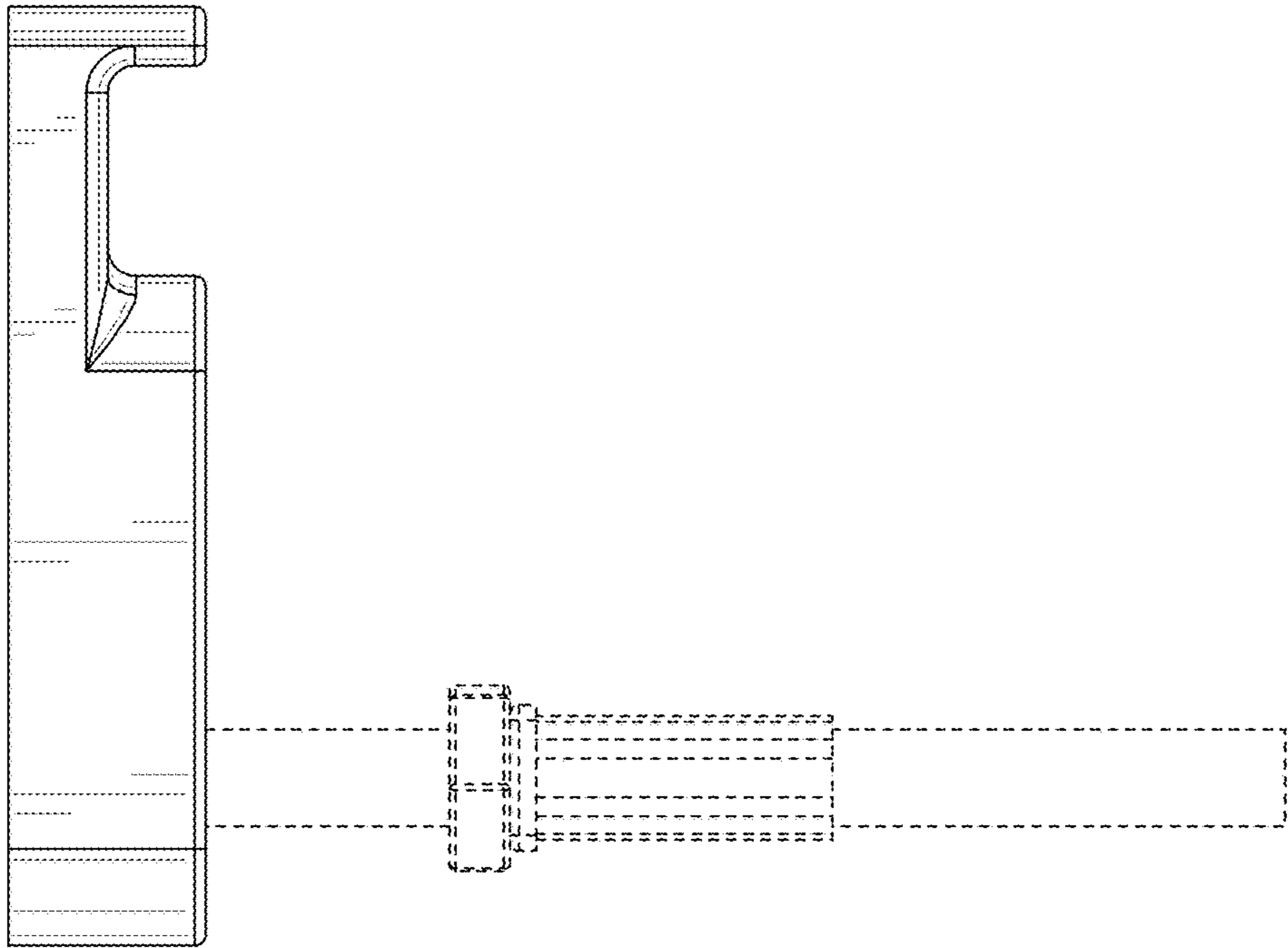


FIG. 6

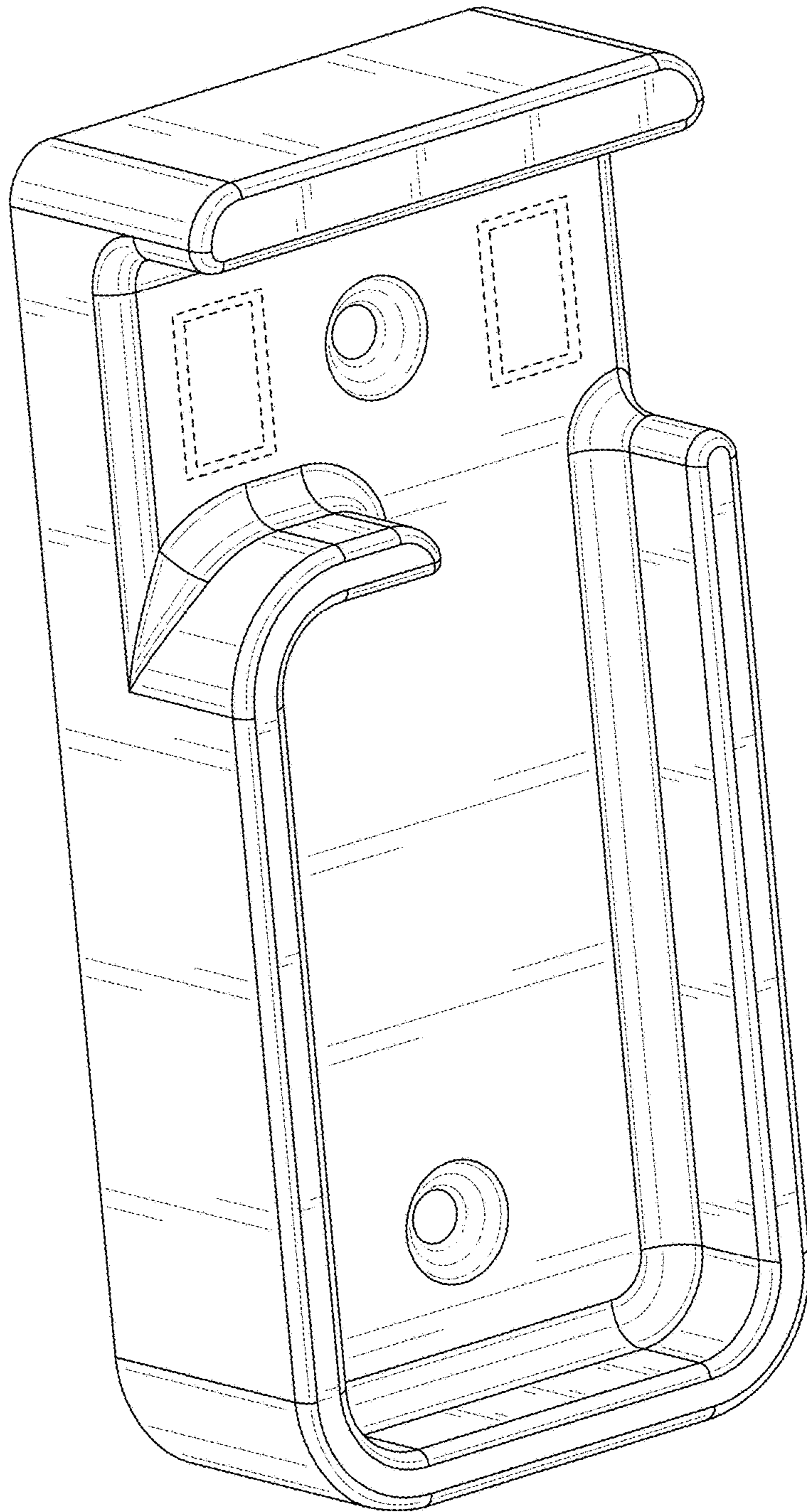


FIG. 7

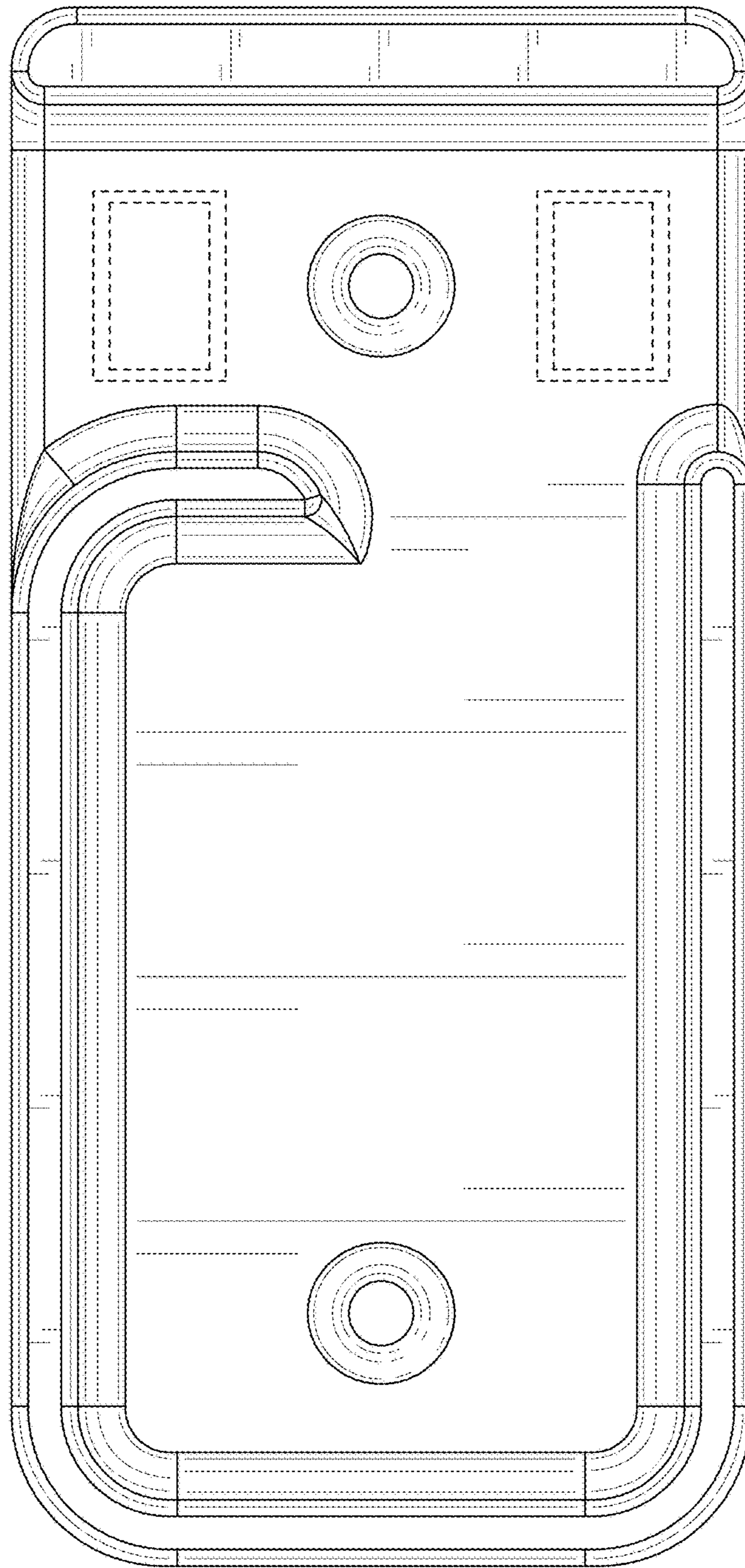


FIG. 8

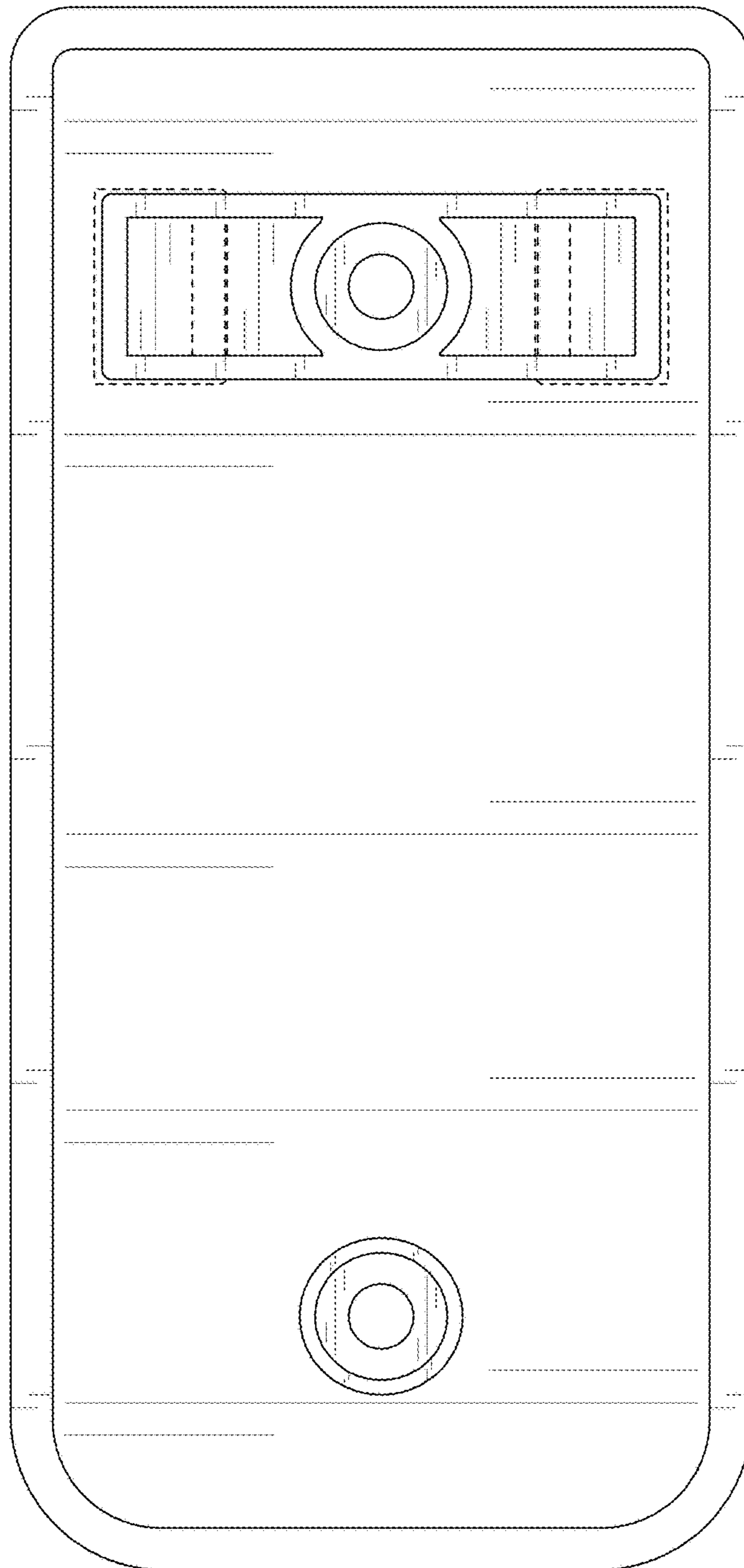


FIG. 9

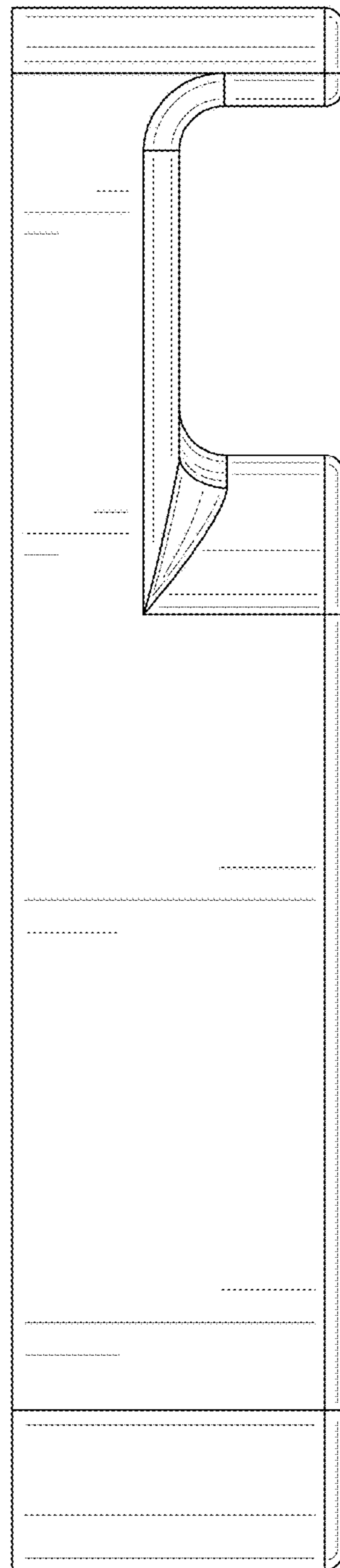


FIG. 10

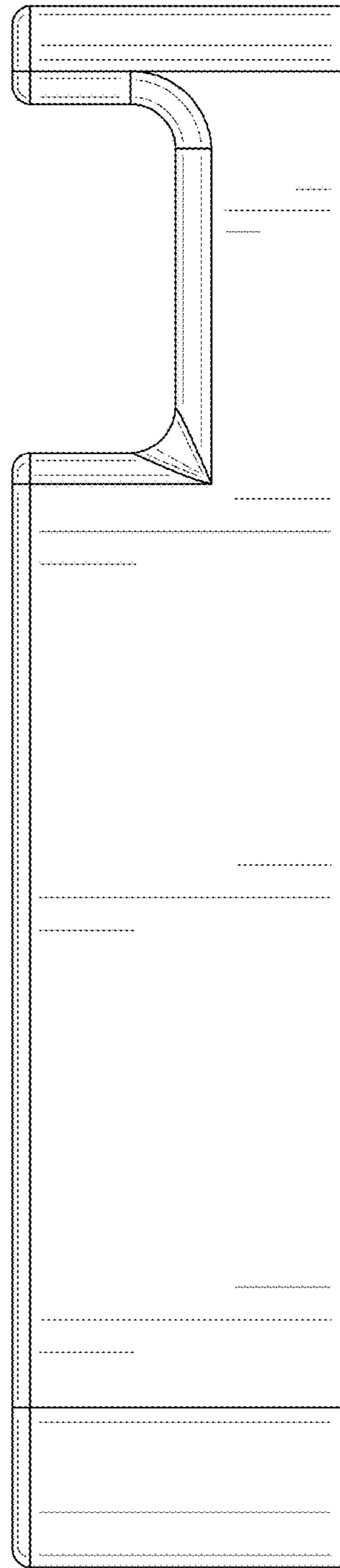


FIG. 11

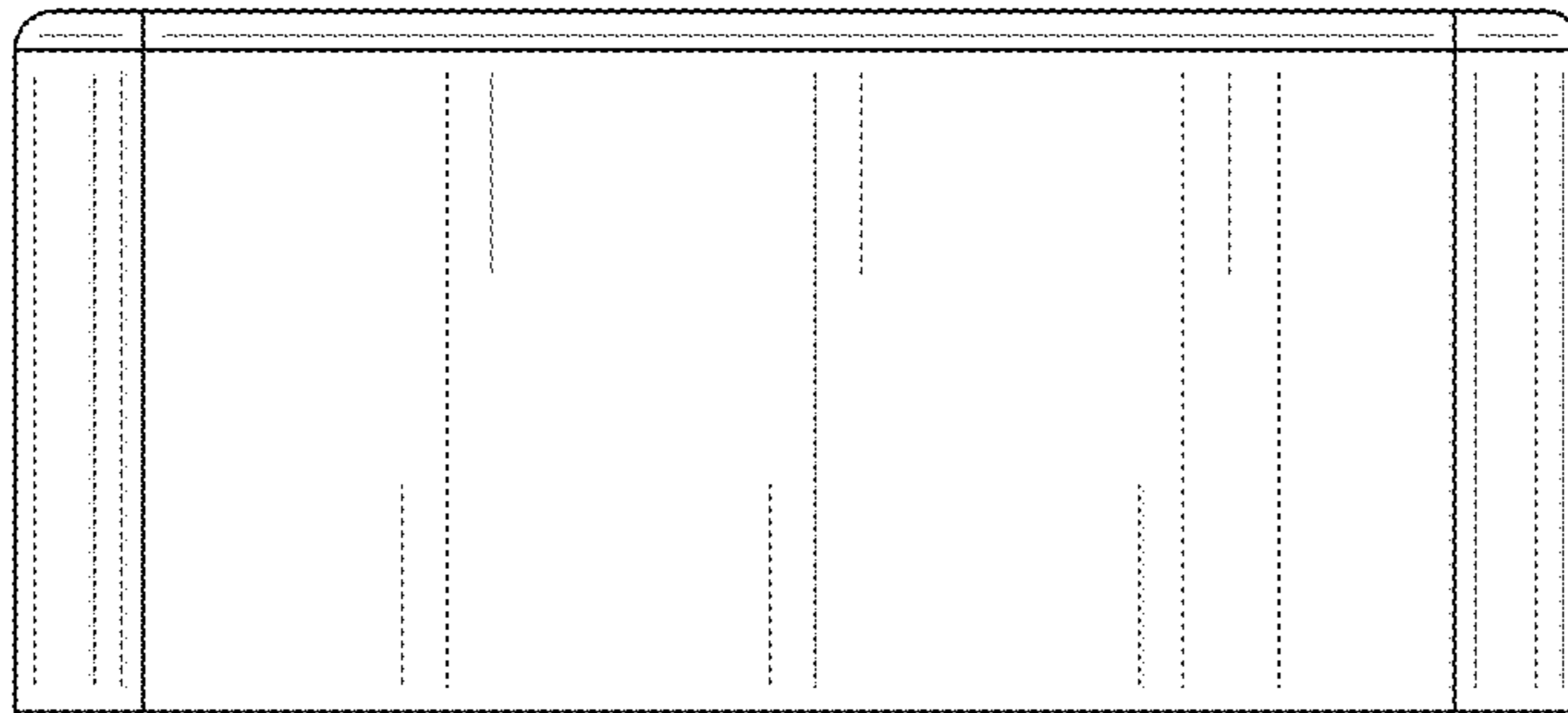


FIG. 12

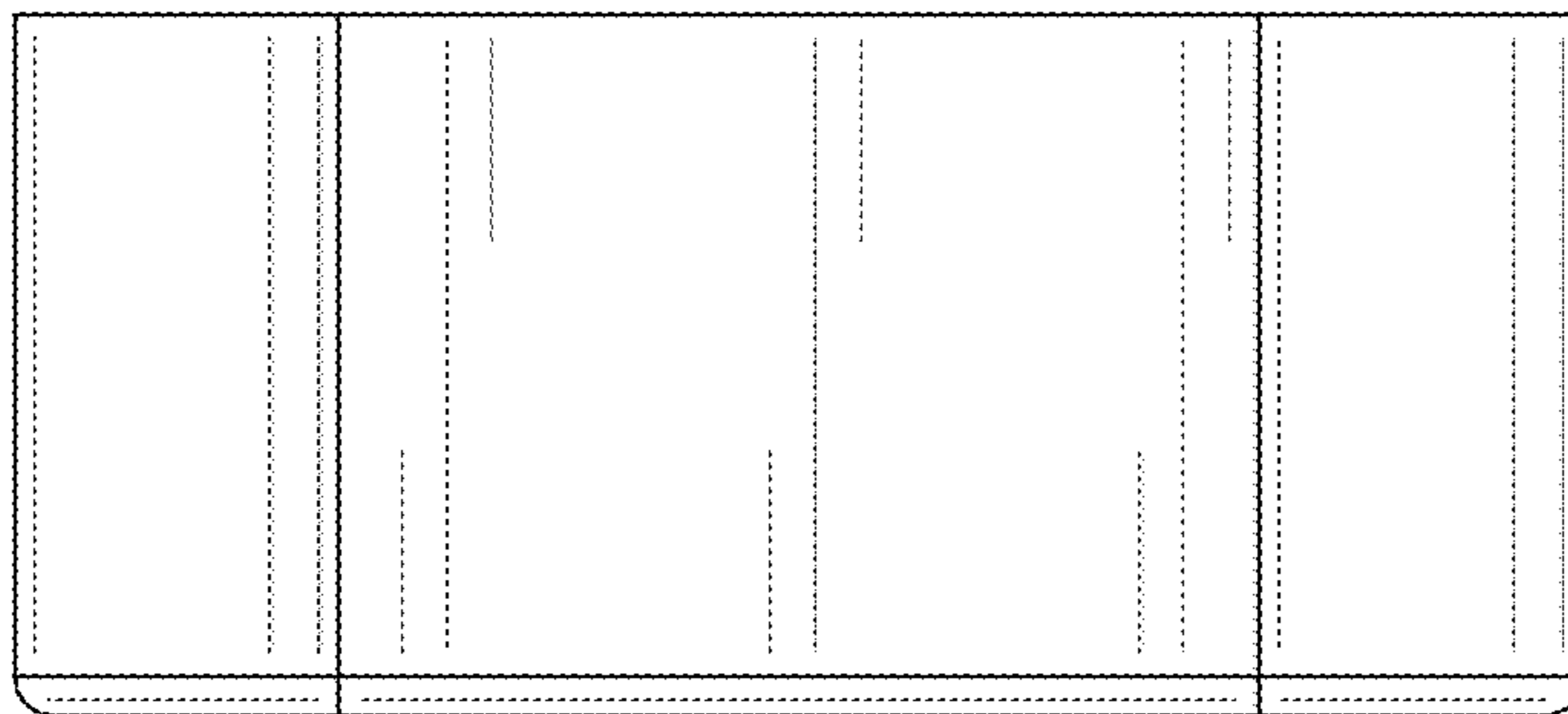


FIG. 13