



US00D852381S

(12) **United States Design Patent**  
**Springborn**

(10) **Patent No.:** **US D852,381 S**

(45) **Date of Patent:** **\*\* Jun. 25, 2019**

(54) **HANDRAIL**

(71) Applicant: **Russell H. Springborn**, Howell, MI  
(US)

(72) Inventor: **Russell H. Springborn**, Howell, MI  
(US)

(\*\*) Term: **15 Years**

(21) Appl. No.: **29/618,702**

(22) Filed: **Sep. 22, 2017**

(51) **LOC (11) Cl.** ..... **25-02**

(52) **U.S. Cl.**  
USPC ..... **D25/38.1**

(58) **Field of Classification Search**  
USPC ..... D25/38.1, 41.1, 42, 43, 44, 119–126,  
D25/131, 132, 164, 199; D34/28, 29  
CPC ..... E04F 11/18; E04F 11/181; E04F 11/1802;  
E04F 11/1808; E04F 11/1834; E04F  
11/1836; E04F 11/1842; E04F 11/1865;  
E04H 2017/1447; E04H 2017/1478;  
E04H 2017/1482; E04H 17/20; E04H  
17/1421; E04H 17/1443; B66C 7/02;  
E01F 15/0453; B63B 17/04

See application file for complete search history.

(56) **References Cited**

**U.S. PATENT DOCUMENTS**

D200,702 S \* 3/1965 Huret ..... D25/121  
3,491,984 A \* 1/1970 Nyberg ..... E04F 11/181  
256/21  
D330,431 S 10/1992 Wang  
D560,823 S \* 1/2008 Holland ..... D25/122  
7,543,802 B2 \* 6/2009 Petta ..... E04F 11/1812  
256/59  
D609,820 S \* 2/2010 Clarke ..... D25/38.1  
D734,495 S \* 7/2015 Walde ..... D25/38.1

D755,988 S \* 5/2016 Walker ..... D25/119  
D782,697 S \* 3/2017 Bizzarri ..... E04F 11/181  
D25/38.1  
9,783,990 B2 10/2017 Walker et al.  
D805,214 S 12/2017 Bizzarri et al.  
D805,653 S 12/2017 Bizzarri et al.  
D806,265 S 12/2017 Bizzarri et al.  
2008/0265232 A1 10/2008 Terrels et al.  
2015/0252588 A1 \* 9/2015 Springborn ..... B23P 19/02  
256/65.05  
2016/0230413 A1 \* 8/2016 Springborn ..... E04H 17/1421  
2016/0362908 A1 \* 12/2016 Springborn ..... E04F 11/1817  
2017/0234015 A1 \* 8/2017 Bizzarri ..... E04F 11/1836  
256/22

**OTHER PUBLICATIONS**

<http://www.ultrarailing.com/> Available Mar. 1, 2018 (Year: 2018).\*  
(Continued)

*Primary Examiner* — Leanne Was-Englehart  
(74) *Attorney, Agent, or Firm* — Dykema Gossett PLLC

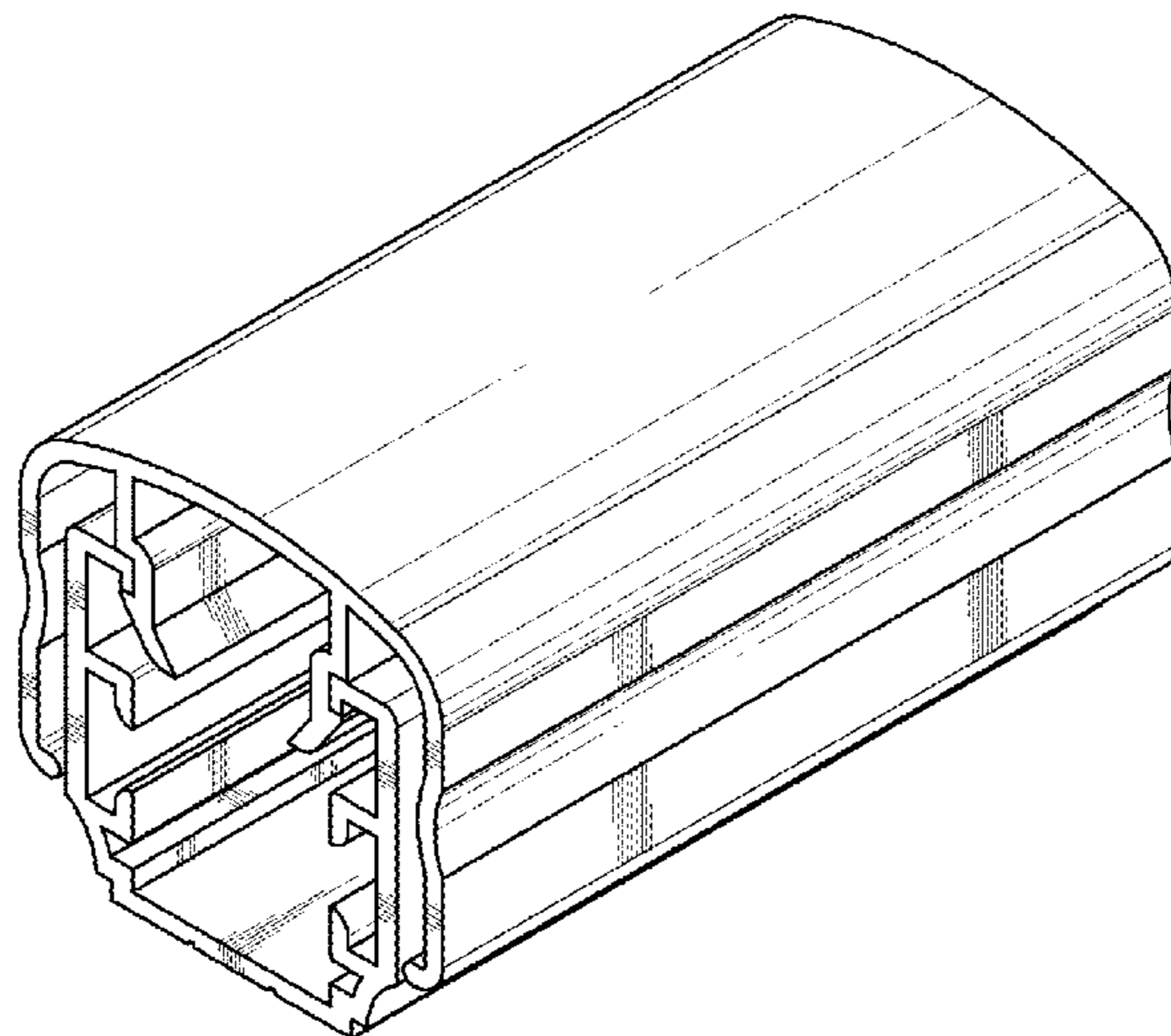
(57) **CLAIM**

The ornamental design for a handrail, as shown and described.

**DESCRIPTION**

This application is related to U.S. design application Ser. No. 29/618,698 filed 22 Sep. 2017 and U.S. design application Ser. No. 29/618,701, filed 22 Sep. 2017.  
FIG. 1 is a top, perspective view of a handrail;  
FIG. 2 is a bottom, perspective view of the handrail;  
FIG. 3 is a right, end view of the handrail;  
FIG. 4 is a left, end view of the handrail;  
FIG. 5 is a top, plan view of the handrail;  
FIG. 6 is a bottom, plan view of the handrail;  
FIG. 7 is a right, side view of the handrail; and,  
FIG. 8 is a left, side view of the handrail.

**1 Claim, 3 Drawing Sheets**



(56)

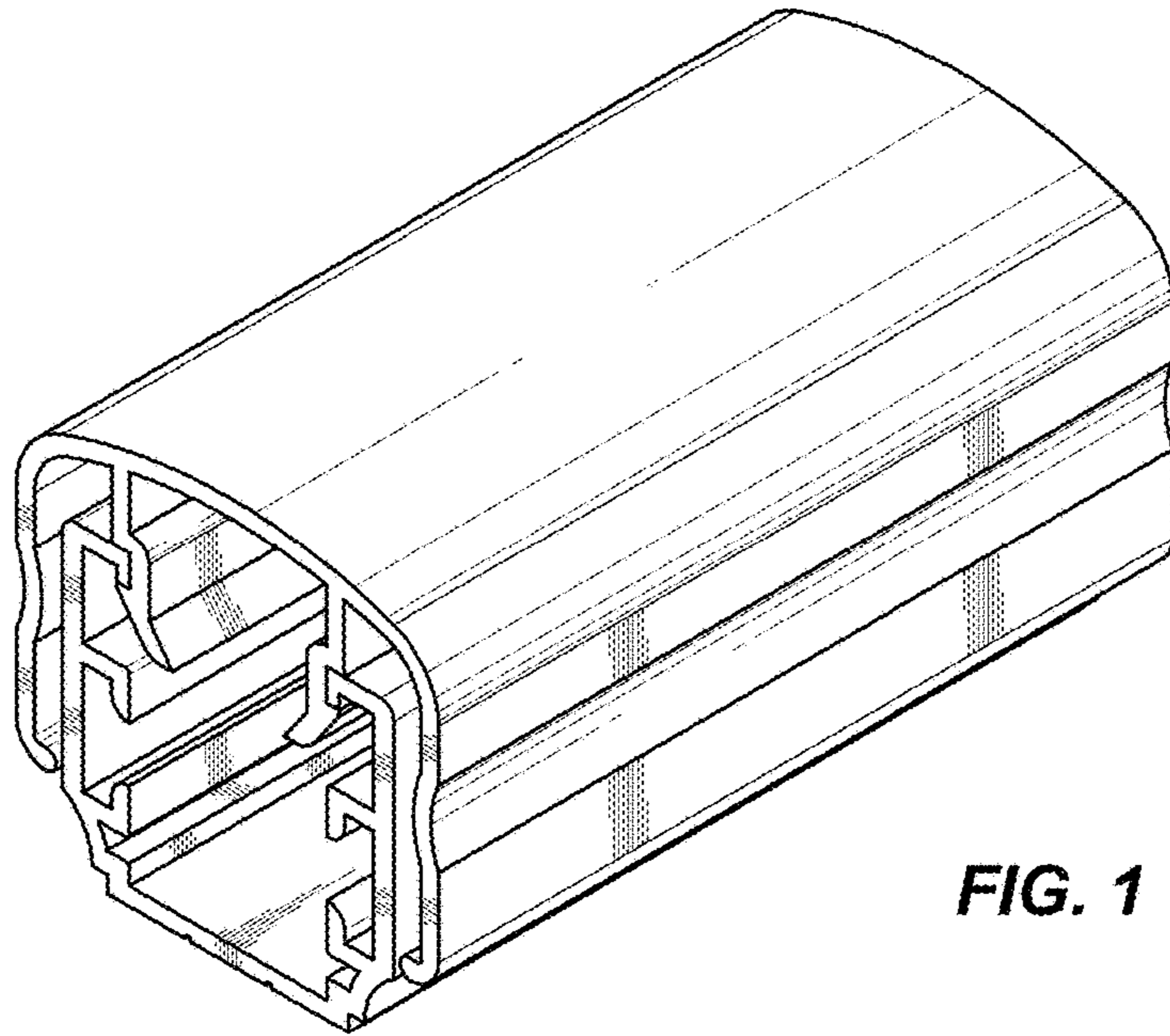
**References Cited**

OTHER PUBLICATIONS

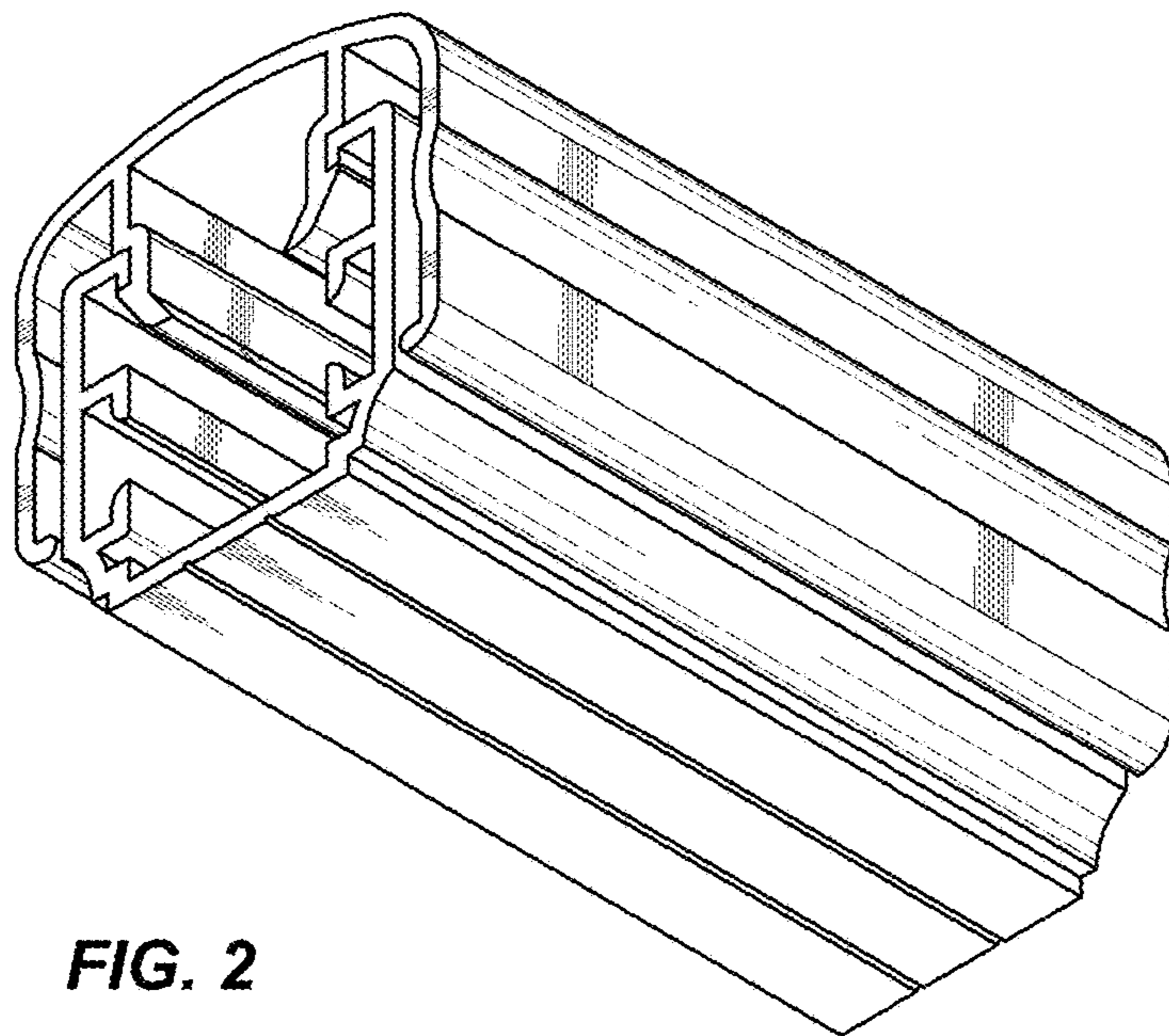
[http://www.ultramaxrailing.com/assets/files/2018/brochures/  
UltraMaxReadyToBuildRailing.pdf](http://www.ultramaxrailing.com/assets/files/2018/brochures/UltraMaxReadyToBuildRailing.pdf) Dec. 20, 2017 (Year: 2017).\*

[http://www.ultrannaxrailing.com/assets/files/2018/brochures/  
UltraMaxLevelRailing.pdf](http://www.ultrannaxrailing.com/assets/files/2018/brochures/UltraMaxLevelRailing.pdf) Dec. 18, 2017 (Year: 2017).

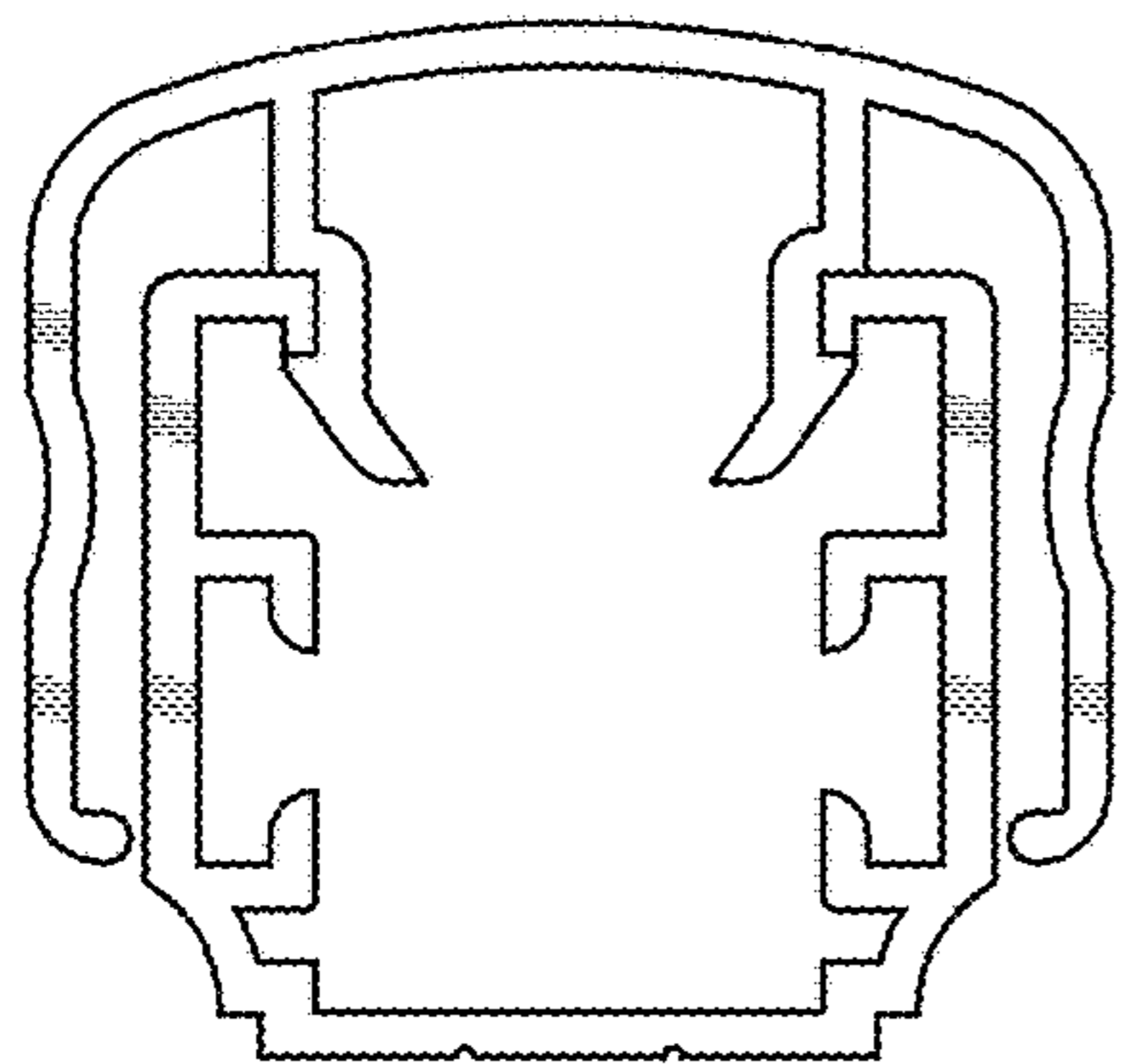
\* cited by examiner



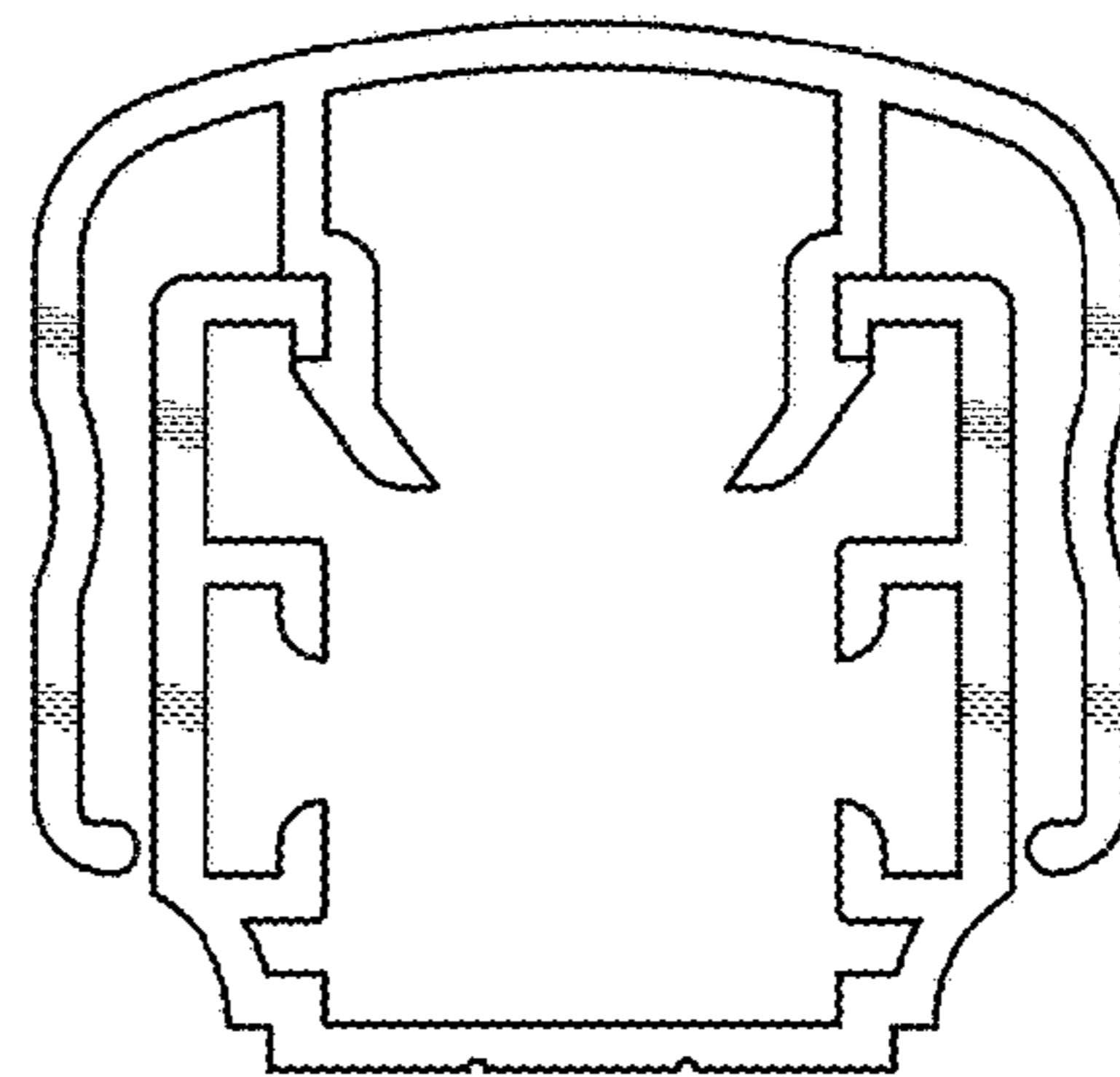
**FIG. 1**



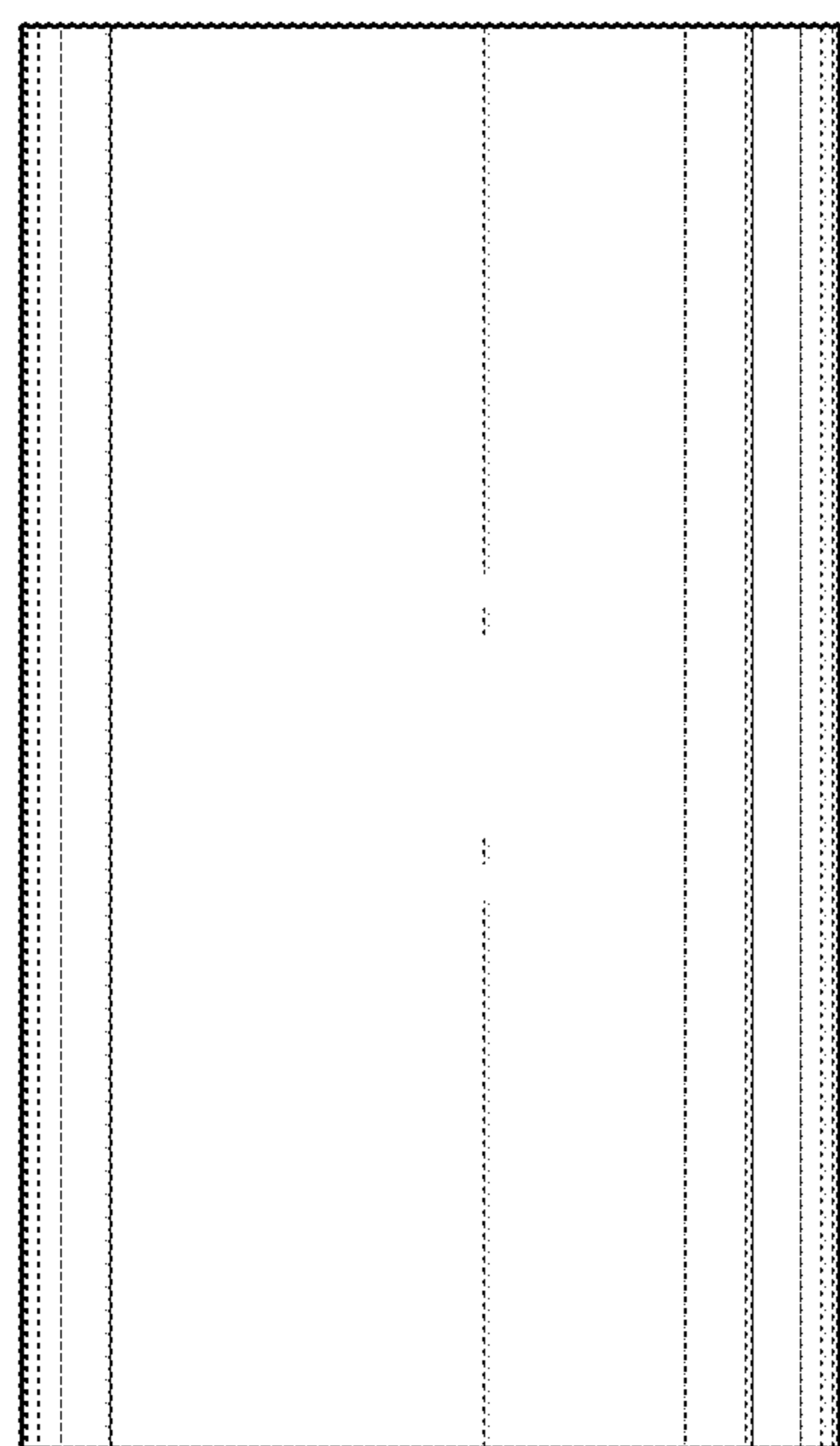
**FIG. 2**



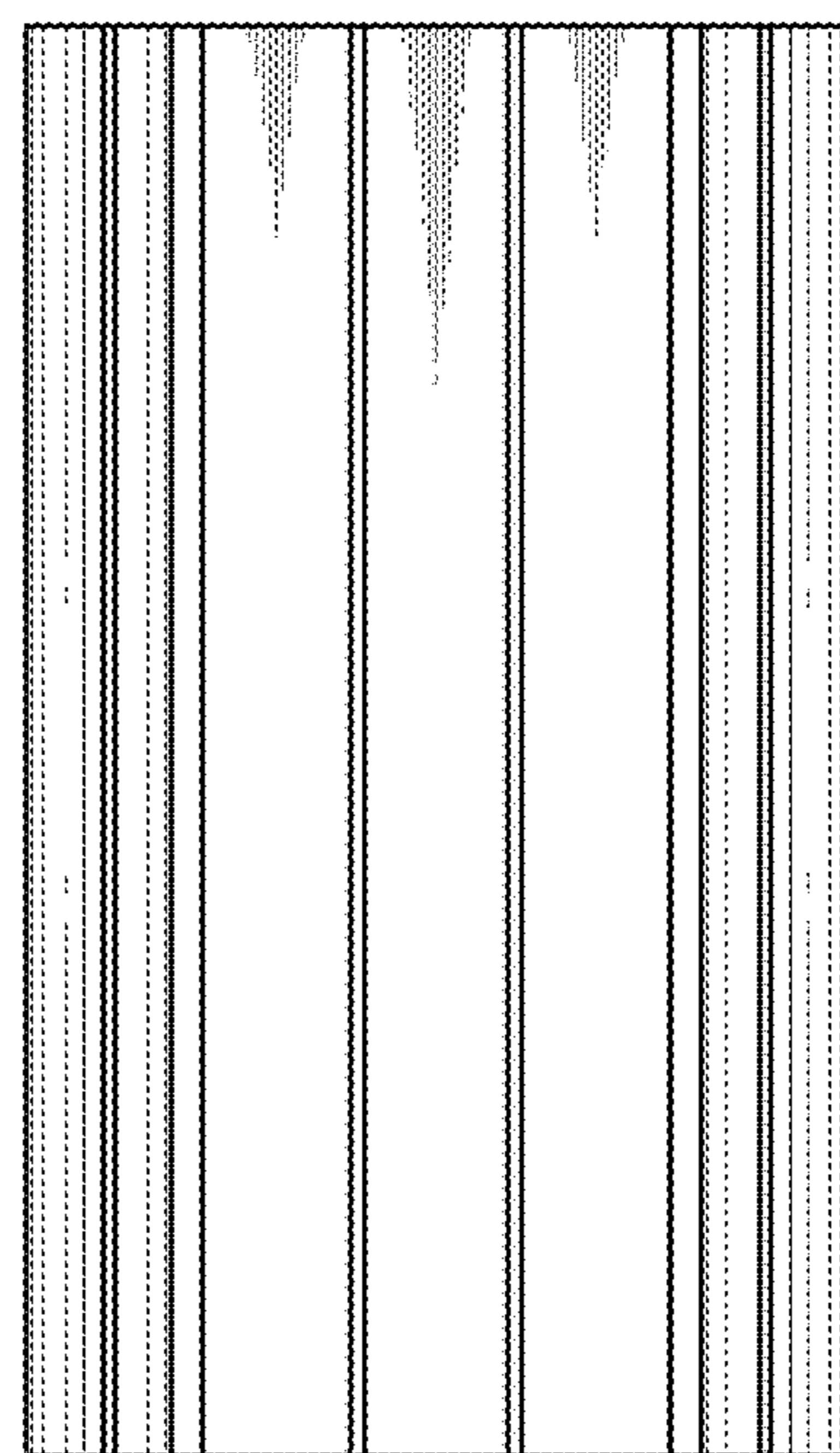
**FIG. 3**



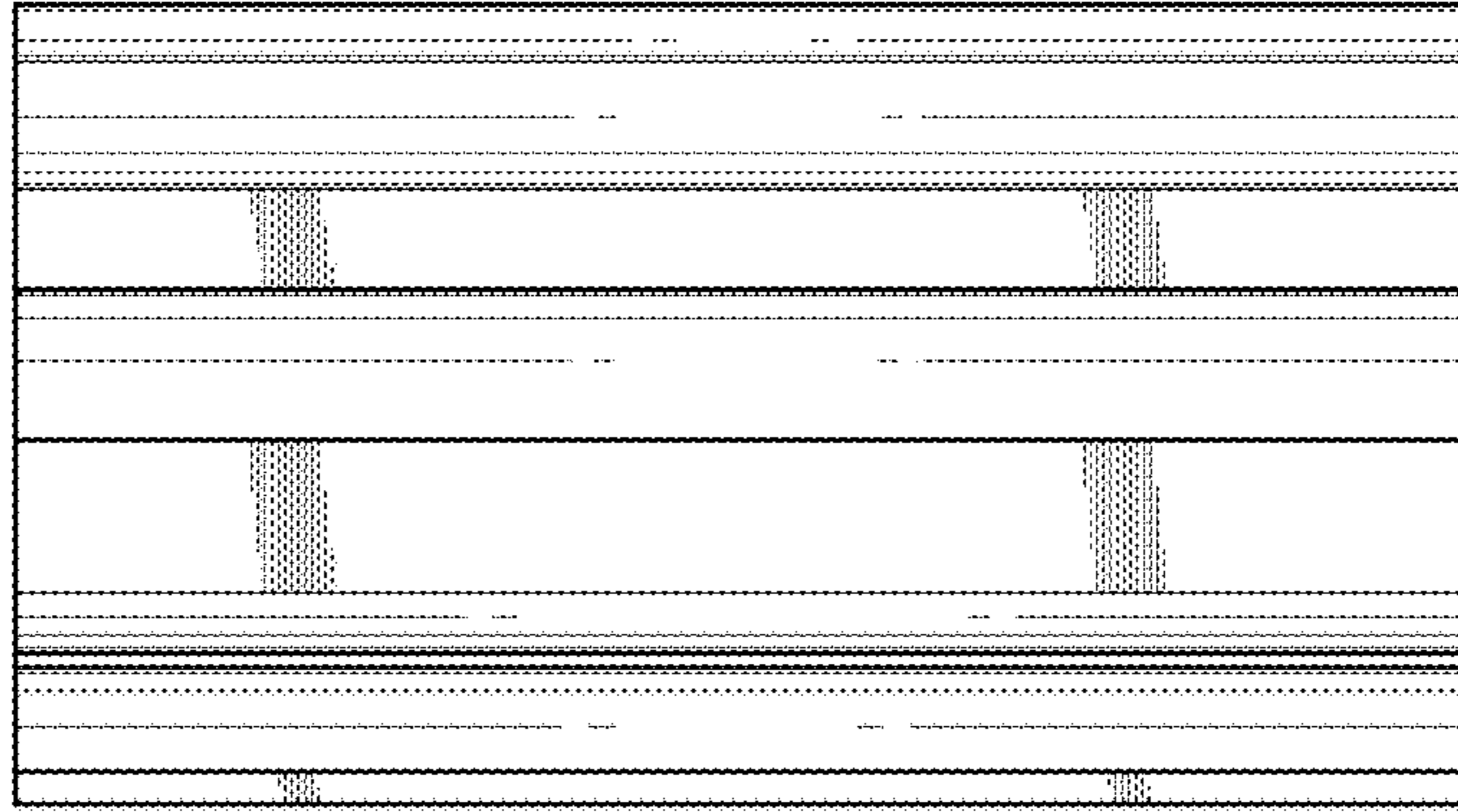
**FIG. 4**



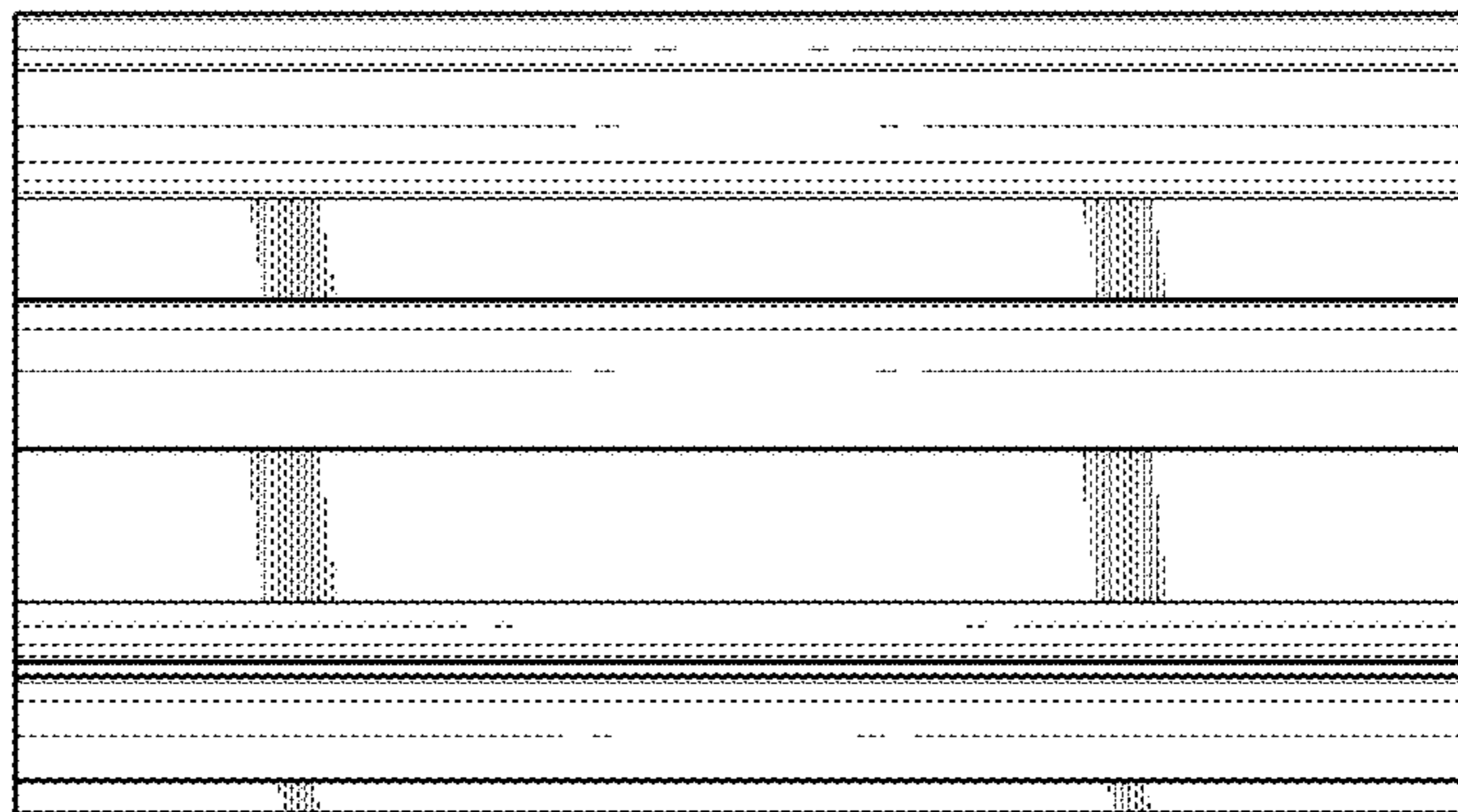
**FIG. 5**



**FIG. 6**



**FIG. 7**



**FIG. 8**