



US00D852380S

(12) **United States Design Patent** (10) **Patent No.:** **US D852,380 S**  
**Springborn** (45) **Date of Patent:** **\*\* Jun. 25, 2019**

(54) **HANDRAIL**  
(71) Applicant: **Russell H. Springborn**, Howell, MI (US)  
(72) Inventor: **Russell H. Springborn**, Howell, MI (US)

D805,214 S \* 12/2017 Bizzarri ..... D25/38.1  
D805,653 S 12/2017 Bizzarri et al.  
D806,265 S 12/2017 Bizzarri et al.  
2008/0265232 A1 10/2008 Terrels et al.  
2015/0252588 A1 9/2015 Springborn  
2016/0230413 A1 8/2016 Springborn  
2016/0362908 A1\* 12/2016 Springborn ..... E04F 11/1817  
2017/0234015 A1 8/2017 Bizzarri et al.

(\*\*) Term: **15 Years**

**OTHER PUBLICATIONS**

(21) Appl. No.: **29/618,701**  
(22) Filed: **Sep. 22, 2017**  
(51) **LOC (11) Cl.** ..... **25-02**  
(52) **U.S. Cl.**  
USPC ..... **D25/38.1**

<http://www.ultramaxrailing.com/assets/files/2018/brochures/UltraMaxLevelRailing.pdf> Dec. 18, 2017 (Year: 2017).\*  
<http://www.ultramaxrailing.com/assets/files/2018/brochures/UltraMaxReadyToBuildRailing.pdf> Dec. 20, 2017 (Year: 2017).\*  
<http://www.ultrarailing.com/Available> Mar. 1, 2018 (Year: 2018).

\* cited by examiner

(58) **Field of Classification Search**  
USPC ..... D25/38.1, 41.1, 42, 43, 44, 119-126, D25/131, 132, 164, 199; D34/28, 29  
CPC ..... E04F 11/18; E04F 11/181; E04F 11/1802; E04F 11/1808; E04F 11/1834; E04F 11/1836; E04F 11/1842; E04F 11/1865; E04H 2017/1447; E04H 2017/1478; E04H 2017/1482; E04H 17/20; E04H 17/1421; E04H 17/1443; B66C 7/02; E01F 15/0453; B63B 17/04  
See application file for complete search history.

*Primary Examiner* — Leanne Was-Englehart  
(74) *Attorney, Agent, or Firm* — Dykema Gossett PLLC

(57) **CLAIM**

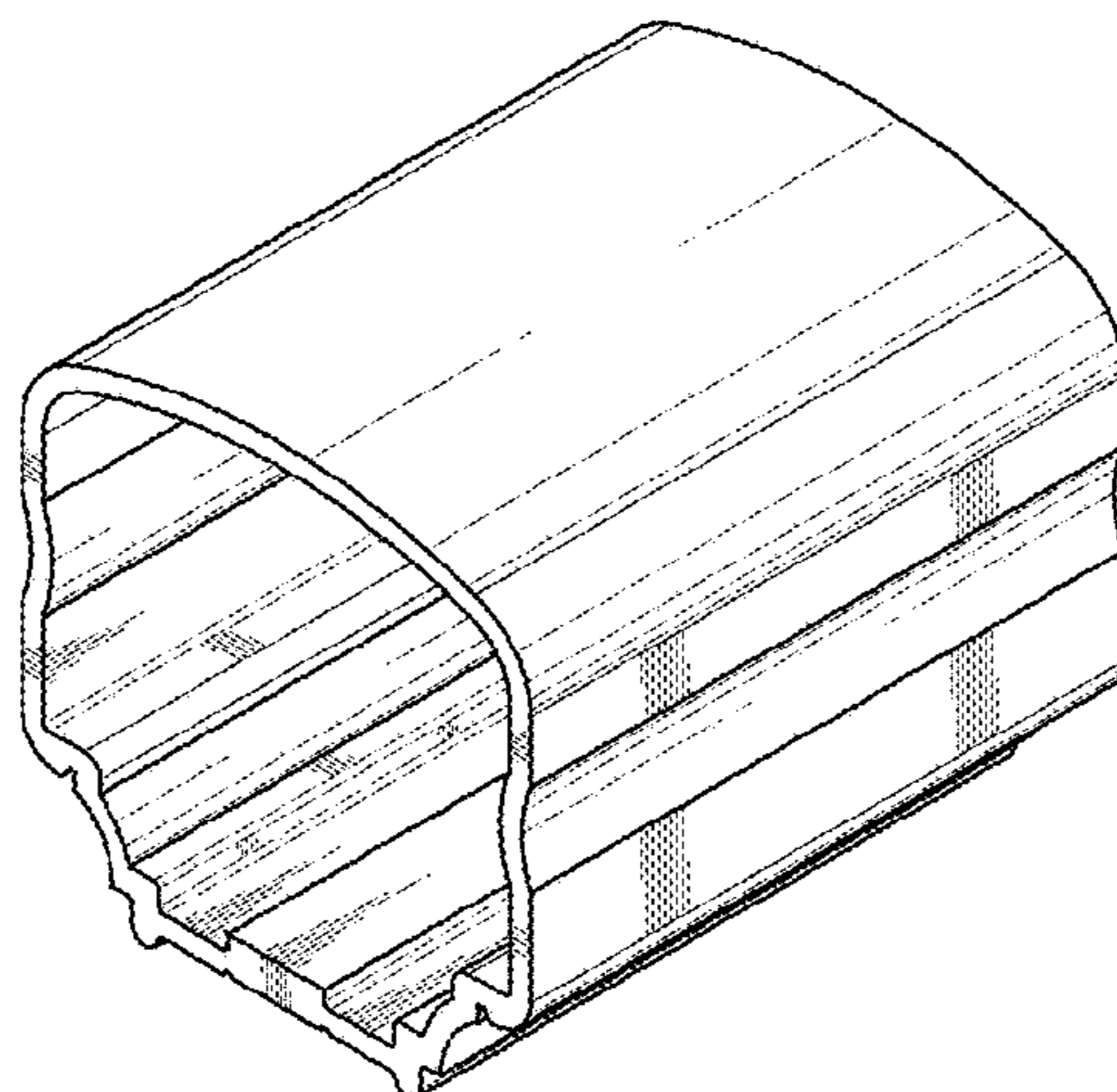
The ornamental design for a handrail, as shown and described.

**DESCRIPTION**

This application is related to U.S. design application Ser. No. 29/618,698 filed 22 Sep. 2017 and U.S. design application Ser. No. 29/618,702, filed 22 Sep. 2017.  
FIG. 1 is a top, perspective view of a handrail;  
FIG. 2 is a bottom, perspective view of the handrail;  
FIG. 3 is a right, end view of the handrail;  
FIG. 4 is a left, end view of the handrail;  
FIG. 5 is a top, plan view of the handrail;  
FIG. 6 is a bottom, plan view of the handrail;  
FIG. 7 is a right, side view of the handrail; and,  
FIG. 8 is a left, side view of the handrail.

(56) **References Cited**  
U.S. PATENT DOCUMENTS  
D200,702 S 3/1965 Huret  
3,491,984 A \* 1/1970 Nyberg ..... E04F 11/181 256/21  
D330,431 S 10/1992 Wang  
D560,823 S \* 1/2008 Holland ..... D25/122  
D609,820 S 2/2010 Clarke et al.  
D734,495 S 7/2015 Walde  
D755,988 S \* 5/2016 Walker ..... D25/119  
D782,697 S 3/2017 Bizzarri et al.  
9,783,990 B2 \* 10/2017 Walker ..... E04F 11/1808

**1 Claim, 3 Drawing Sheets**



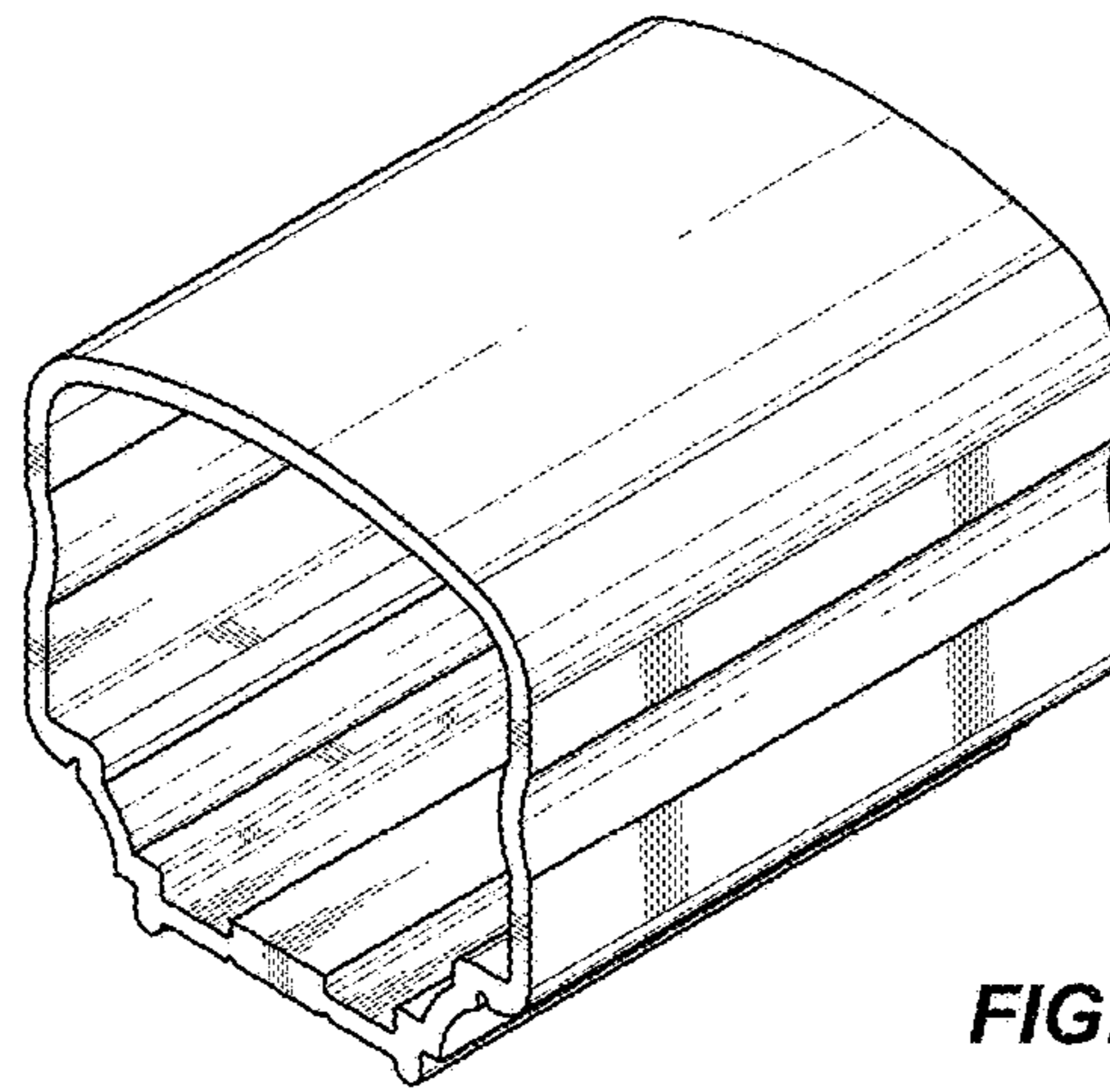


FIG. 1

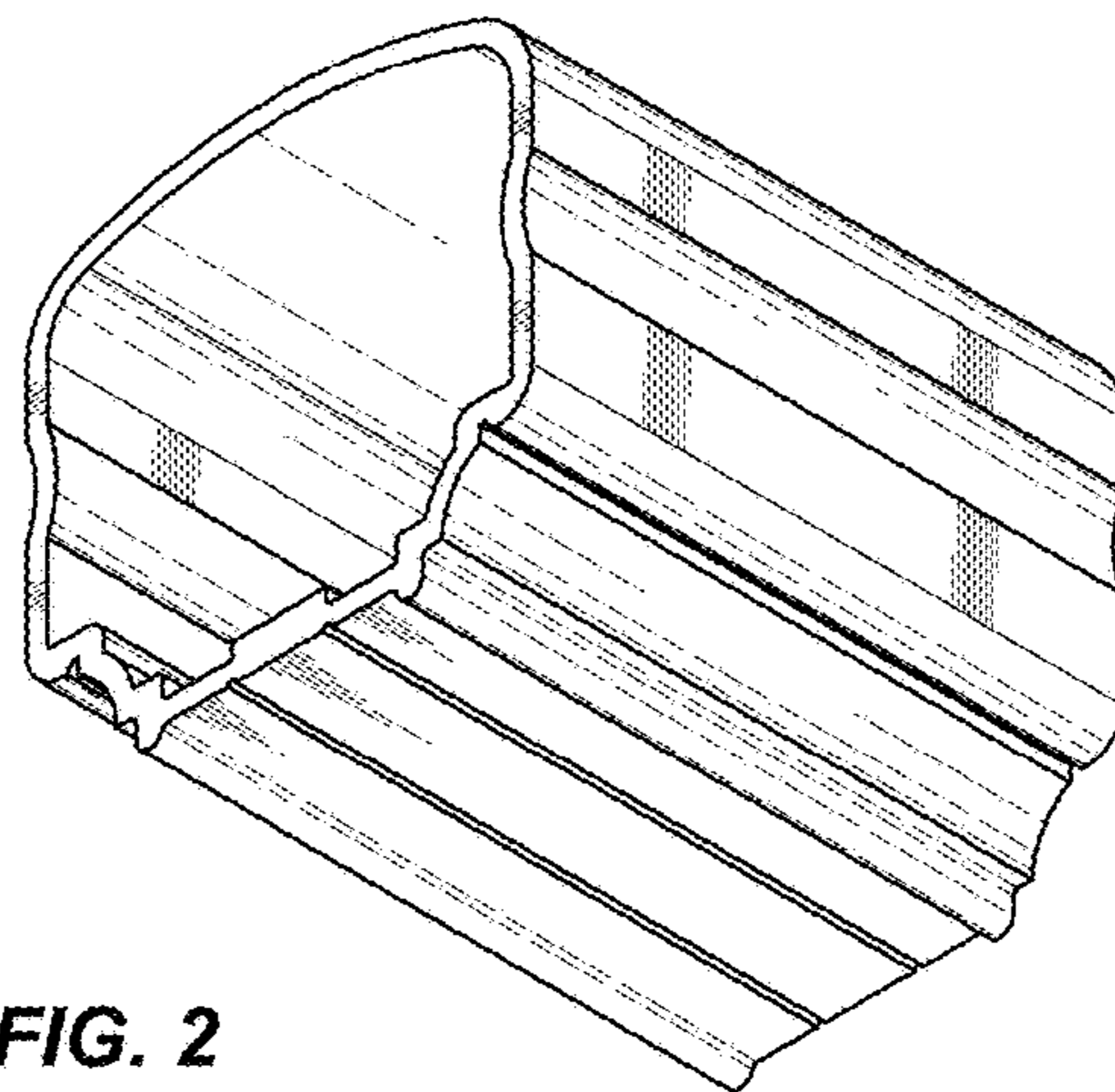
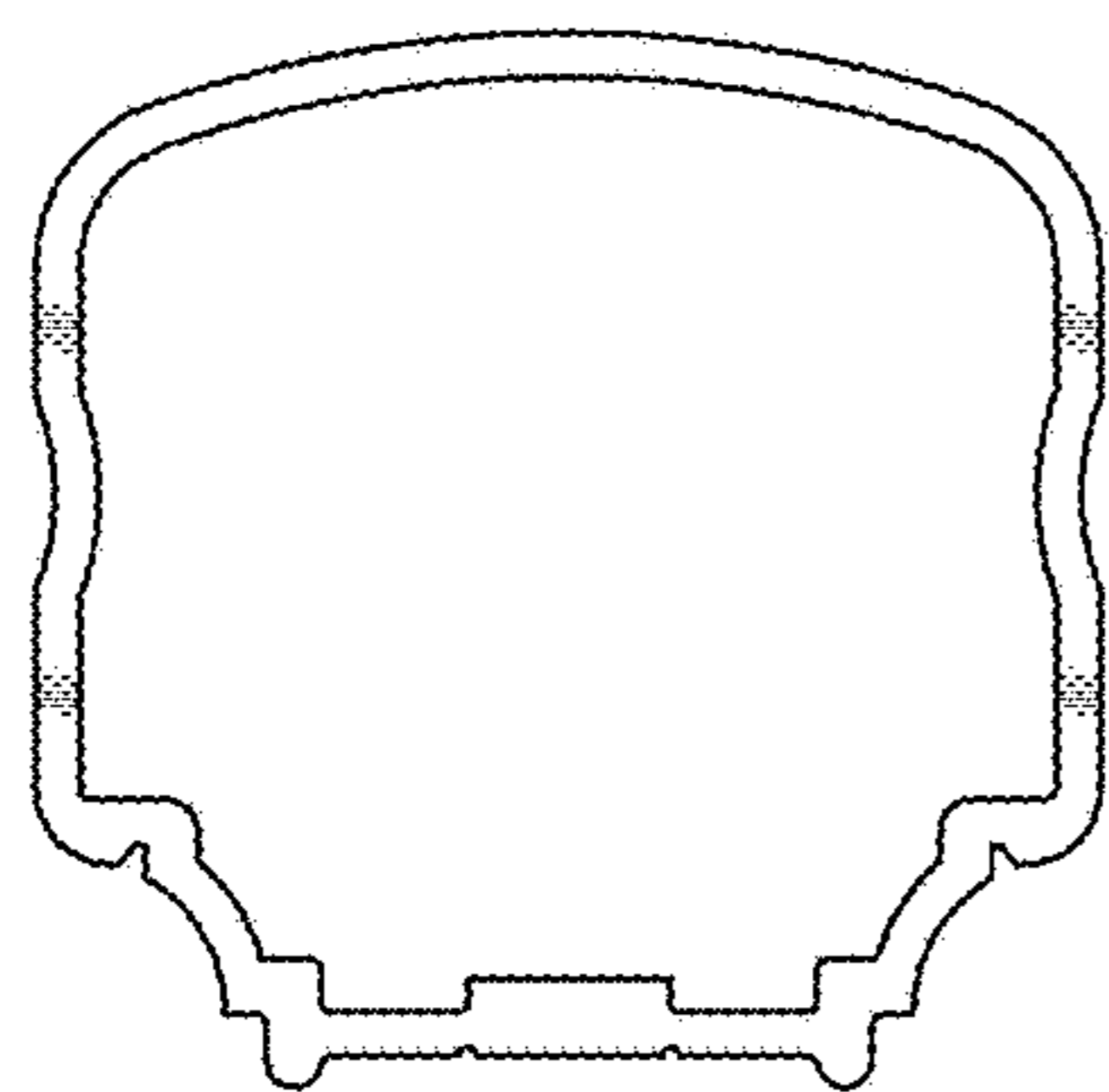
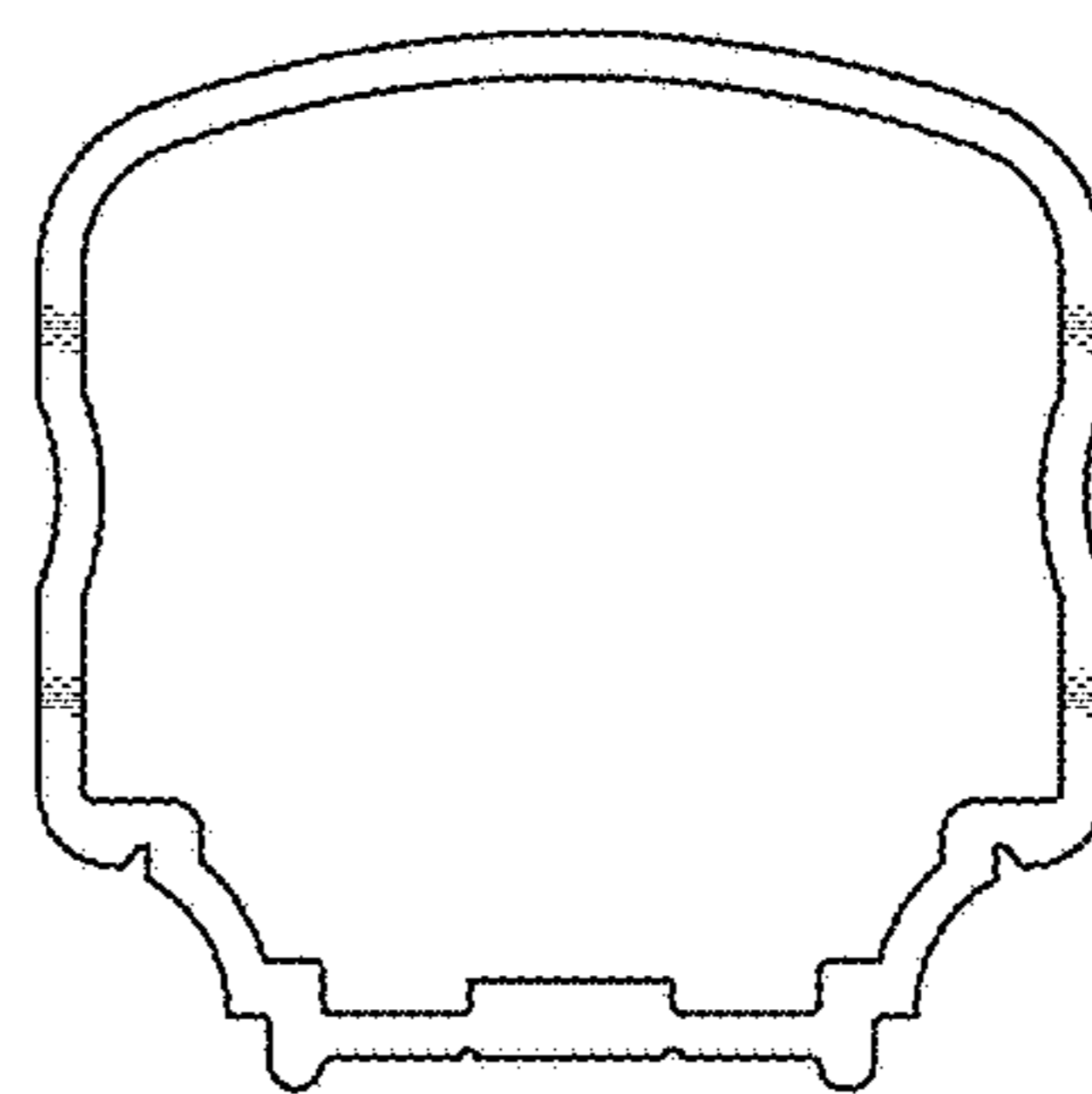


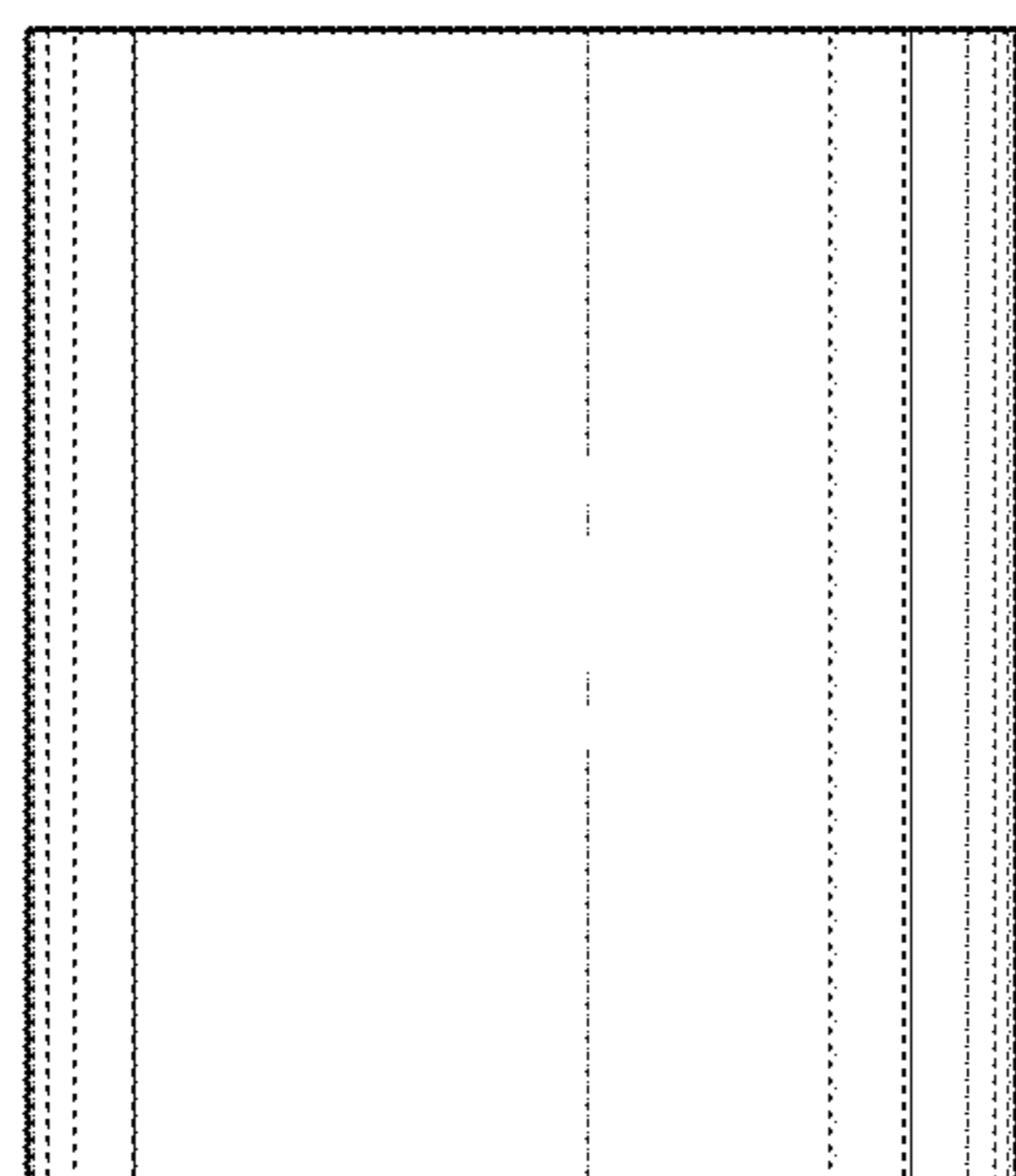
FIG. 2



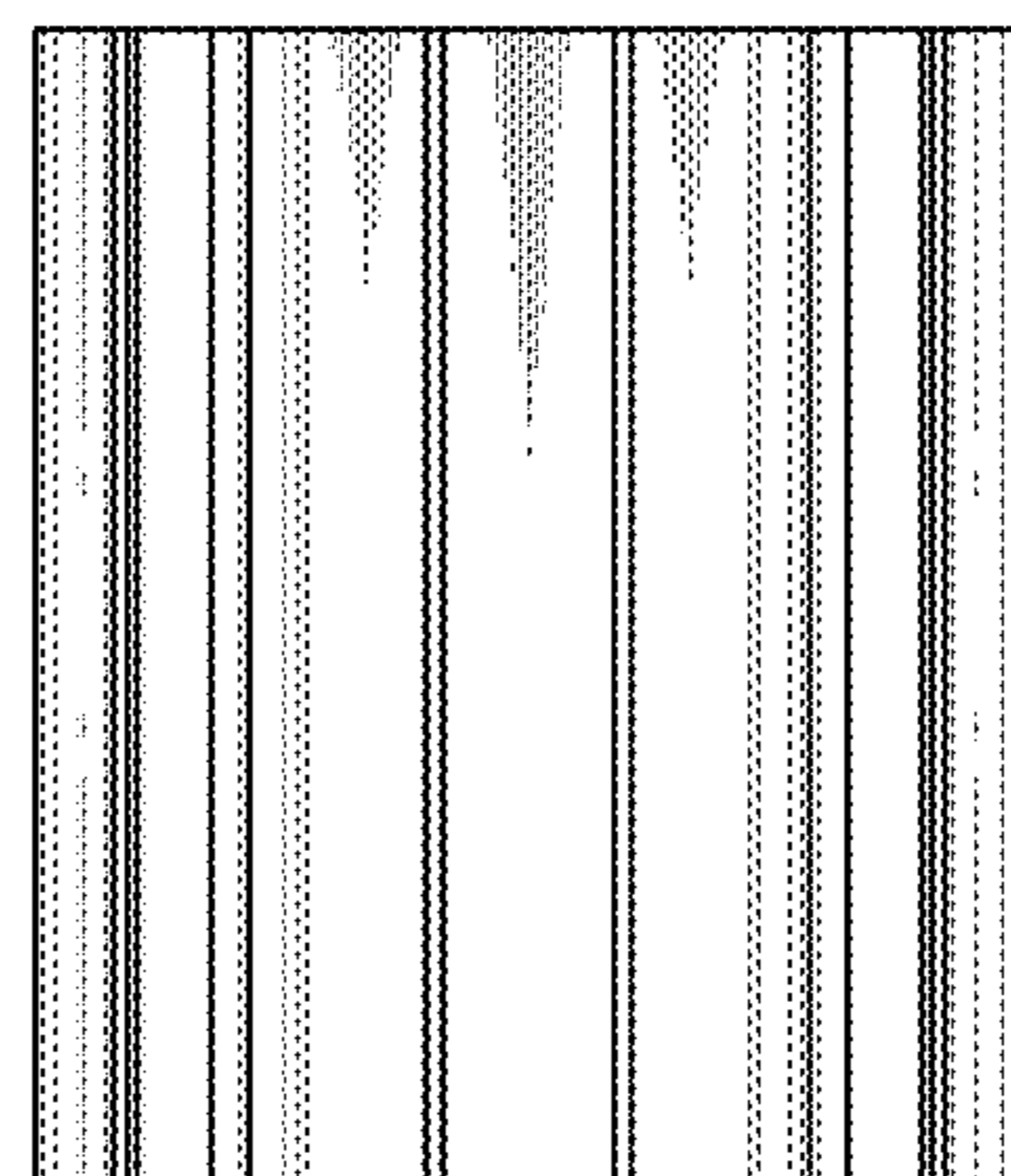
**FIG. 3**



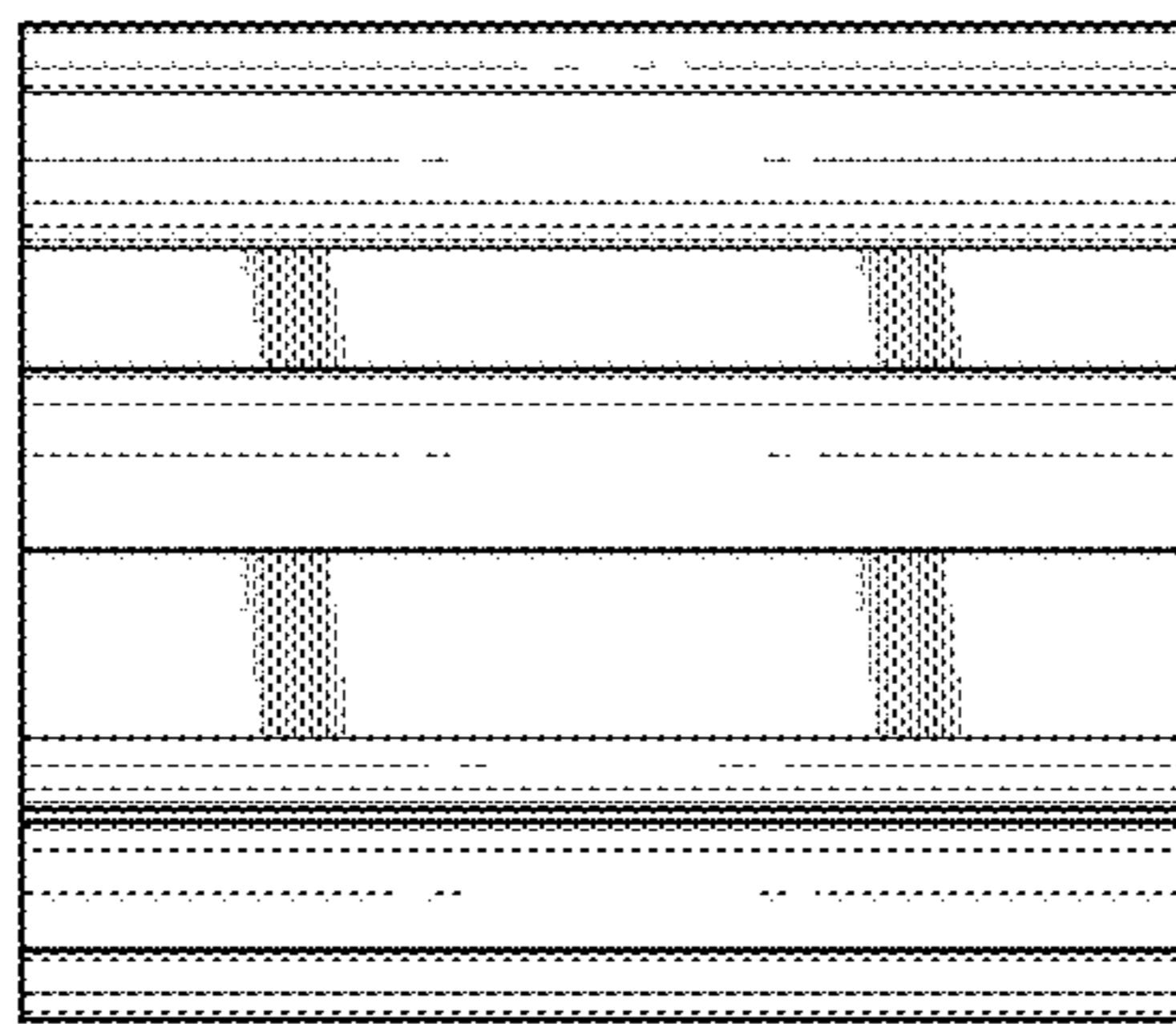
**FIG. 4**



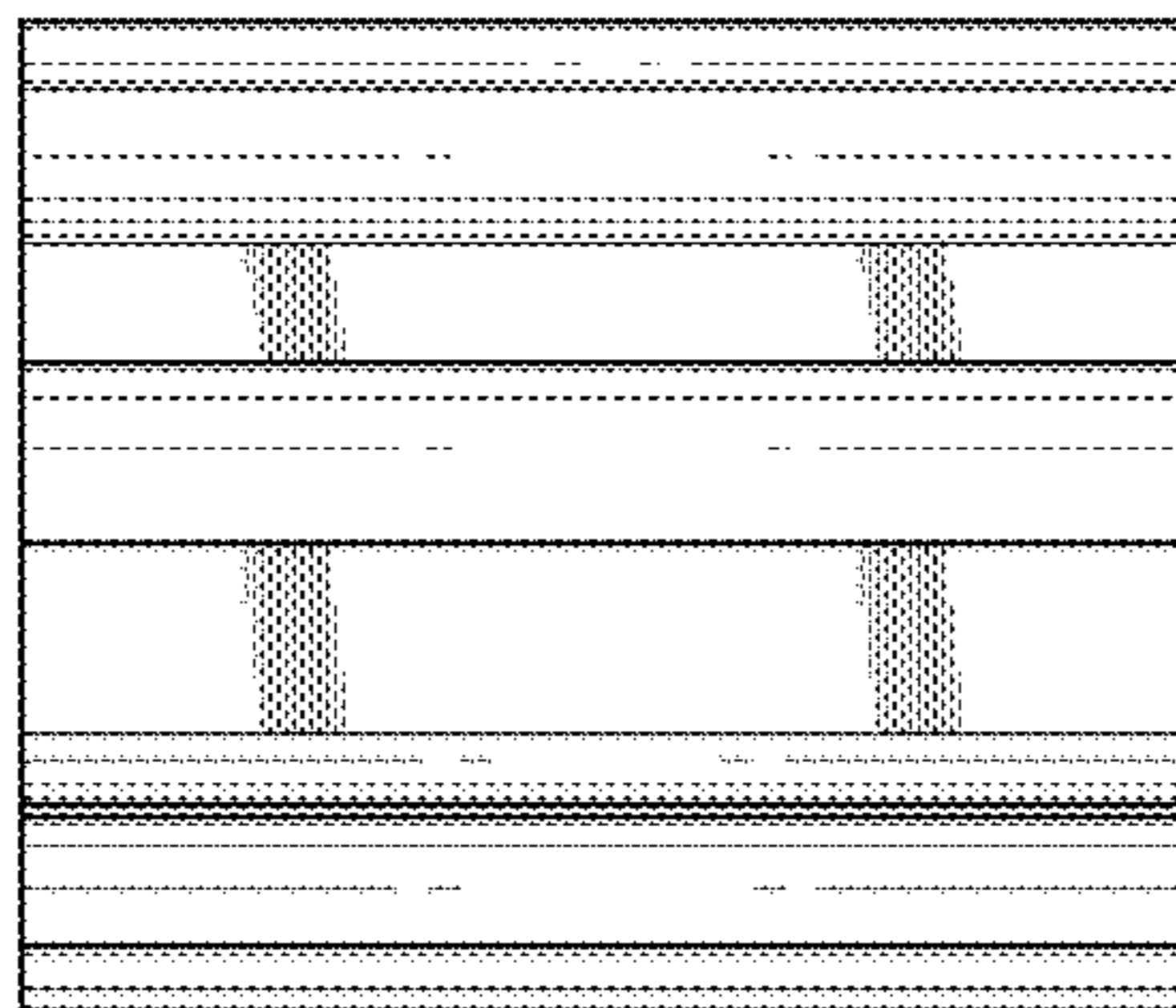
**FIG. 5**



**FIG. 6**



**FIG. 7**



**FIG. 8**