



US00D852378S

(12) **United States Design Patent**
Springborn

(10) **Patent No.:** **US D852,378 S**
(45) **Date of Patent:** **** Jun. 25, 2019**

(54) **FENCING BOTTOM RAIL**
(71) Applicant: **Russell H. Springborn**, Howell, MI
(US)
(72) Inventor: **Russell H. Springborn**, Howell, MI
(US)
(**) Term: **15 Years**
(21) Appl. No.: **29/618,695**

D572,372 S * 7/2008 Koch B66C 7/02
D25/38.1
D574,509 S * 8/2008 Koch B66C 7/02
D25/38.1
D611,169 S * 3/2010 Harder D25/122
D631,171 S * 1/2011 Konrad D25/124
7,913,960 B1 3/2011 Herr, III et al.
8,167,275 B1 5/2012 Bizzarri et al.
D661,813 S 6/2012 Walker
D734,495 S 7/2015 Wälde
D795,454 S 8/2017 Curtin et al.
D819,833 S * 6/2018 Chapman D25/60
2016/0362908 A1 12/2016 Springborn

(22) Filed: **Sep. 22, 2017**
(51) **LOC (11) Cl.** **25-02**
(52) **U.S. Cl.**
USPC **D25/38.1**
(58) **Field of Classification Search**
USPC D25/38.1, 41.1, 42, 43, 44, 119–126,
D25/131, 132, 164, 199; D34/28, 29
CPC E04F 11/18; E04F 11/181; E04F 11/1802;
E04F 11/1808; E04F 11/1834; E04F
11/1836; E04F 11/1842; E04F 11/1865;
E04H 2017/1447; E04H 2017/1478;
E04H 2017/1482; E04H 17/20; E04H
17/1421; E04H 17/1443; B66C 7/02;
E01F 15/0453; B63B 17/04
See application file for complete search history.

FOREIGN PATENT DOCUMENTS

WO D054832-006 * 3/2001
* cited by examiner

Primary Examiner — Leanne Was-Englehart
(74) *Attorney, Agent, or Firm* — Dykema Gossett PLLC

(57) **CLAIM**

The ornamental design for a fencing bottom rail, as shown and described.

DESCRIPTION

This application is related to U.S. design application Ser. No. 29/618,704, filed 22 Sep. 2017 and U.S. design application Ser. No. 29/618,692, filed 22 Sep. 2017.

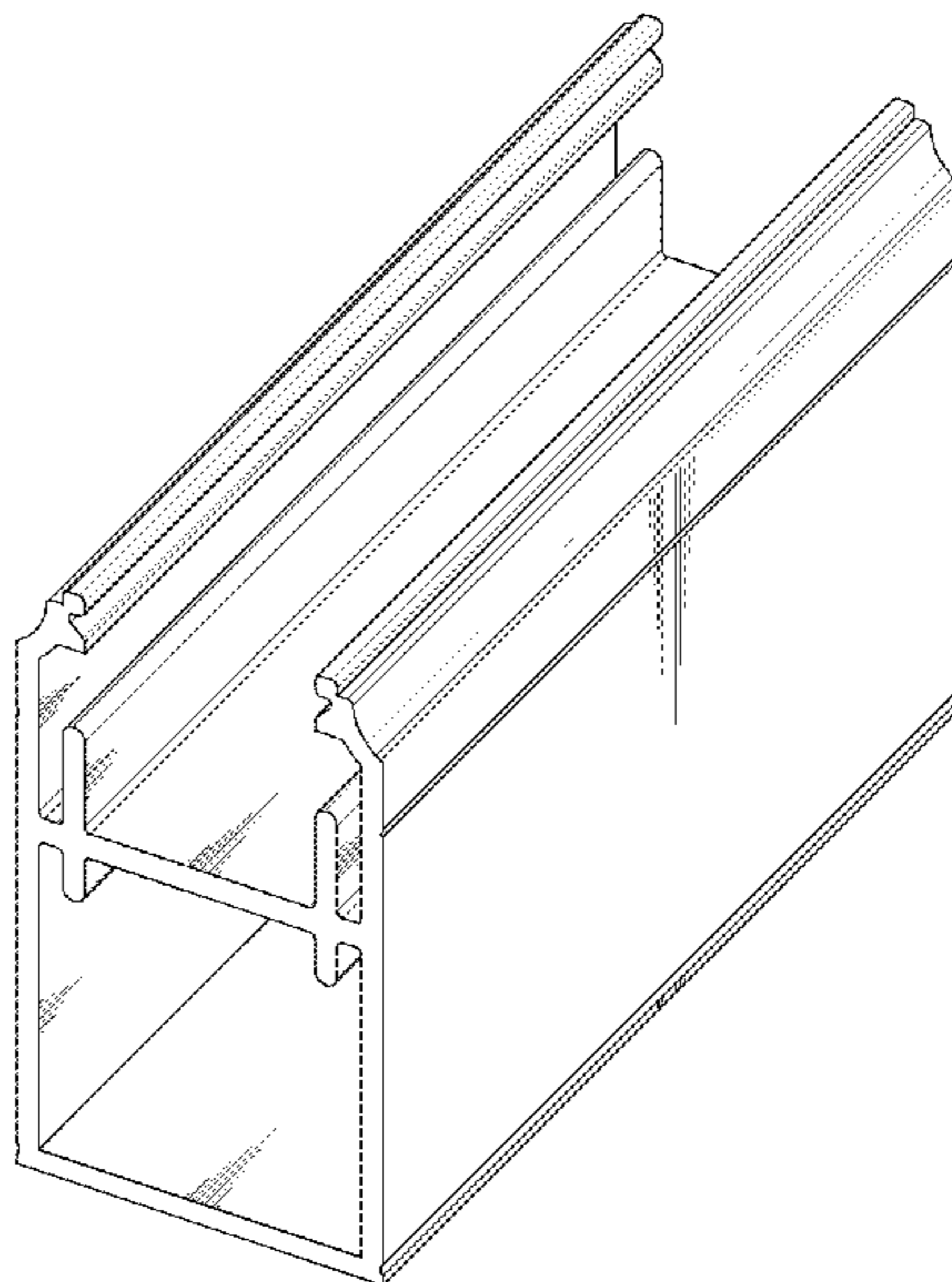
FIG. 1 is a top, perspective view of a fencing bottom rail; FIG. 2 is a bottom, perspective view of the fencing bottom rail; FIG. 3 is a right, end view of the fencing bottom rail; FIG. 4 is a left, end view of the fencing bottom rail; FIG. 5 is a top, plan view of the fencing bottom rail; FIG. 6 is a bottom, plan view of the fencing bottom rail; FIG. 7 is a right, side view of the fencing bottom rail; and, FIG. 8 is a left, side view of the fencing bottom rail;

(56) **References Cited**

U.S. PATENT DOCUMENTS

D259,810 S 7/1981 Dallaire
D348,525 S 7/1994 Dallaire et al.
D378,424 S * 3/1997 Leonelli D25/122
D382,651 S * 8/1997 Colitto D25/122
D382,652 S * 8/1997 Colitto D25/122
D446,315 S * 8/2001 Forbis D25/38.1
D487,158 S 2/2004 Forbis
D490,543 S 5/2004 Forbis
D509,594 S * 9/2005 Curtas D25/38.1
D536,098 S 1/2007 Walker

1 Claim, 4 Drawing Sheets



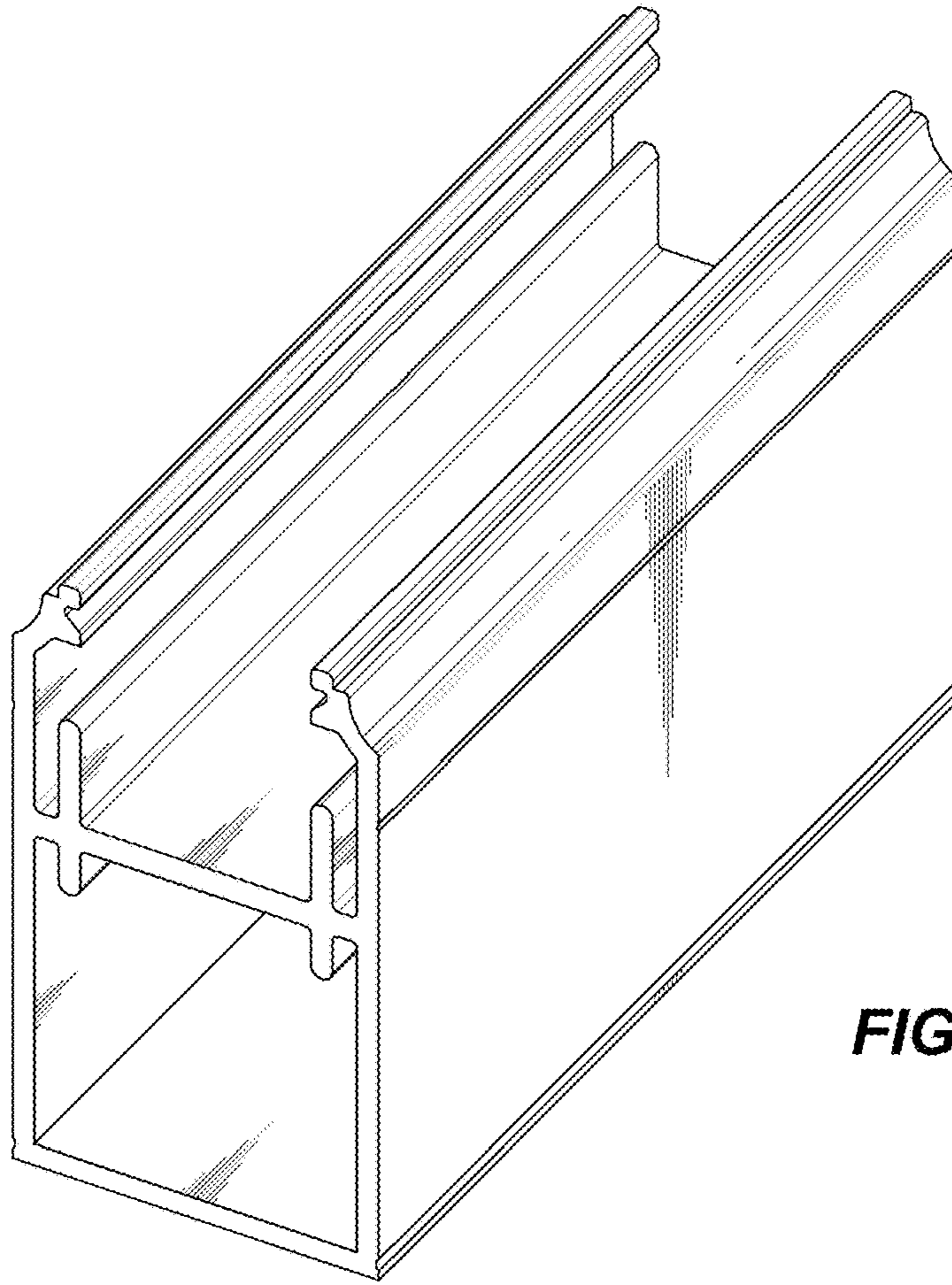


FIG. 1

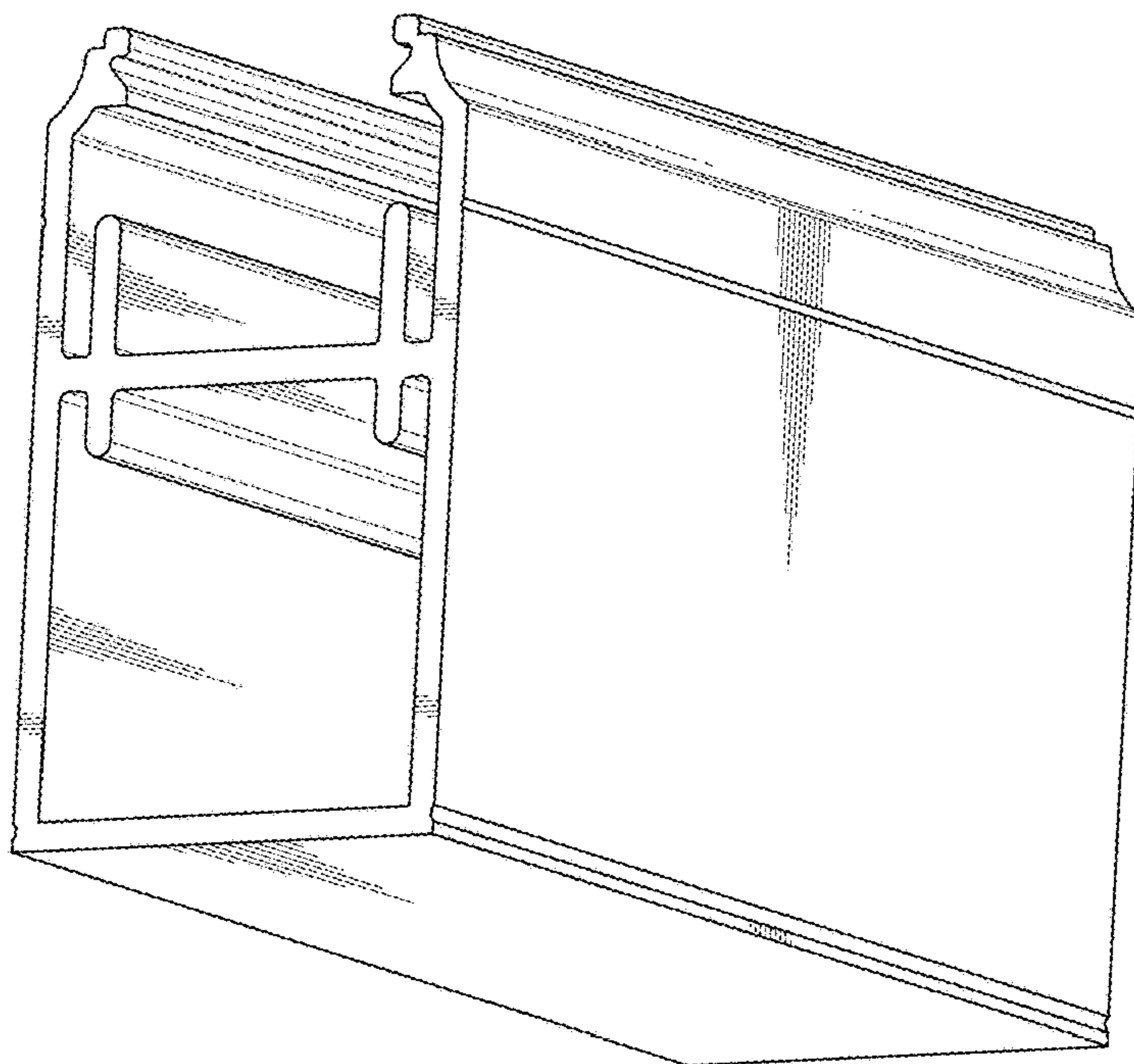


FIG. 2

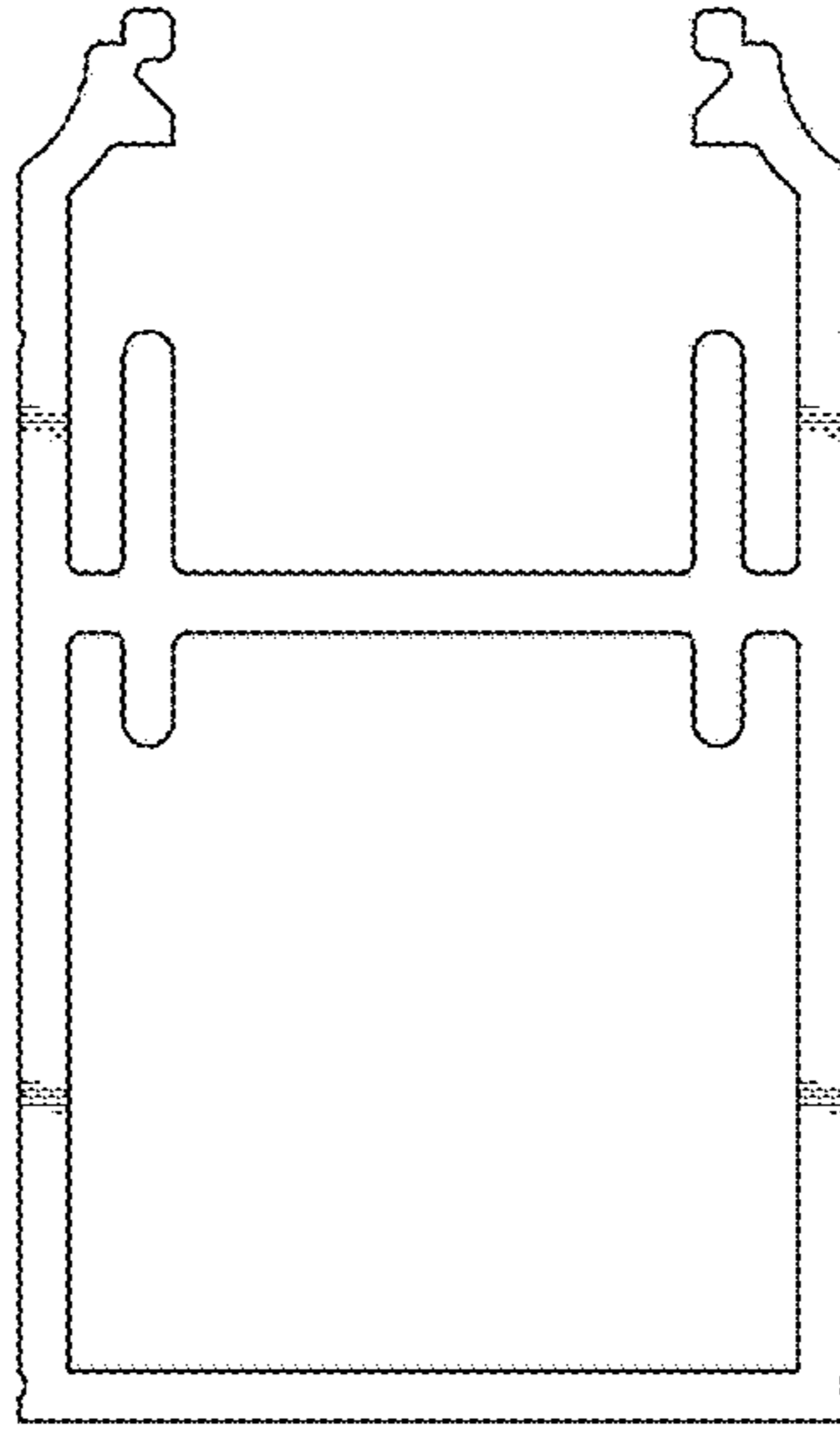


FIG. 3

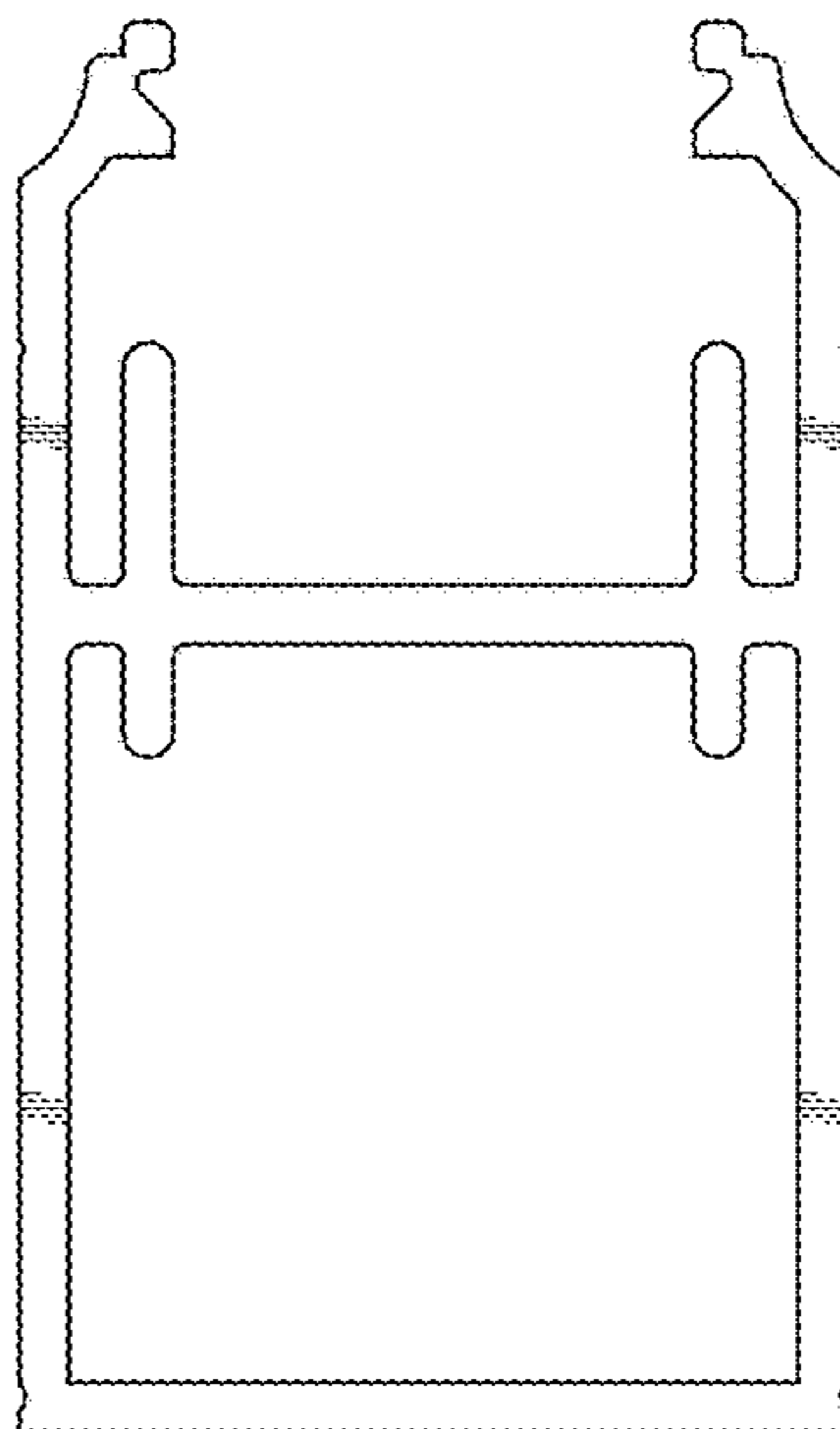


FIG. 4

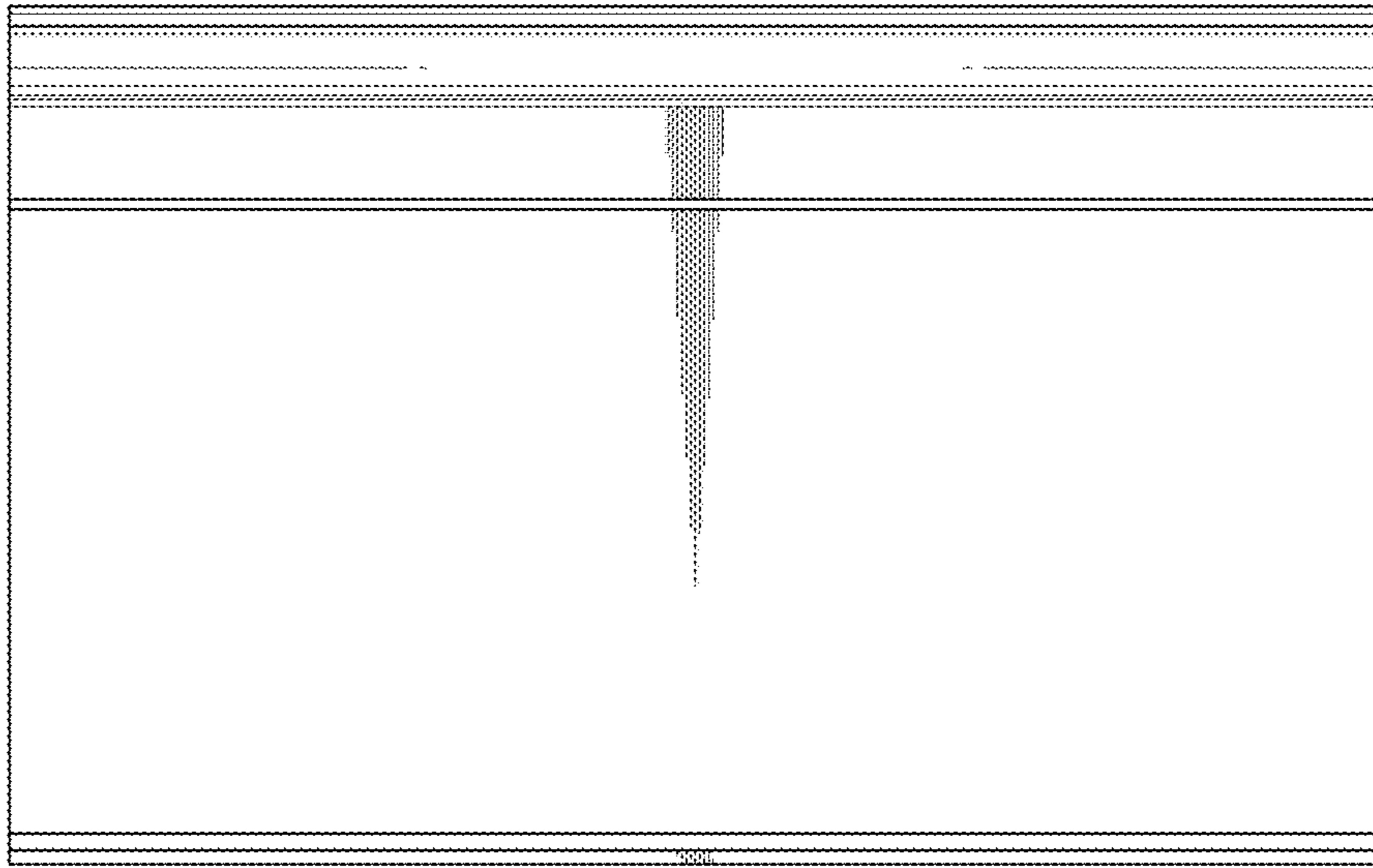


FIG. 5

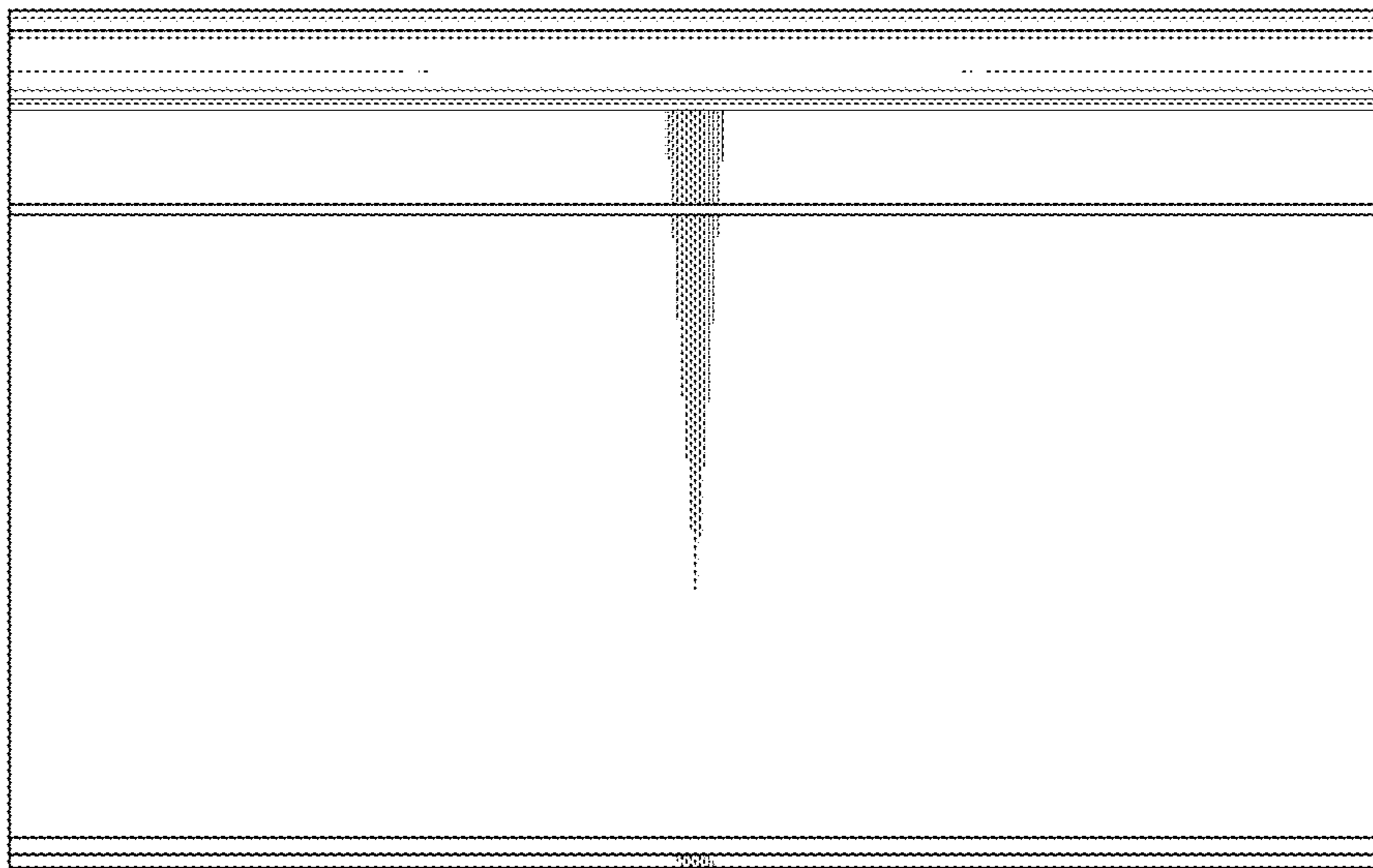


FIG. 6

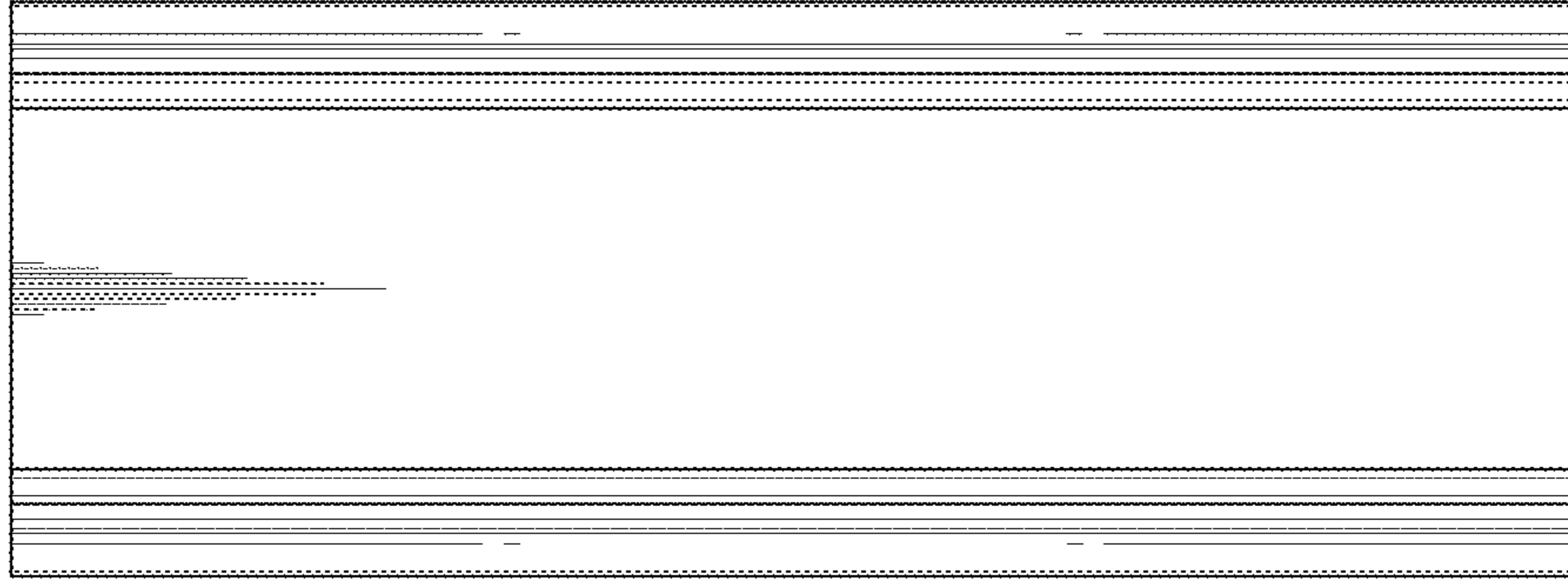


FIG. 7

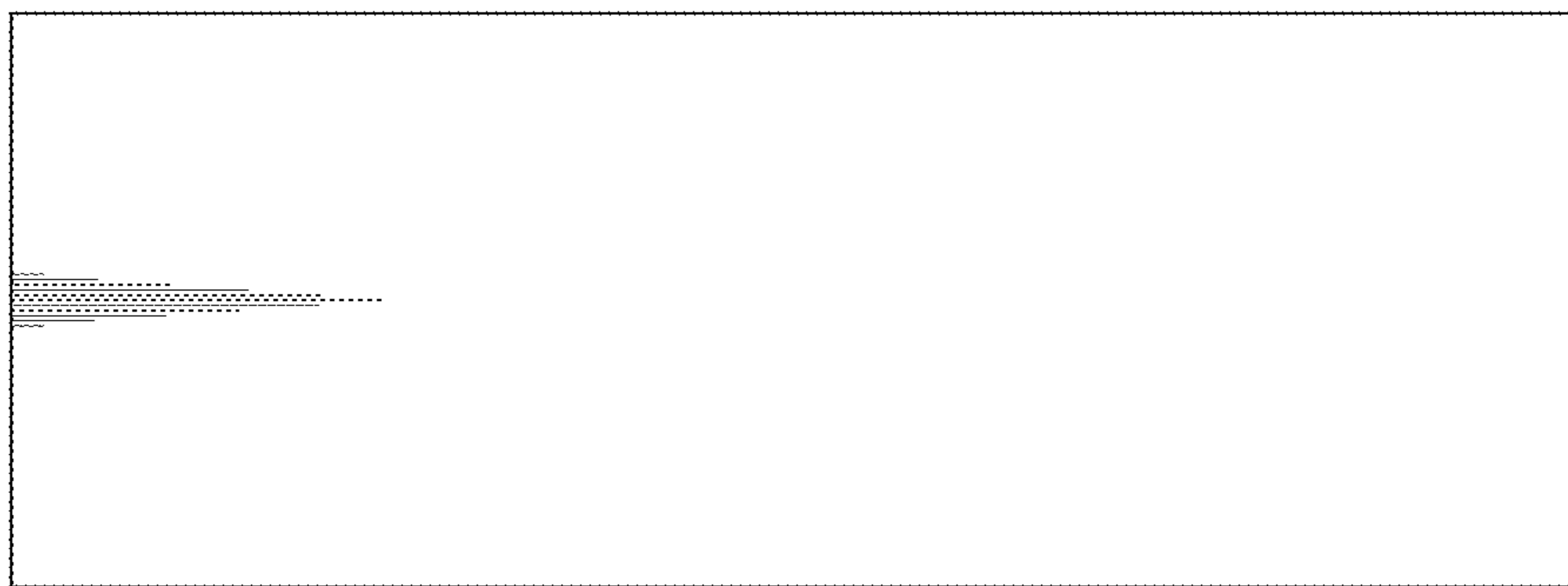


FIG. 8