



US00D852377S

(12) **United States Design Patent**
Gill et al.

(10) **Patent No.:** **US D852,377 S**
(45) **Date of Patent:** **** Jun. 25, 2019**

(54) **MODULAR BUILDING**
(71) Applicant: **KwikSpace Guam**, Hagatna, GU (US)
(72) Inventors: **Peter E. Gill**, Tamuning, GU (US);
Peter E. Gill, III, Tamuning, GU (US)
(73) Assignee: **KWIKSPACE GUAM**, Hagatna, GU
(US)
(**) Term: **15 Years**

(21) Appl. No.: **29/600,535**
(22) Filed: **Apr. 13, 2017**
(51) **LOC (11) Cl.** **25-03**
(52) **U.S. Cl.**
USPC **D25/33**
(58) **Field of Classification Search**
USPC D25/1, 3-33, 34-35, 55-59, 61;
52/79.1-79.9; D12/101-106
CPC E04H 1/00-1277; E04H 2001/1283-1294;
E04H 3/00-04; E04H 9/14-16; E04B
1/34823; E04B 1/3483; E04B 1/3444;
E04B 1/3431; E04B 1/343; E04B
1/34869; E04B 1/3421; E04B 1/34336;
B60P 3/34
See application file for complete search history.

(56) **References Cited**
U.S. PATENT DOCUMENTS
3,023,463 A * 3/1962 Bigelow, Jr. E04B 1/34336
52/11
3,095,616 A * 7/1963 Bigelow, Jr. B60P 3/34
254/45
D221,068 S * 7/1971 Yasuhara D12/103

3,719,386 A * 3/1973 Puckett B60P 3/34
296/26.13
4,312,159 A * 1/1982 Paul E04B 1/3431
296/171
5,706,614 A 1/1998 Wiley, Jr. et al.
8,001,730 B2 8/2011 Wallace
D683,047 S * 5/2013 Gill D25/22
D727,531 S * 4/2015 Gill D25/22
D771,272 S * 11/2016 Hart D25/1
D781,442 S * 3/2017 Gill D25/32
D814,658 S * 4/2018 Gill D25/33
2013/0305629 A1* 11/2013 Stephenson E04B 1/3483
52/79.9

* cited by examiner

Primary Examiner — Brett Miller
(74) *Attorney, Agent, or Firm* — Donald J. Ersler

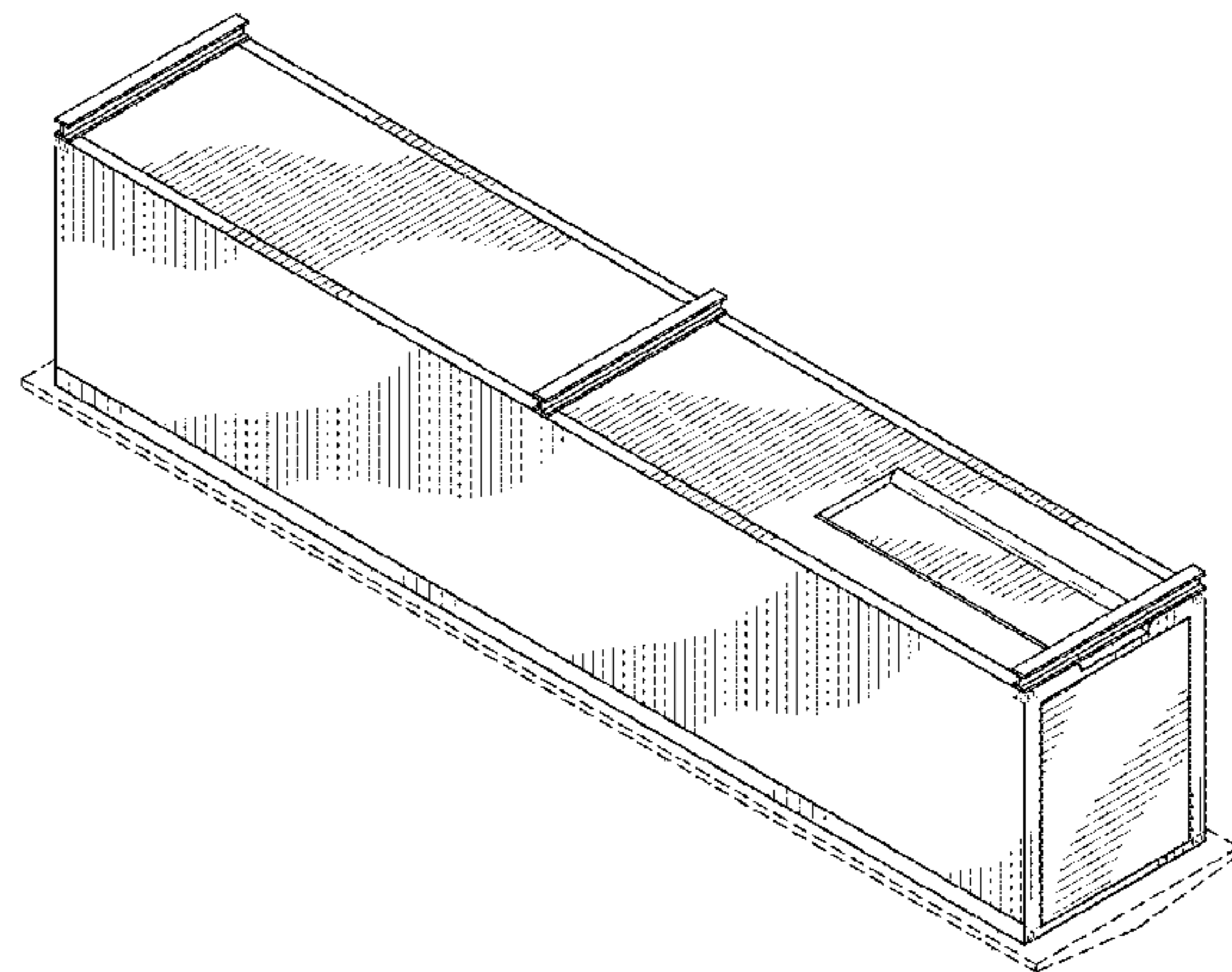
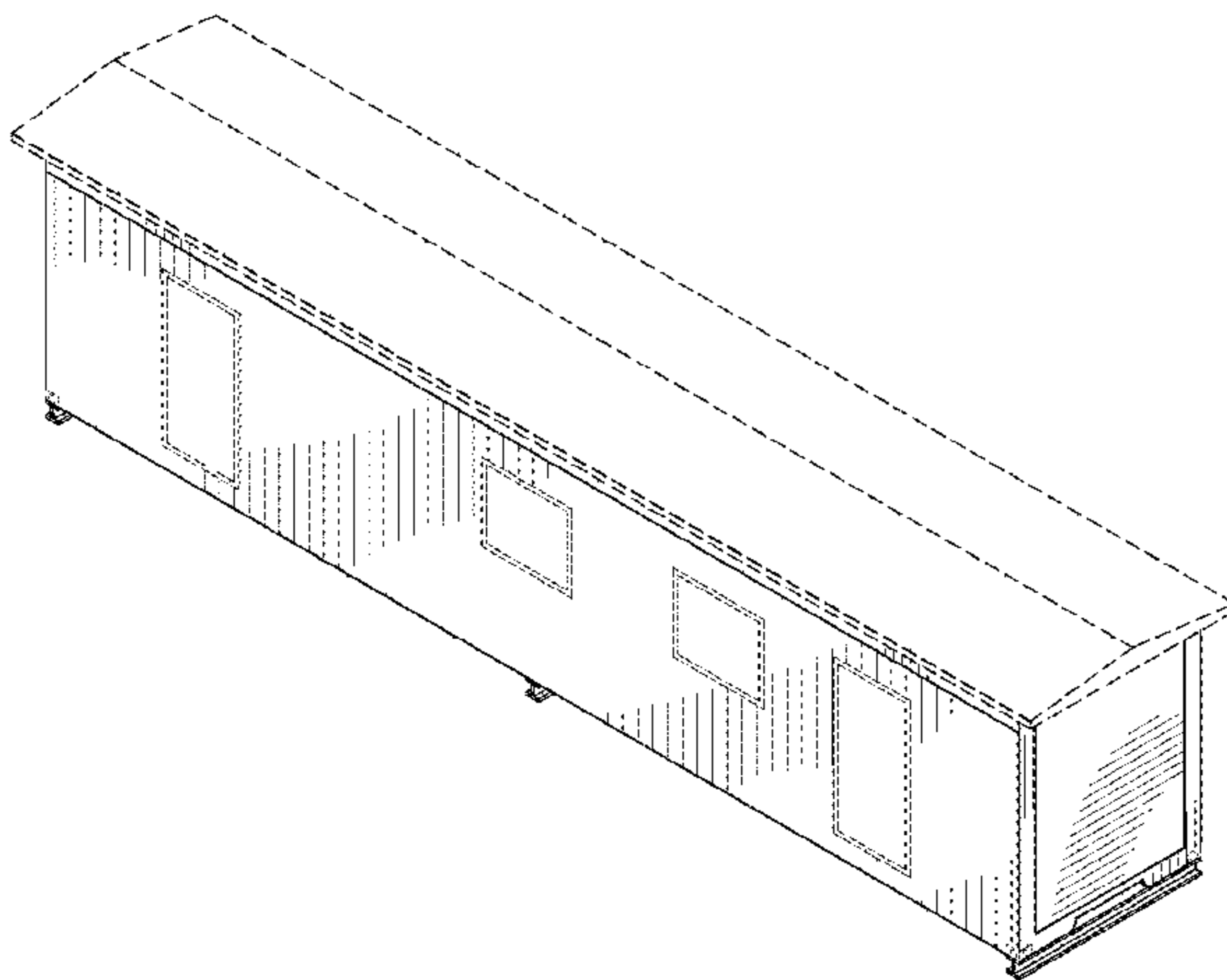
(57) **CLAIM**

The ornamental design for a modular building, as shown and described.

DESCRIPTION

FIG. 1 is a top perspective view of a modular building incorporating our new design;
FIG. 2 is a bottom perspective view thereof;
FIG. 3 is a left side view thereof;
FIG. 4 is a right side view thereof;
FIG. 5 is a front view thereof.
FIG. 6 is a rear view thereof.
FIG. 7 is a top plan view thereof; and,
FIG. 8 is a bottom plan view thereof.
The broken lines shown in the drawings illustrate portions of the modular building that form no part of the claimed invention.

1 Claim, 6 Drawing Sheets



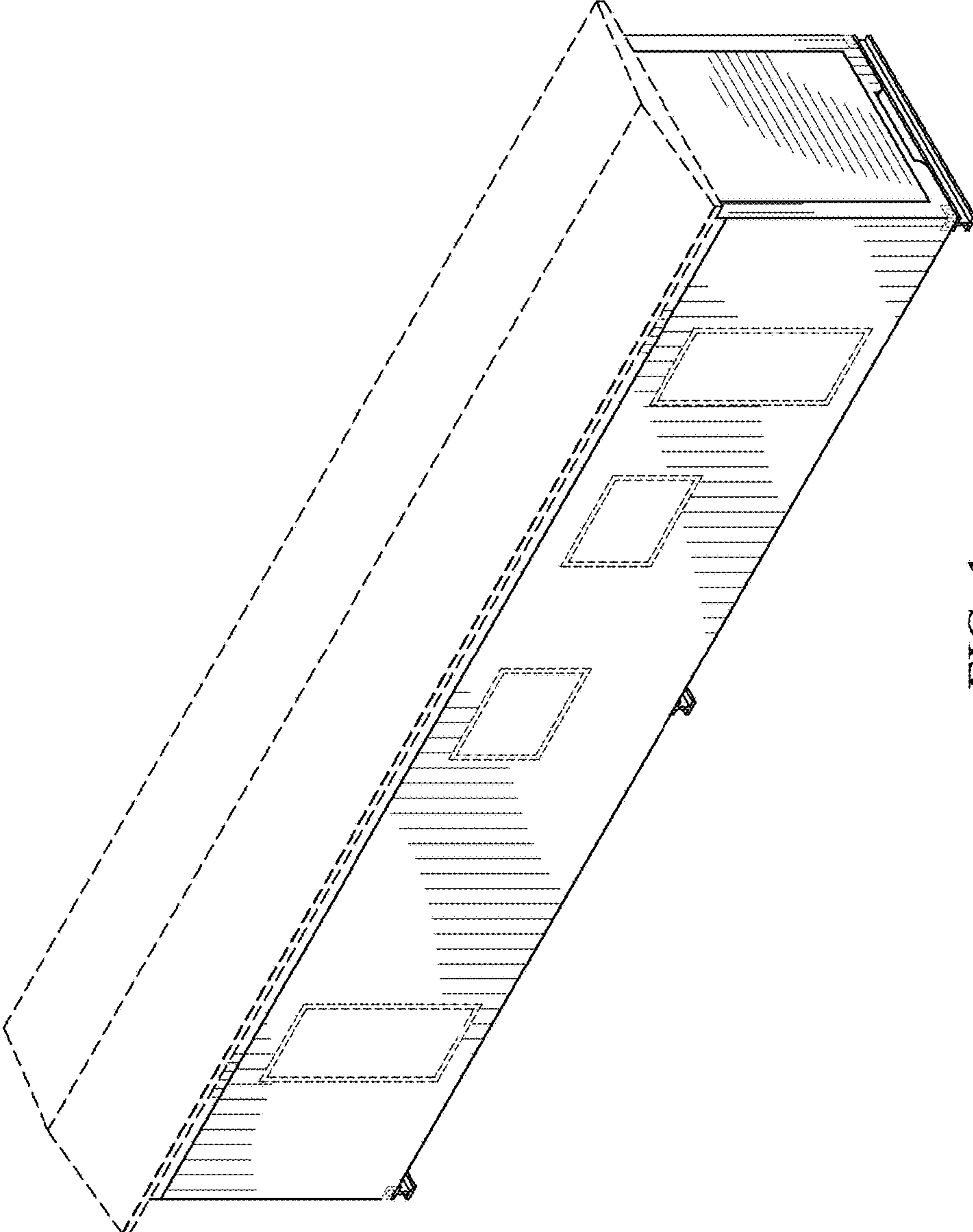


FIG. 1

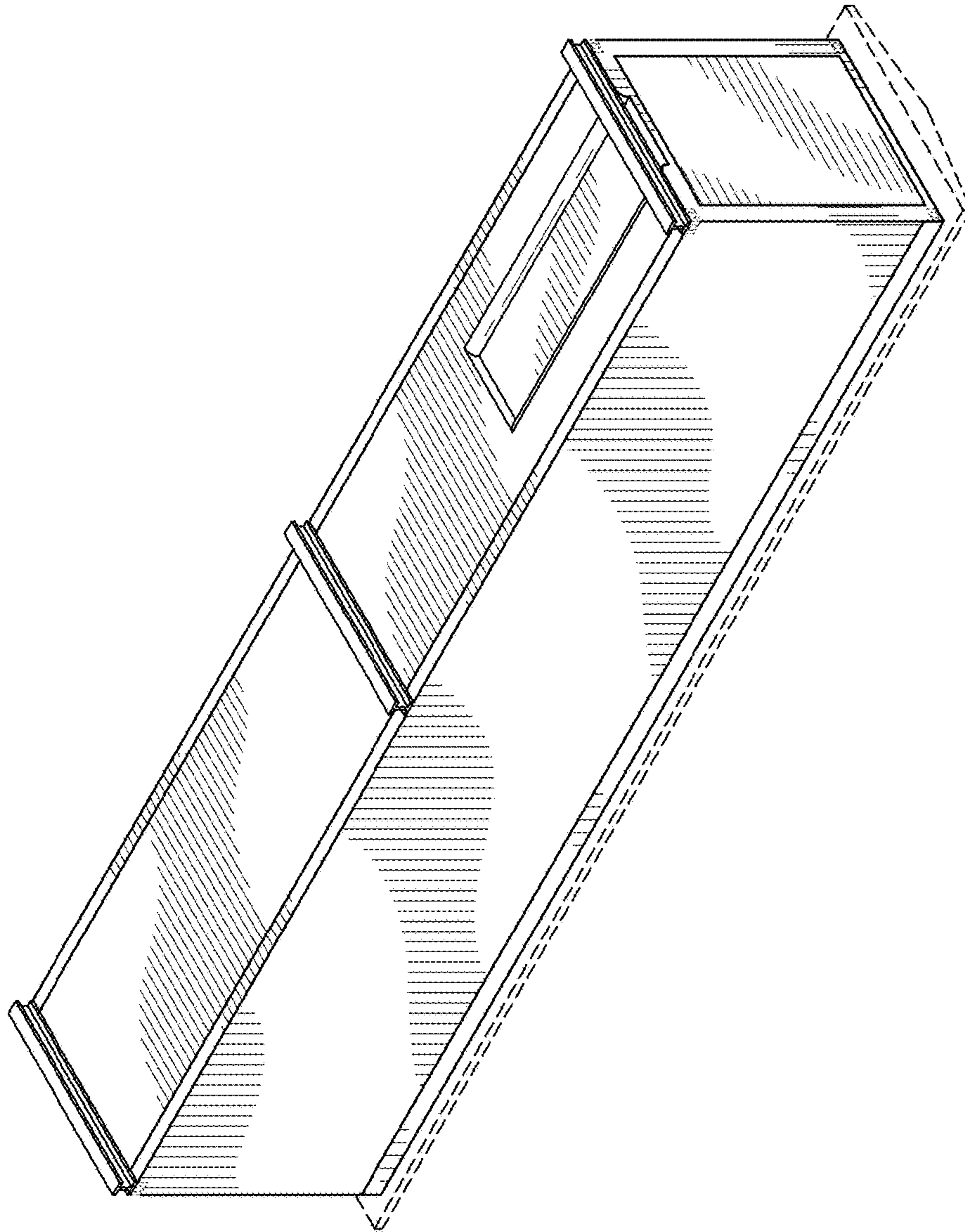


FIG. 2

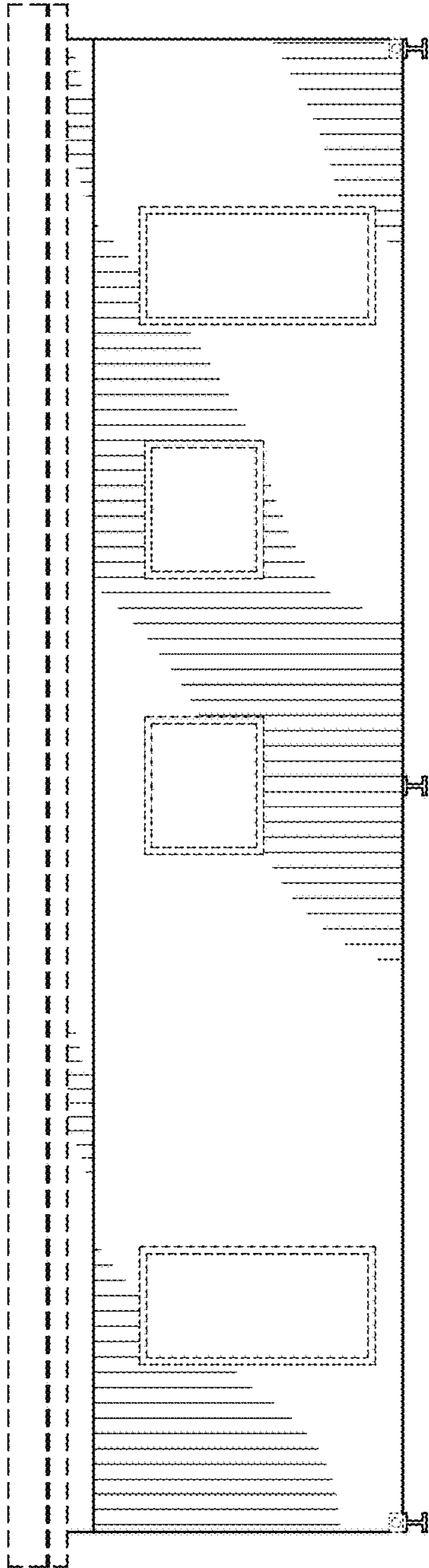


FIG. 3

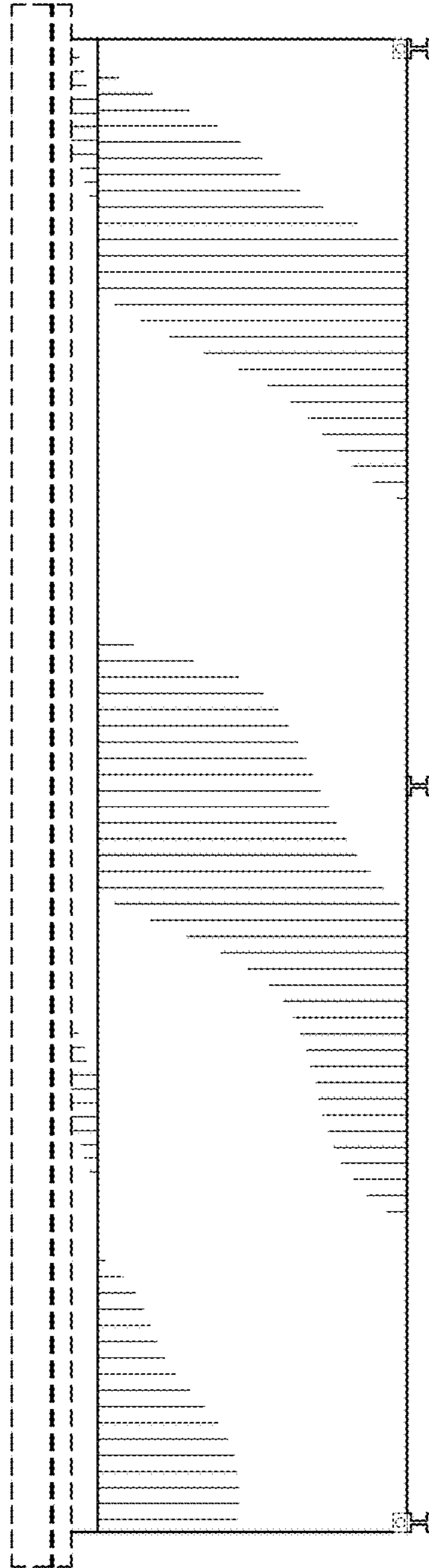


FIG. 4

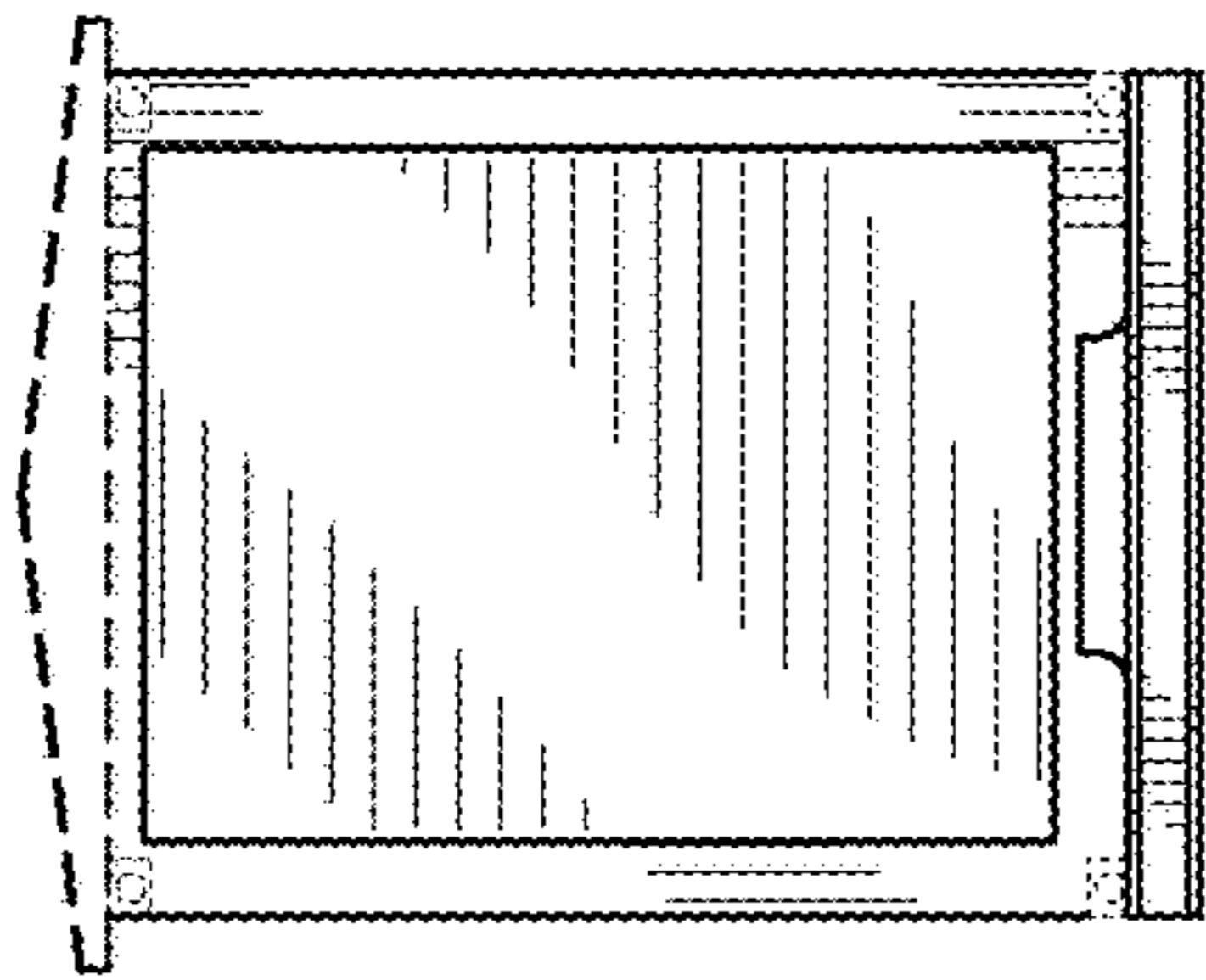


FIG. 5

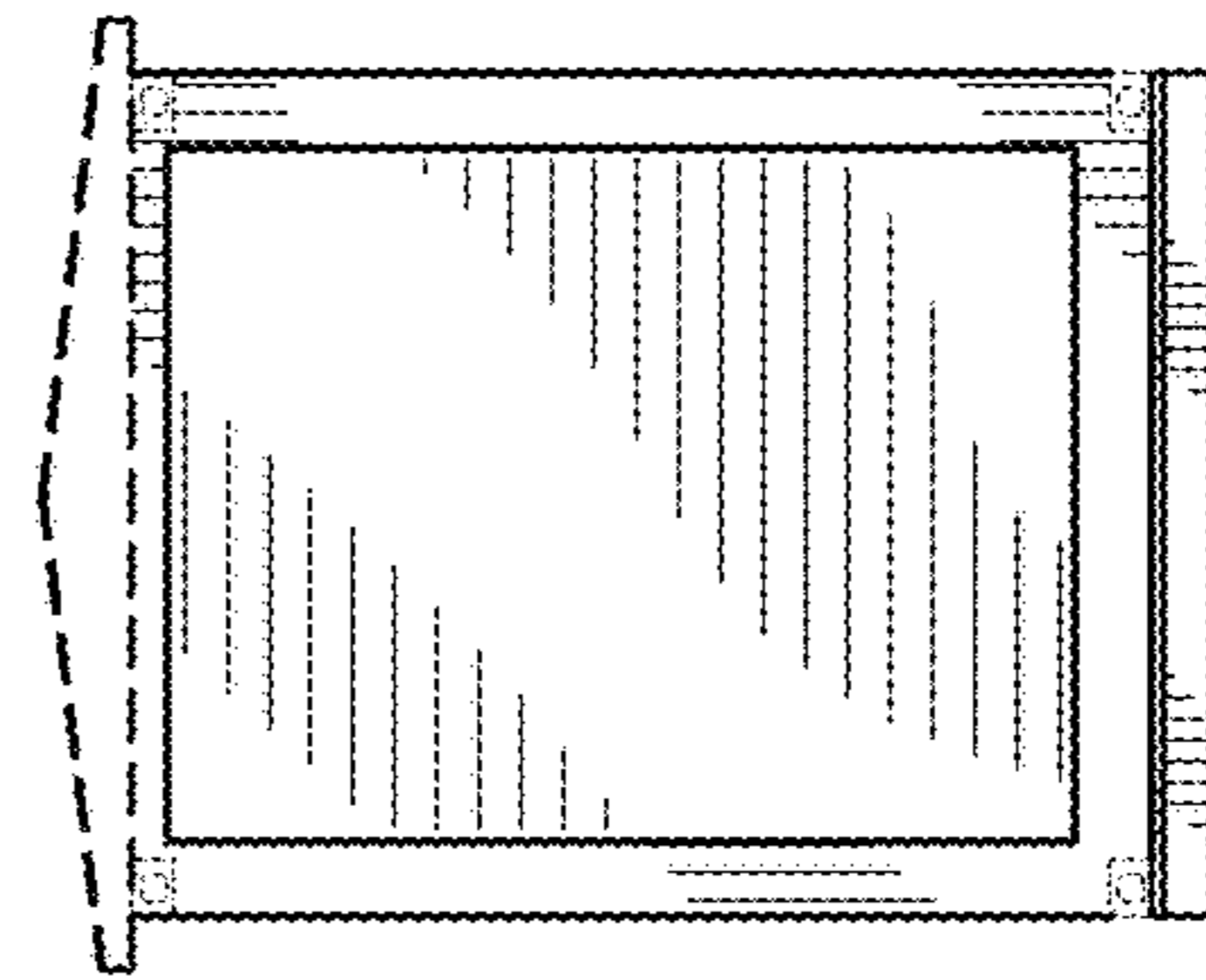


FIG. 6

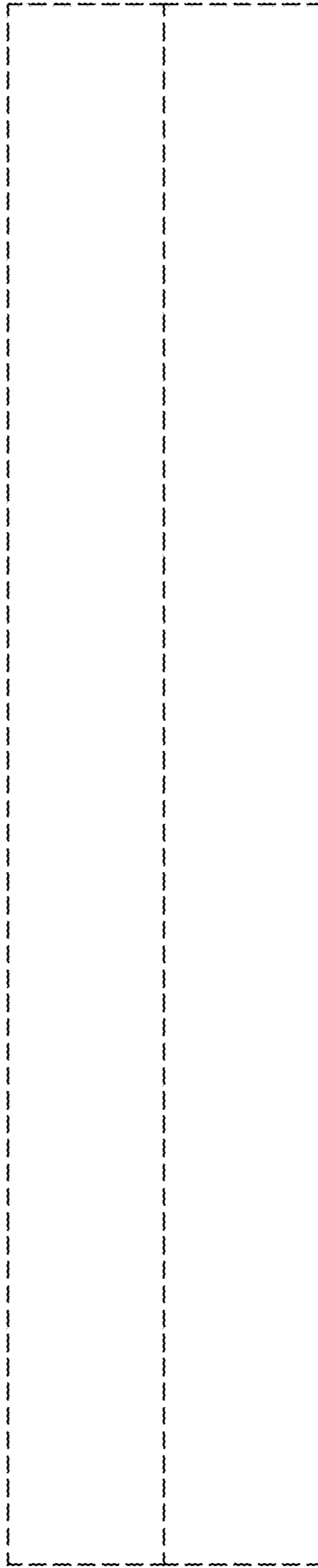


FIG. 7

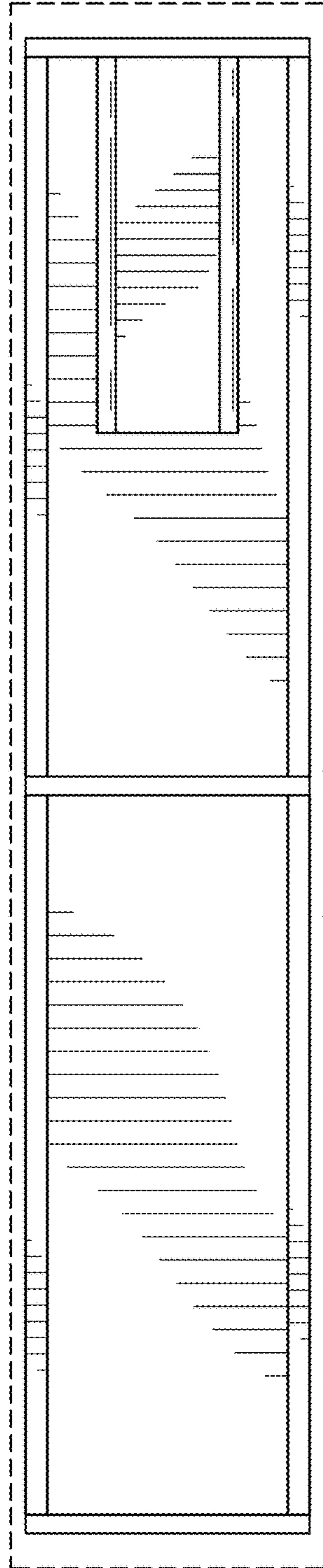


FIG. 8