



US00D852371S

(12) **United States Design Patent**  
**Upton**

(10) **Patent No.:** **US D852,371 S**

(45) **Date of Patent:** **\*\* Jun. 25, 2019**

(54) **ELEVATED FOAM ROLLER**

(71) Applicant: **Gary Upton**, Niantic, CT (US)

(72) Inventor: **Gary Upton**, Niantic, CT (US)

(\*\*) Term: **15 Years**

(21) Appl. No.: **29/634,764**

(22) Filed: **Jan. 24, 2018**

(51) **LOC (11) Cl.** ..... **28-03**

(52) **U.S. Cl.**  
USPC ..... **D24/211**

(58) **Field of Classification Search**  
USPC ..... 601/99, 114, 118, 120, 121, 124, 125,  
601/130, 131, 134, 135, 136, 137;  
D24/200, 211, 212, 213, 214, 215;  
D8/303; D21/803; D6/336, 349  
CPC ..... A61H 15/00; A61H 2015/0014; A61H  
2201/1284; A61H 1/0292; A61H 1/0266;  
A61H 1/0218  
See application file for complete search history.

D536,799 S \* 2/2007 Freitas ..... D25/66  
D573,262 S \* 7/2008 Soucy ..... D24/211  
7,442,153 B1 \* 10/2008 Chasnov ..... A61H 1/0292  
482/140  
D586,572 S \* 2/2009 Collette ..... D6/349  
D614,423 S \* 4/2010 Mohazzabi ..... D6/349  
D704,974 S \* 5/2014 Lee ..... D6/349

(Continued)

**OTHER PUBLICATIONS**

ActiveLife, HighRoller-Next Gen. Ergonomic Foam Roll, 2017,  
<https://activelifeusa.com/collections/muscle-care/products/highroller-foam-rolling-elevation-muscles-exercise-black>.

*Primary Examiner* — Cynthia Ramirez  
*Assistant Examiner* — Michael A Maharajh  
(74) *Attorney, Agent, or Firm* — Moyles IP, LLC

(57) **CLAIM**

I claim the ornamental design of an elevated foam roller, as shown and described.

(56) **References Cited**

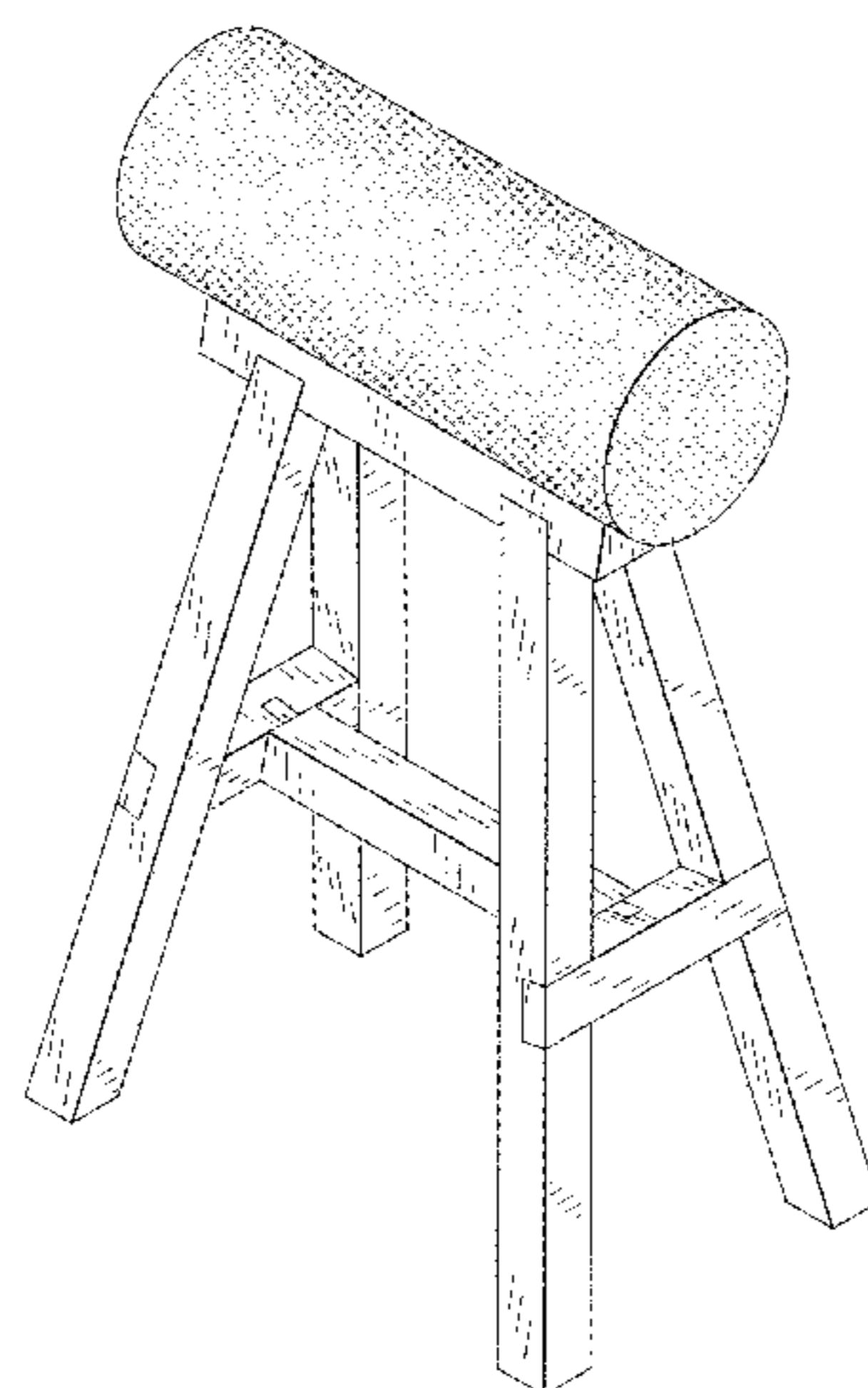
**U.S. PATENT DOCUMENTS**

D252,426 S \* 7/1979 Brelsford ..... D6/349  
4,807,603 A \* 2/1989 Yasui ..... A61H 15/00  
601/121  
D364,745 S \* 12/1995 Rettenberger ..... D6/336  
D368,171 S \* 3/1996 Snell ..... D6/335  
D374,996 S \* 10/1996 Noniewicz ..... D6/684  
D431,938 S \* 10/2000 Lewis ..... D6/349  
D436,763 S \* 1/2001 Balolia ..... D6/349  
D438,025 S \* 2/2001 Lopez ..... D6/349  
D450,941 S \* 11/2001 Spitler ..... D6/349  
6,419,650 B1 \* 7/2002 Ryan ..... A61H 15/00  
601/122  
D461,330 S \* 8/2002 Wang ..... D6/349  
D464,817 S \* 10/2002 Lopez ..... D6/349  
D483,642 S \* 12/2003 Lin ..... D8/107  
7,108,646 B1 \* 9/2006 Quick ..... A47D 13/08  
482/132  
D535,490 S \* 1/2007 Wise ..... D6/684

**DESCRIPTION**

FIG. 1 is a top perspective view of an elevated foam roller showing my new design;  
FIG. 2 is a bottom perspective view of the elevated foam roller of FIG. 1;  
FIG. 3 is a front view of the elevated foam roller of FIG. 1;  
FIG. 4 is rear view of the elevated foam roller of FIG. 1;  
FIG. 5 is a left side view of the elevated foam roller of FIG. 1;  
FIG. 6 is a right side view of the elevated foam roller of FIG. 1;  
FIG. 7 is a top plan view of the elevated foam roller of FIG. 1; and,  
FIG. 8 is a bottom plan view of the elevated foam roller of FIG. 1.

**1 Claim, 7 Drawing Sheets**



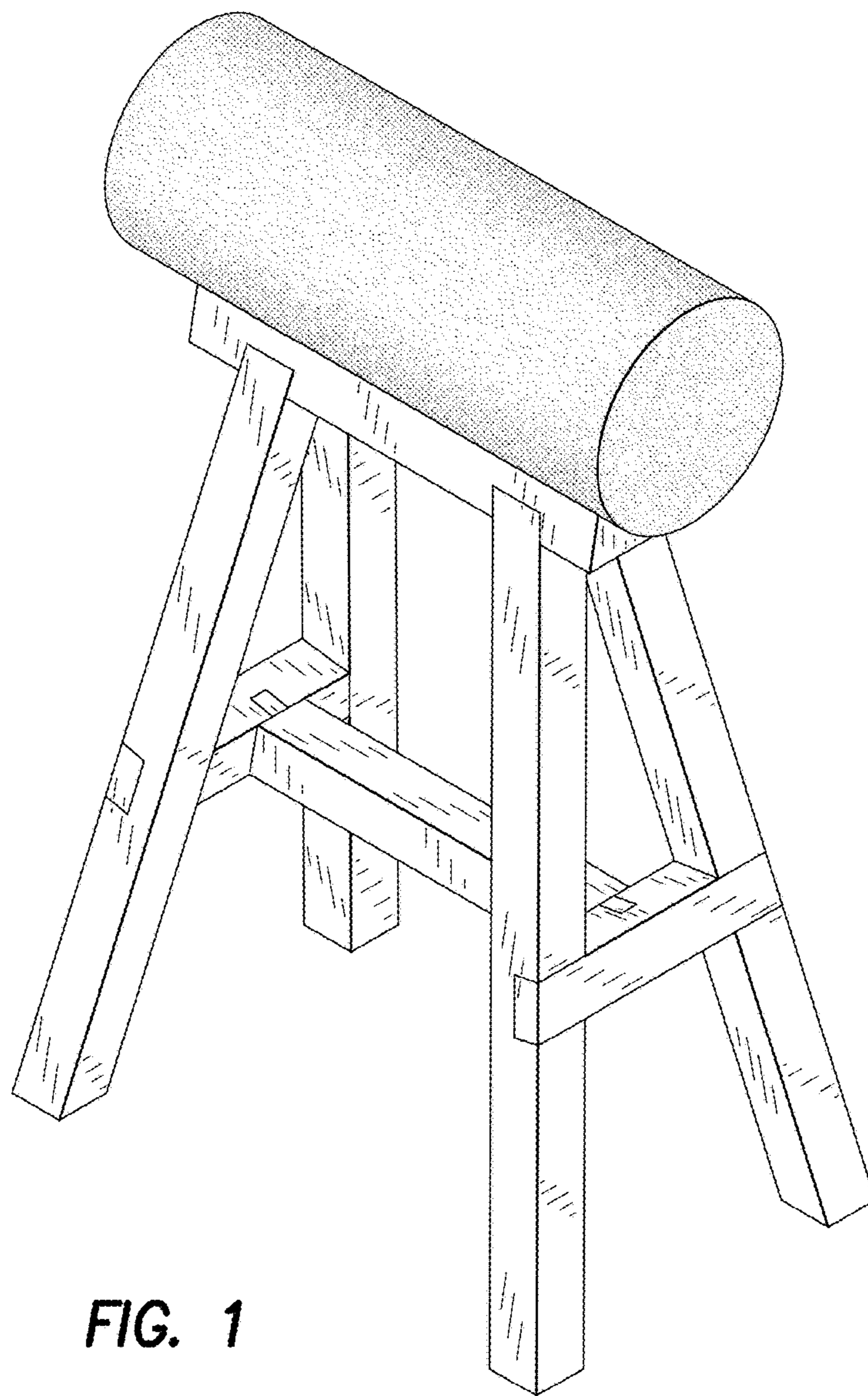
(56)

References Cited

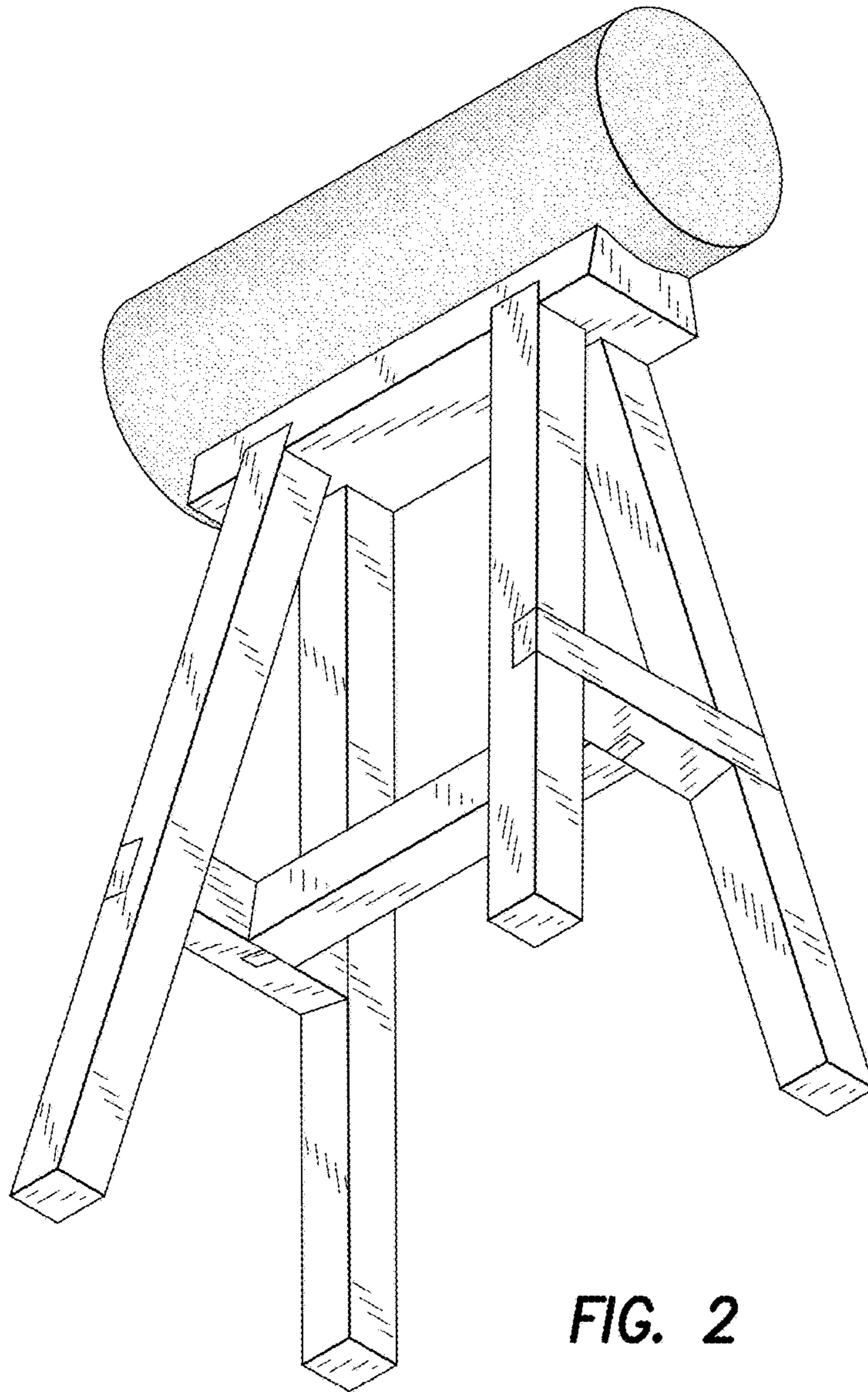
U.S. PATENT DOCUMENTS

8,740,756 B2 *	6/2014	Shabodyash .....	A63B 22/02	D765,262 S *	8/2016	Greenhouse .....	A63B 21/4049
			482/51				D24/211
D710,134 S *	8/2014	Montagner .....	D6/675	9,463,133 B2 *	10/2016	Rodgers .....	A61H 7/00
D714,952 S *	10/2014	Gonglach .....	A61H 15/00	D780,468 S *	3/2017	Cohen .....	D6/349
			D24/211	D785,103 S *	4/2017	Townsend .....	D21/662
D716,464 S *	10/2014	Kanbar .....	A61H 19/40	9,623,283 B2 *	4/2017	Vallo .....	A61H 15/00
			D24/215	D790,869 S *	7/2017	Cohen .....	D6/349
D716,569 S *	11/2014	Werner .....	D6/349	9,730,832 B2 *	8/2017	Young .....	A61F 7/034
D727,642 S *	4/2015	Mark .....	D6/349	D798,621 S *	10/2017	Cohen .....	D6/349
D729,555 S *	5/2015	Saigauvker .....	D6/684	9,789,352 B2 *	10/2017	Lalaoua .....	A63B 23/0211
9,144,701 B2 *	9/2015	Chen .....	A63B 21/00047	D821,598 S *	6/2018	Greenhouse .....	D24/212
9,149,410 B2 *	10/2015	Justice Velasco .....	A61H 15/00	D821,599 S *	6/2018	Greenhouse .....	D24/212
9,168,411 B2	10/2015	Holman		D836,352 S *	12/2018	Gelman .....	D6/349
D749,233 S *	2/2016	Phillips .....	A61H 15/0092	2013/0231594 A1 *	9/2013	Bennett .....	A61H 15/0092
			D24/211				601/19
D764,191 S *	8/2016	Gelman .....	D6/349	2014/0171279 A1	6/2014	Justice Velasco	
D764,192 S *	8/2016	Gelman .....	D6/349	2015/0257969 A1 *	9/2015	Shannon .....	A61H 15/00
							601/121
				2017/0080283 A1	3/2017	Harman	

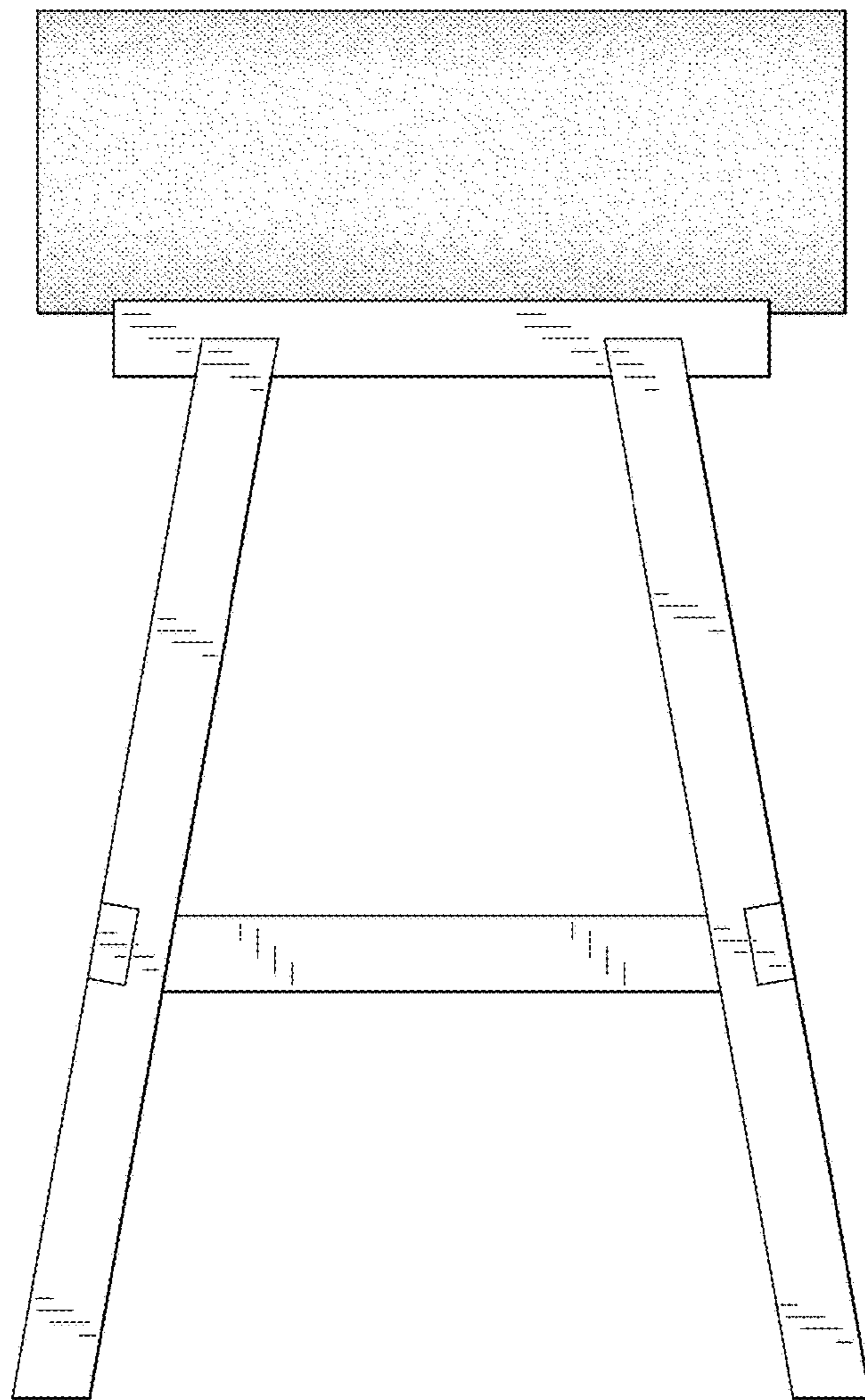
\* cited by examiner



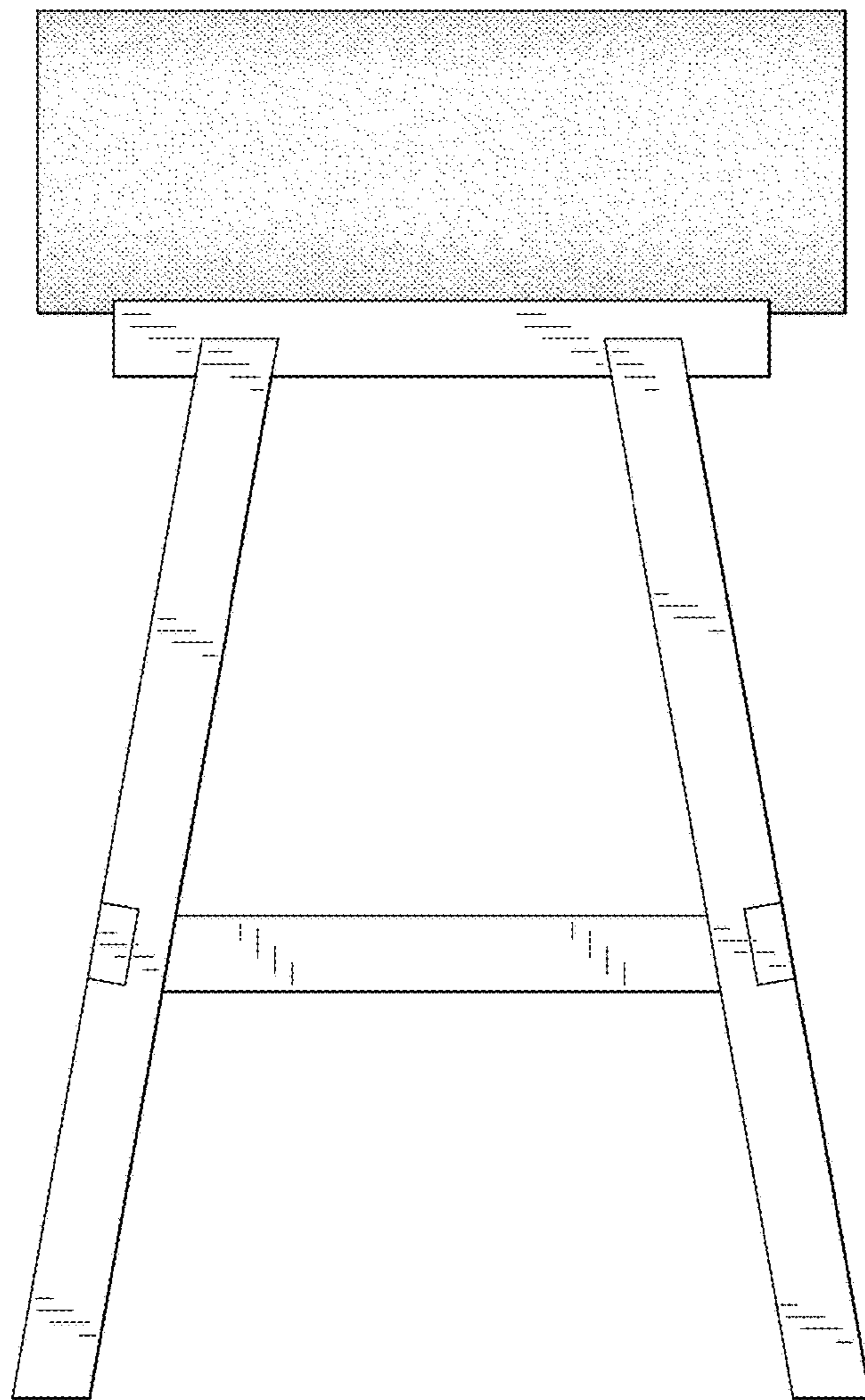
**FIG. 1**



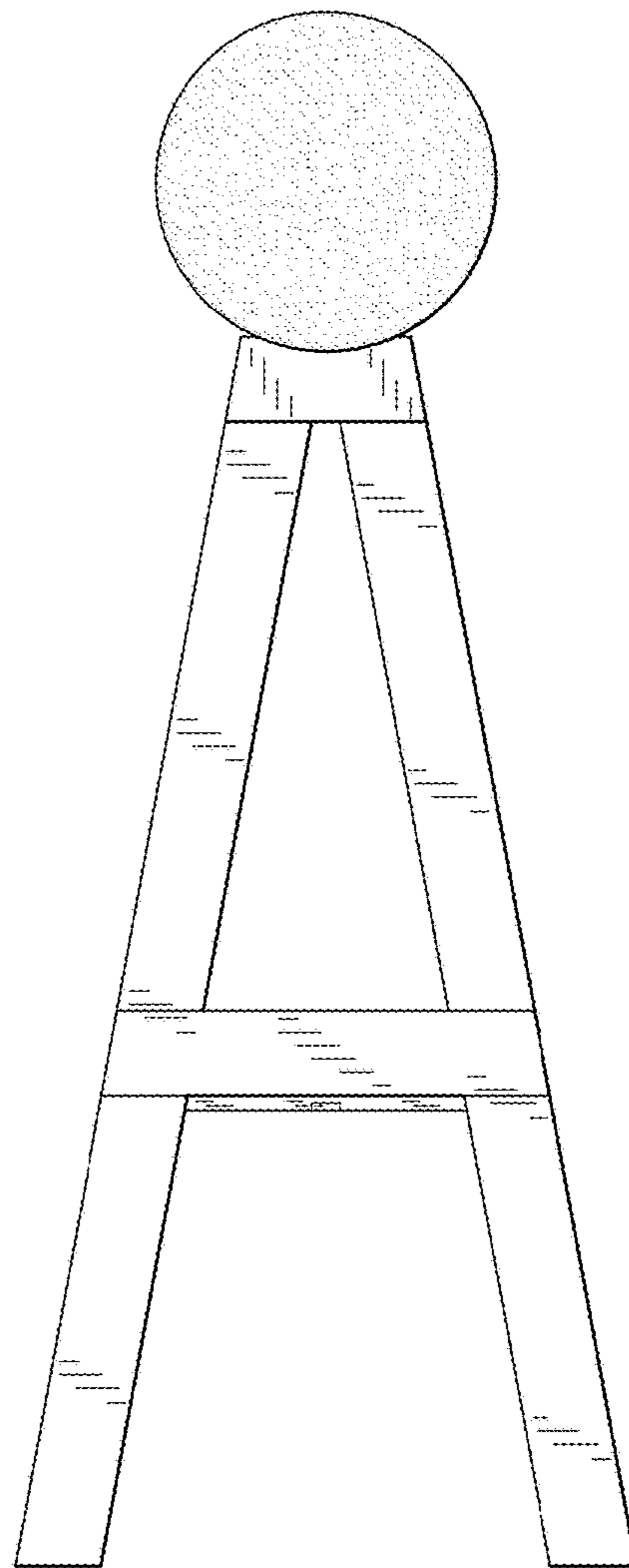
**FIG. 2**



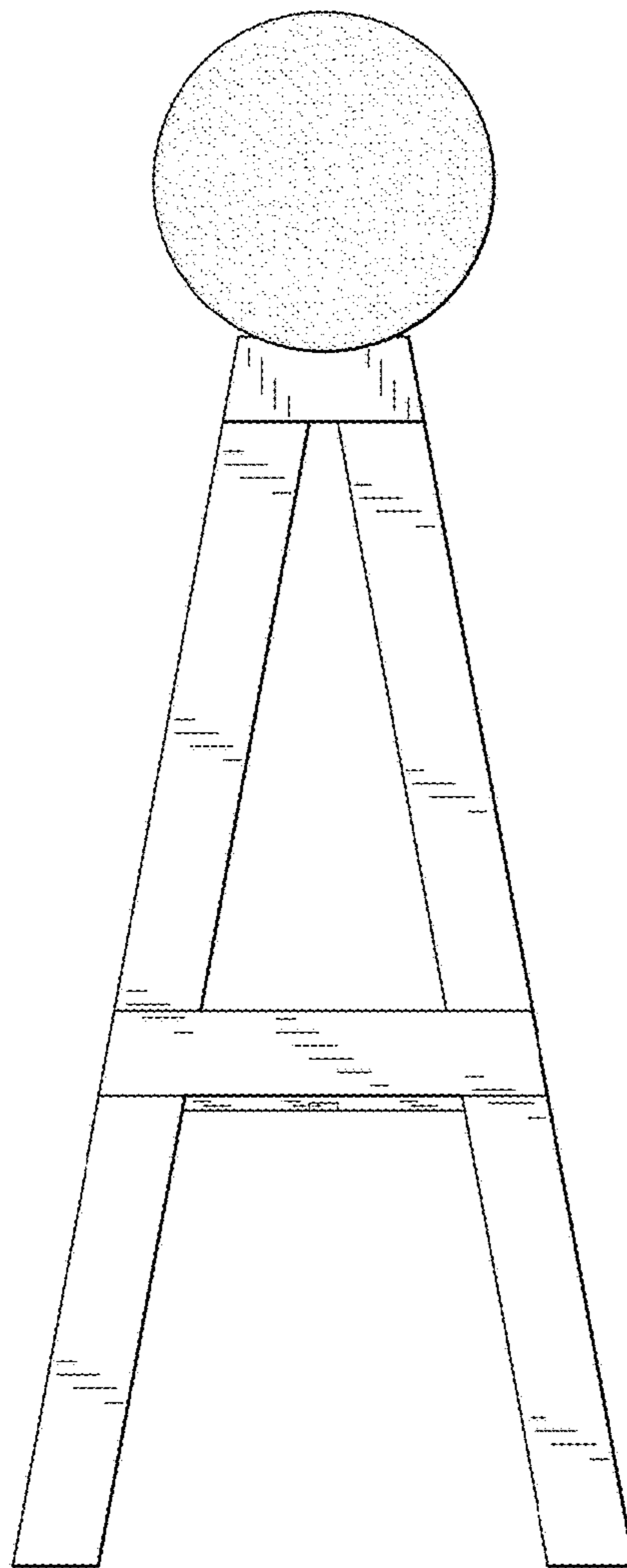
**FIG. 3**



**FIG. 4**

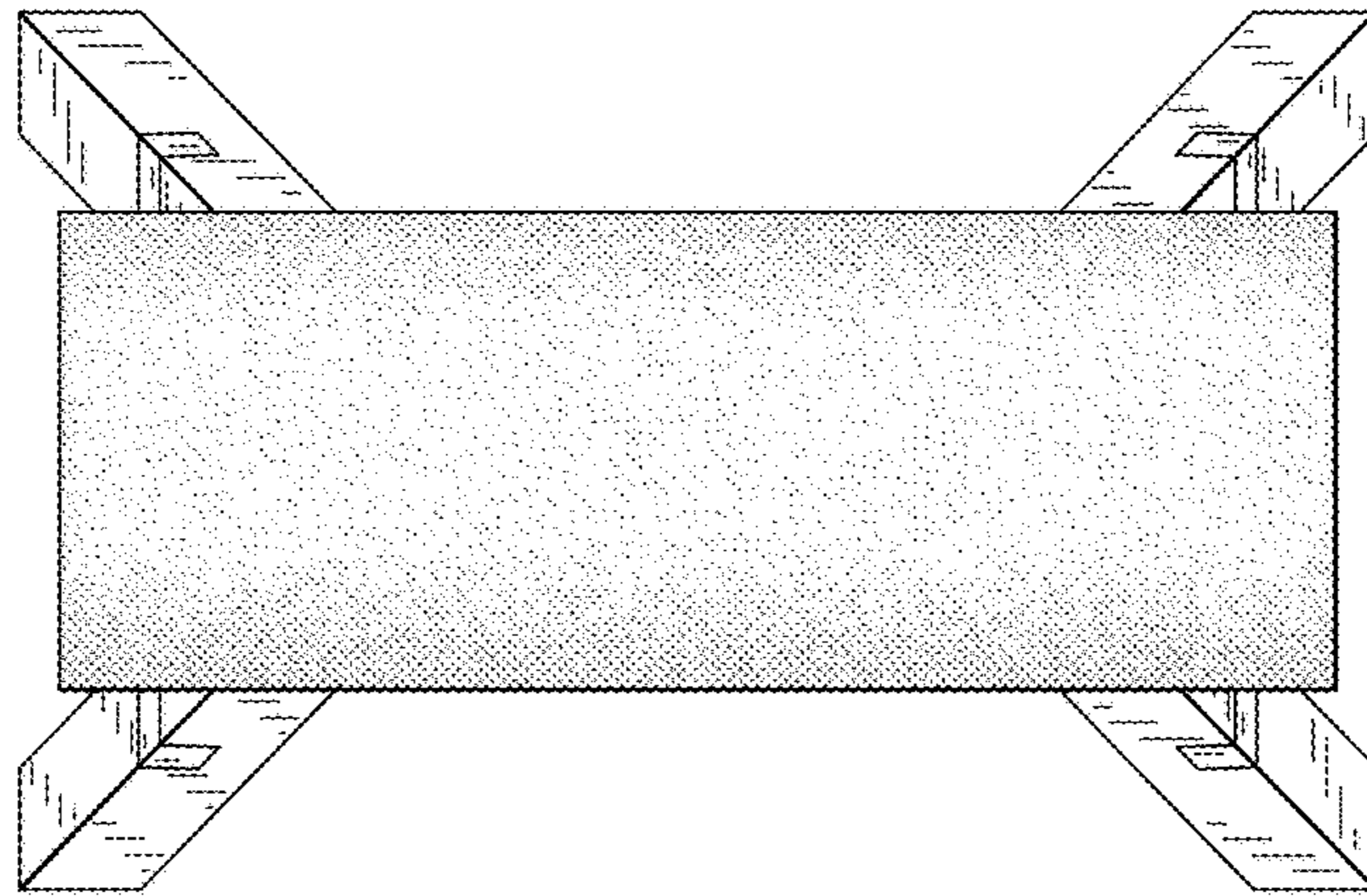


**FIG. 5**

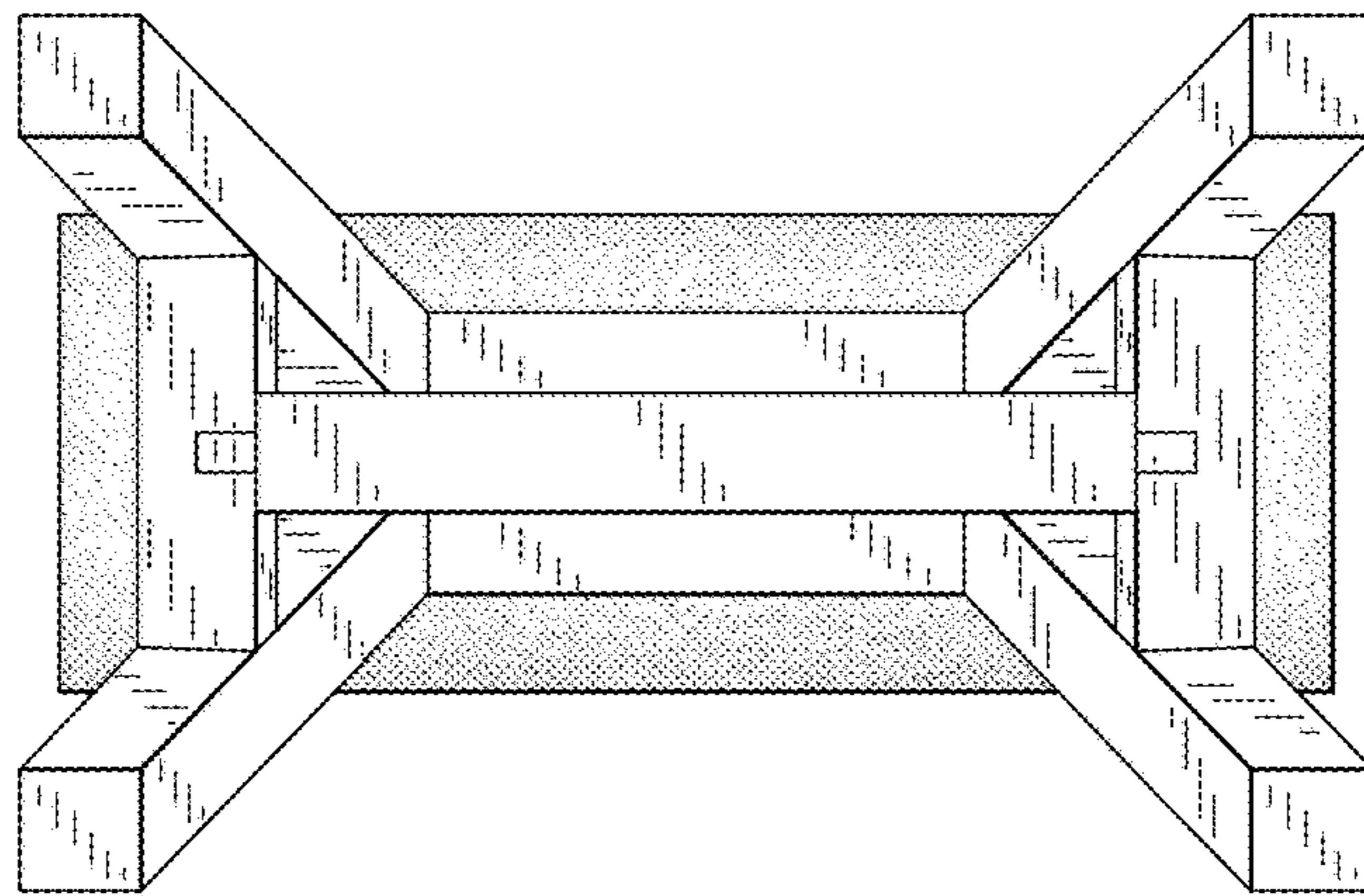


**FIG. 6**





*FIG. 7*



*FIG. 8*