

US00D852370S

(12) **United States Design Patent** (10) **Patent No.:** **US D852,370 S**
Marton et al. (45) **Date of Patent:** **** Jun. 25, 2019**

(54) **VIBRATION AND HEAT GENERATION APPARATUS**

(71) Applicant: **Hyper Ice, Inc.**, Irvine, CA (US)

(72) Inventors: **Robert Marton**, Yorba Linda, CA (US); **Anthony Katz**, Laguna Niguel, CA (US)

(73) Assignee: **Hyper Ice, Inc.**, Irvine, CA (US)

(**) Term: **15 Years**

(21) Appl. No.: **29/610,761**

(22) Filed: **Jul. 14, 2017**

(51) **LOC (11) Cl.** **24-04**

(52) **U.S. Cl.**
USPC **D24/206**

(58) **Field of Classification Search**
USPC D24/206–208, 200, 214–215
CPC A61F 7/02; A61F 7/007; A61F 2007/0295;
A61H 1/008; A61H 7/001; A61H 7/003;
A61H 7/004; A61H 7/005; A61H 23/02;
A61H 2201/0207; A61H 2201/0228;
A61H 2201/0271; A61H 2201/10; A61H
2201/165

See application file for complete search history.

(56) **References Cited**

U.S. PATENT DOCUMENTS

- 2,582,617 A * 1/1952 August A61H 23/0218
D24/206
- 5,817,145 A * 10/1998 Augustine A61F 7/007
607/96
- D556,912 S * 12/2007 Piacentino D24/206
- 9,192,326 B2 11/2015 Kahn et al.
- 9,636,521 B2 * 5/2017 Isserow A61F 7/007
- D811,613 S 2/2018 Marton et al.

- D811,614 S 2/2018 Marton et al.
- 2007/0255187 A1 11/2007 Branch
- 2009/0143707 A1 6/2009 Strahl
- 2012/0046579 A1 2/2012 Radl et al.
- 2014/0364778 A1 12/2014 Leftly et al.
- 2017/0312119 A1* 11/2017 Oh A61F 7/007
- 2019/0015295 A1* 1/2019 Marton A61H 23/02

OTHER PUBLICATIONS

http://www.alibaba.com/product-detail/Far-infrared-Arthrosis-hot-message.apparatus_6005767663827.html—accessed online Jun. 8, 2015.

* cited by examiner

Primary Examiner — Wan Laymon

(74) *Attorney, Agent, or Firm* — Patterson Intellectual Property Law, P.C.; Jerry Turner Sewell

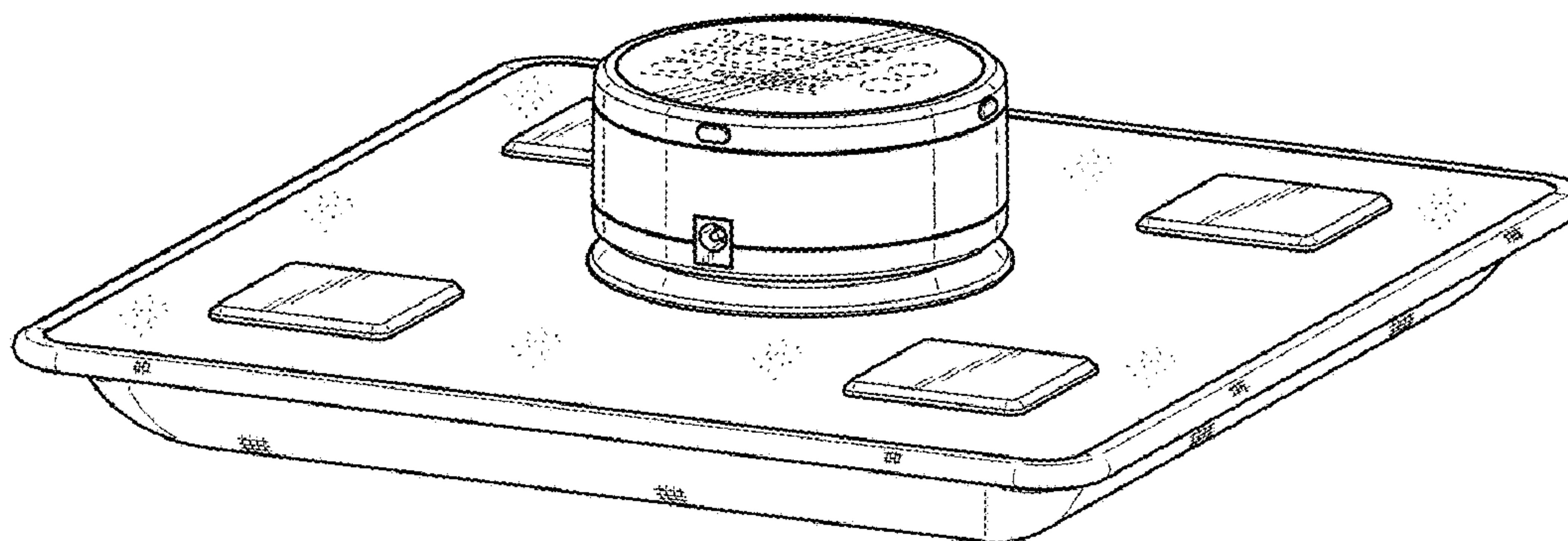
(57) **CLAIM**

The ornamental design for a vibration and heat generation apparatus, as shown and described.

DESCRIPTION

FIG. 1 is a top perspective view of a vibration and heat generation apparatus of the present design. FIG. 2 is a bottom perspective view thereof. FIG. 3 is a top plan view thereof. FIG. 4 is a front elevational view thereof. FIG. 5 is a rear elevational view thereof. FIG. 6 is a bottom plan view thereof. FIG. 7 is a left elevational view thereof; and, FIG. 8 is a right elevational view thereof. In FIGS. 1 and 3, broken lines show portions of the vibration and heat generation apparatus which form no part of the claimed design.

1 Claim, 3 Drawing Sheets



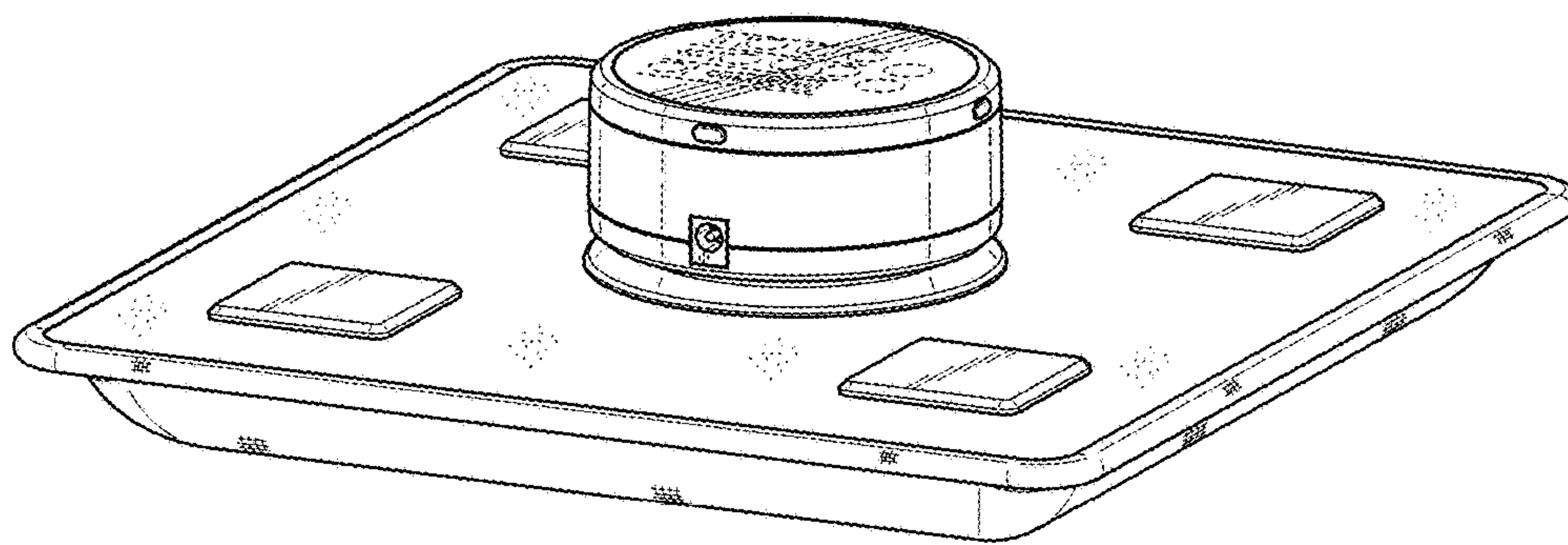


FIG. 1

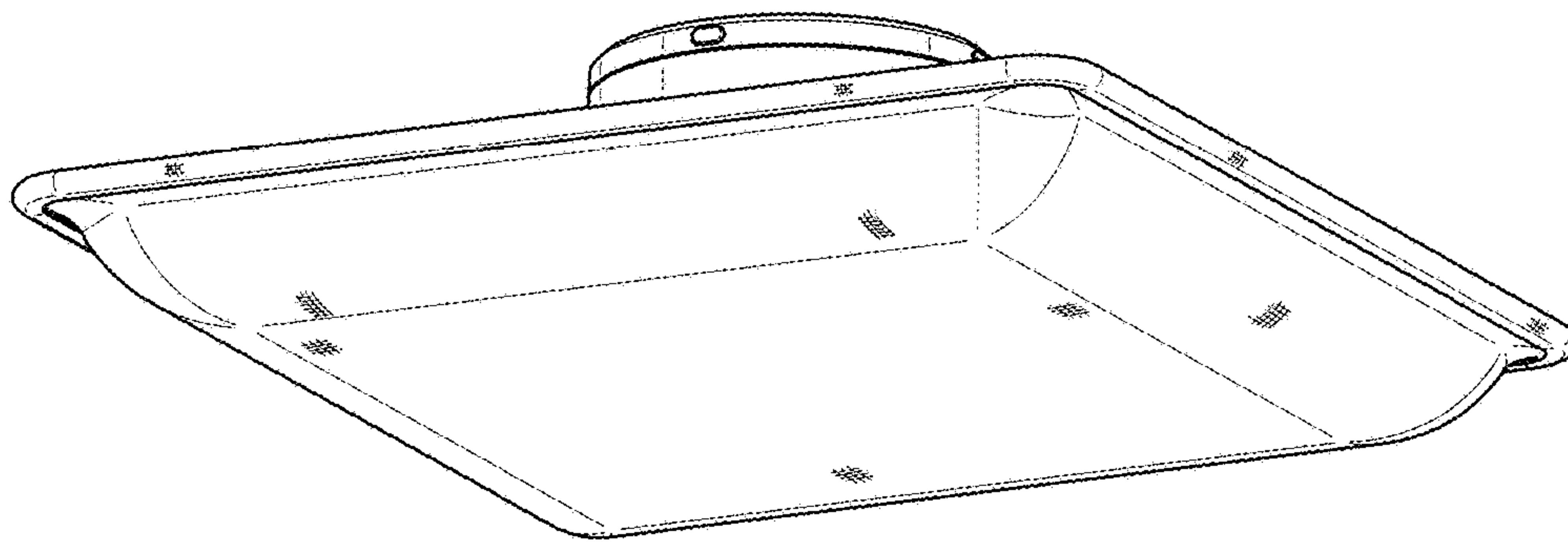


FIG. 2

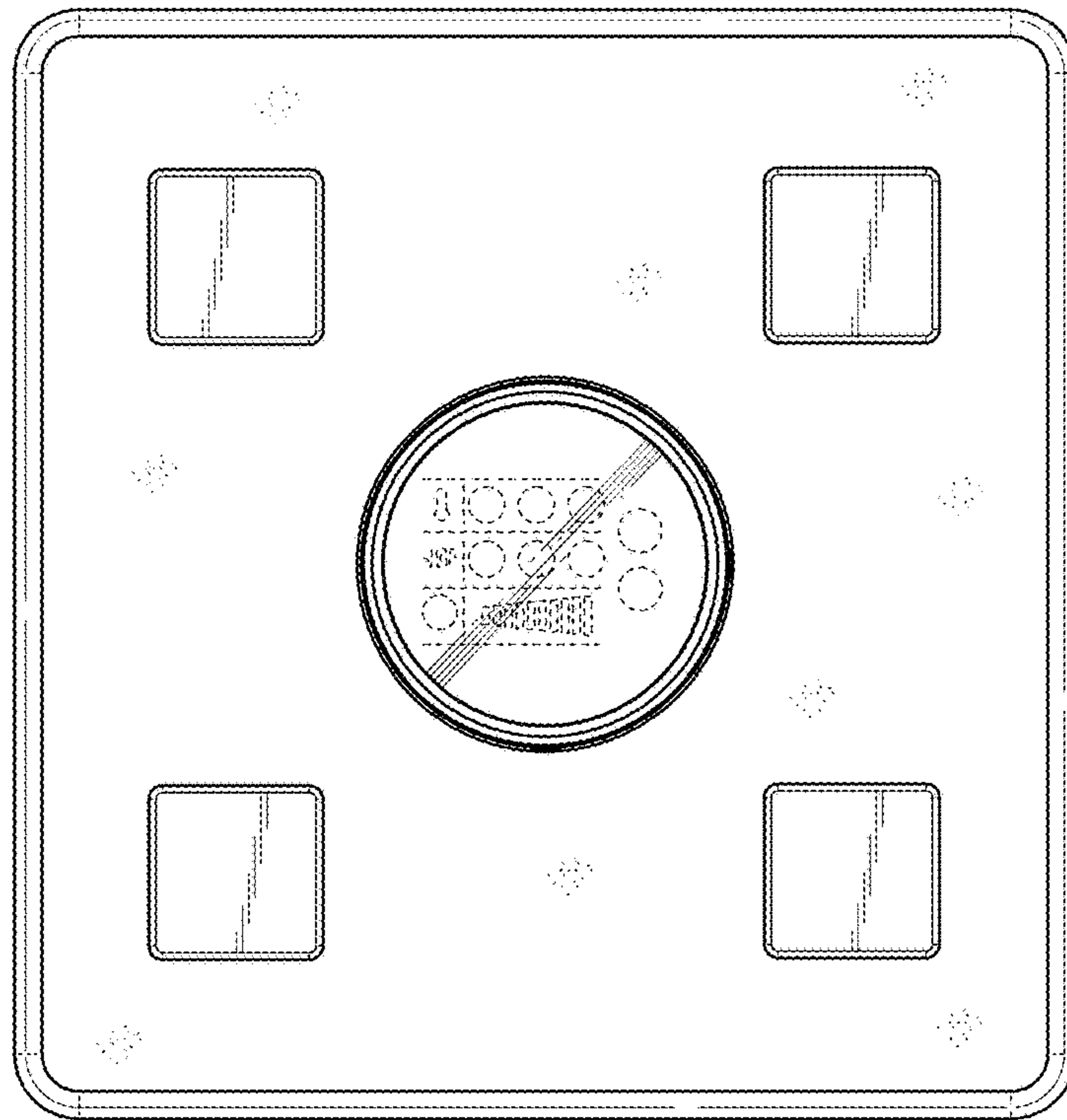


FIG. 3

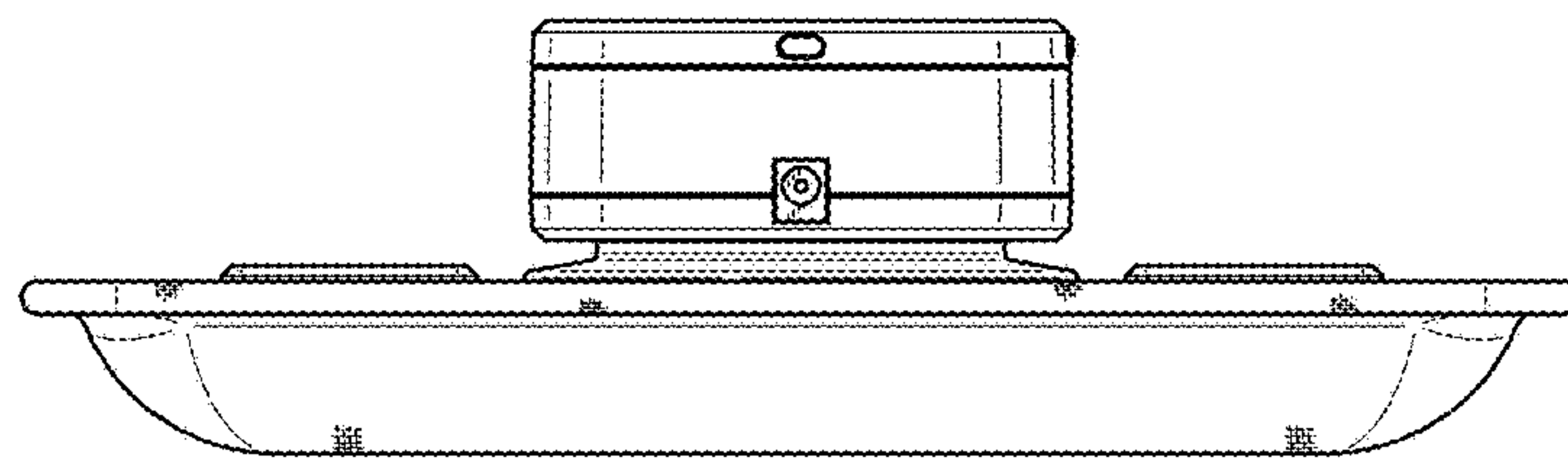


FIG. 4

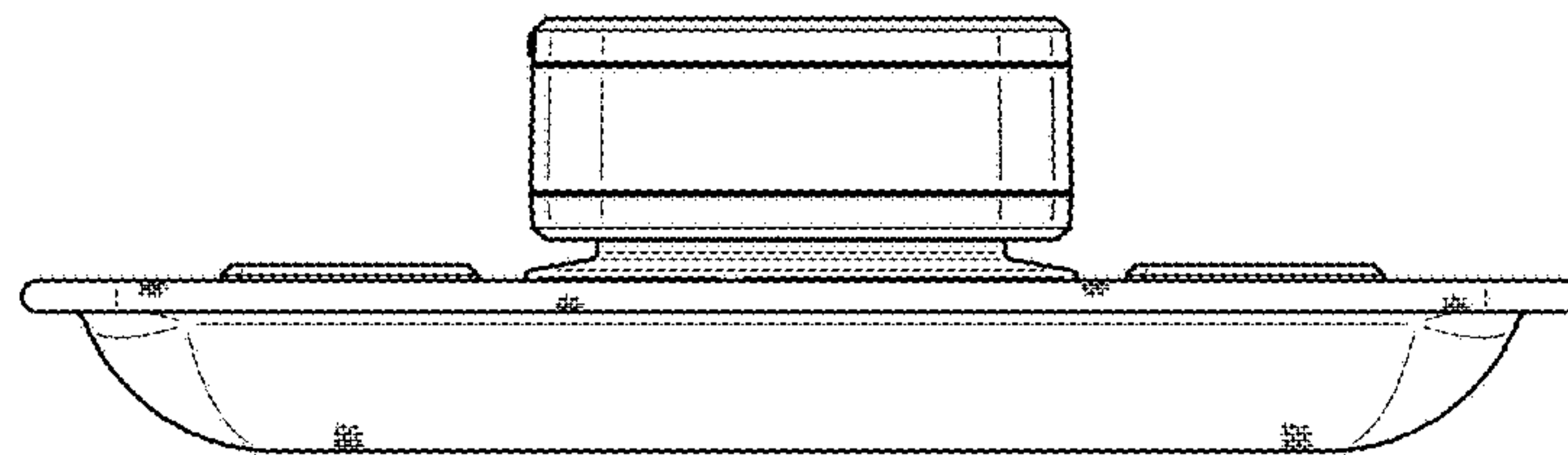


FIG. 5

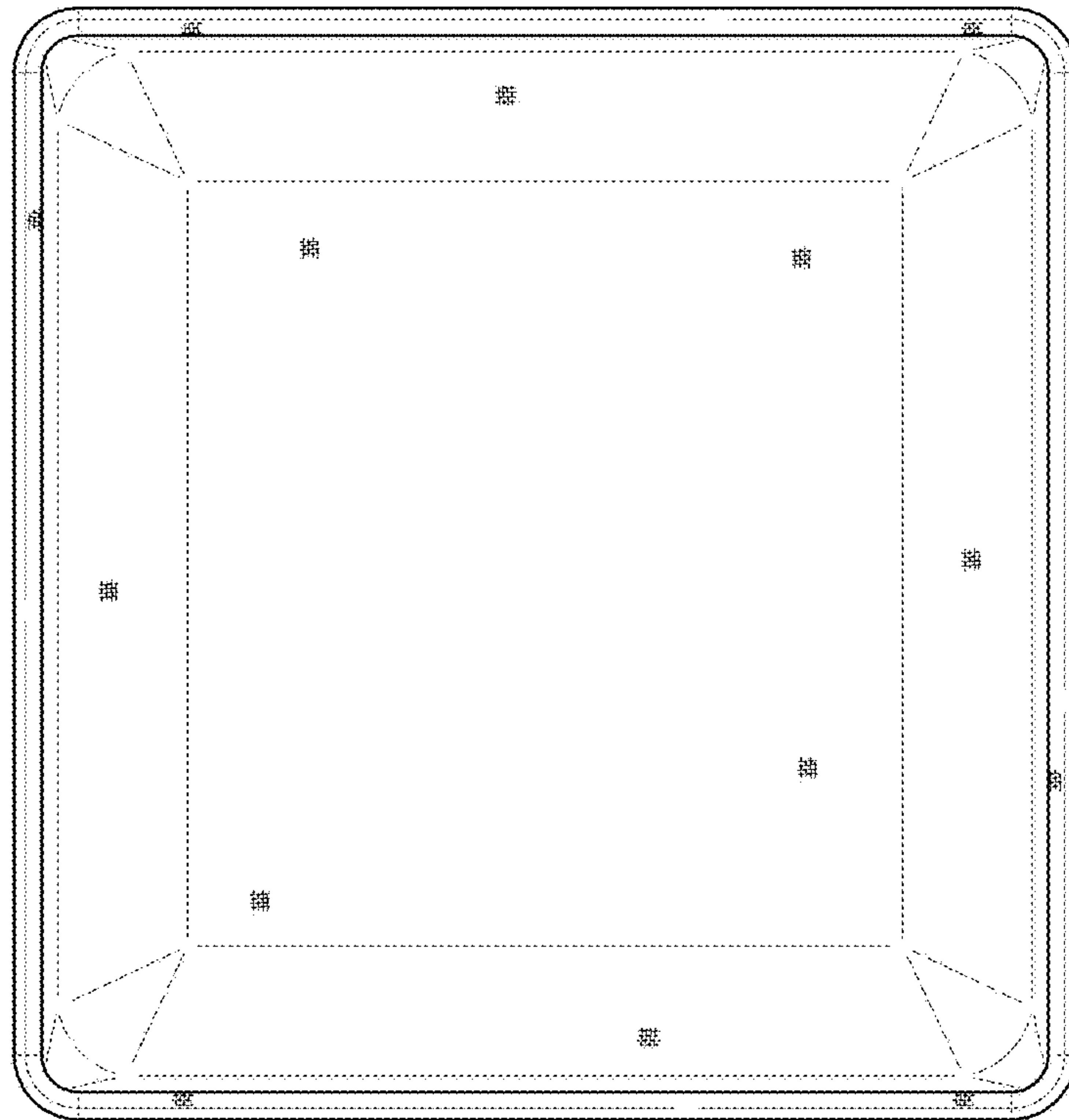


FIG. 6

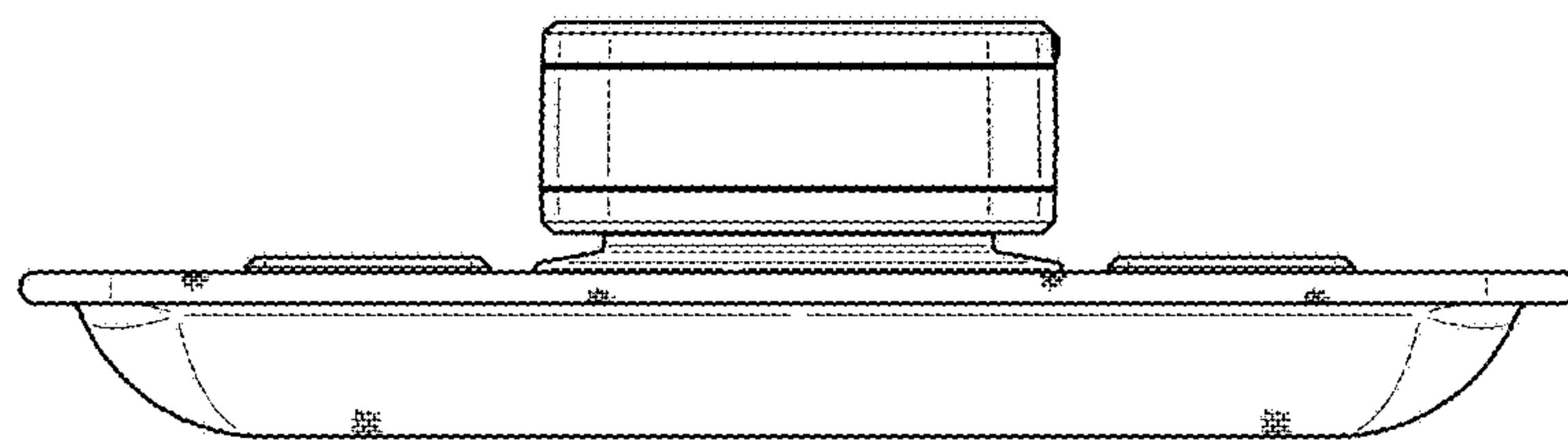


FIG. 7

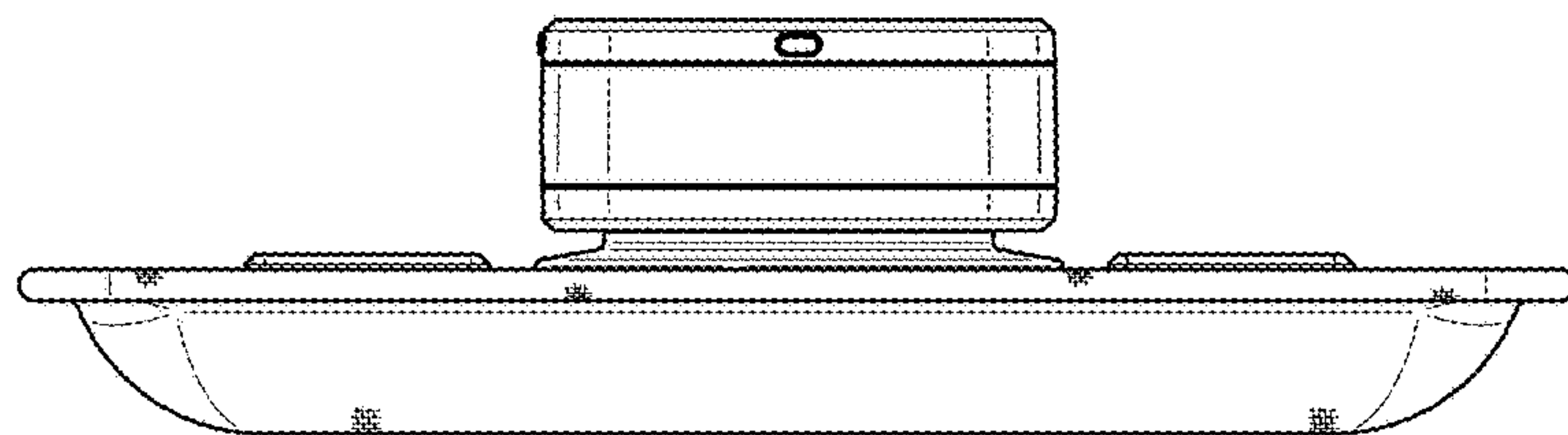


FIG. 8