



US00D852366S

(12) **United States Design Patent**
Sargent et al.

(10) **Patent No.:** **US D852,366 S**
(45) **Date of Patent:** **** Jun. 25, 2019**

- (54) **ELECTRODE**
- (71) Applicant: **X Development LLC**, Mountain View, CA (US)
- (72) Inventors: **Joseph Hollis Sargent**, San Francisco, CA (US); **Sarah Ann Laszlo**, Mountain View, CA (US); **Brian John Adolf**, San Mateo, CA (US)
- (73) Assignee: **X Development LLC**, Mountain View, CA (US)
- (**) Term: **15 Years**
- (21) Appl. No.: **29/619,309**
- (22) Filed: **Sep. 28, 2017**
- (51) **LOC (11) Cl.** **24-02**
- (52) **U.S. Cl.**
USPC **D24/187**
- (58) **Field of Classification Search**
USPC D24/107, 168, 186, 187, 189, 200;
D21/373, 460, 461
CPC A61B 5/0002; A61B 5/042; A61B 5/0404;
A61B 5/0416; A61B 5/0422; A61B 5/0424;
A61B 5/0492; A61B 5/04004; A61B 5/0402;
A61B 5/04012; A61B 5/04082; A61B 5/04085; A61B 5/04087;
A61N 1/046; A61N 1/0472; A61N 1/0476; A61N 1/0492
See application file for complete search history.

- D327,325 S 6/1992 Strand
 - D357,069 S 4/1995 Plahn
 - 5,402,780 A * 4/1995 Faasse, Jr. A61B 5/0408
29/877
 - D364,899 S * 12/1995 Molenaar D21/460
 - D369,667 S 5/1996 Vincents et al.
 - D378,614 S 3/1997 Jensen
 - D385,037 S 10/1997 Jensen
 - D397,376 S * 8/1998 Hwang D21/460
 - D422,711 S 4/2000 Park
- (Continued)

OTHER PUBLICATIONS

Bauhaus Spinning Top. Online, published date unknown. Retrieved on Nov. 14, 2018 from URL: <https://maammo.com/products/bauhaus-spinning-top>.*

Primary Examiner — Susan Bennett Hattan
Assistant Examiner — Omeed Agilee
(74) *Attorney, Agent, or Firm* — Fish & Richardson P.C.

(57) **CLAIM**

The ornamental design for an electrode, substantially as shown and described.

DESCRIPTION

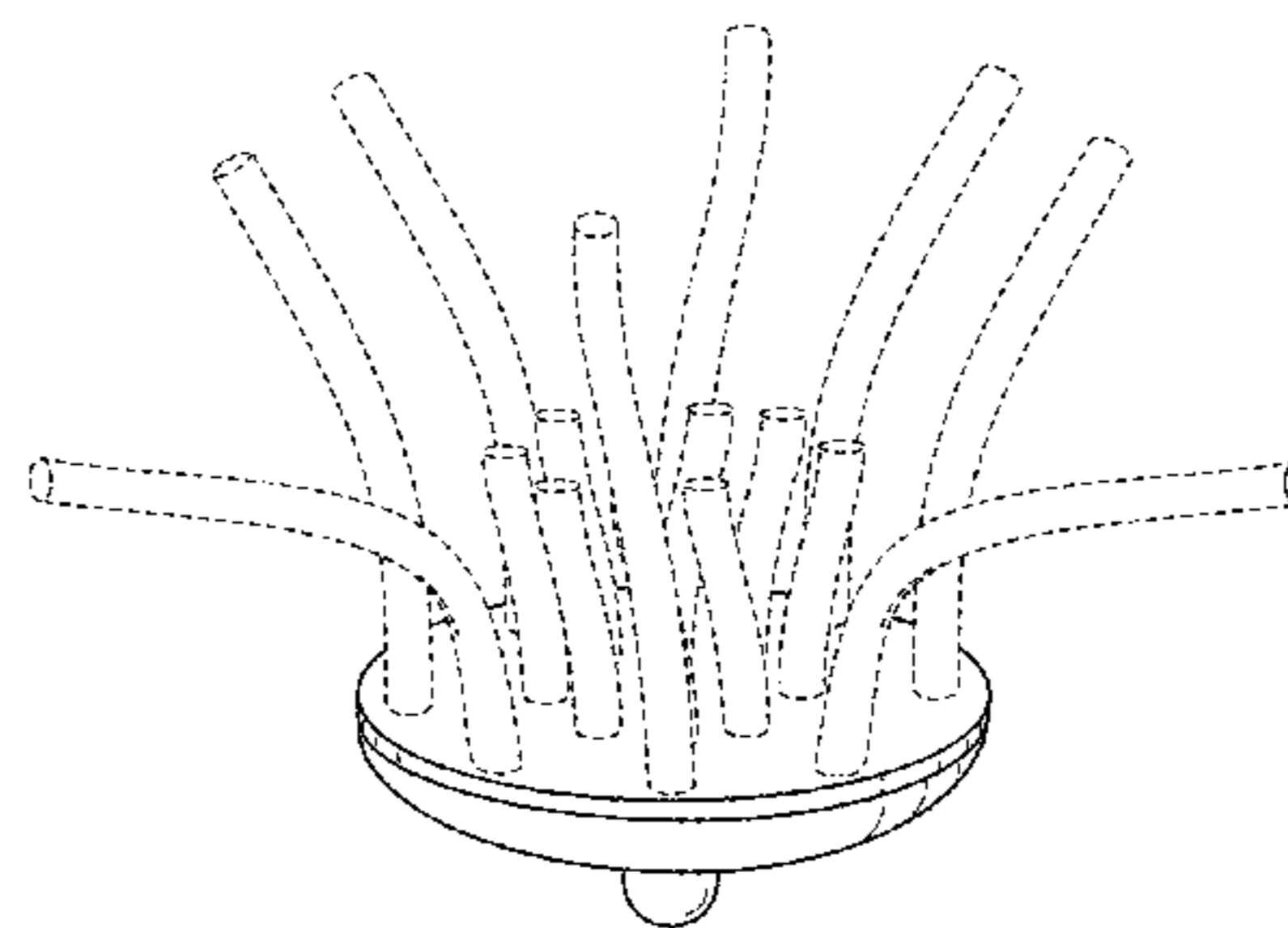
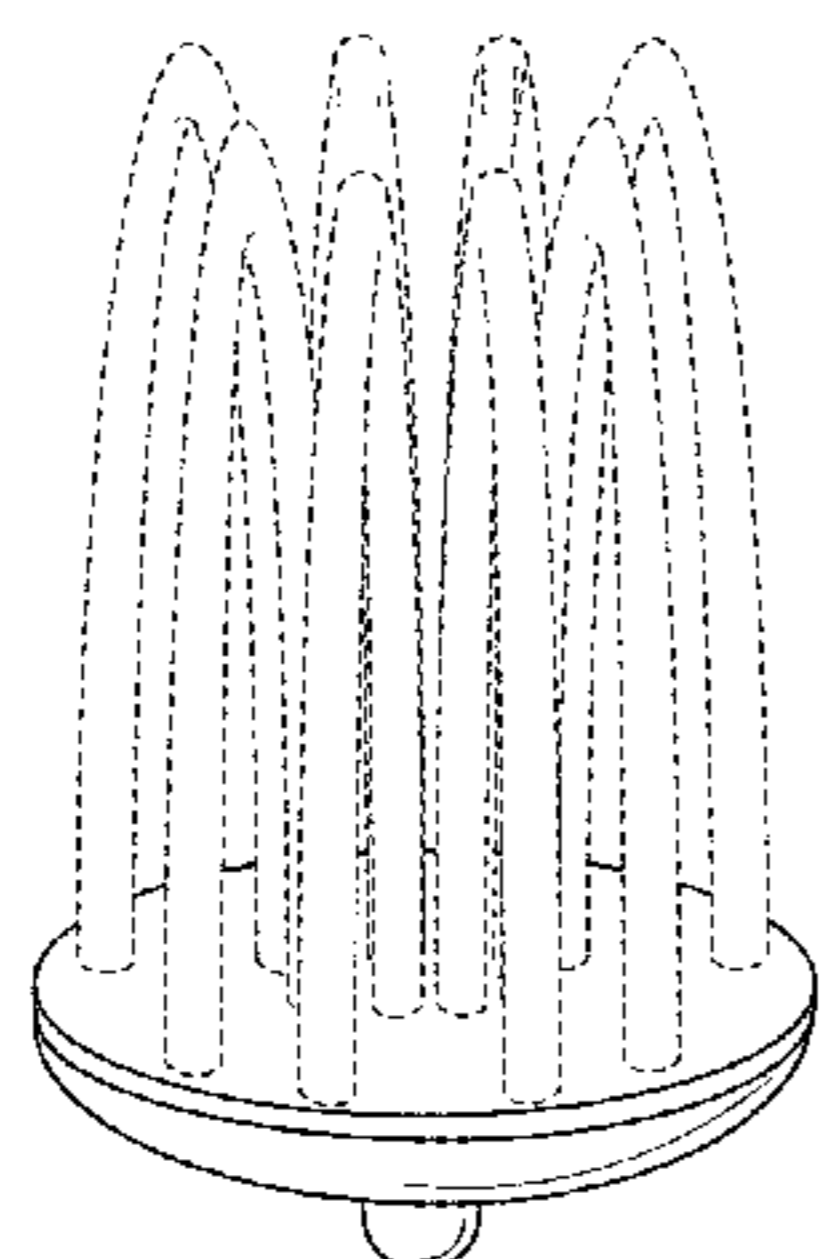
FIG. 1 is a perspective rear view of a first embodiment of an electrode.
FIG. 2 is a rear view of the embodiment of FIG. 1.
FIG. 3 is a front view of the embodiment of FIG. 1.
FIG. 4 is a left side view of the embodiment of FIG. 1.
FIG. 5 is a right side view of the embodiment of FIG. 1.
FIG. 6 is a top view of the embodiment of FIG. 1.
FIG. 7 is a bottom view of the embodiment of FIG. 1.
FIG. 8 is a perspective rear view of a second embodiment of an electrode; and,
FIG. 9 is a perspective rear view of a third embodiment of an electrode.
The broken lines in each figure depict features of the electrode that form no part of the claimed design.

1 Claim, 3 Drawing Sheets

(56) **References Cited**

U.S. PATENT DOCUMENTS

- 1,872,203 A * 8/1932 Wily A63H 1/00
446/243
- 3,253,595 A 5/1966 Murphy, Jr.
- D292,229 S 10/1987 Knudson
- D295,784 S 5/1988 Inoue
- D317,502 S 6/1991 Doty
- D318,330 S 7/1991 Doty



(56)

References Cited

U.S. PATENT DOCUMENTS

D429,337 S 8/2000 Sanfilippo
 D432,240 S 10/2000 Katz
 D456,907 S * 5/2002 Sanfilippo D24/187
 D462,402 S * 9/2002 Makhotkin D21/460
 D468,433 S * 1/2003 Wagner D24/187
 D471,281 S * 3/2003 Baura D24/187
 D475,138 S * 5/2003 Baura D24/187
 6,574,513 B1 6/2003 Collura et al.
 D478,173 S 8/2003 Nielsen
 D478,668 S 8/2003 Epstein
 6,640,122 B2 10/2003 Manoli et al.
 D495,055 S * 8/2004 Silber D24/187
 D508,997 S 8/2005 Hairfield, Sr.
 D510,440 S 10/2005 Huang
 6,998,031 B1 2/2006 Hill
 D536,673 S 2/2007 Silber
 7,215,989 B1 * 5/2007 Burks A61B 5/04085
 600/391
 D567,374 S 4/2008 Reznik

D625,823 S 10/2010 Schneider et al.
 D685,035 S * 6/2013 Kanbar D21/460
 8,858,472 B2 10/2014 Gomez
 9,186,084 B2 11/2015 Chai et al.
 9,314,184 B2 4/2016 Chai et al.
 9,314,185 B2 4/2016 Chai et al.
 D758,595 S 6/2016 Zhao
 D768,096 S 10/2016 Fleischer
 D783,818 S 4/2017 Hermann et al.
 D790,088 S 6/2017 Yeffet
 D791,956 S 7/2017 Stewart
 D795,443 S 8/2017 Ho
 D797,297 S * 9/2017 Martin D24/187
 D821,587 S 6/2018 Vosch
 D821,588 S 6/2018 Vosch
 D826,412 S 8/2018 Martin
 2011/0046503 A1 2/2011 Pradeep et al.
 2015/0282760 A1 * 10/2015 Badower A61B 5/04012
 600/383
 2015/0343318 A1 * 12/2015 Liang A63H 1/00
 446/259

* cited by examiner

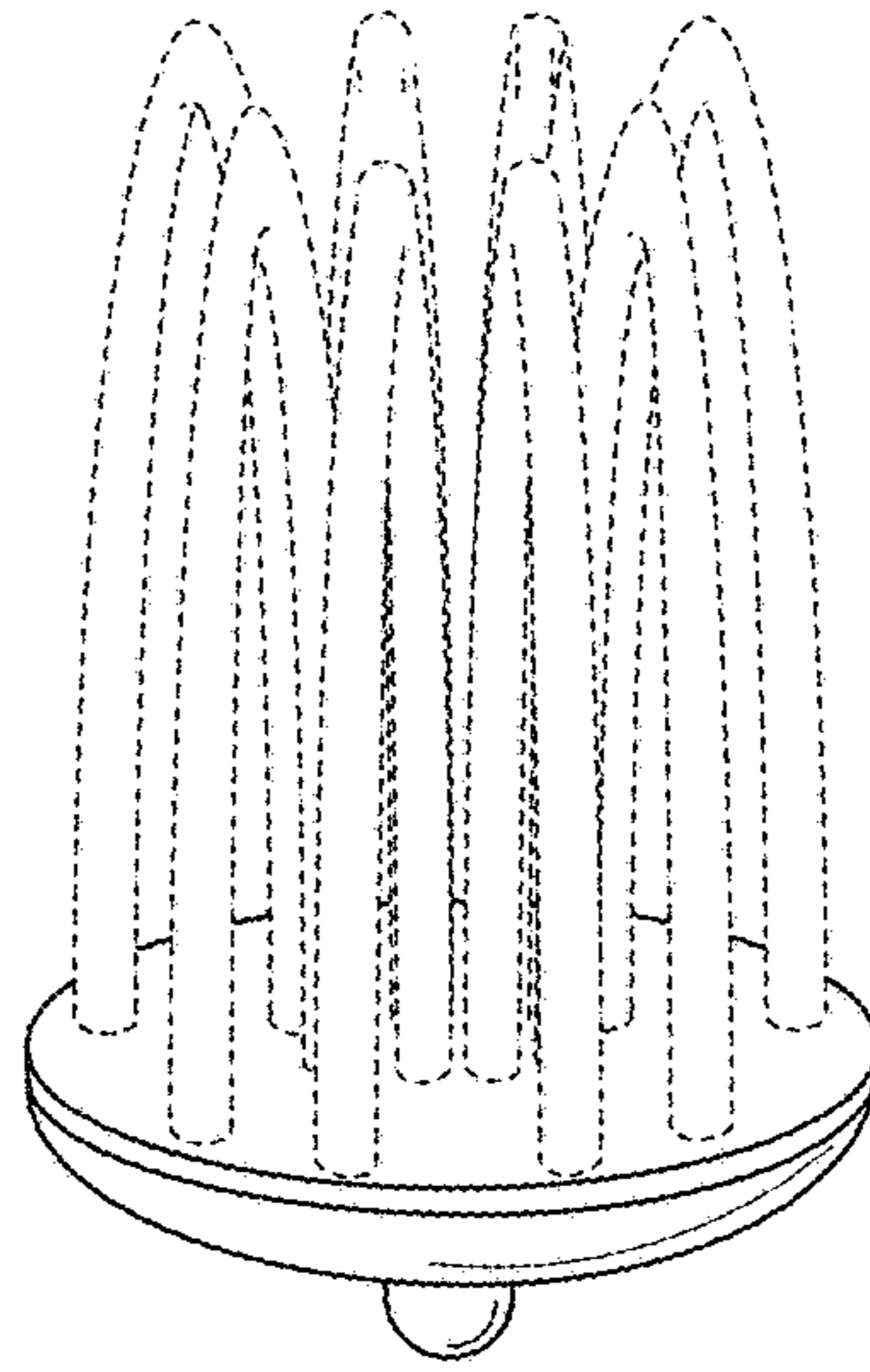


FIG. 1

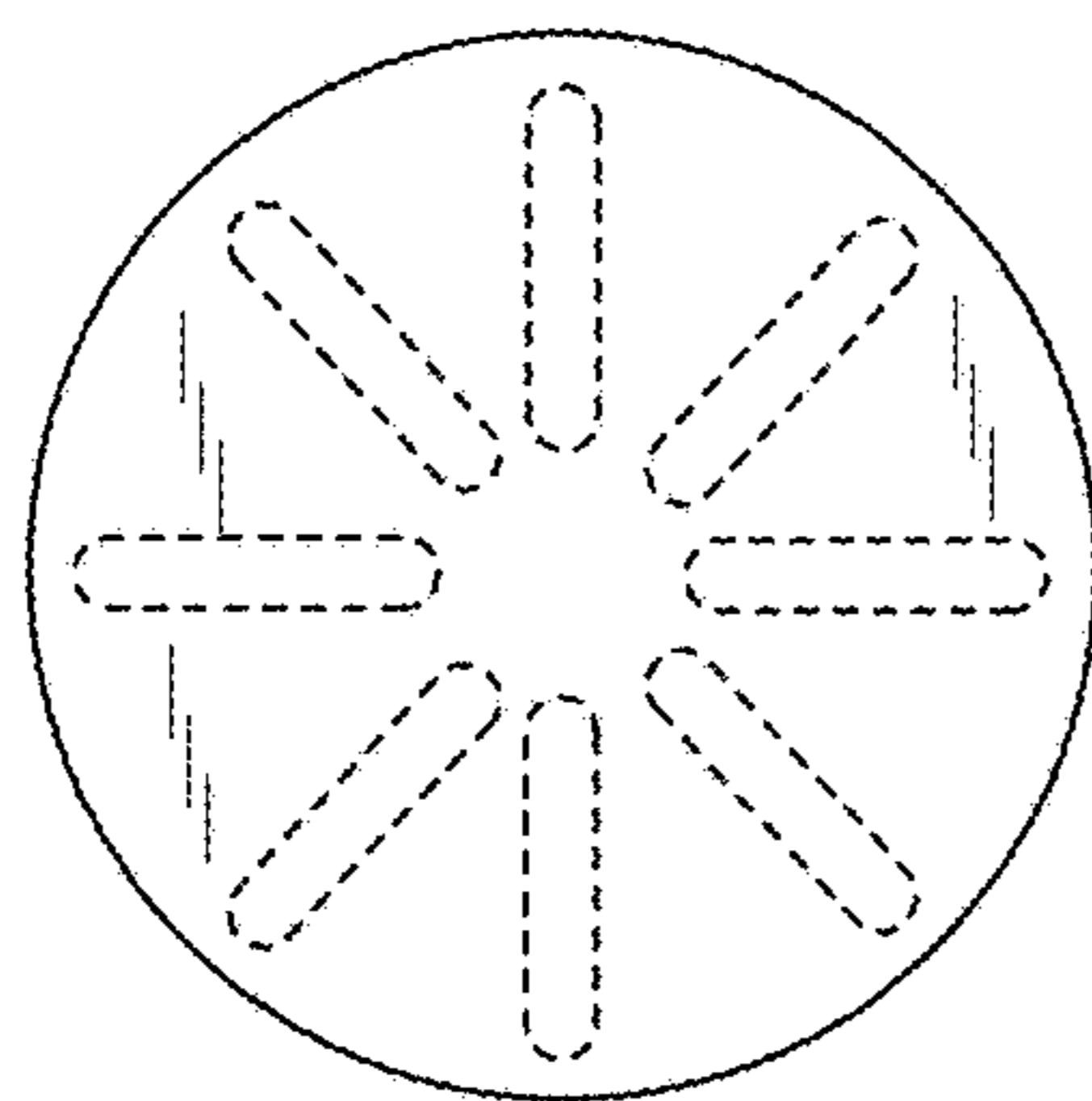


FIG. 6

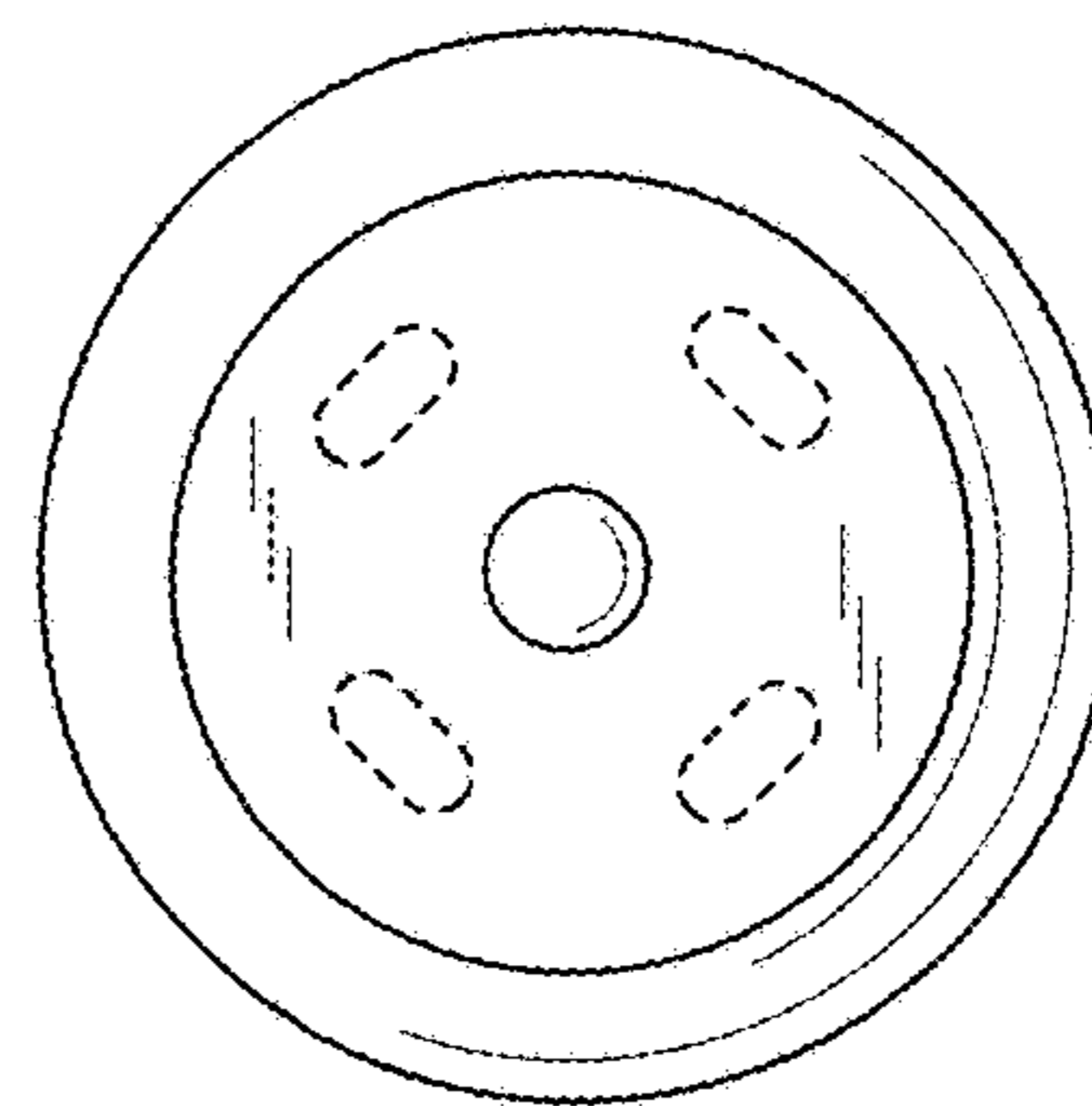


FIG. 7

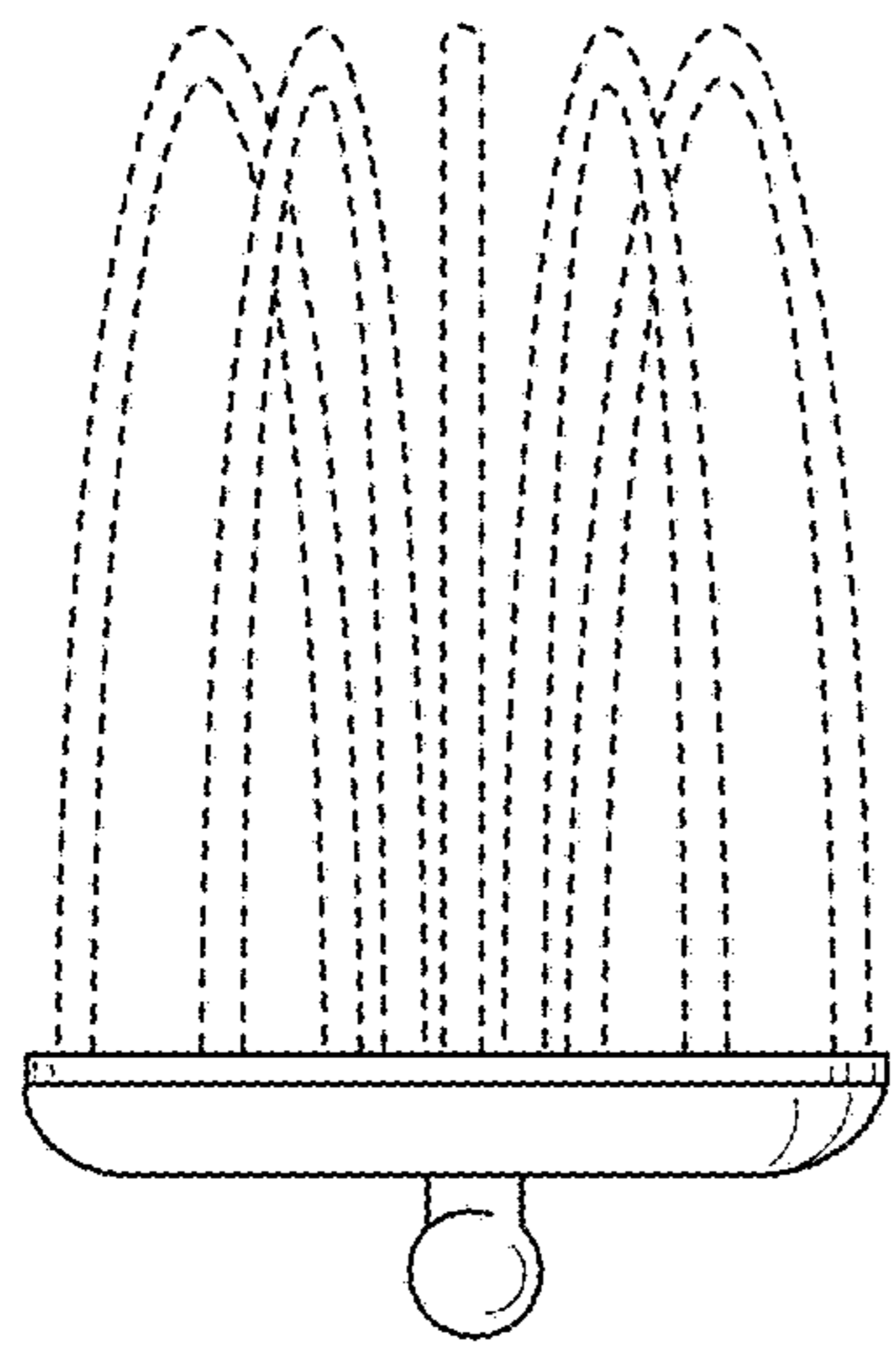


FIG. 2

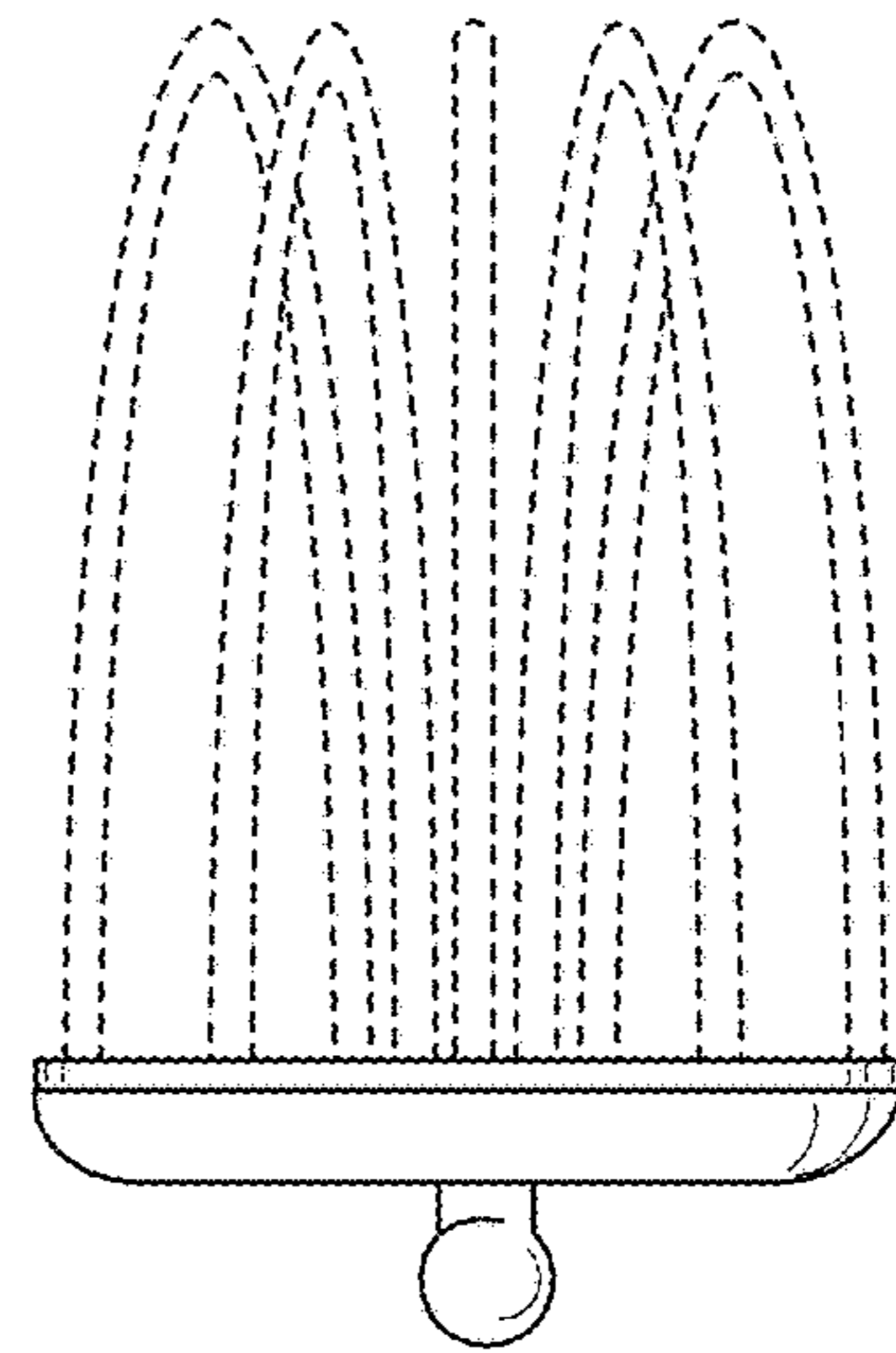


FIG. 3

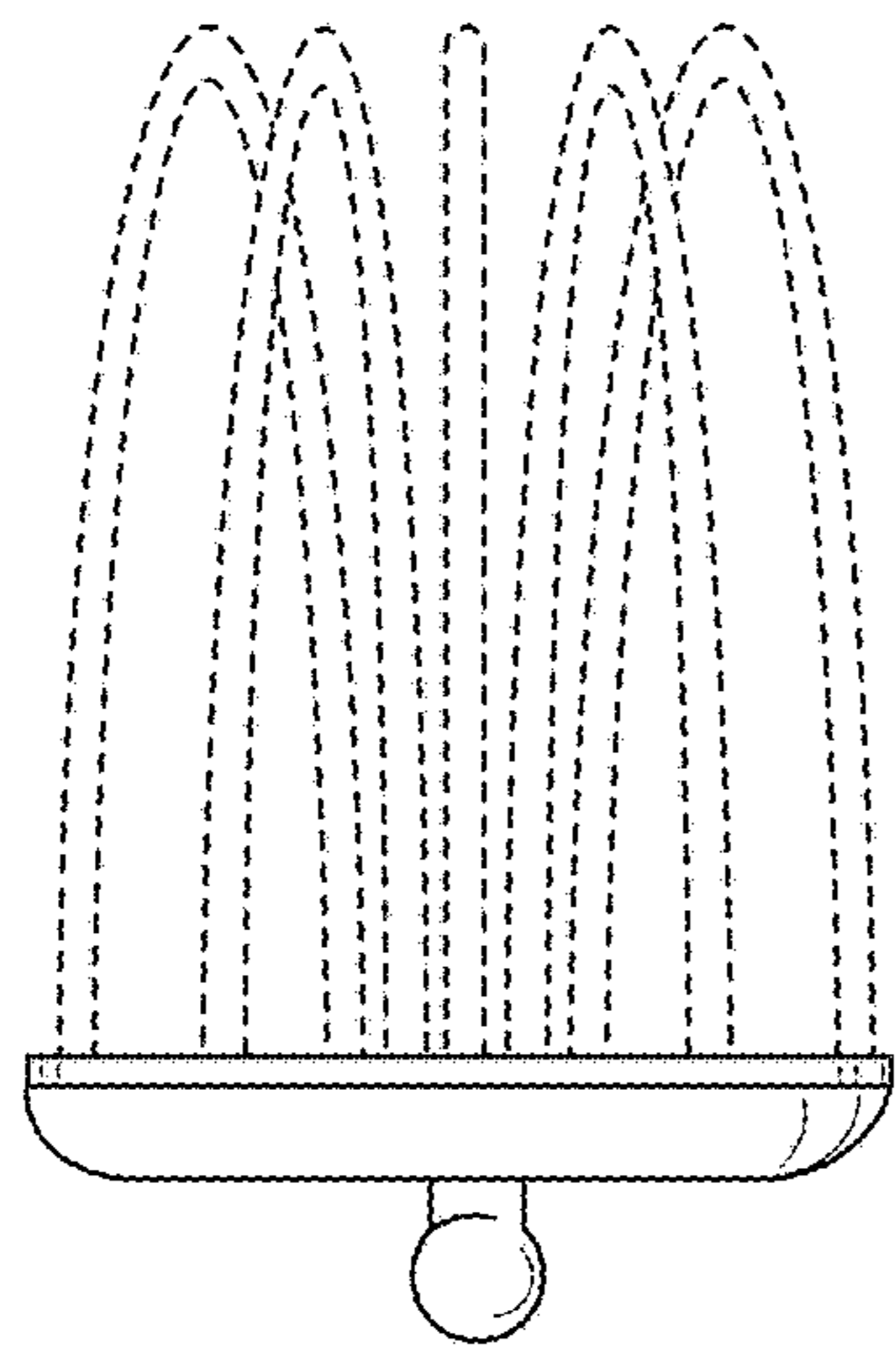


FIG. 4

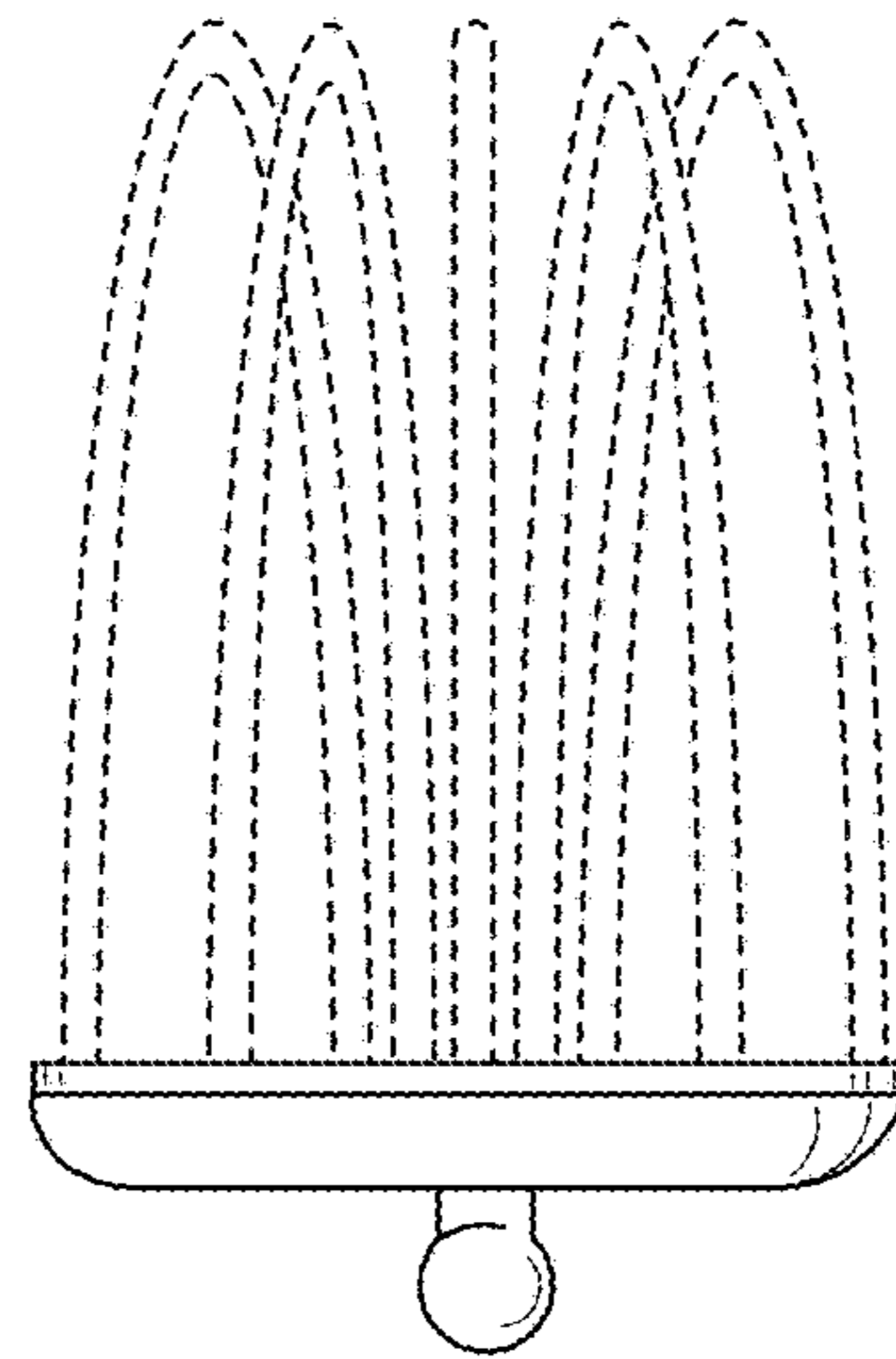


FIG. 5

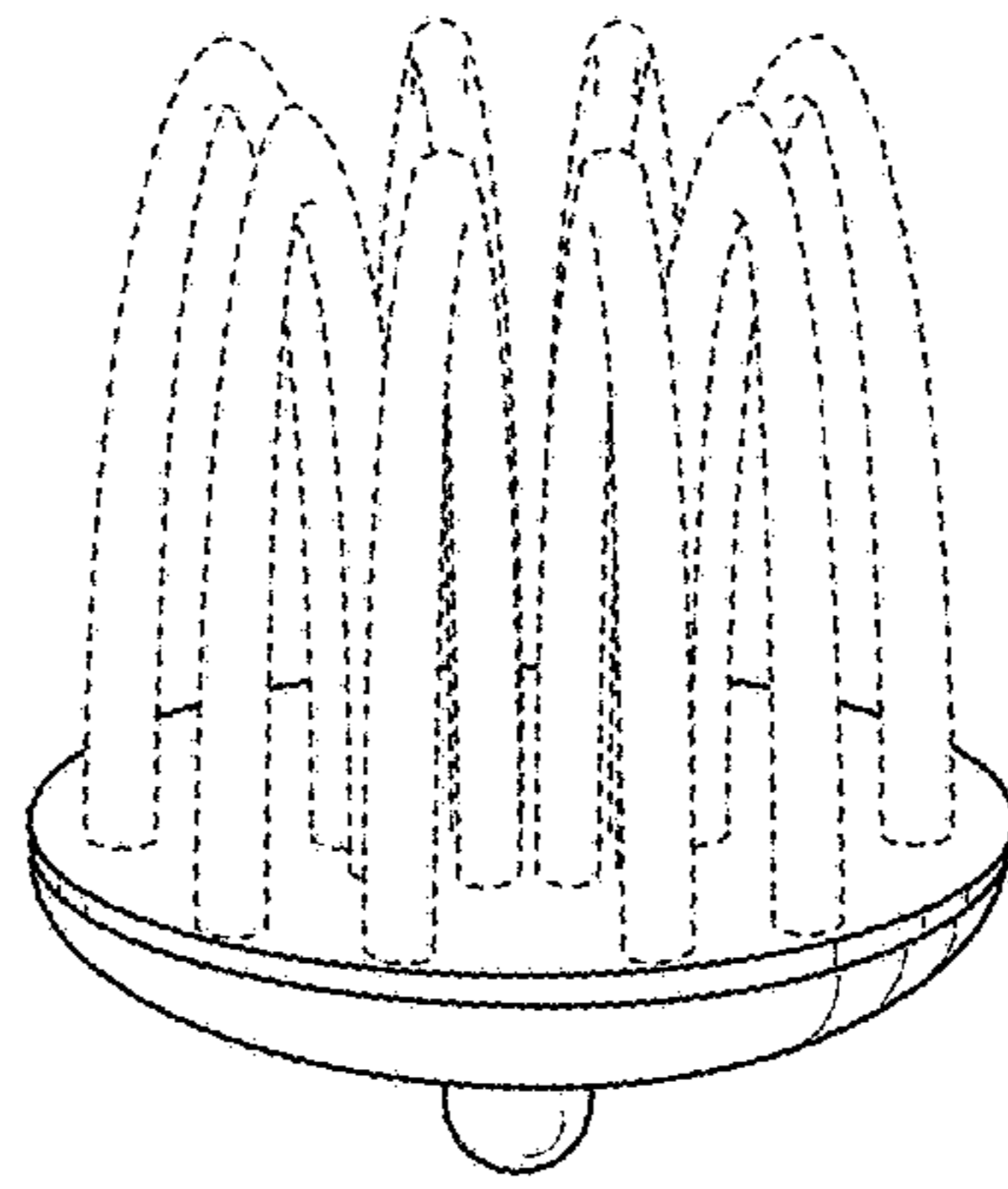


FIG. 8

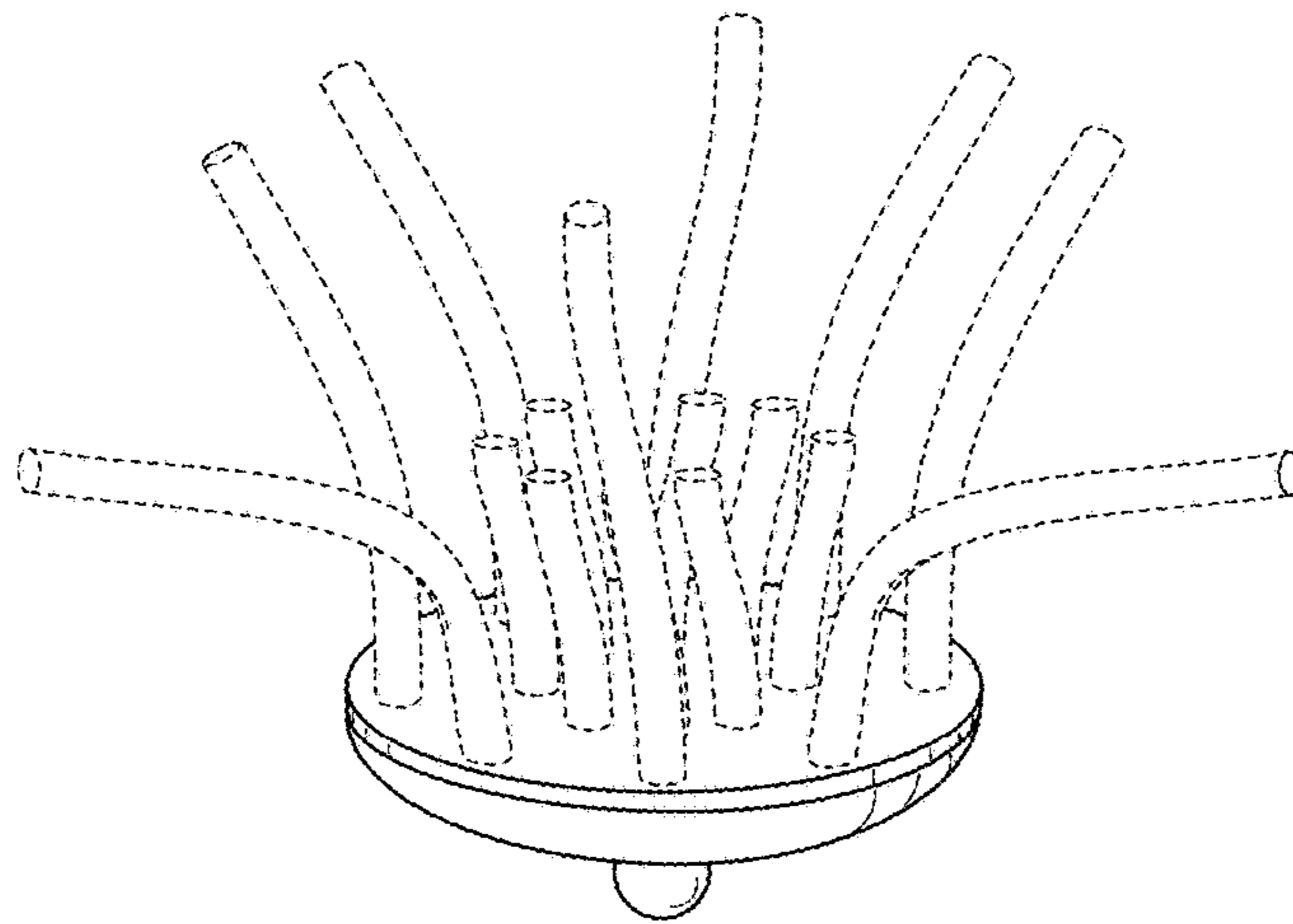


FIG. 9