



US00D852364S

(12) **United States Design Patent** (10) **Patent No.:** **US D852,364 S**
Bode (45) **Date of Patent:** **** Jun. 25, 2019**

(54) **DENTAL TRAINER REST** 5,180,308 A * 1/1993 Garito G09B 23/28
248/300
(71) Applicant: **Moog BV**, Nieuw-Vennep (NL) 8,764,452 B2 * 7/2014 Pravong G09B 23/30
434/272
(72) Inventor: **Cornelis H. D. (Dyon) Bode**, 9,070,306 B2 * 6/2015 Rappel G09B 23/30
Nieuw-Vennep (NL) D766,457 S * 9/2016 Cia D24/232
2018/0210553 A1 * 7/2018 Banerjee G09B 23/30

(73) Assignee: **MOOG BV**, Nieuw-Vennep (NL)

(**) Term: **15 Years**

(21) Appl. No.: **29/659,996**

(22) Filed: **Aug. 14, 2018**

Related U.S. Application Data

(62) Division of application No. 29/577,074, filed on Sep. 9, 2016.

(30) **Foreign Application Priority Data**

Mar. 11, 2016 (EM) 003025204-0001
Mar. 11, 2016 (EM) 003025204-0002

(51) **LOC (11) Cl.** **24-02**

(52) **U.S. Cl.**
USPC **D24/176; D19/59**

(58) **Field of Classification Search**
USPC D24/176-179, 182, 184-185, 128, 232,
D24/137, 150; D19/59, 62; 434/263
CPC A61C 3/00; G09B 23/283; G09B 23/286;
G09B 23/28; G09B 23/30
See application file for complete search history.

(56) **References Cited**

U.S. PATENT DOCUMENTS

D191,110 S * 8/1961 Weissman D24/182
3,943,629 A * 3/1976 Ueno G09B 23/283
434/263

OTHER PUBLICATIONS

Simodont Dental Trainer. Mar. 2014. Retrieved on Feb. 26, 2019.
Retrieved from the Internet: www.moog.com/haptics.*

* cited by examiner

Primary Examiner — Wan Laymon

(74) *Attorney, Agent, or Firm* — Hodgson Russ LLP

(57) **CLAIM**

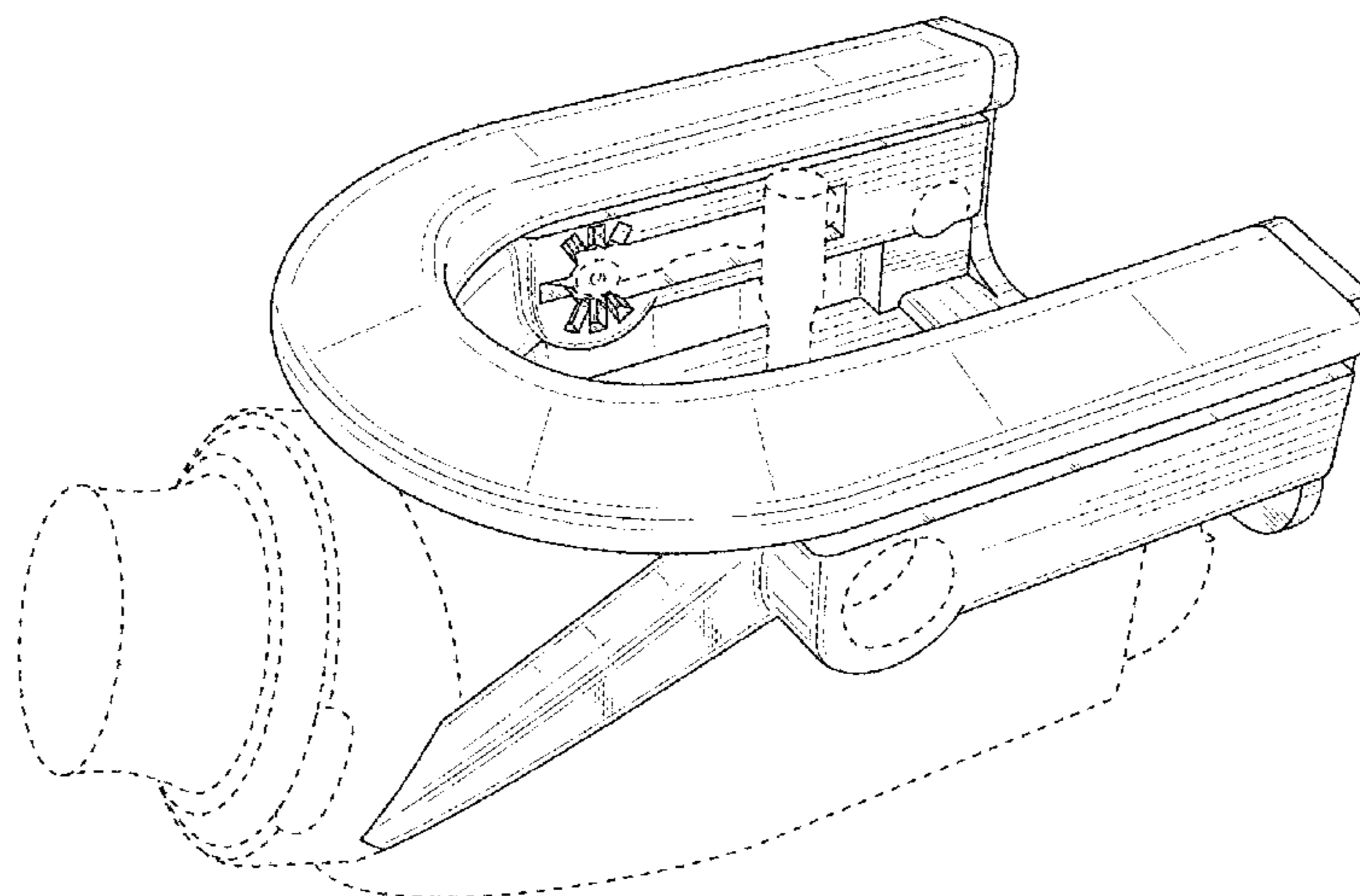
The ornamental design for a dental trainer rest, as shown and described.

DESCRIPTION

FIG. 1 is a front-top-right perspective view of a dental trainer rest;
FIG. 2 is a front-top-left perspective view thereof;
FIG. 3 is a front elevational view thereof;
FIG. 4 is a rear elevational view thereof;
FIG. 5 is a left side elevational view thereof;
FIG. 6 is a right side elevational view thereof;
FIG. 7 is a top plan view thereof;
FIG. 8 is a bottom plan view thereof; and,
FIG. 9 is another perspective view thereof, showing the dental trainer rest as part of an exemplary dental training device.

The broken lines illustrate unclaimed and/or environmental features of the dental trainer rest that form no part of the claimed design.

1 Claim, 9 Drawing Sheets



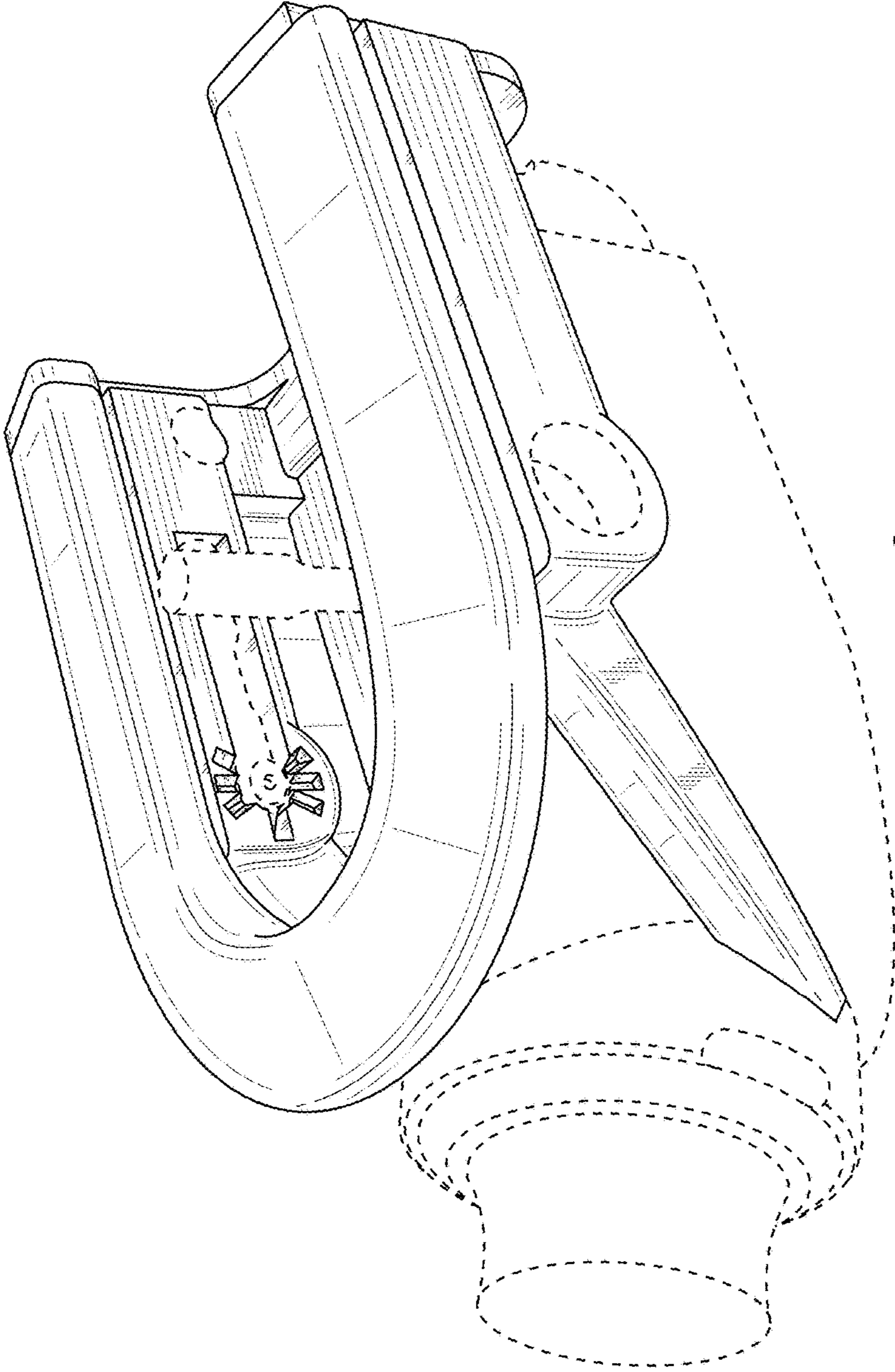


FIG. 1

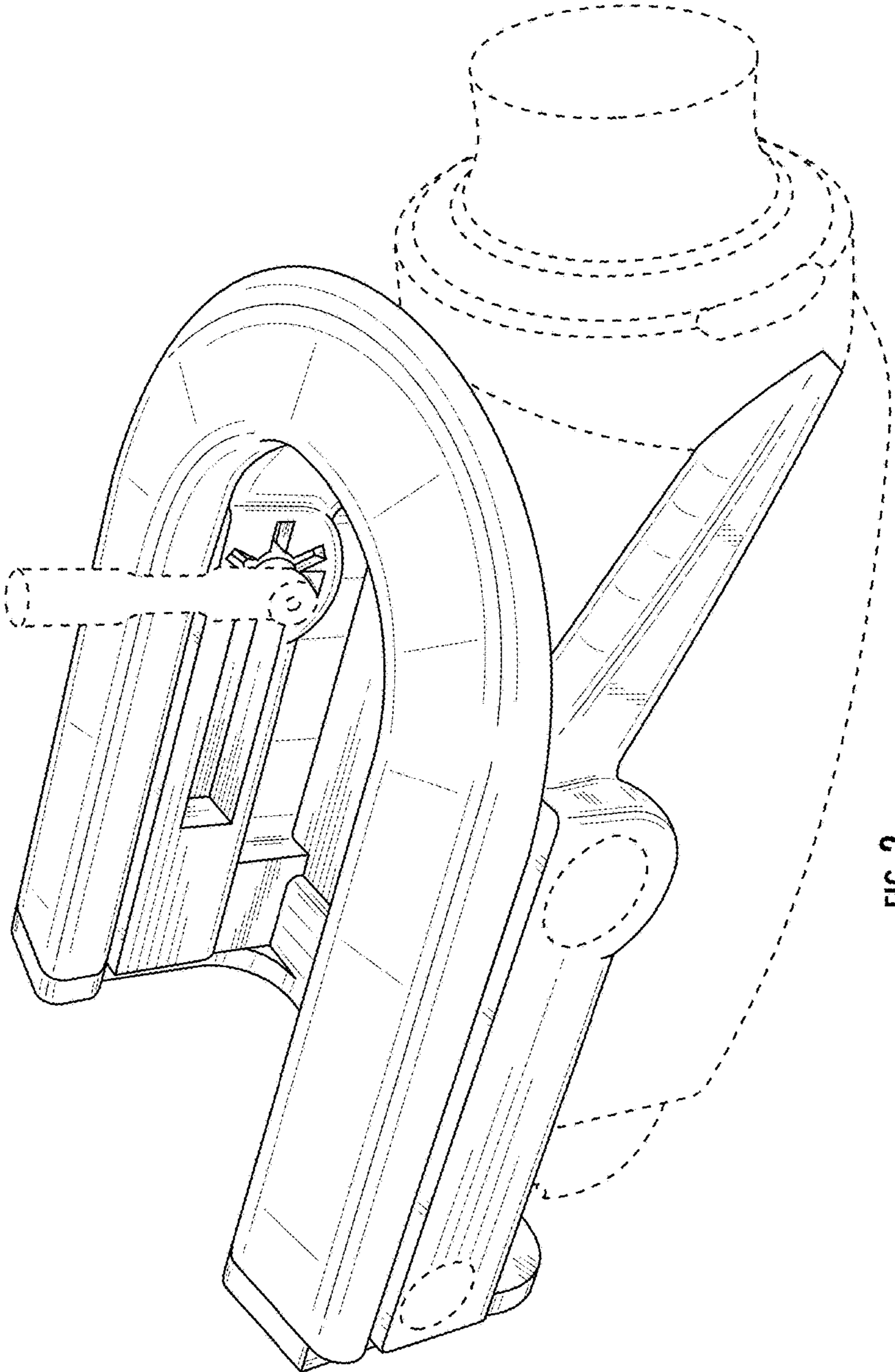


FIG. 2

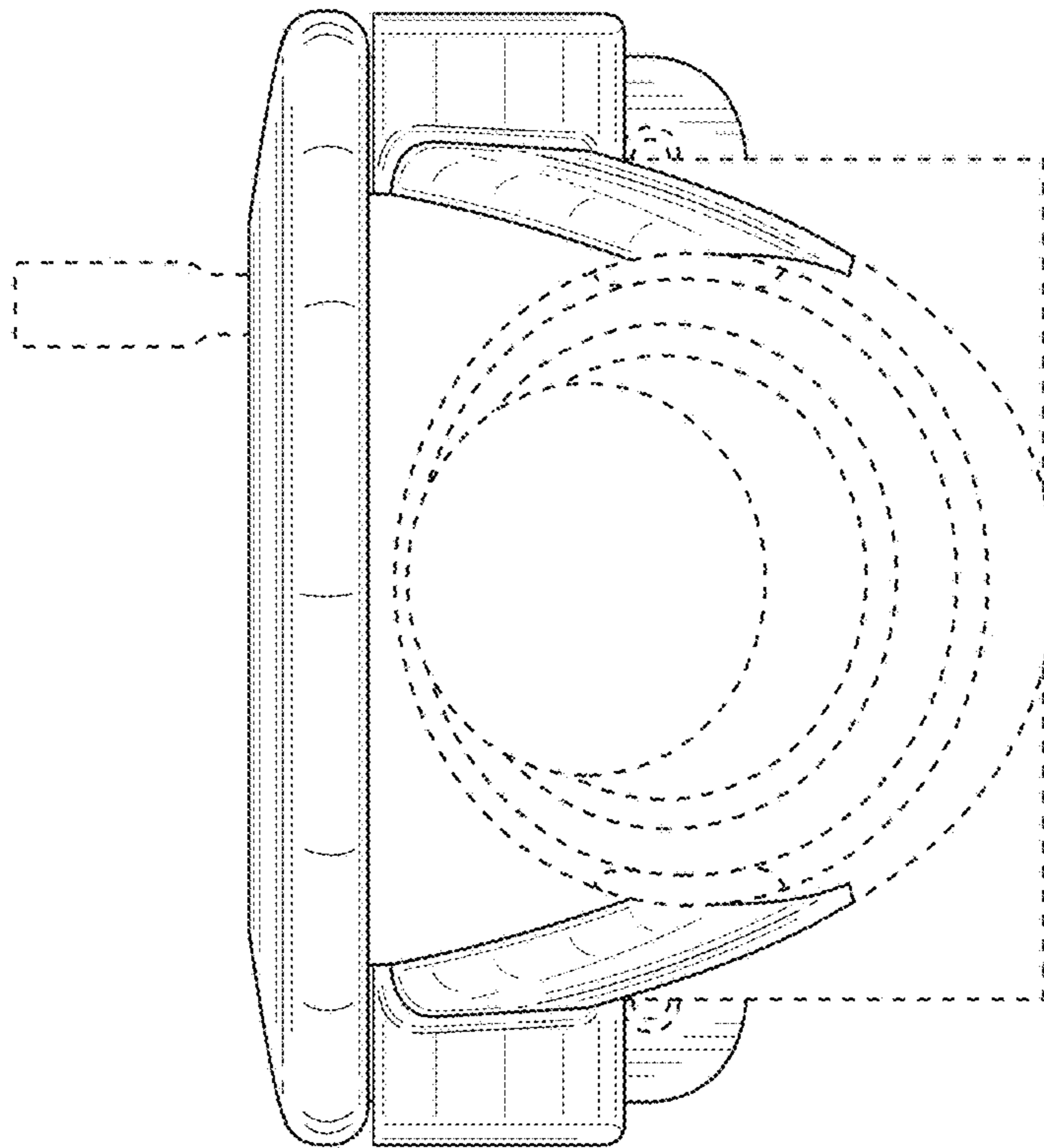


FIG. 3

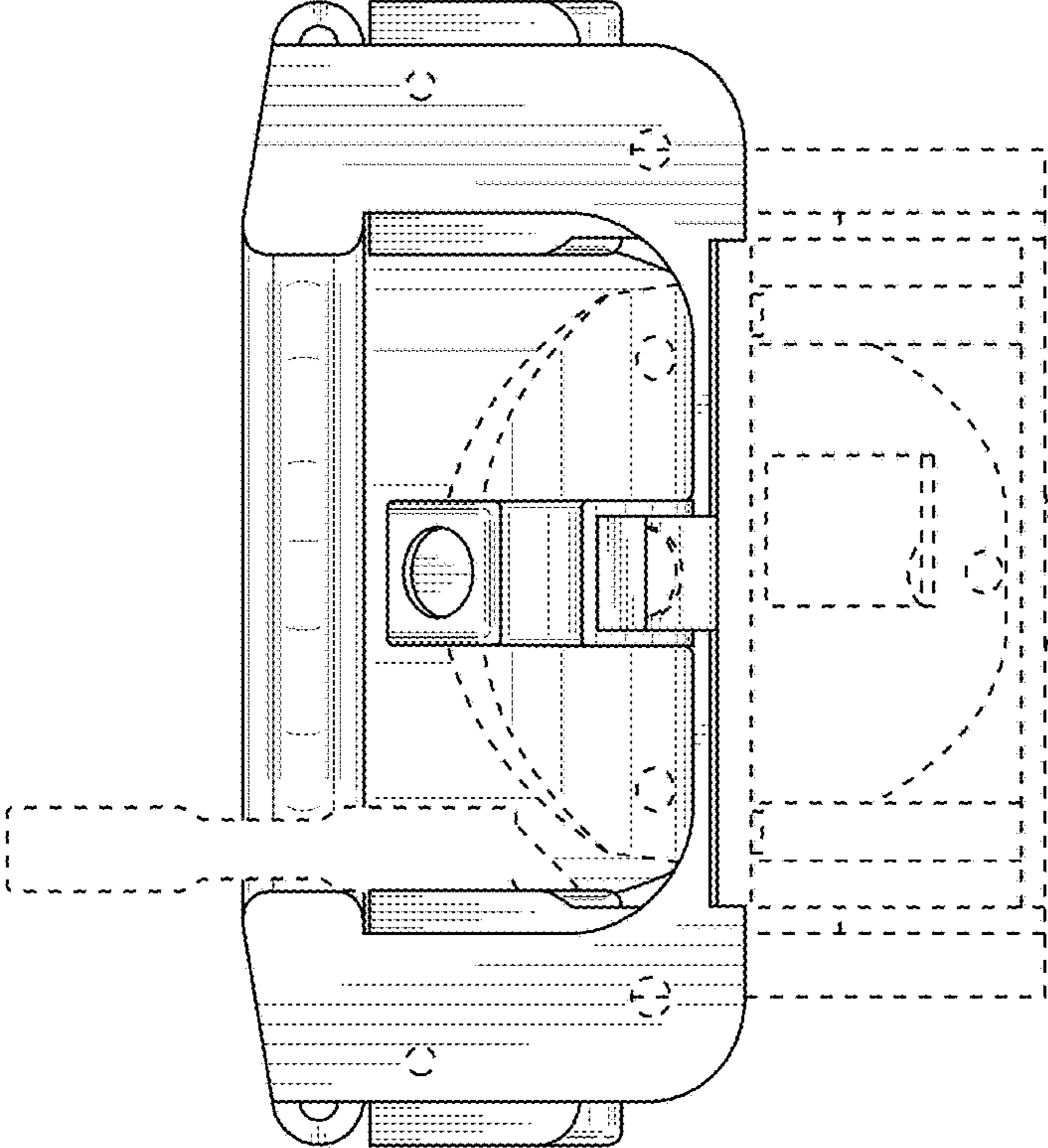


FIG. 4

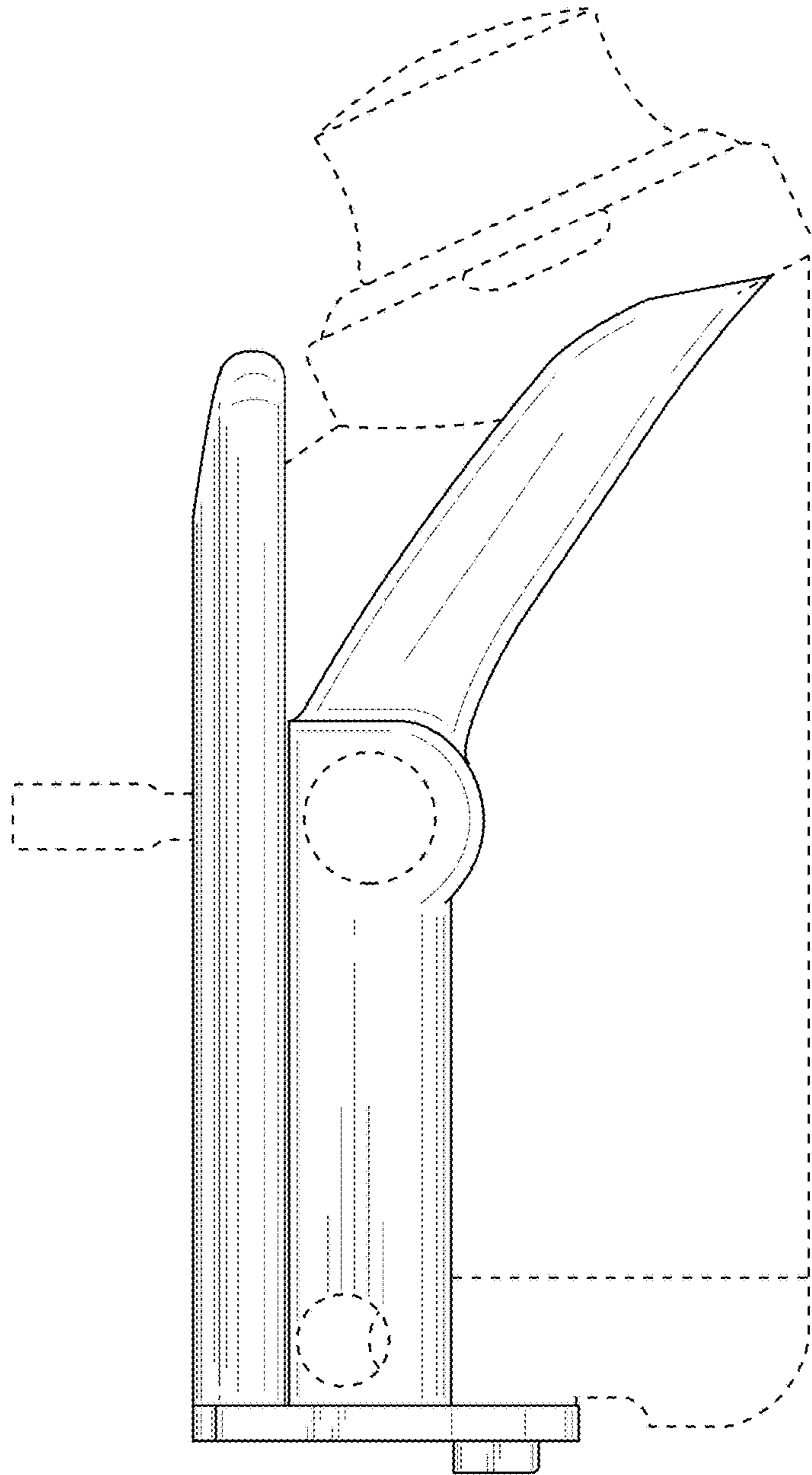


FIG. 5

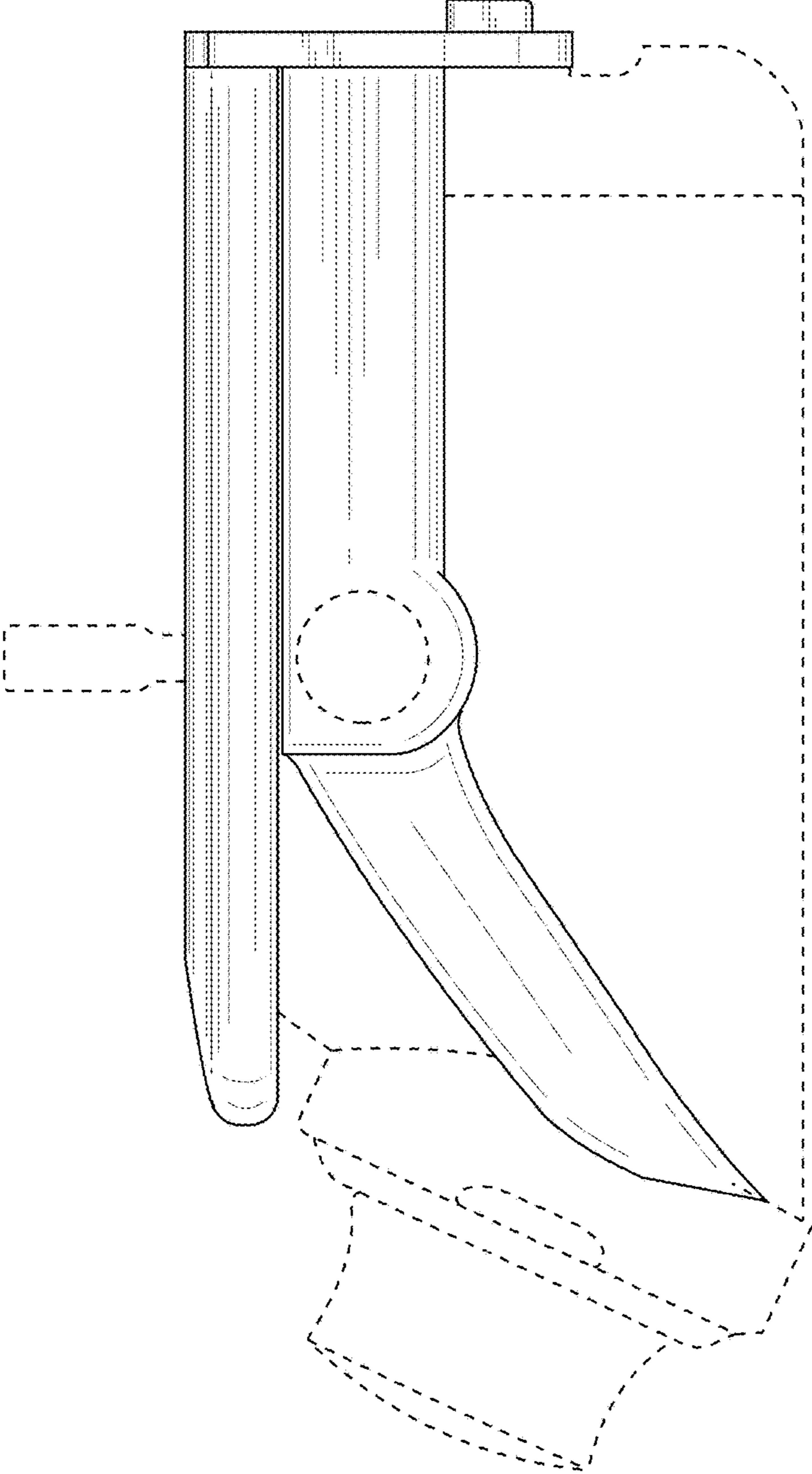


FIG. 6

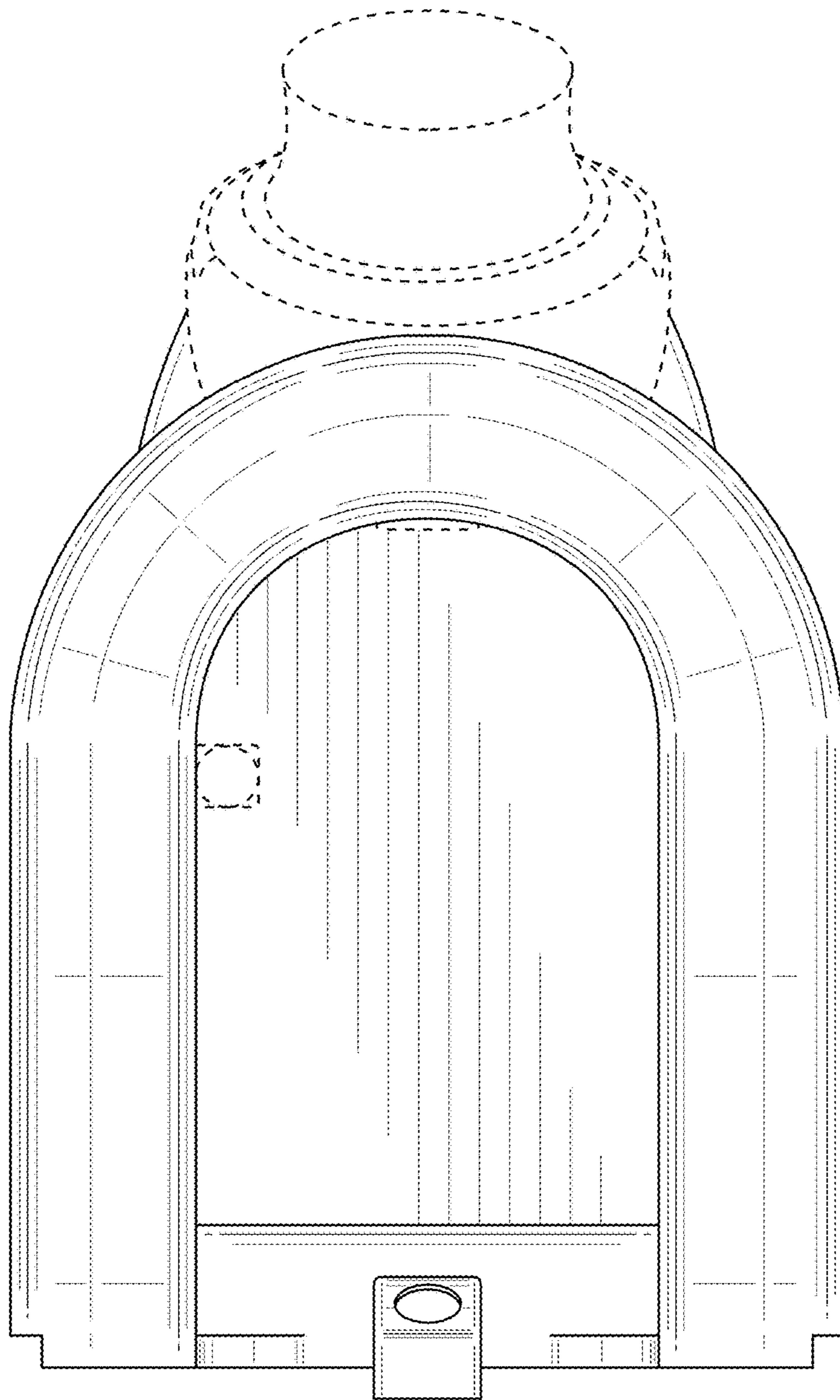


FIG. 7

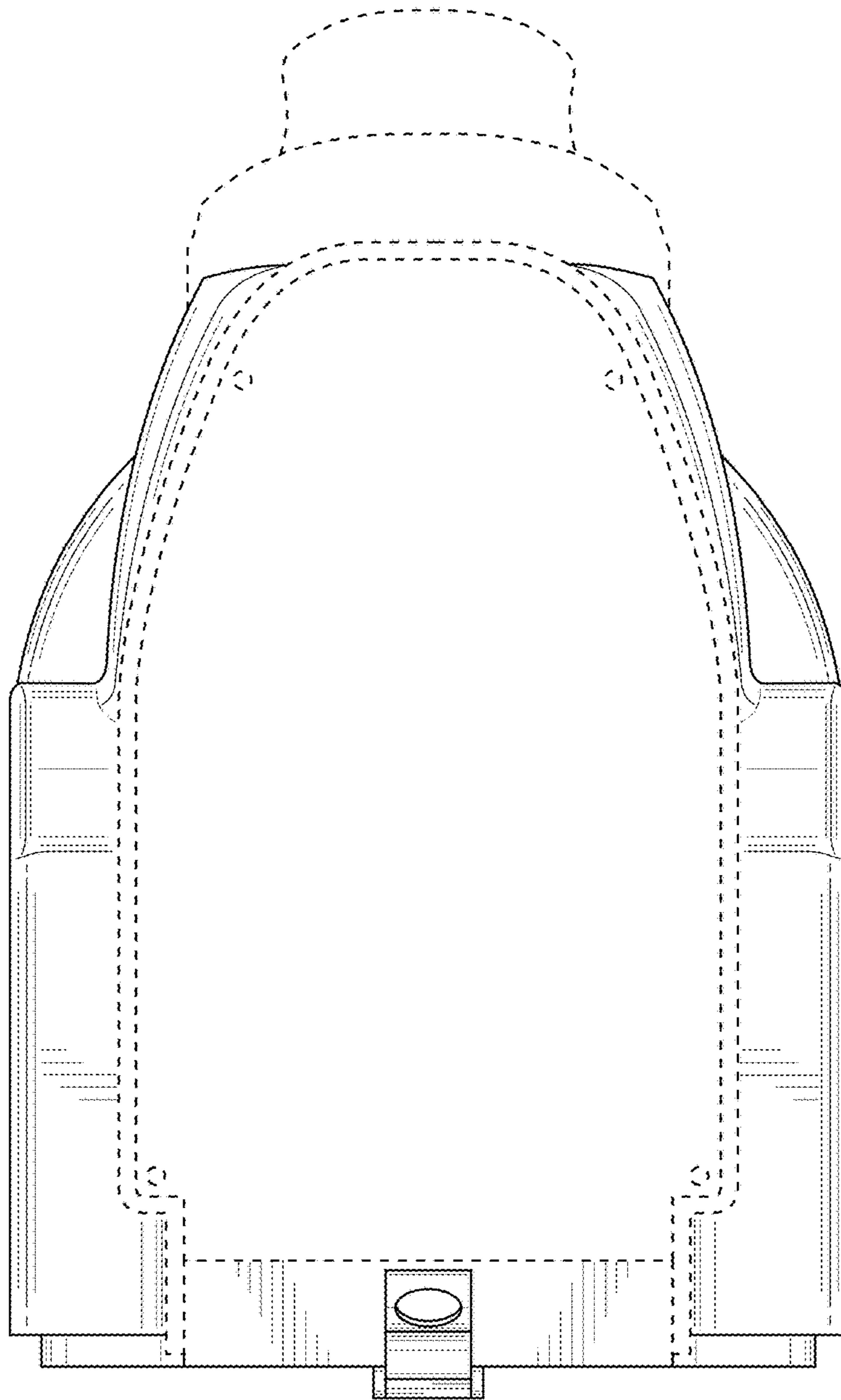


FIG. 8

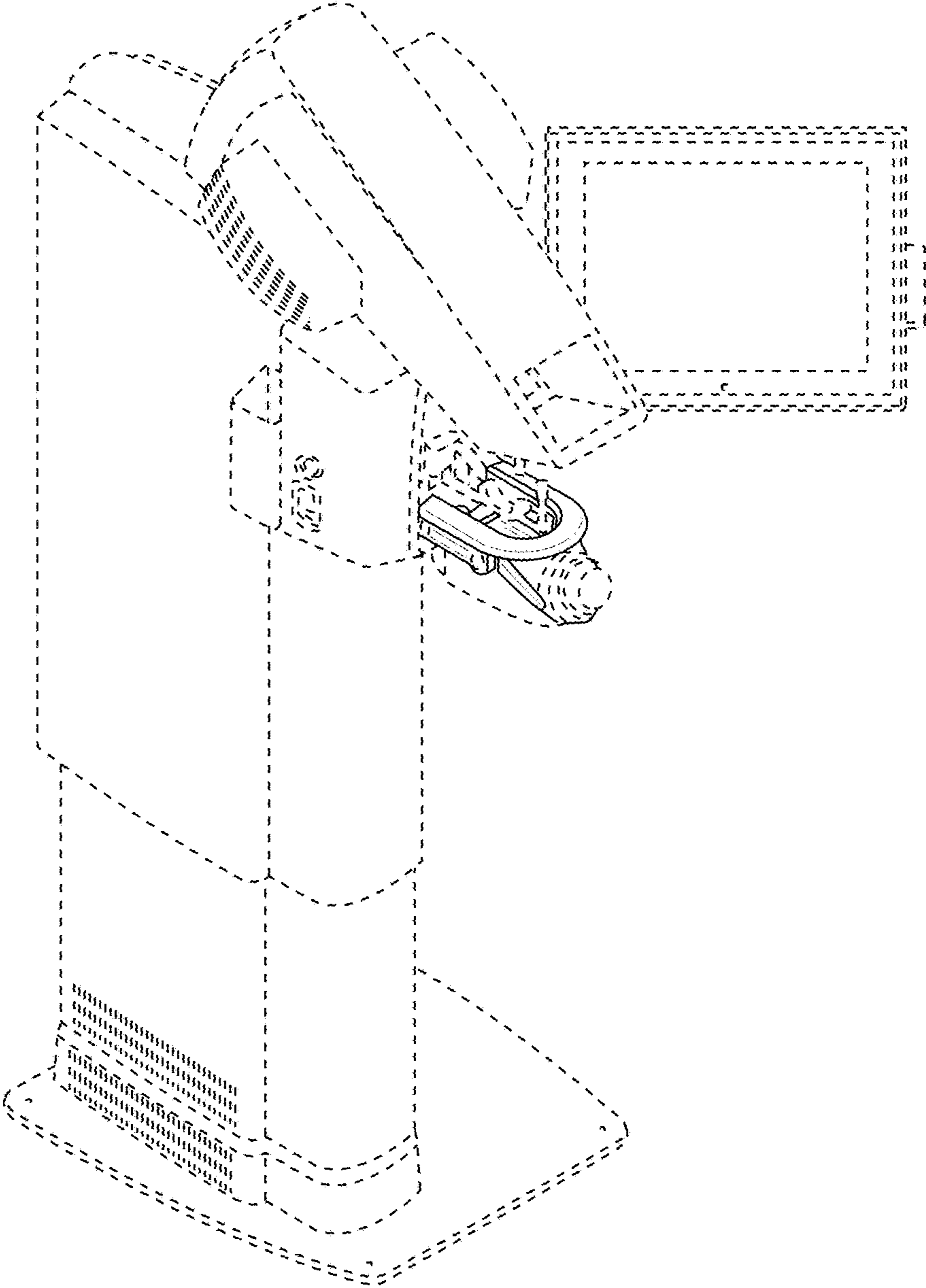


FIG. 9