



US00D852361S

(12) **United States Design Patent** (10) **Patent No.:** **US D852,361 S**  
**Sedic** (45) **Date of Patent:** **\*\* Jun. 25, 2019**

(54) **MENSTRUAL CUP**

FOREIGN PATENT DOCUMENTS

(71) Applicant: **Filip Sedic**, Shanghai (CN)

CN 304625739 \* 10/2017  
EP 0504301 3/2004

(72) Inventor: **Filip Sedic**, Shanghai (CN)

(Continued)

(\*\*) Term: **15 Years**

OTHER PUBLICATIONS

(21) Appl. No.: **29/666,251**

Maria Cassano, "The 5 Best Menstrual Cups For A Low Cervix," (May 23, 2018). Retrieved on Mar. 26, 2019. Retrieved from: <https://www.bustle.com/p/the-5-best-menstrual-cups-for-a-low-cervix-9167089>.\*

(22) Filed: **Oct. 11, 2018**

(Continued)

**Related U.S. Application Data**

(63) Continuation of application No. 29/630,741, filed on Dec. 22, 2017, now Pat. No. Des. 837,980.

(51) **LOC (11) Cl.** ..... **24-02**

(52) **U.S. Cl.**  
USPC ..... **D24/141**

(58) **Field of Classification Search**  
USPC ..... D24/141, 121, 124-125; 604/330  
CPC ..... A61F 6/06; A61F 6/08; A61F 13/2045;  
A61F 5/4553; A61F 5/455

See application file for complete search history.

*Primary Examiner* — Wan Laymon

(74) *Attorney, Agent, or Firm* — Evan Feldstein

(57) **CLAIM**

I claim the ornamental design for a menstrual cup, as shown and described.

**DESCRIPTION**

FIG. 1 is a perspective view of a first embodiment of a menstrual cup.

FIG. 2 is a top view of the first embodiment of the menstrual cup.

FIG. 3 is a bottom view of the first embodiment of the menstrual cup.

FIG. 4 is a left side view of the first embodiment of the menstrual cup.

FIG. 5 is a right side view of the first embodiment of the menstrual cup.

FIG. 6 is a front view of the first embodiment of the menstrual cup; and,

FIG. 7 is a rear view of the first embodiment of the menstrual cup.

The broken lines are directed to environment and are for illustrative purposes only; the broken lines form no part of the claimed design.

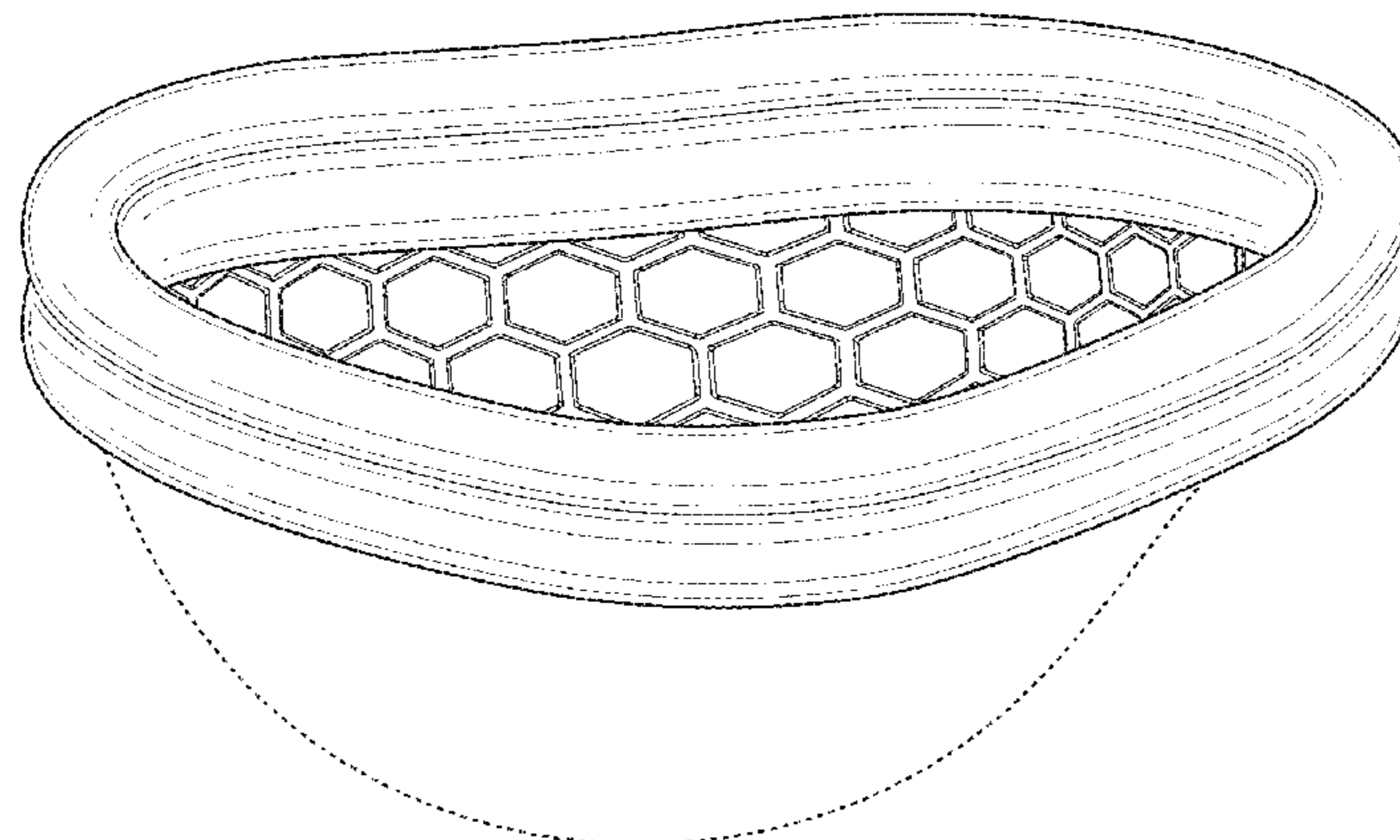
(56) **References Cited**

U.S. PATENT DOCUMENTS

2,534,900	A	1/1950	Chalmers	
3,404,682	A	10/1968	Waldron	
3,626,942	A	12/1971	Waldron	
3,845,766	A	11/1974	Zoller	
4,219,016	A *	8/1980	Drobish	A61F 6/06 128/832
4,589,880	A *	5/1986	Dunn	A61F 6/08 128/832
4,681,572	A	7/1987	Tokarz et al.	
D323,212	S *	1/1992	Crawford	D24/121
5,295,984	A	3/1994	Contente et al.	
5,771,900	A	6/1998	Austin et al.	
5,827,248	A	10/1998	Crawford	
6,264,638	B1 *	7/2001	Contente	A61F 5/4553 128/832

(Continued)

**1 Claim, 7 Drawing Sheets**



(56)

**References Cited**

U.S. PATENT DOCUMENTS

6,540,728 B2 4/2003 Zadini et al.  
6,796,973 B1 9/2004 Contente et al.  
6,964,643 B2 11/2005 Hovland et al.  
D746,452 S 12/2015 Petrova  
D760,897 S 7/2016 Teo  
10,016,308 B2 \* 7/2018 Knox ..... A61F 13/00085  
D832,438 S \* 10/2018 Brockway ..... D24/141  
D841,808 S \* 2/2019 Drach ..... D24/141  
2007/0289598 A1 12/2007 Barre et al.  
2008/0077097 A1 3/2008 Chambers et al.  
2009/0320855 A1 12/2009 Shihata  
2010/0312204 A1 12/2010 Sheu  
2013/0267769 A1 10/2013 La Vean  
2015/0164680 A1 6/2015 Chen  
2016/0278988 A1 9/2016 Knox

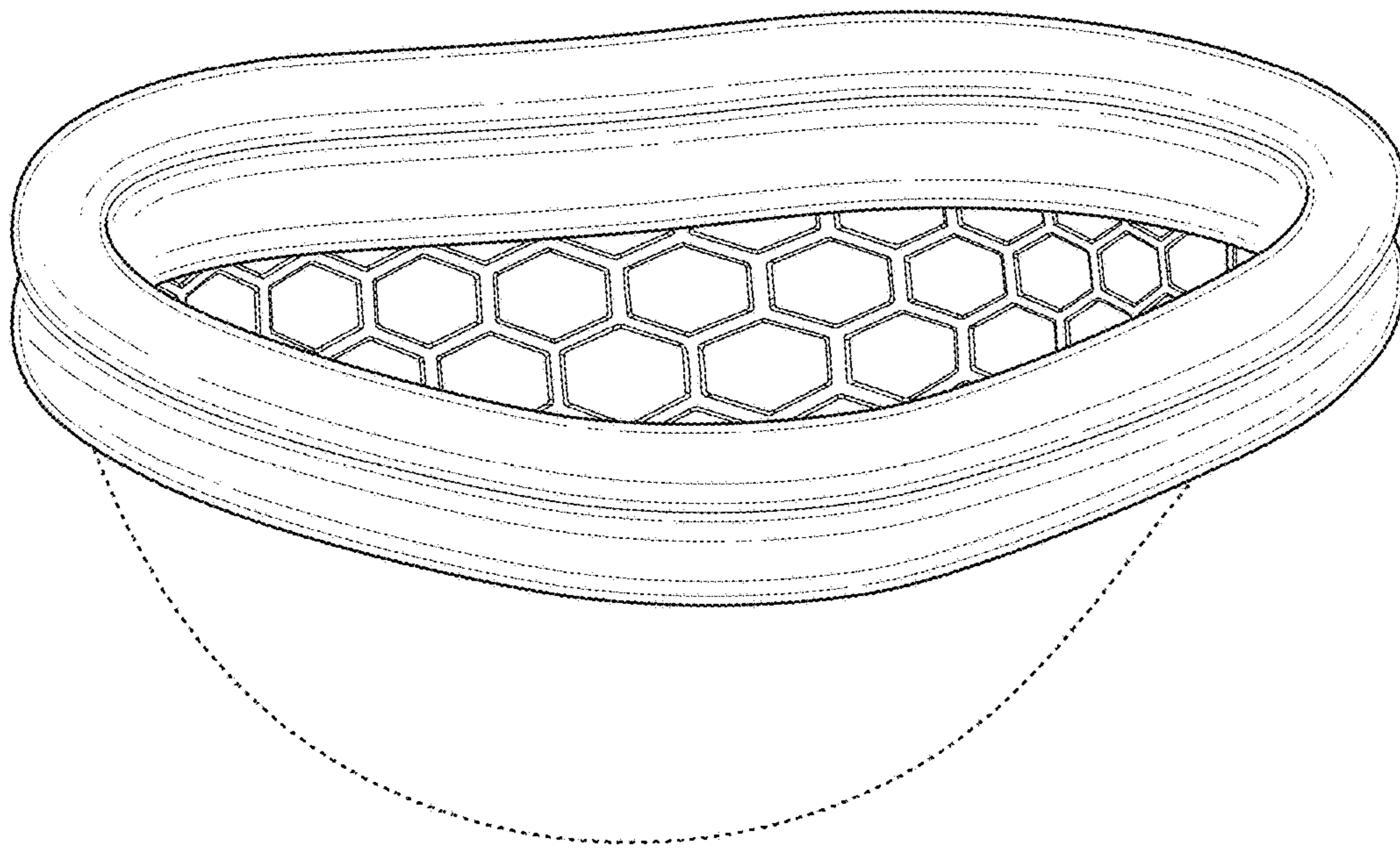
FOREIGN PATENT DOCUMENTS

EP 2043569 3/2010  
FR 3039060 1/2017  
WO WO2007082341 7/2007

OTHER PUBLICATIONS

Flexfits, "Flex Starter Kit," flexfits.com, accessed Mar. 5, 2019, pp. 1-7.

\* cited by examiner



**FIG. 1**

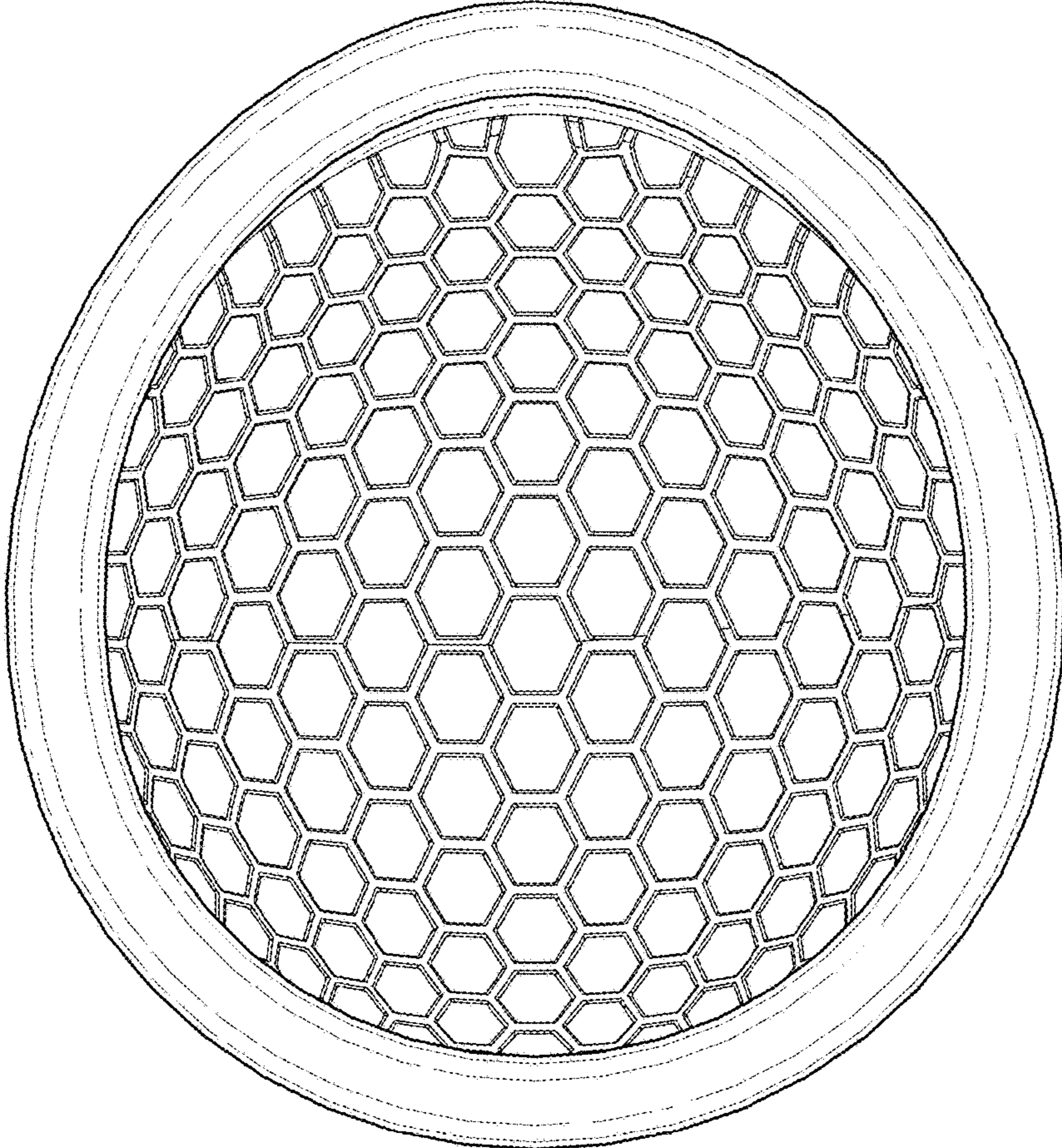


FIG. 2

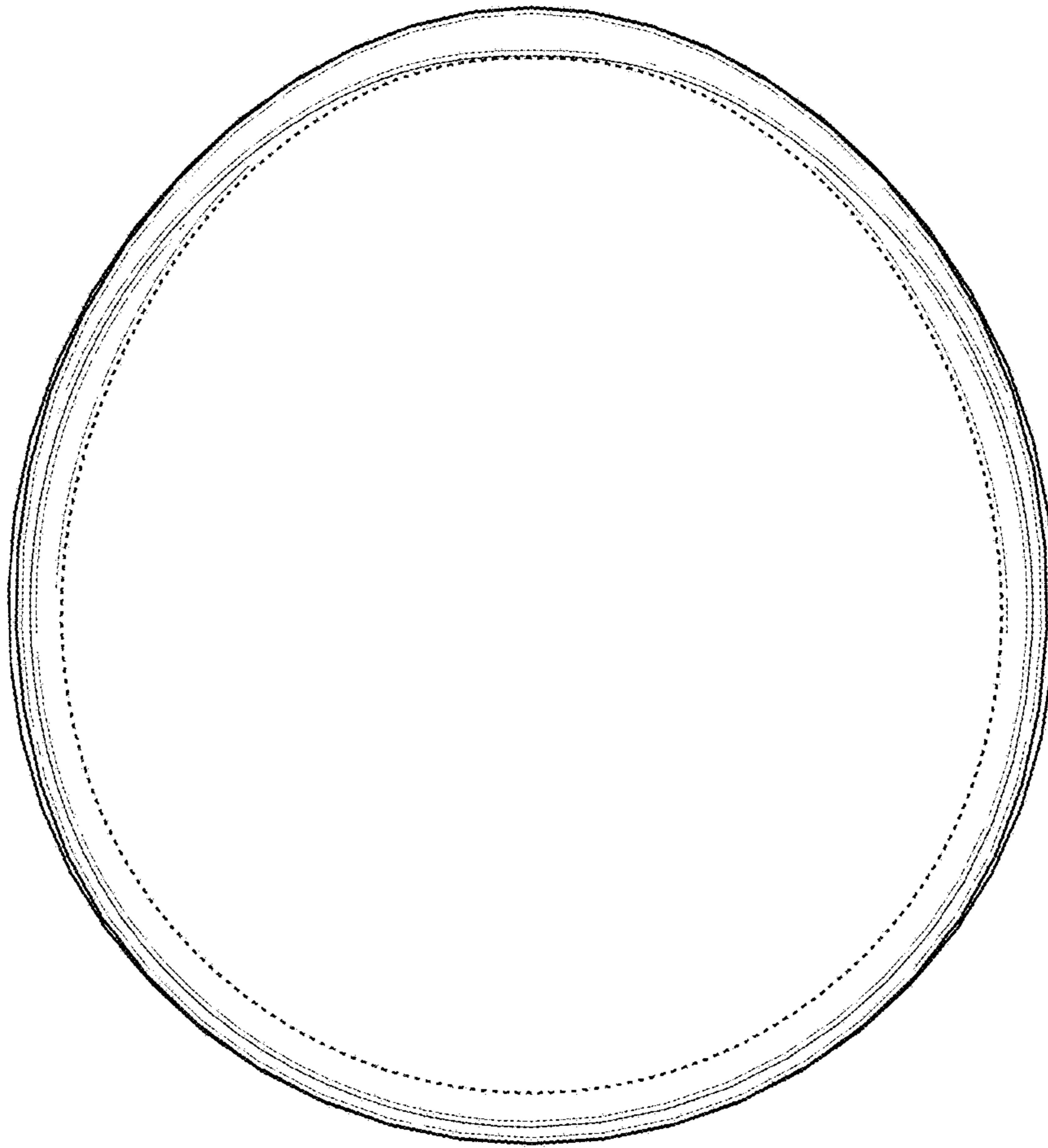


FIG. 3

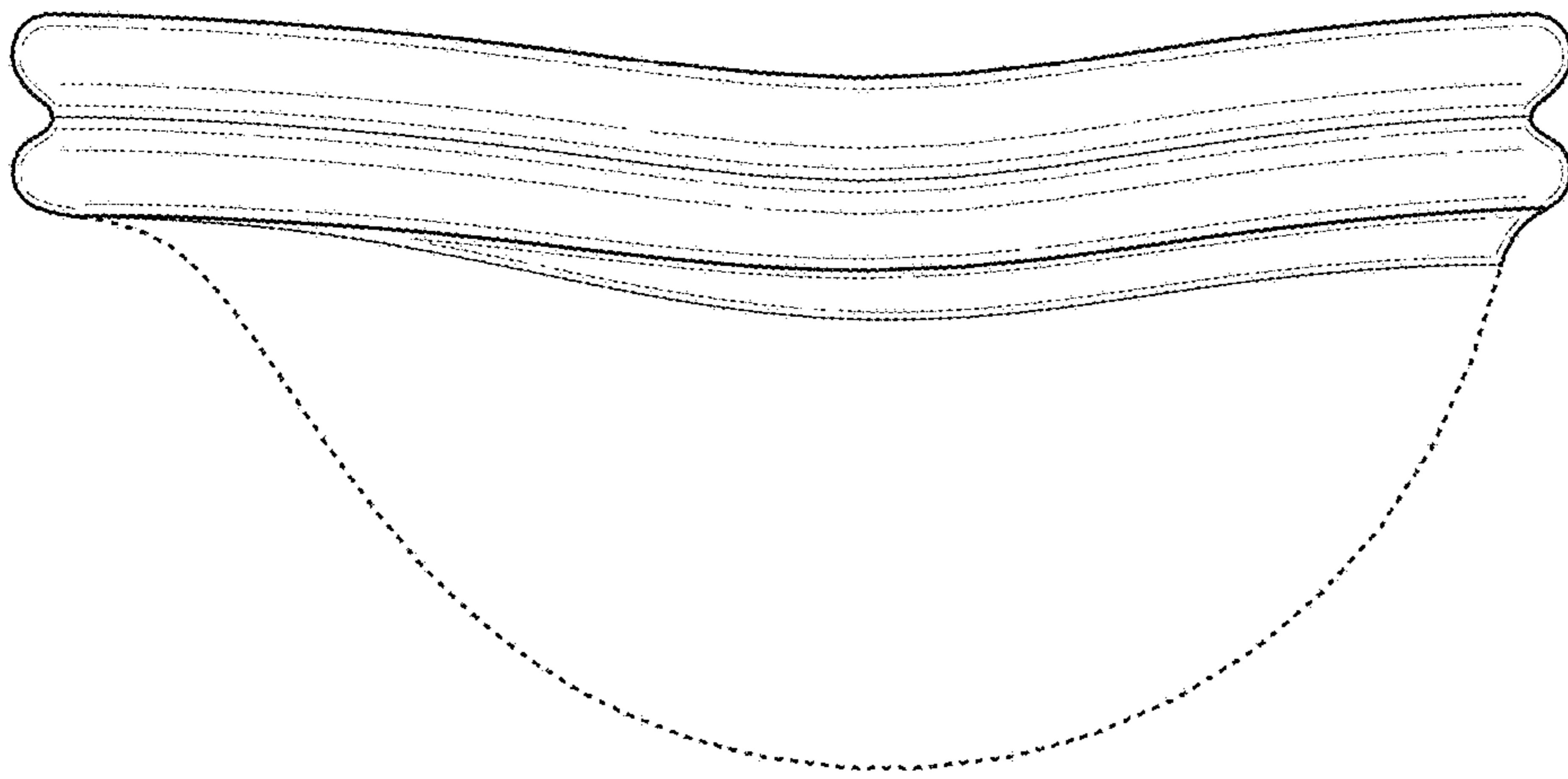


FIG. 4

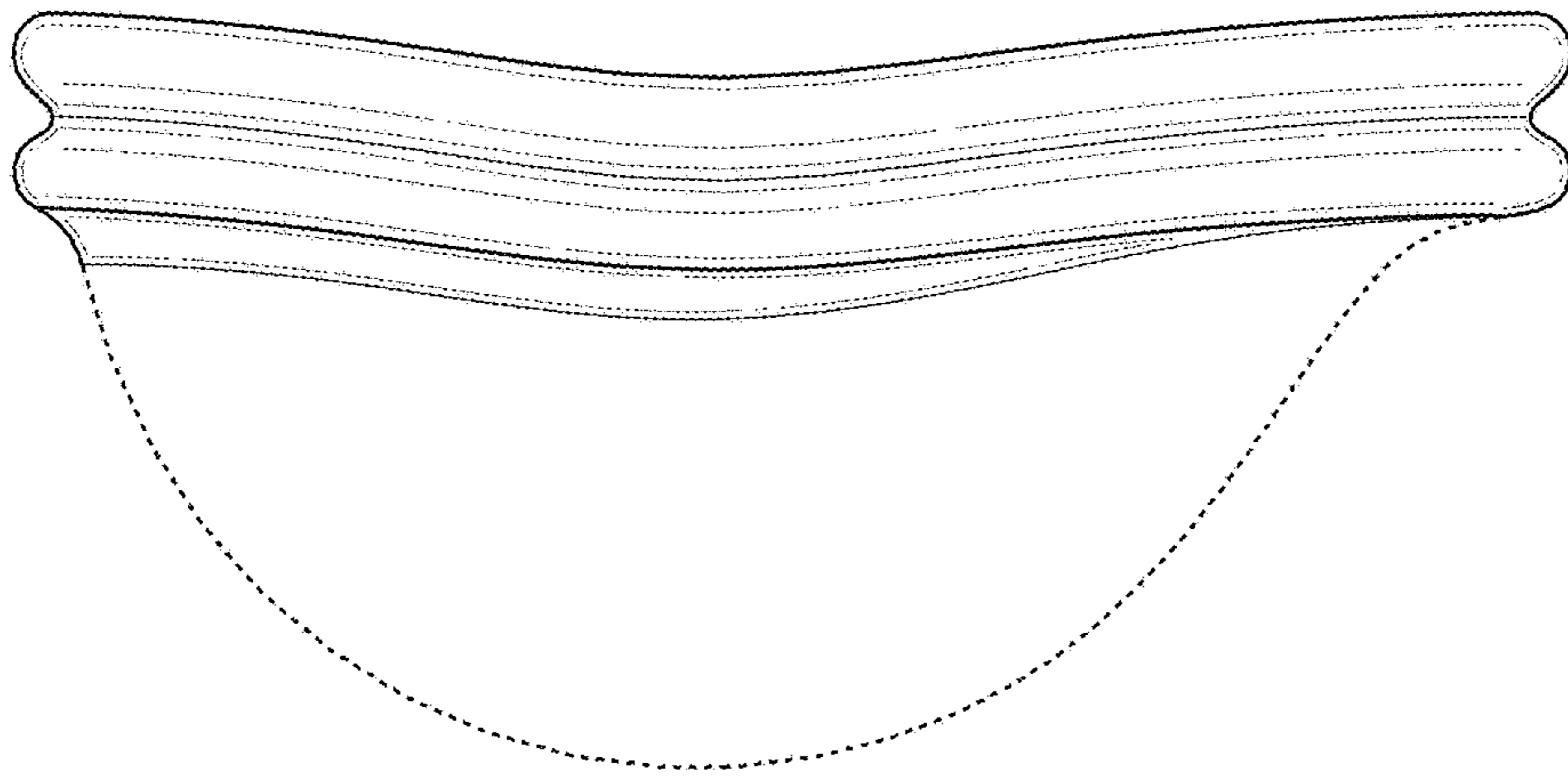


FIG. 5

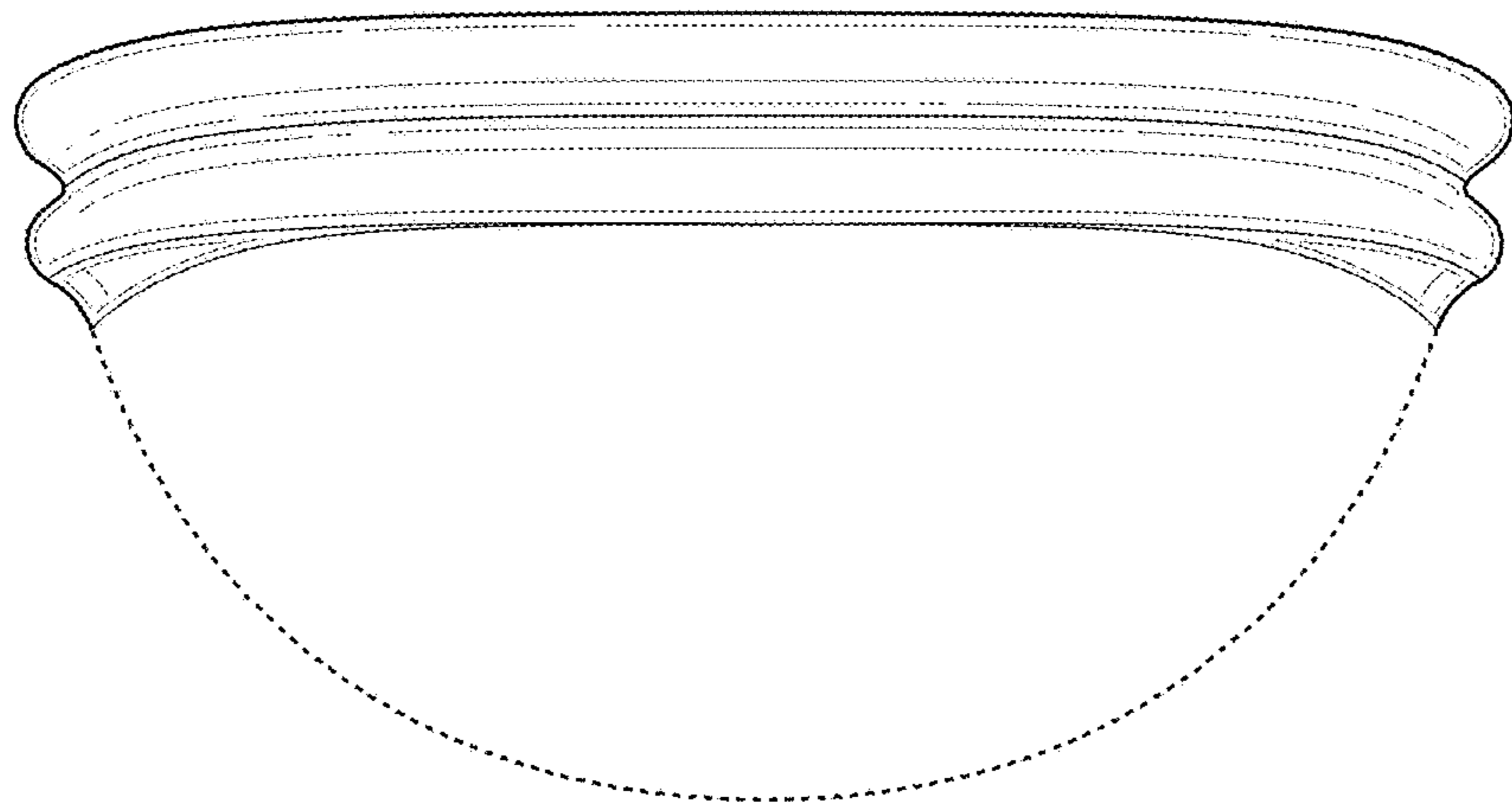


FIG. 6



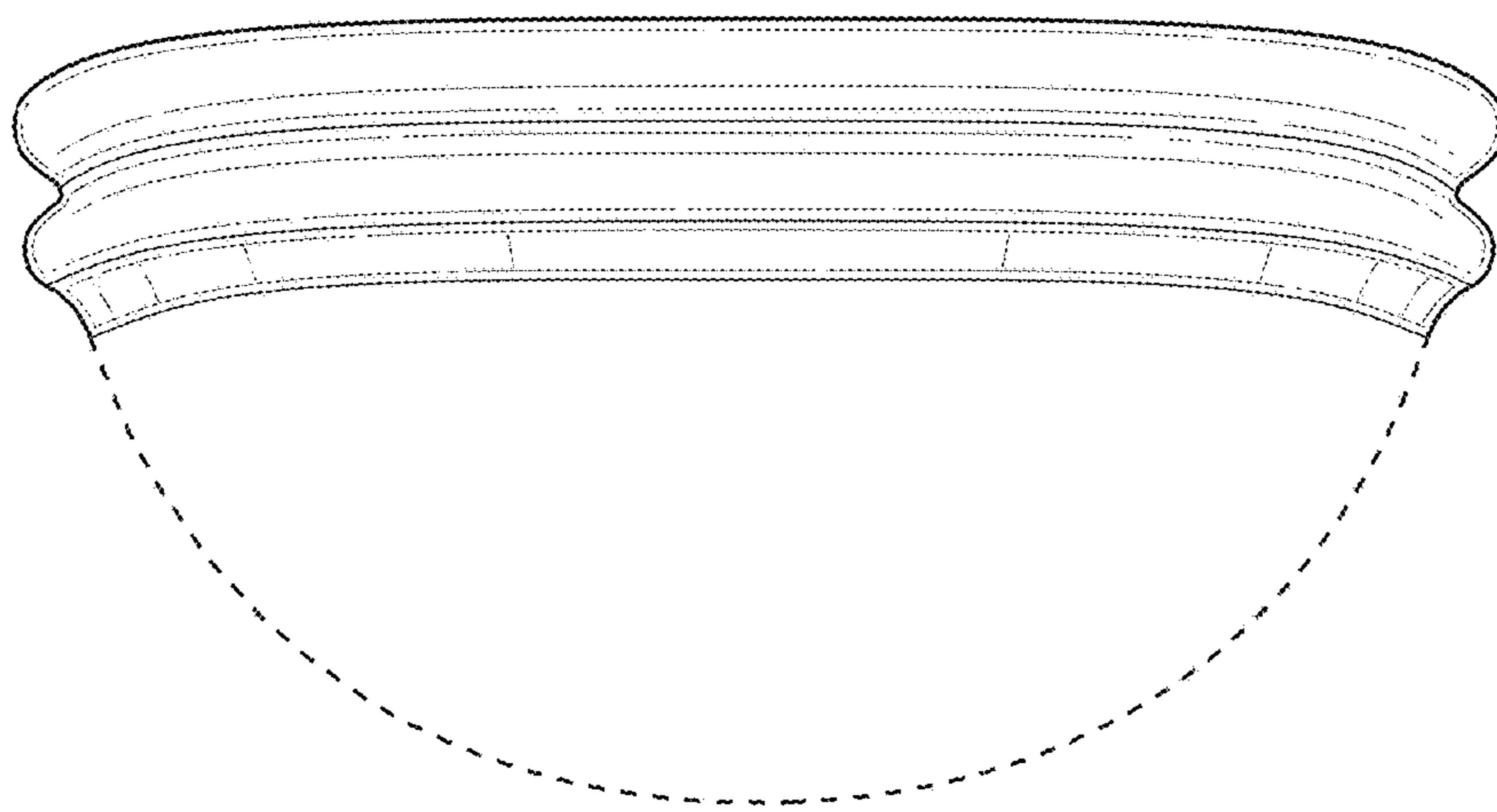


FIG. 7