



US00D852360S

(12) **United States Design Patent** (10) **Patent No.:** **US D852,360 S**
Lund (45) **Date of Patent:** **** Jun. 25, 2019**

- (54) **SELF-LUBRICATING TAMPON APPLICATOR**
- (71) Applicant: **Lacey Lund**, Rogers, AR (US)
- (72) Inventor: **Lacey Lund**, Rogers, AR (US)
- (**) Term: **15 Years**
- (21) Appl. No.: **29/640,430**
- (22) Filed: **Mar. 14, 2018**
- (51) **LOC (11) Cl.** **24-02**
- (52) **U.S. Cl.**
USPC **D24/141**
- (58) **Field of Classification Search**
USPC D24/141, 114, 135; 604/904
CPC A61F 13/26; A61F 13/266; A61F 13/20;
A61F 13/204; A61F 13/2097; A61F
13/263; A61F 13/28; Y10S 604/904
See application file for complete search history.

- (56) **References Cited**
U.S. PATENT DOCUMENTS
5,554,108 A * 9/1996 Browning A61F 13/263
604/15
6,095,998 A * 8/2000 Osborn, III A61F 13/2051
604/904
6,423,025 B1 * 7/2002 Buzot A61F 13/26
604/15
6,730,057 B2 * 5/2004 Zhao A61F 13/26
604/11
D492,033 S * 6/2004 Jarmon D24/141

- D515,212 S * 2/2006 Edgett D24/141
- D572,362 S * 7/2008 Edgett D24/141
- D602,587 S * 10/2009 Edgett D24/141
- 7,815,594 B2 * 10/2010 Dougherty, Jr. A61F 13/26
604/17
- D626,650 S * 11/2010 Edgett D24/141
- D664,656 S * 7/2012 Avigdor D24/141
- 9,820,890 B2 * 11/2017 Dougherty A61F 13/26
- 10,022,276 B1 * 7/2018 Lund A61F 13/28
- 2003/0073948 A1 * 4/2003 Binner A61F 13/26
604/15

* cited by examiner

Primary Examiner — Wan Laymon
(74) *Attorney, Agent, or Firm* — Dale J. Ream

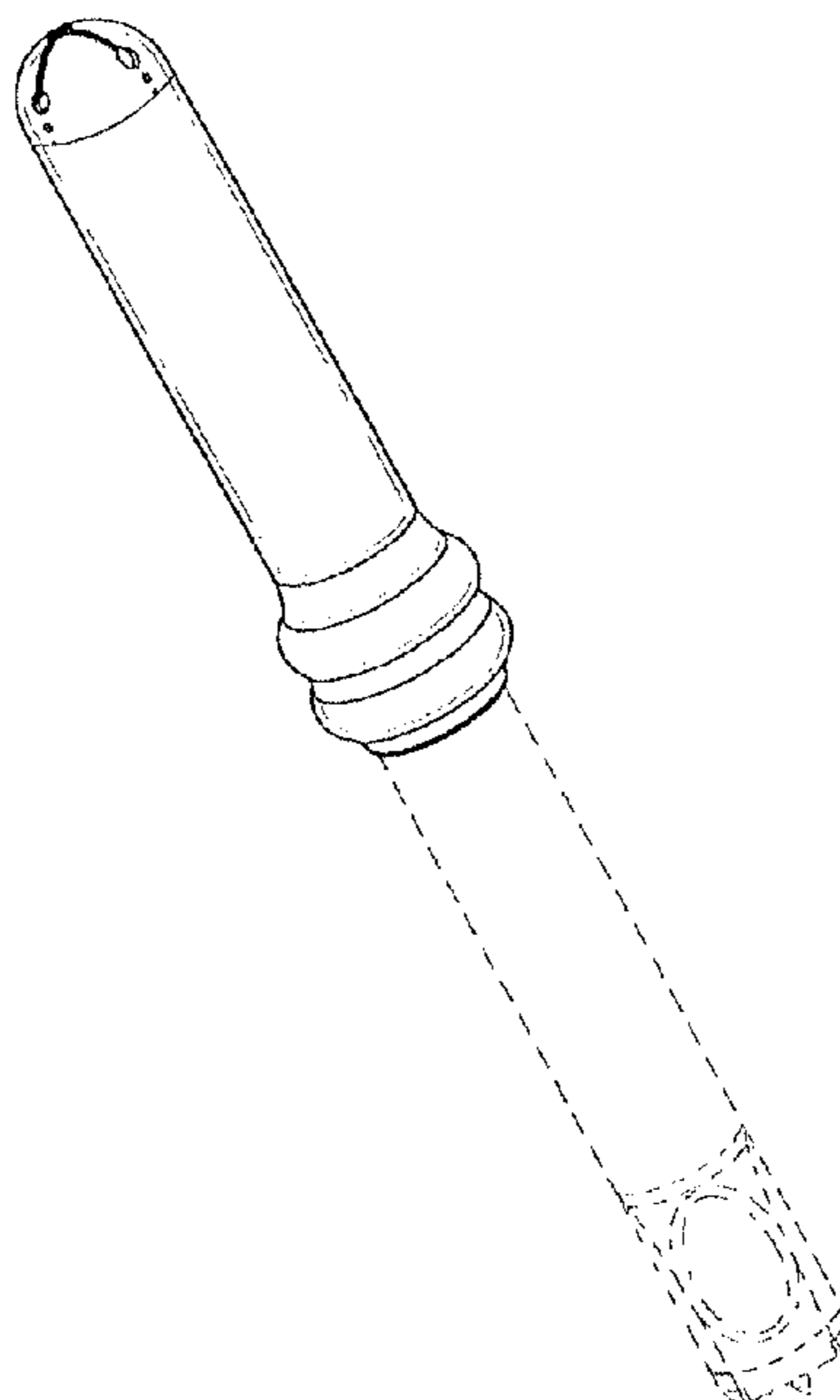
(57) **CLAIM**

The ornamental design for a self-lubricating tampon applicator, as shown and described.

DESCRIPTION

FIG. 1 is a perspective view of a self-lubricating tampon applicator showing my new design;
FIG. 2 is an exploded perspective view thereof;
FIG. 3 is a front view thereof;
FIG. 4 is a back view thereof;
FIG. 5 is a left side view thereof;
FIG. 6 is a right side view thereof;
FIG. 7 is a top plan view thereof; and,
FIG. 8 is a bottom plan view thereof.
In the drawings, the broken lines represent unclaimed environment subject matter and form no part of the claimed design.

1 Claim, 5 Drawing Sheets



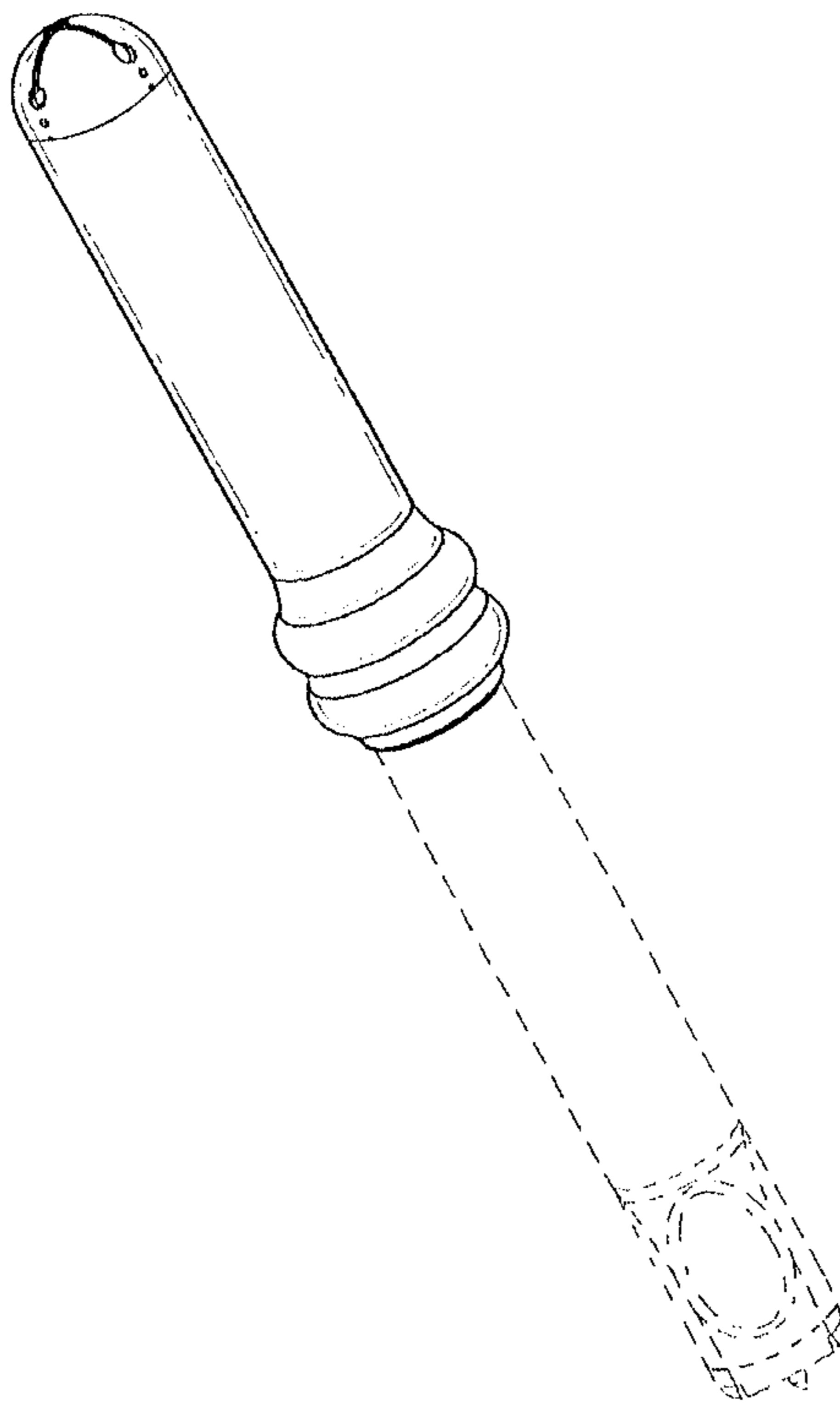


FIG. 1

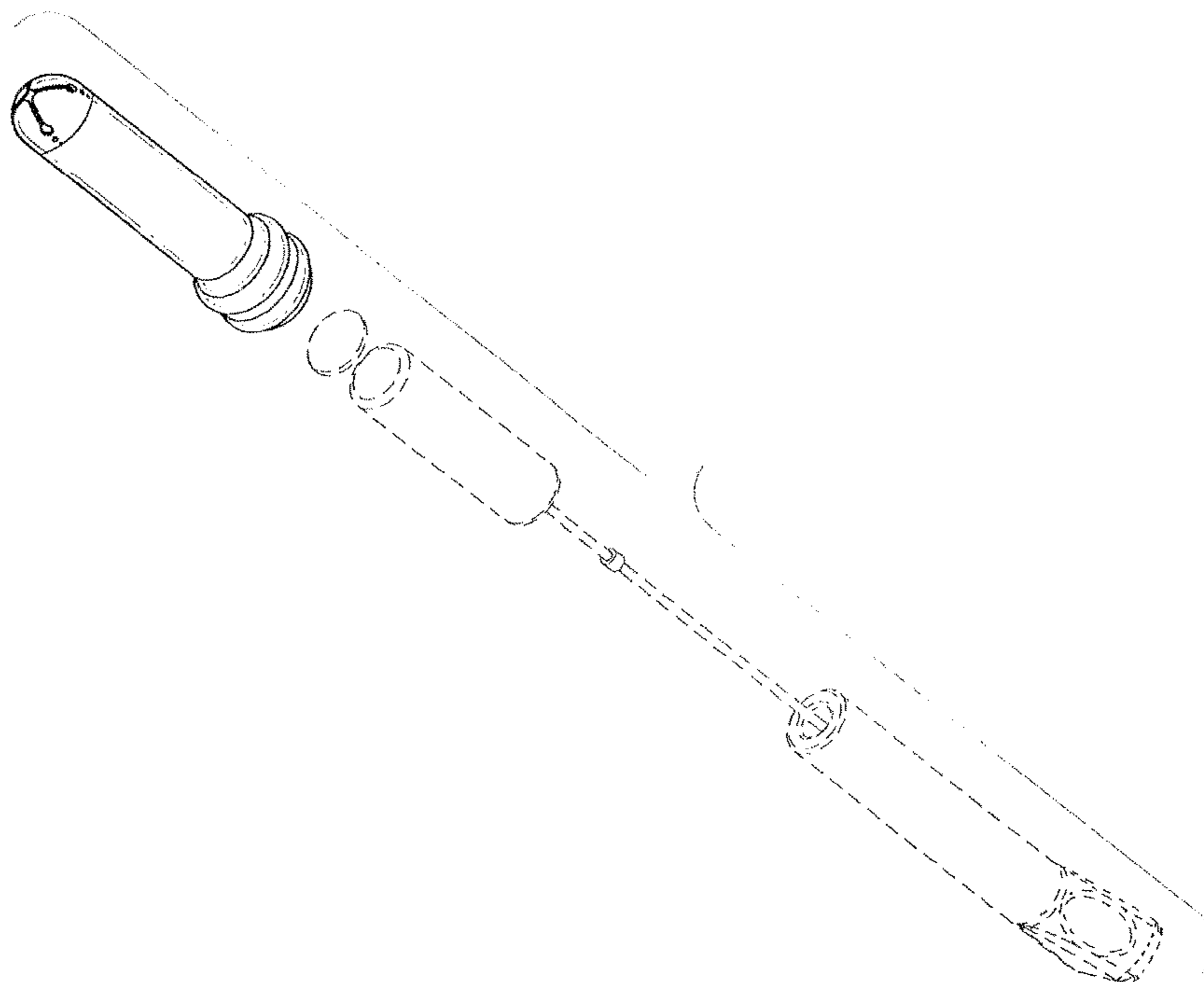


FIG. 2

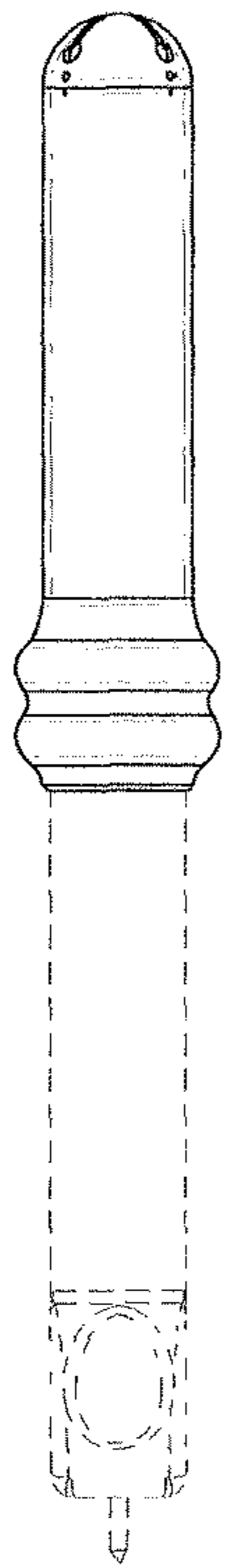


FIG. 3

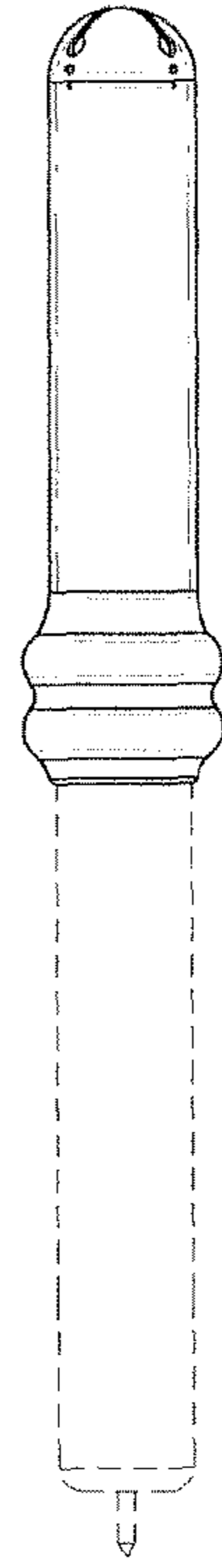


FIG. 4

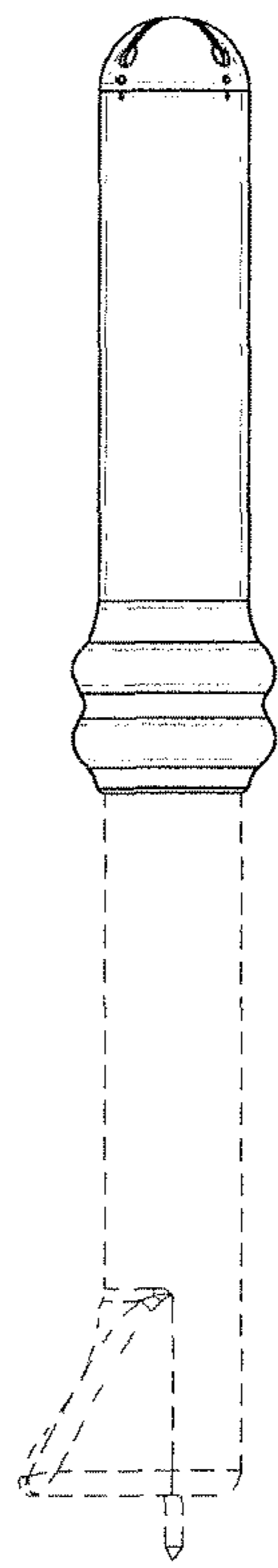


FIG. 5

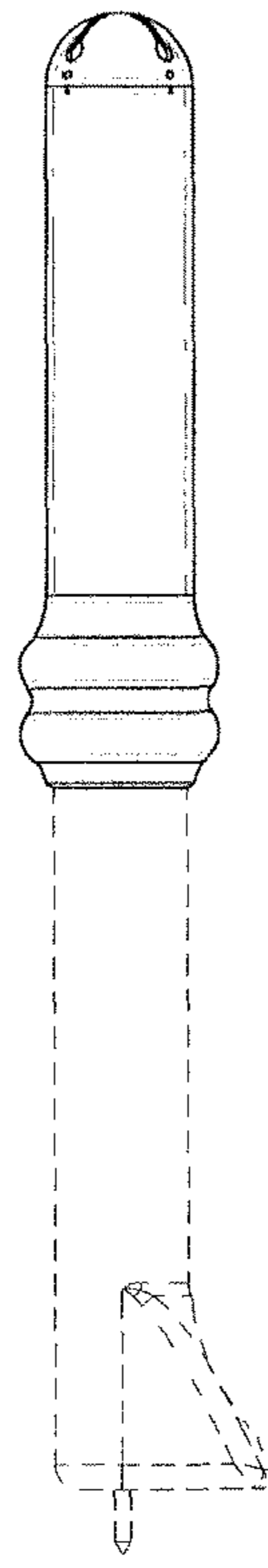


FIG. 6

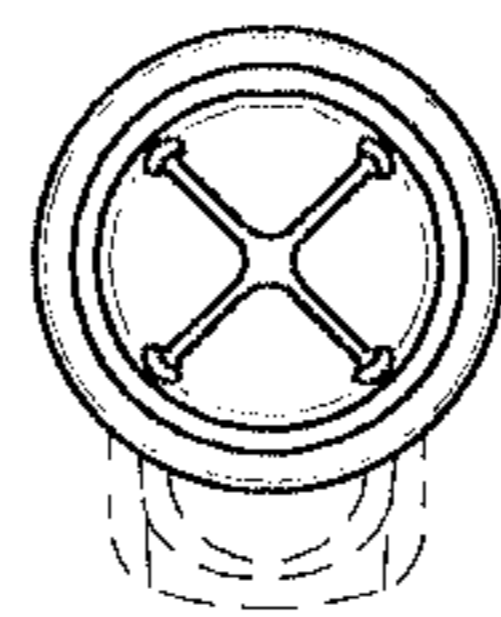


FIG. 7

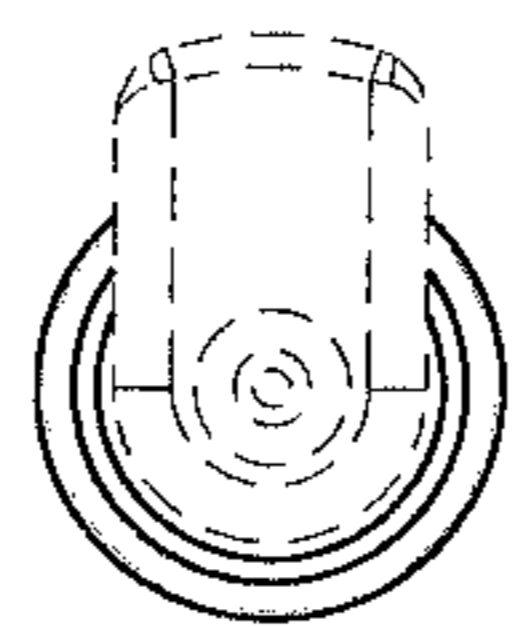


FIG. 8