



US00D852355S

(12) **United States Design Patent**
Fiorenza

(10) **Patent No.:** **US D852,355 S**

(45) **Date of Patent:** **** Jun. 25, 2019**

(54) **RESPIRATORY VALVE**

(71) Applicant: **Smart RS Inc.**, Ottawa (CA)

(72) Inventor: **Francesco Fiorenza**, Ottawa (CA)

(73) Assignee: **Francesco Fiorenza**, Ottawa (CA)

(**) Term: **15 Years**

(21) Appl. No.: **29/587,119**

(22) Filed: **Dec. 9, 2016**

(30) **Foreign Application Priority Data**

Jun. 10, 2016 (CA) 168945

(51) **LOC (11) Cl.** **24-02**

(52) **U.S. Cl.**
USPC **D24/129**

(58) **Field of Classification Search**
USPC D24/127-131, 112-114, 133, 186;
606/181, 185; 604/264, 523-528, 272,
604/187, 158, 164.01-164.11, 181, 184,
604/227; 600/101, 139, 143;
128/200.24, 207.14, 207.15
CPC A61M 25/00; A61M 39/00; A61M 27/00;
A61M 25/0043; A61M 25/0067; A61M
25/0097; A61F 2/958
See application file for complete search history.

(56) **References Cited**

U.S. PATENT DOCUMENTS

D449,107 S * 10/2001 Madsen D24/129
D453,221 S * 1/2002 Haytman D24/129

D482,121 S * 11/2003 Harding D24/129
D492,030 S * 6/2004 Rani D24/129
D506,828 S * 6/2005 Layne D24/129
D519,632 S * 4/2006 Bayron D24/110.6
D634,007 S * 3/2011 Zinger D24/129
D672,037 S * 12/2012 Miller D24/129
D673,673 S * 1/2013 Wang D24/129
D691,717 S * 10/2013 McLean D24/110.6
D742,507 S * 11/2015 Miller D24/129
D802,124 S * 11/2017 Guala D24/129
D802,759 S * 11/2017 Guala D24/129

* cited by examiner

Primary Examiner — David G Muller

(74) *Attorney, Agent, or Firm* — Servilla Whitney LLC

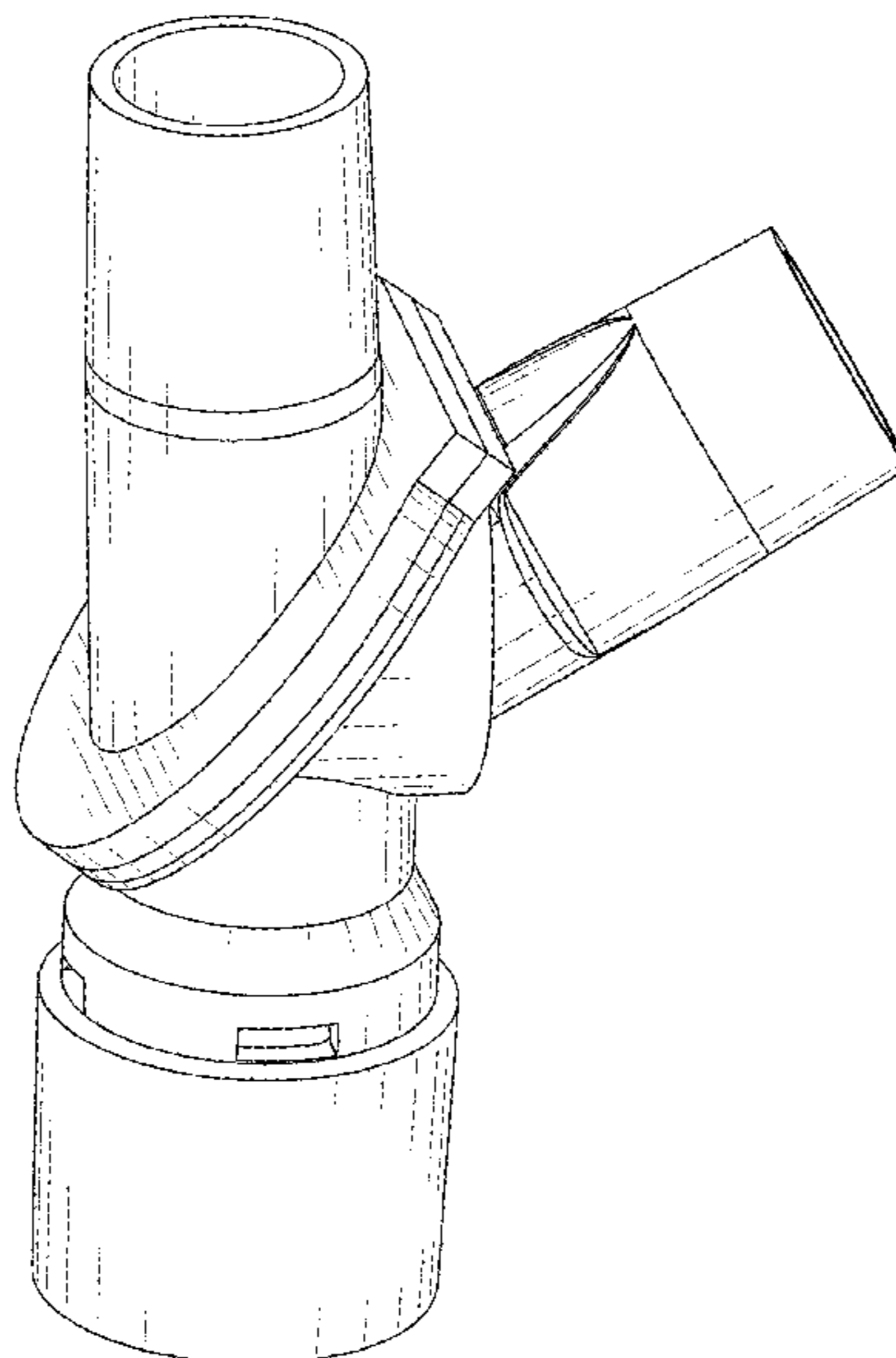
(57) **CLAIM**

The ornamental design for a respiratory valve, substantially as shown and described.

DESCRIPTION

FIG. 1 is a front perspective view of a respiratory valve; FIG. 2 is a rear perspective view of the respiratory valve; FIG. 3 is a front view of the respiratory valve; FIG. 4 is a left side view of the respiratory valve; FIG. 5 is a rear view of the respiratory valve; FIG. 6 is a top view of the respiratory valve; and, FIG. 7 is a bottom view of the respiratory valve. Portions of the drawings shown within broken lines form no part of the claimed design.

1 Claim, 7 Drawing Sheets



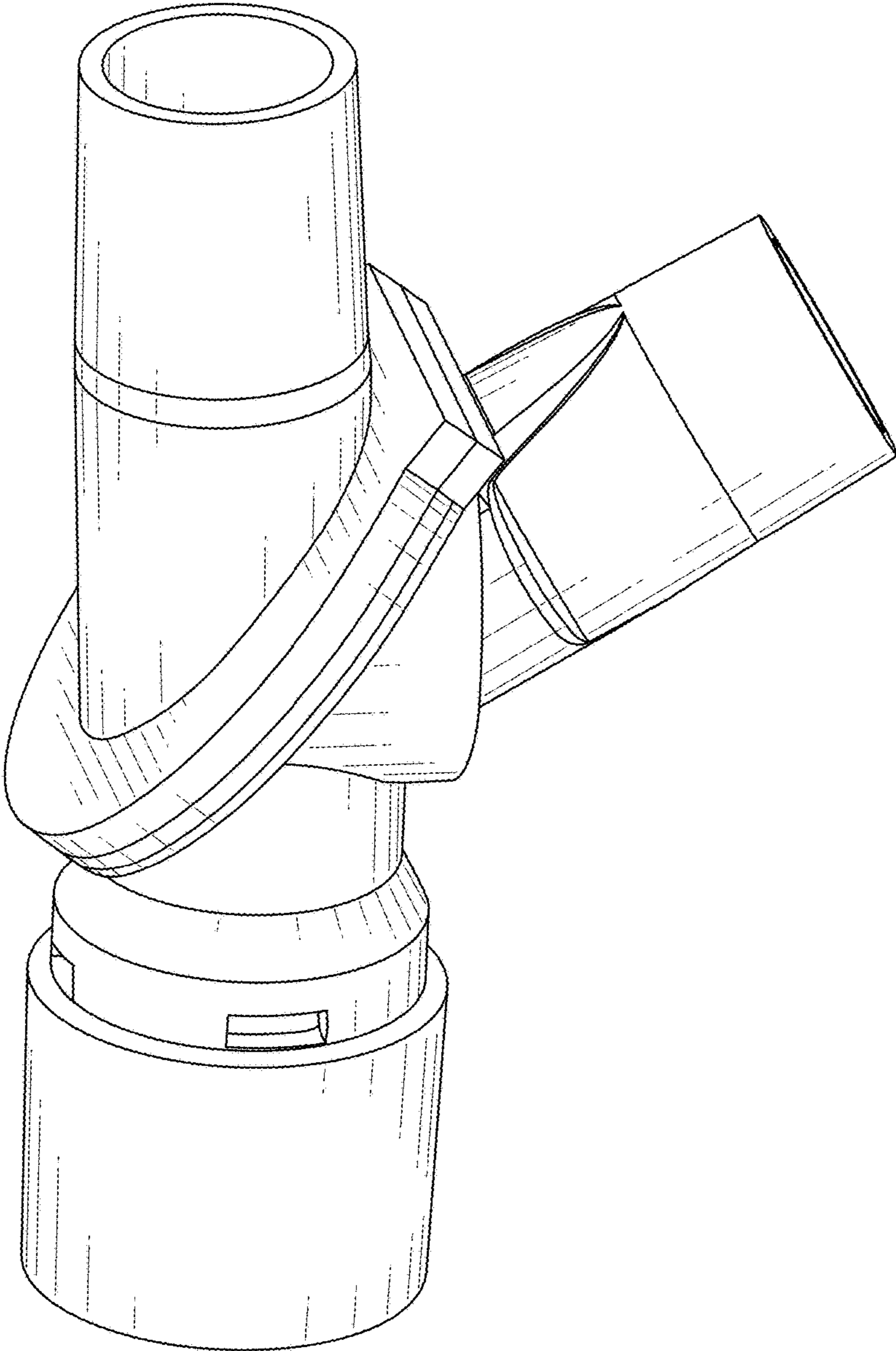


FIG. 1

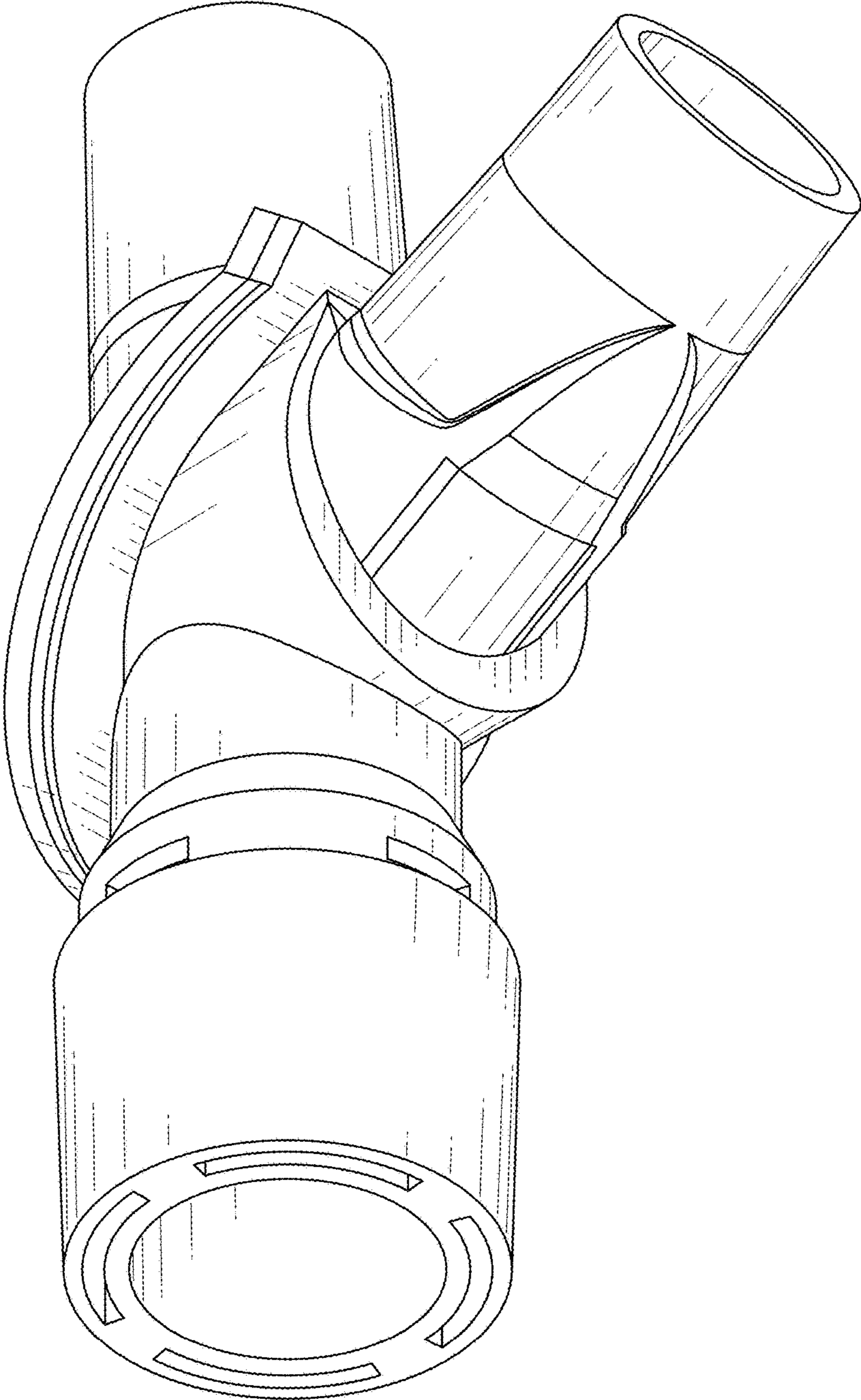


FIG. 2

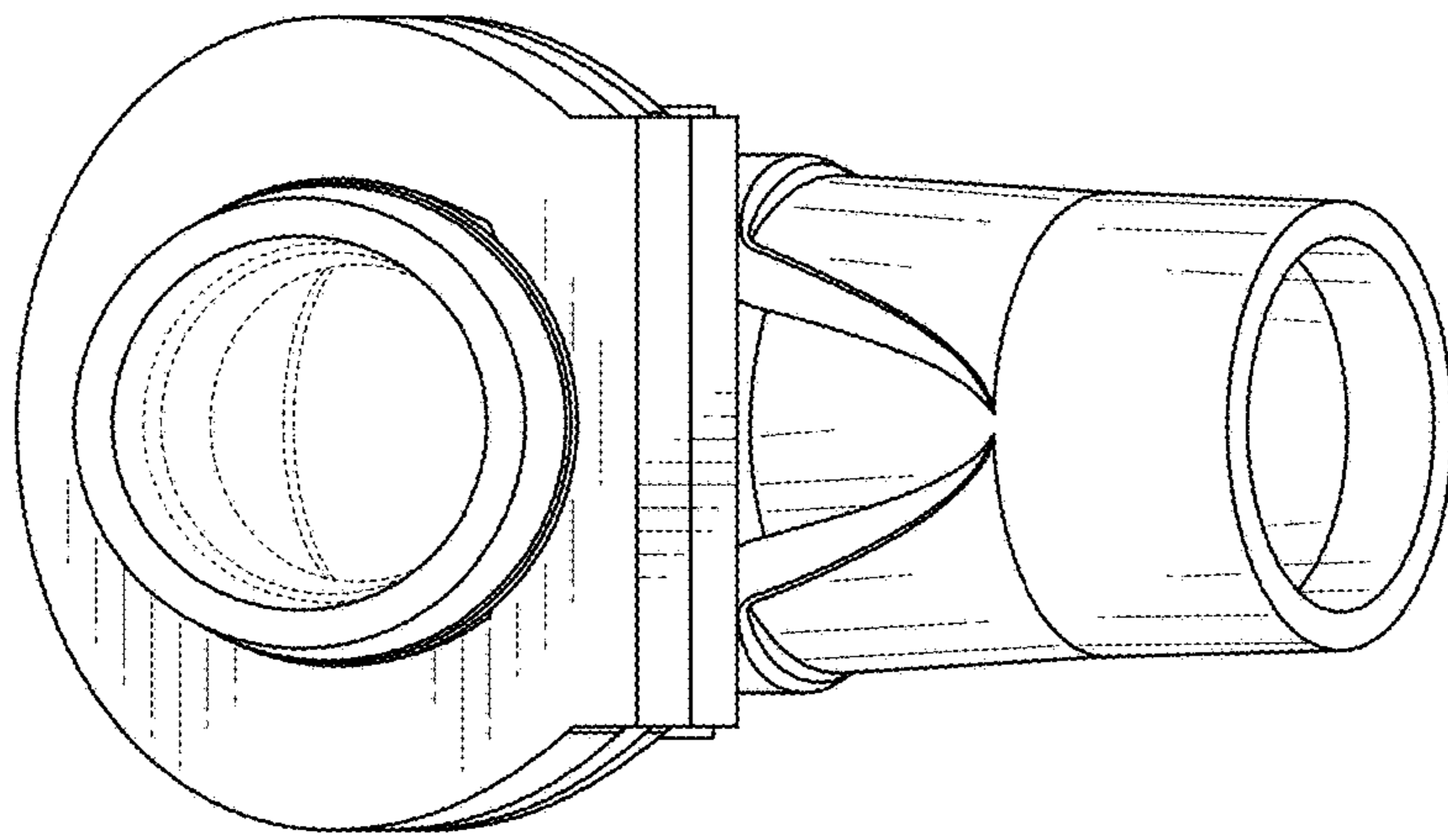


FIG. 3

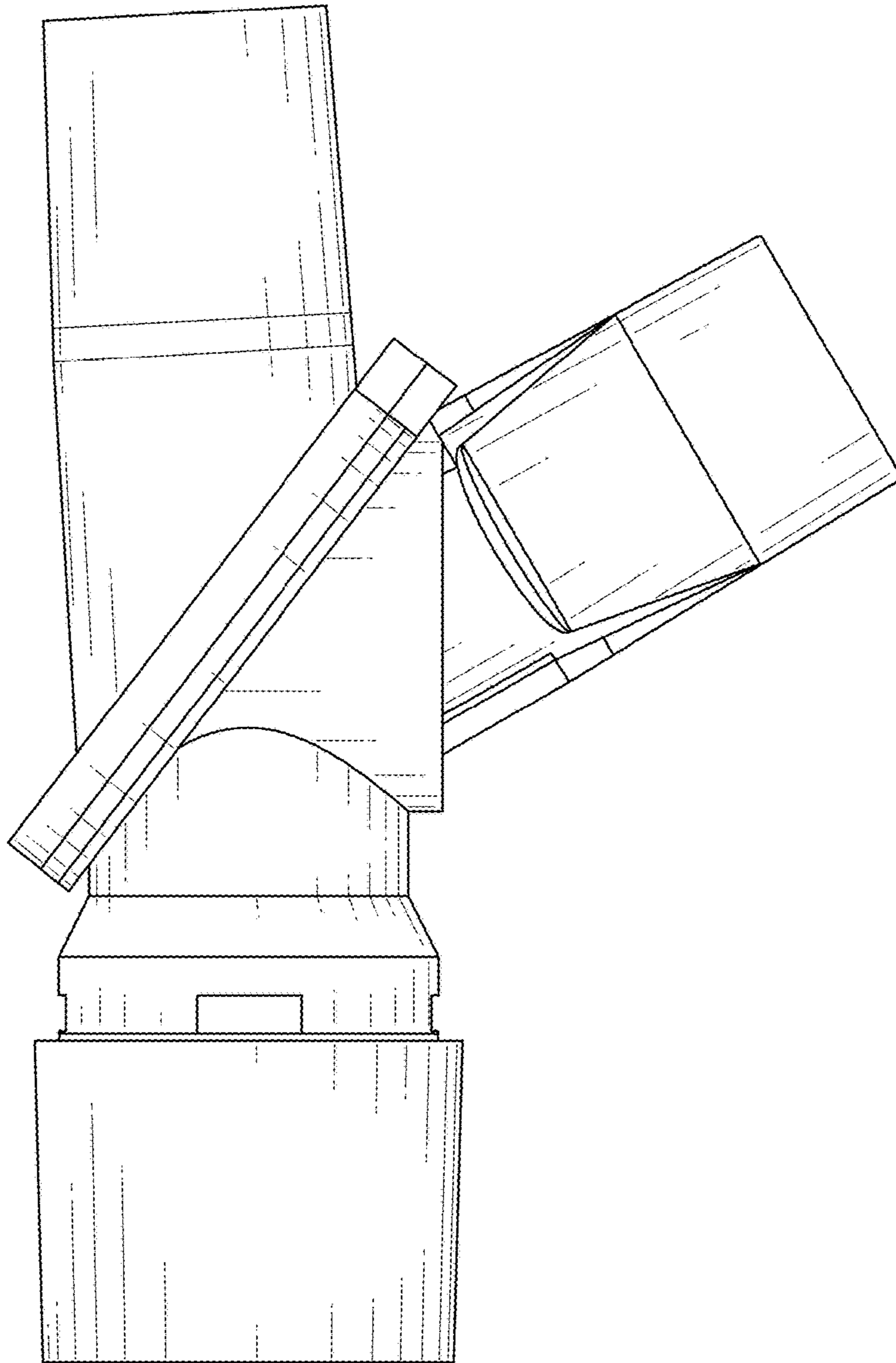


FIG. 4

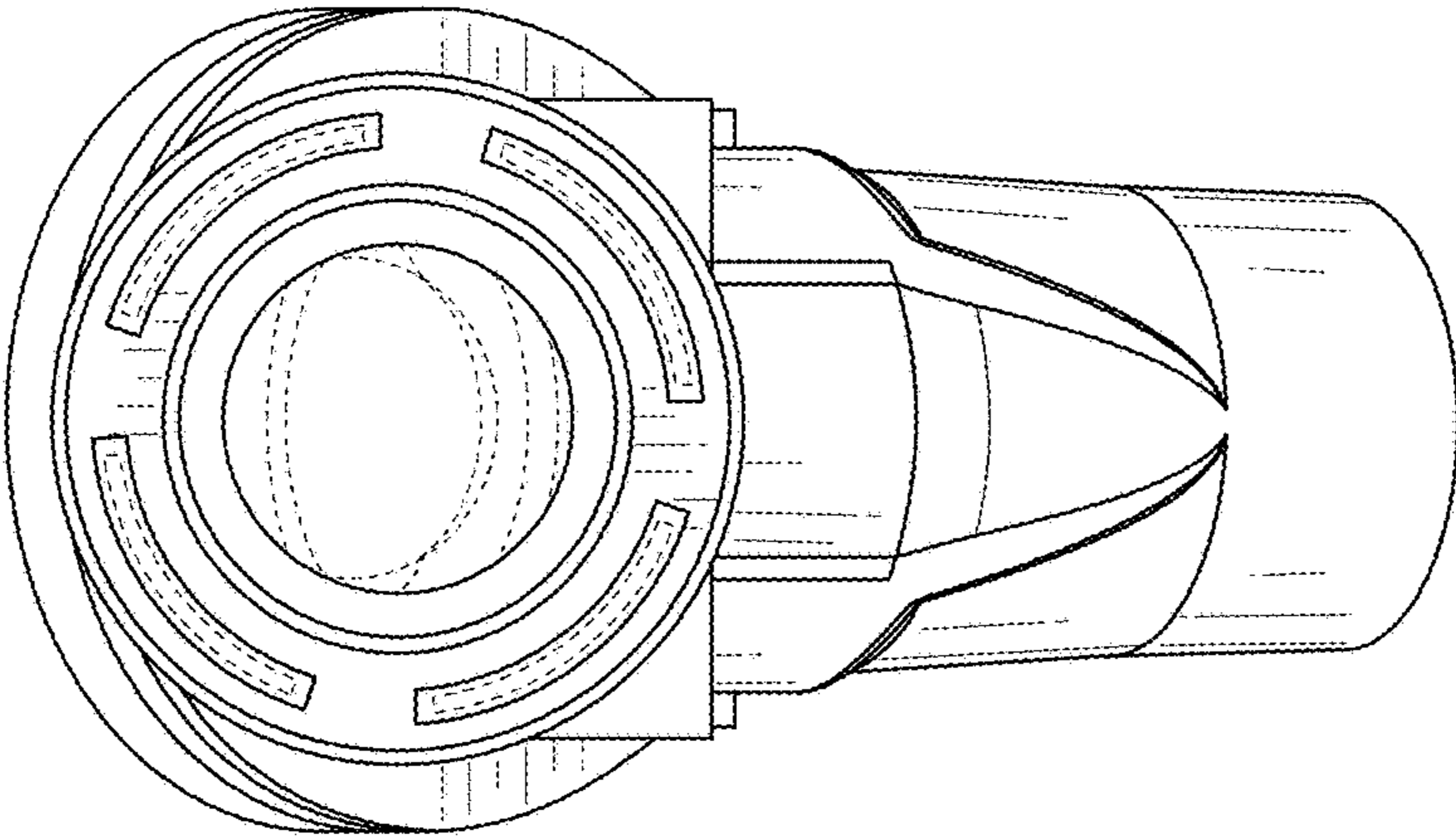


FIG. 5

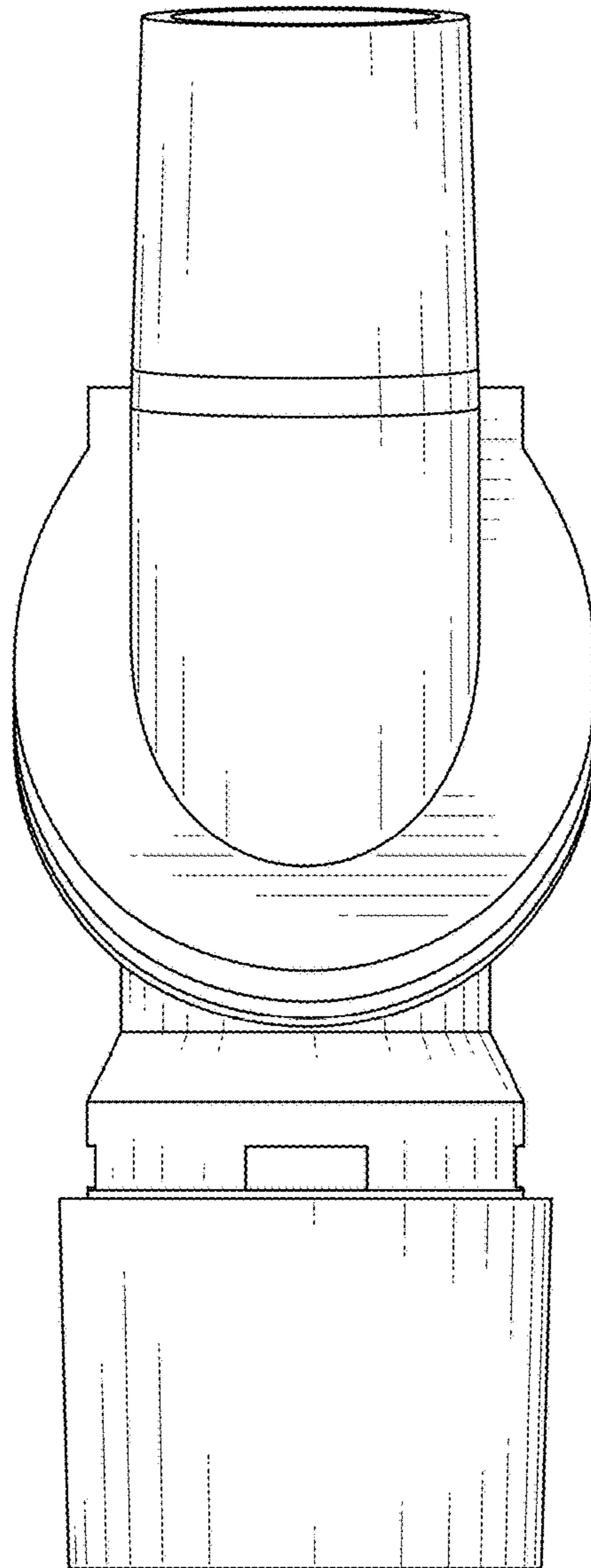


FIG. 6

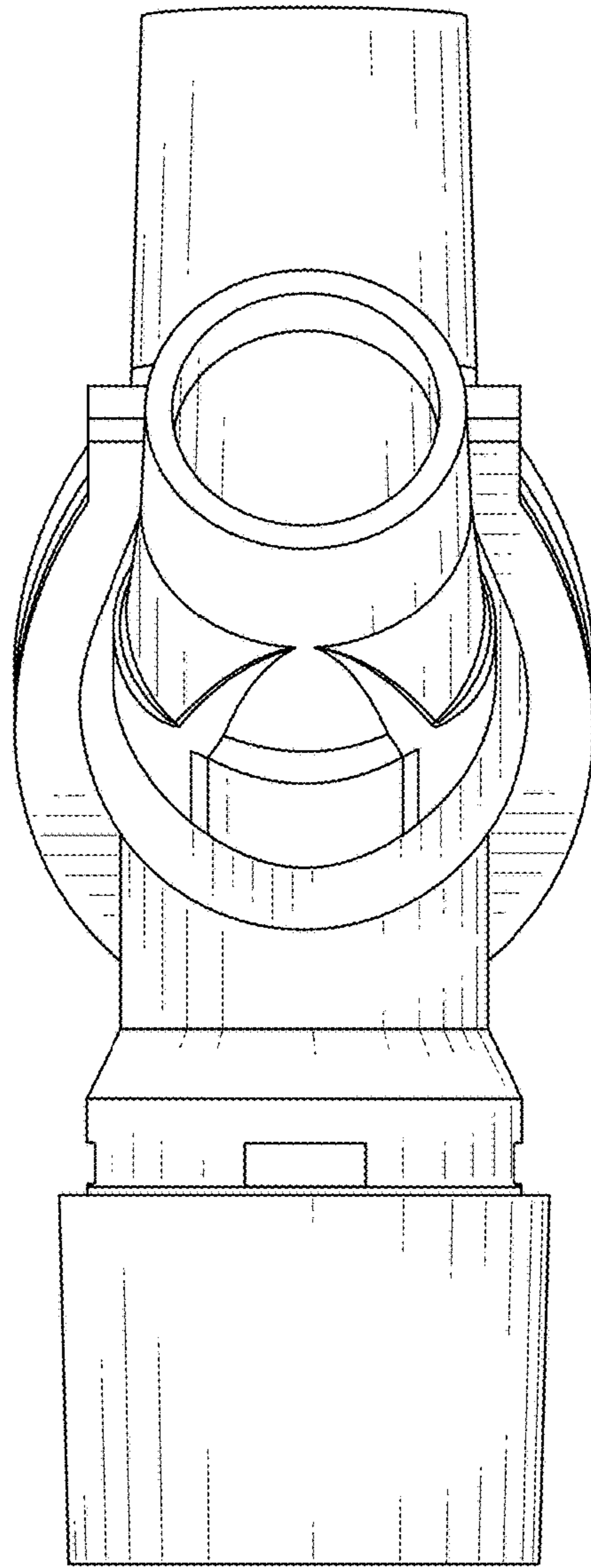


FIG. 7