



US00D852352S

(12) **United States Design Patent** (10) **Patent No.:** **US D852,352 S**
Dobson et al. (45) **Date of Patent:** **** Jun. 25, 2019**

(54) **PENIS SHEATH FOR MALES WITH URINARY INCONTINENCE**
(71) Applicants: **Edward Dobson**, Alta Loma, CA (US); **Larry Dobson**, Lamar, CA (US)
(72) Inventors: **Edward Dobson**, Alta Loma, CA (US); **Larry Dobson**, Lamar, CA (US)
(**) Term: **15 Years**
(21) Appl. No.: **29/641,483**
(22) Filed: **Mar. 22, 2018**
(51) **LOC (11) Cl.** **24-02**
(52) **U.S. Cl.**
USPC **D24/122**
(58) **Field of Classification Search**
USPC D24/121–123, 224, 274; 4/144.1–144.4, 4/459, 460; 604/349, 350, 351, 354, 329, 604/317, 318, 334; 600/573, 574, 580; D7/700
CPC A61F 5/4408; A61F 13/471; A61F 5/48; A61F 2005/4402; A61F 5/453; A61F 5/441; A61G 9/00; A61G 9/006
See application file for complete search history.

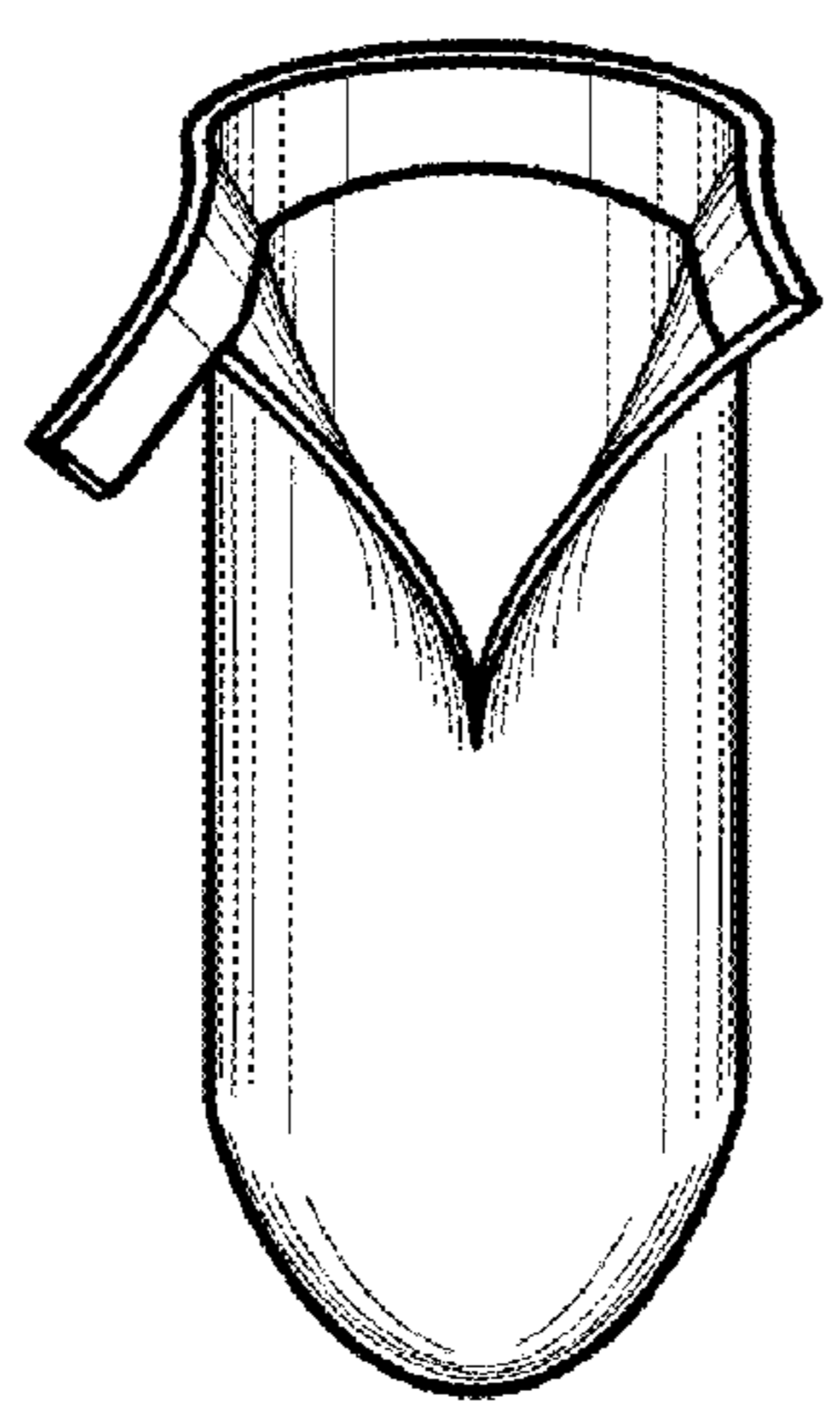
5,855,206 A * 1/1999 Ireland A61F 6/04 128/842
6,248,096 B1 * 6/2001 Dwork A61F 5/453 604/347
6,635,038 B2 10/2003 Scovel
7,018,367 B2 * 3/2006 Nava A61F 5/453 4/144.3
7,160,277 B2 * 1/2007 Elson A61F 5/453 604/349
8,961,482 B2 * 2/2015 Heyman A61F 5/453 604/349
2008/0011310 A1 * 1/2008 Anderson A61F 2/0054 128/885
2008/0234642 A1 9/2008 Patterson et al.
2011/0054428 A1 3/2011 Hill
2014/0358098 A1 12/2014 Henderson
2015/0209194 A1 7/2015 Heyman
2015/0257924 A1 9/2015 Siegel
2017/0165100 A1 6/2017 Jackson
2017/0216082 A1 * 8/2017 Liscio, Jr. A61F 5/453
2017/0319372 A1 11/2017 Lee

* cited by examiner
Primary Examiner — David G Muller
(74) *Attorney, Agent, or Firm* — Kenneth Avila

(57) **CLAIM**
We claim the ornamental design for a penis sheath for males with urinary incontinence, as shown and described.

(56) **References Cited**
U.S. PATENT DOCUMENTS
3,661,155 A * 5/1972 Lindan A61F 5/455 128/835
4,187,851 A * 2/1980 Hauser A61F 5/453 604/290
4,656,675 A * 4/1987 Fajnsztajn A61F 5/453 4/144.3
4,790,835 A * 12/1988 Elias A61F 5/453 604/349
4,971,074 A * 11/1990 Hrubetz A61F 2/0054 128/885
5,009,649 A * 4/1991 Goulter A61F 5/453 604/349

DESCRIPTION
FIG. 1 is a front view our new design of a sheath to hold a penis, the design containing a slit that is shown in the open position;
FIG. 2 is a front view thereof with the slit shown in the closed position;
FIG. 3 is a right side elevation view thereof;
FIG. 4 is a left side elevation view thereof; and,
FIG. 5 is a rear elevation view thereof with the slit shown in the closed position.
1 Claim, 5 Drawing Sheets



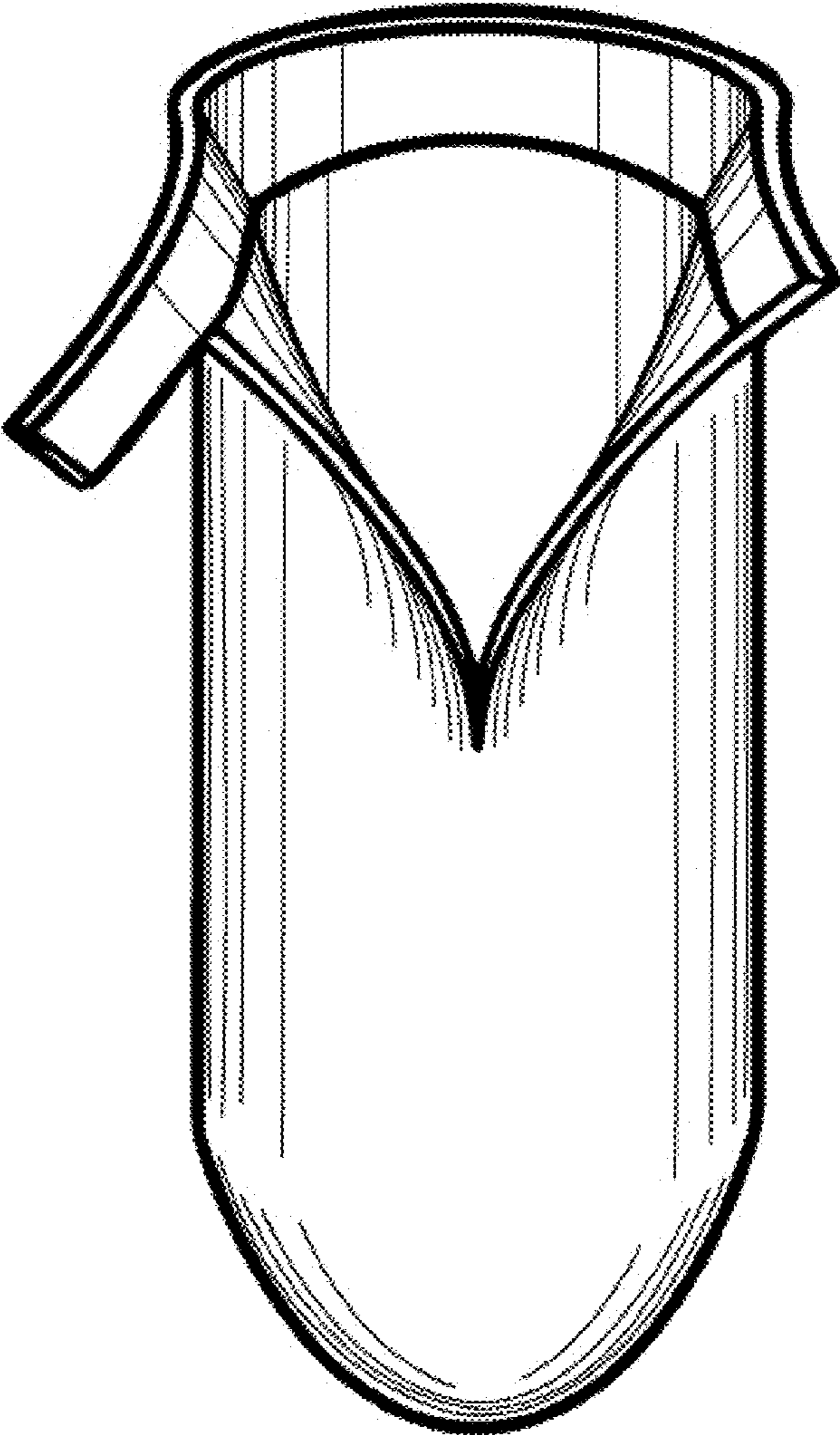


FIG. 1

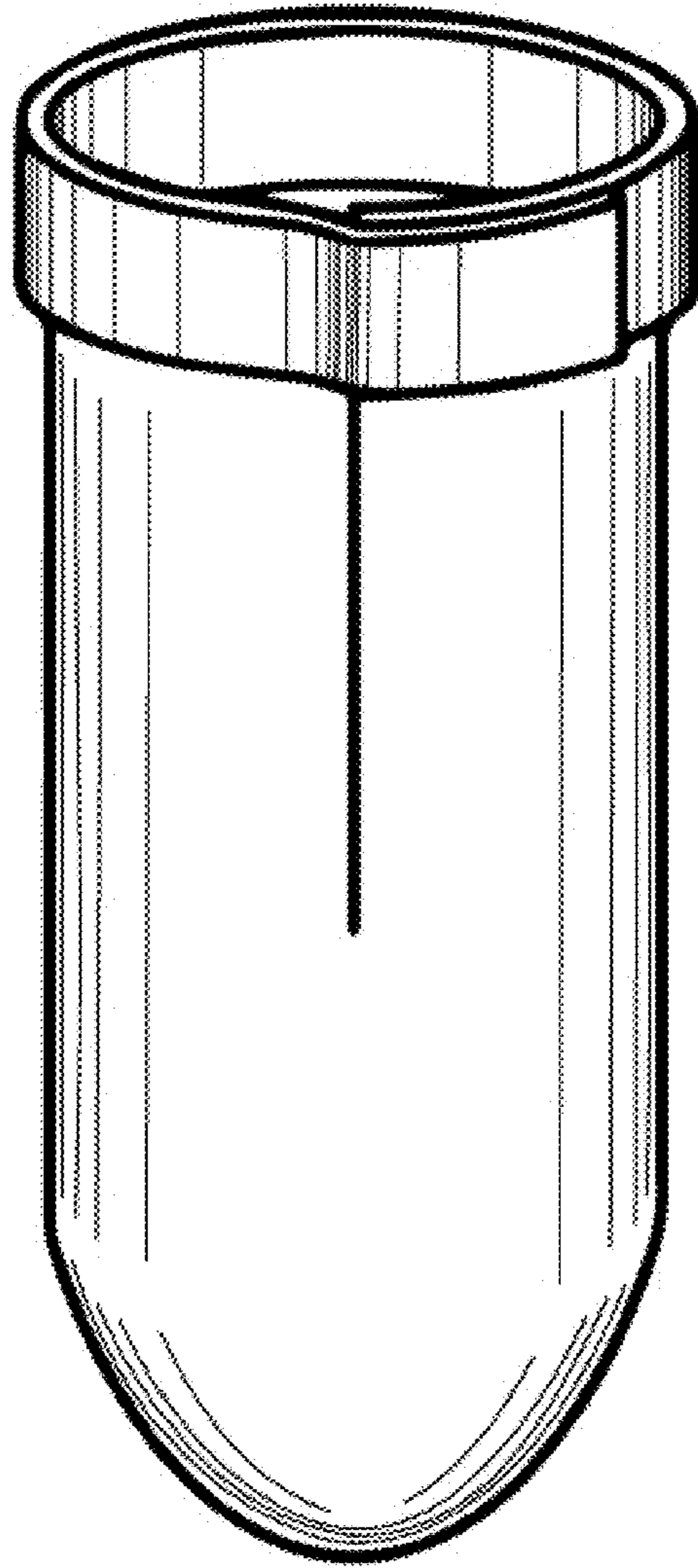


FIG. 2

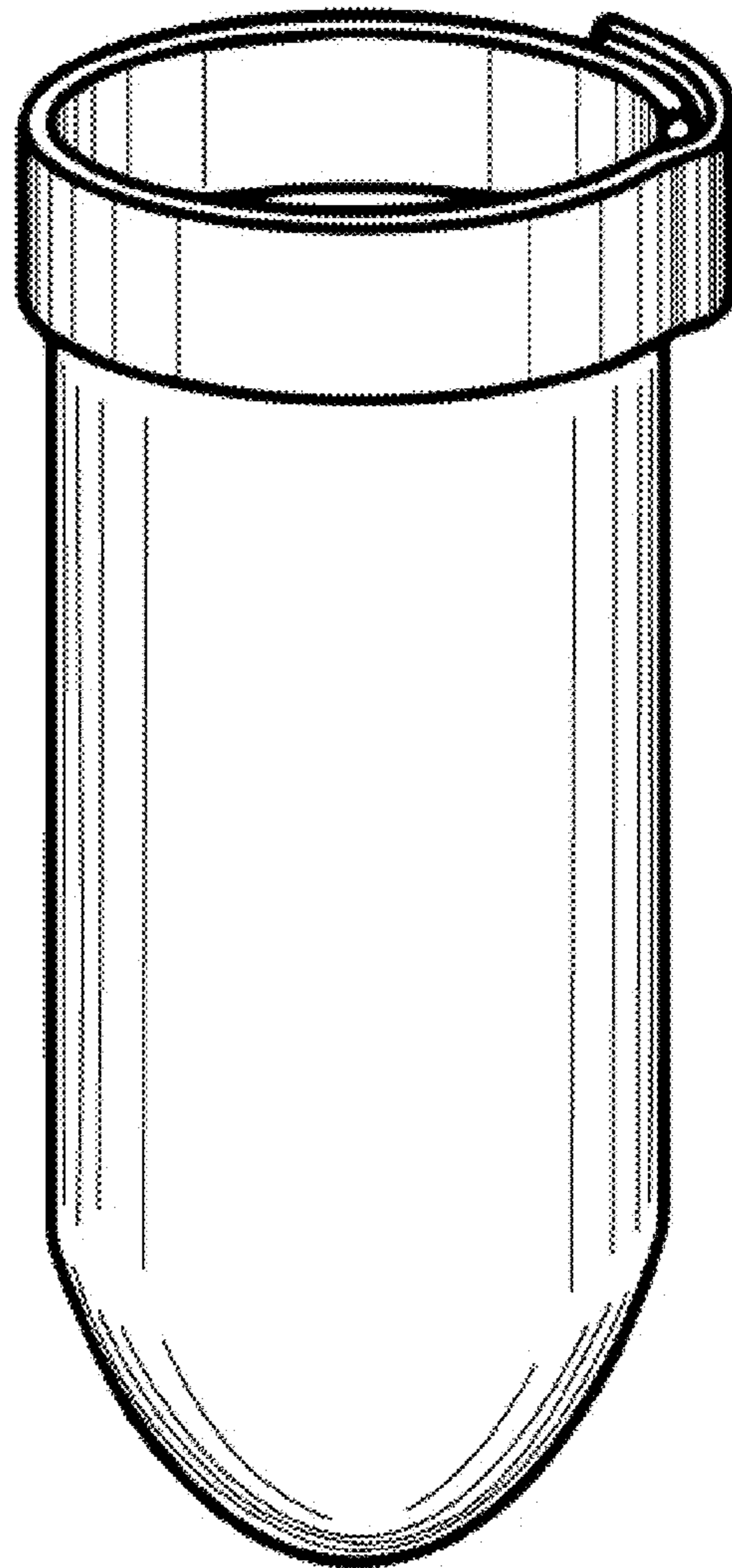


FIG. 3

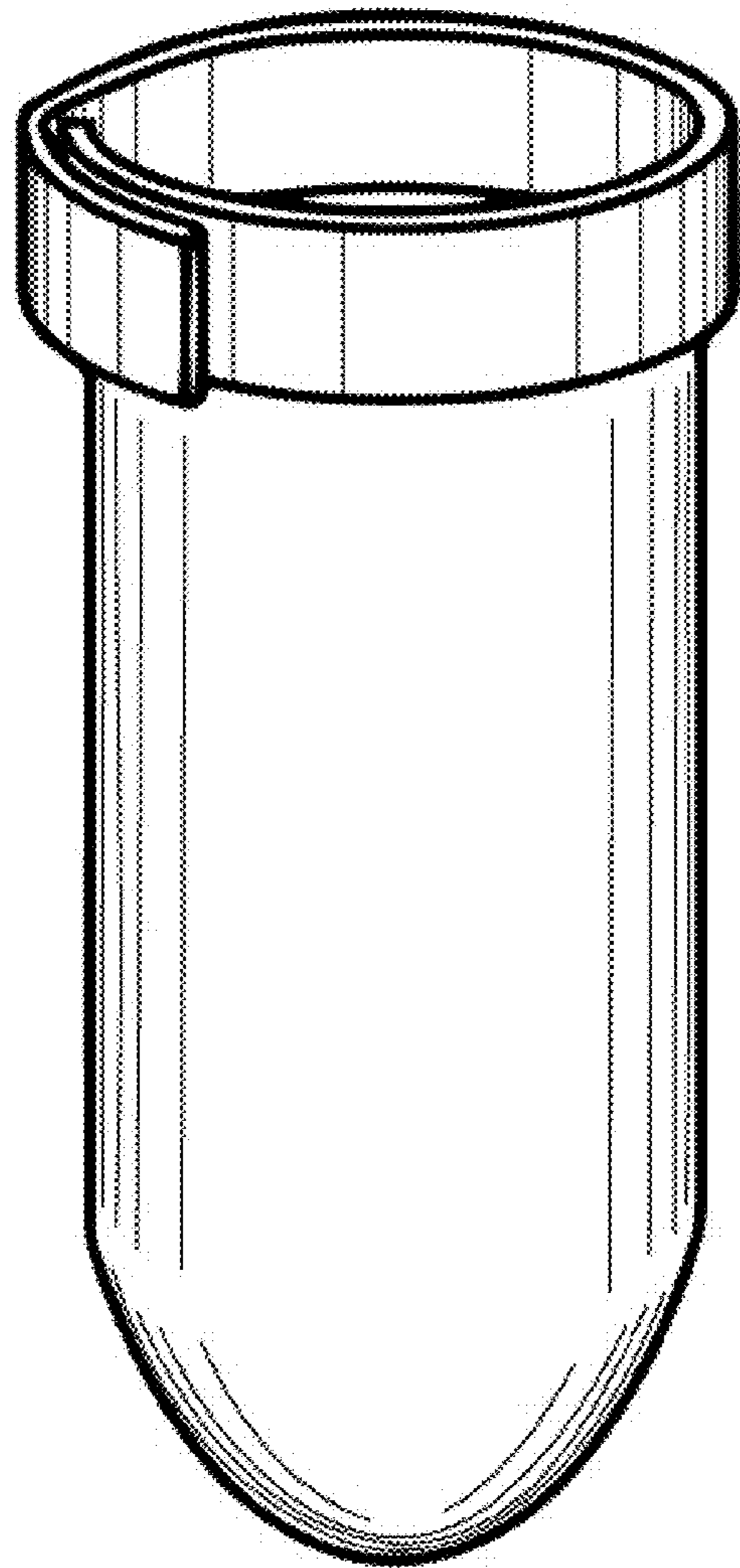


FIG. 4

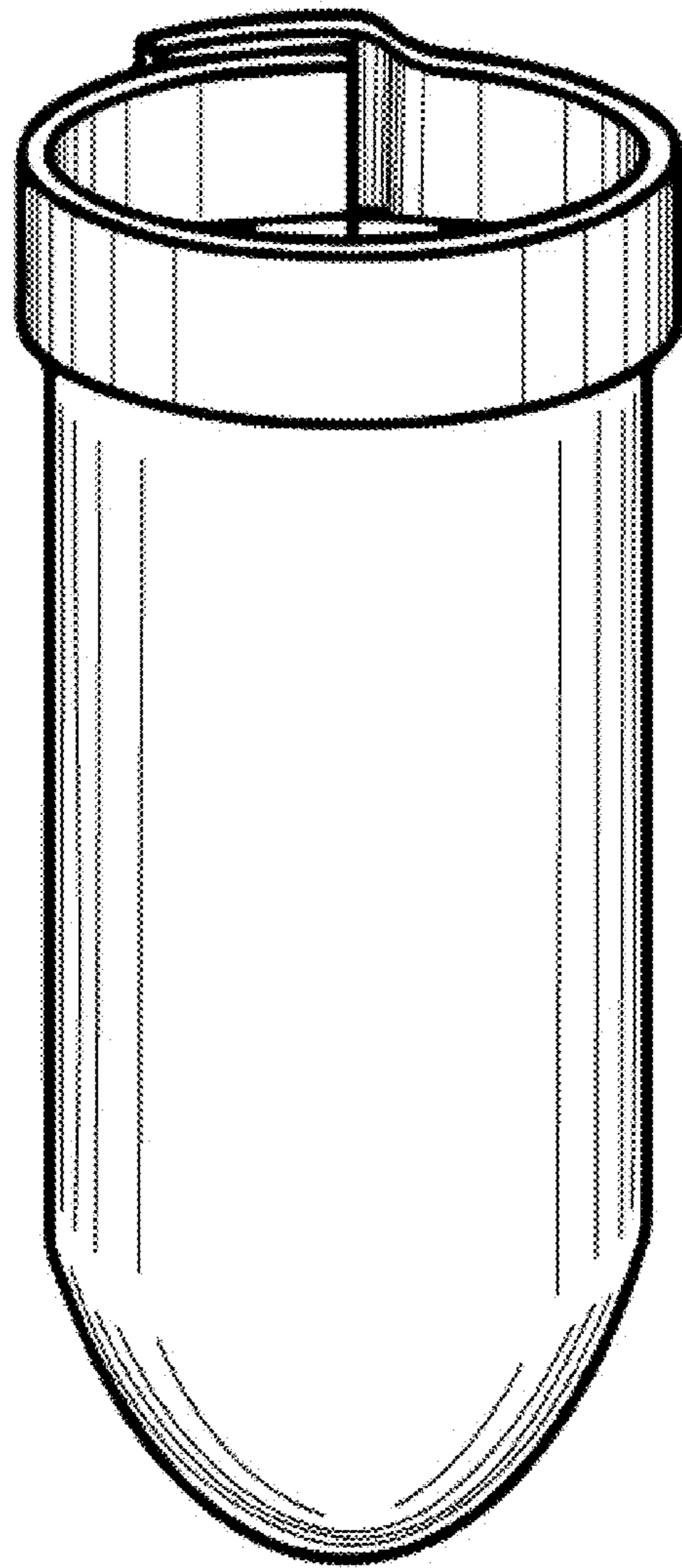


FIG. 5