



US00D852351S

(12) **United States Design Patent** (10) **Patent No.:** **US D852,351 S**
Alvino et al. (45) **Date of Patent:** **** *Jun. 25, 2019**

(54) **COMBINATION EYE CUP AND DROP DISPENSER**

(71) Applicants: **James Alvino**, Huntington Beach, CA (US); **Joseph Alvino**, Huntington Beach, CA (US)

(72) Inventors: **James Alvino**, Huntington Beach, CA (US); **Joseph Alvino**, Huntington Beach, CA (US)

(*) Notice: This patent is subject to a terminal disclaimer.

(**) Term: **15 Years**

(21) Appl. No.: **29/528,776**

(22) Filed: **Jun. 1, 2015**

(51) **LOC (11) Cl.** **24-02**

(52) **U.S. Cl.**
USPC **D24/120**

(58) **Field of Classification Search**
USPC D24/110, 115, 116, 118, 121
CPC A61F 9/0008; A61F 9/0026; A61F 2230/0091; A61F 2250/0004; B65D 47/18; B65D 83/30; A61H 35/02; A61M 35/003; A61M 35/00
See application file for complete search history.

(56) **References Cited**

U.S. PATENT DOCUMENTS

2,585,264	A *	2/1952	Mock	A61H 35/02 604/301
D248,448	S *	7/1978	McClure	D24/115
6,197,008	B1 *	3/2001	Hagele	A61F 9/0008 222/420
6,371,945	B1 *	4/2002	Sherman	A61F 9/0026 604/300
6,530,908	B1 *	3/2003	Sherman	A61F 9/0026 604/300

D594,969	S *	6/2009	Marquis	D24/110
9,072,580	B2 *	7/2015	Alvino	A61F 9/0026
D748,247	S *	1/2016	MacRae	D24/120
9,629,953	B2 *	4/2017	Rucinski	A61M 3/0233
9,636,449	B2 *	5/2017	Mehta	A61M 3/0287
2007/0093765	A1 *	4/2007	Kawashiro	A61F 9/0008 604/295
2008/0302830	A1 *	12/2008	Loth-Krausser	A61F 9/0008 222/215
2016/0128868	A1 *	5/2016	Lin	A61F 9/0026 604/295
2016/0167838	A1 *	6/2016	Dong	B65D 41/0492 220/255
2017/0057709	A1 *	3/2017	Thukral	B65D 47/18
2017/0065800	A1 *	3/2017	Weber	A45D 34/041

* cited by examiner

Primary Examiner — Thomas Johannes

Assistant Examiner — Samantha Q Lawrence

(74) *Attorney, Agent, or Firm* — Steins & Associates, P.C.

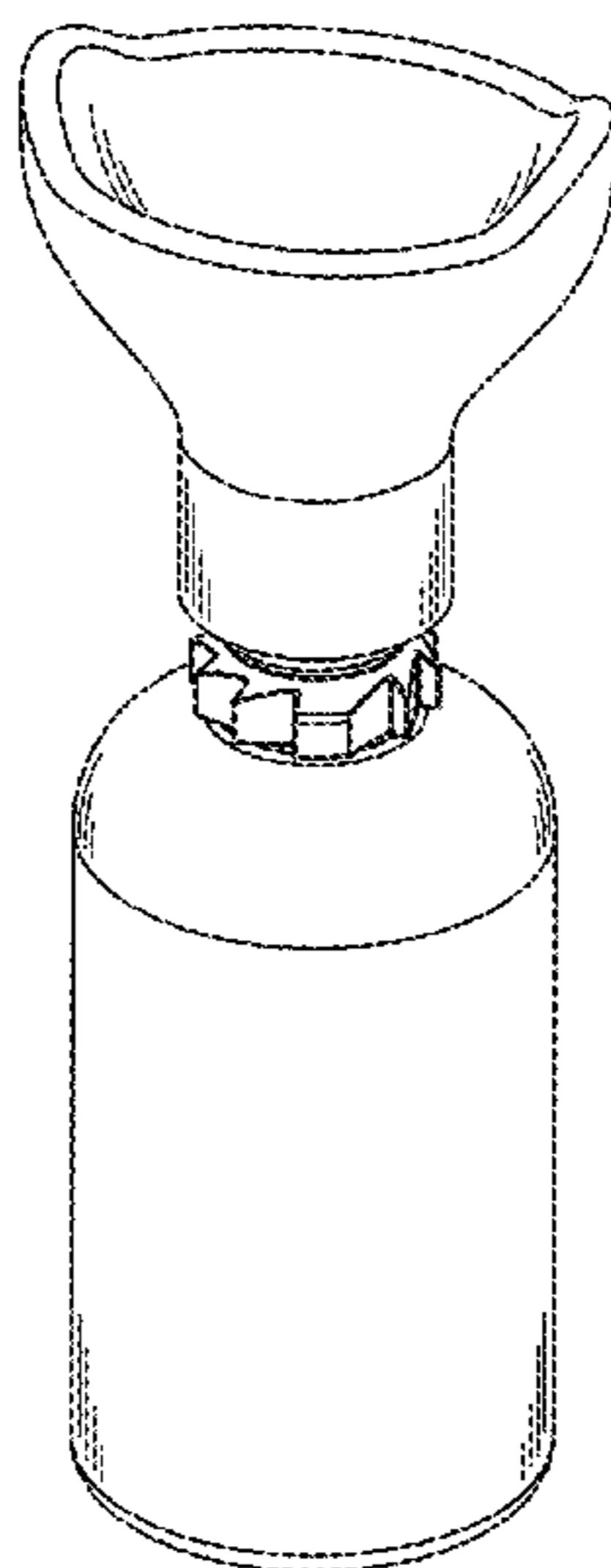
(57) **CLAIM**

The ornamental design for a combination eye cup and drop dispenser, as shown and described.

DESCRIPTION

FIG. 1 is a front perspective view of a combination eye cup and drop dispenser.
FIG. 2 is an exploded front perspective view thereof;
FIG. 3 is a side view thereof;
FIG. 4 is an exploded side view thereof;
FIG. 5 is a front view thereof;
FIG. 6 is an exploded front view thereof;
FIG. 7 is a perspective view thereof;
FIG. 8 is an exploded perspective view thereof;
FIG. 9 is a top perspective view thereof;
FIG. 10 is a top view thereof; and,
FIG. 11 is a bottom view thereof.
The broken areas shown in the drawing(s) form no part of the claimed design.

1 Claim, 5 Drawing Sheets



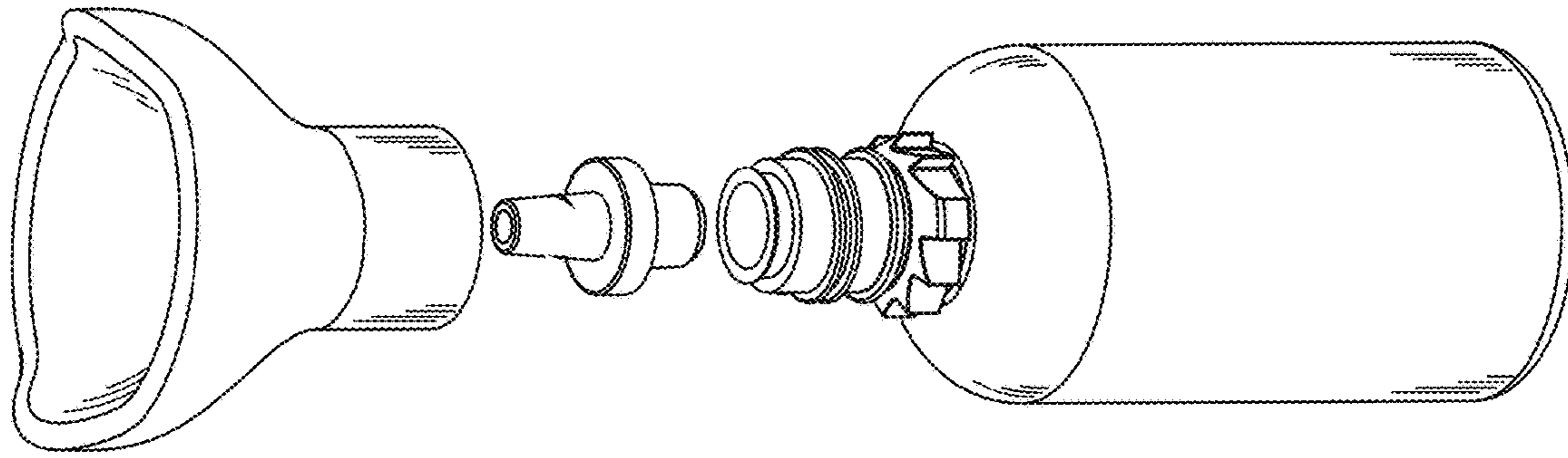


FIG. 2

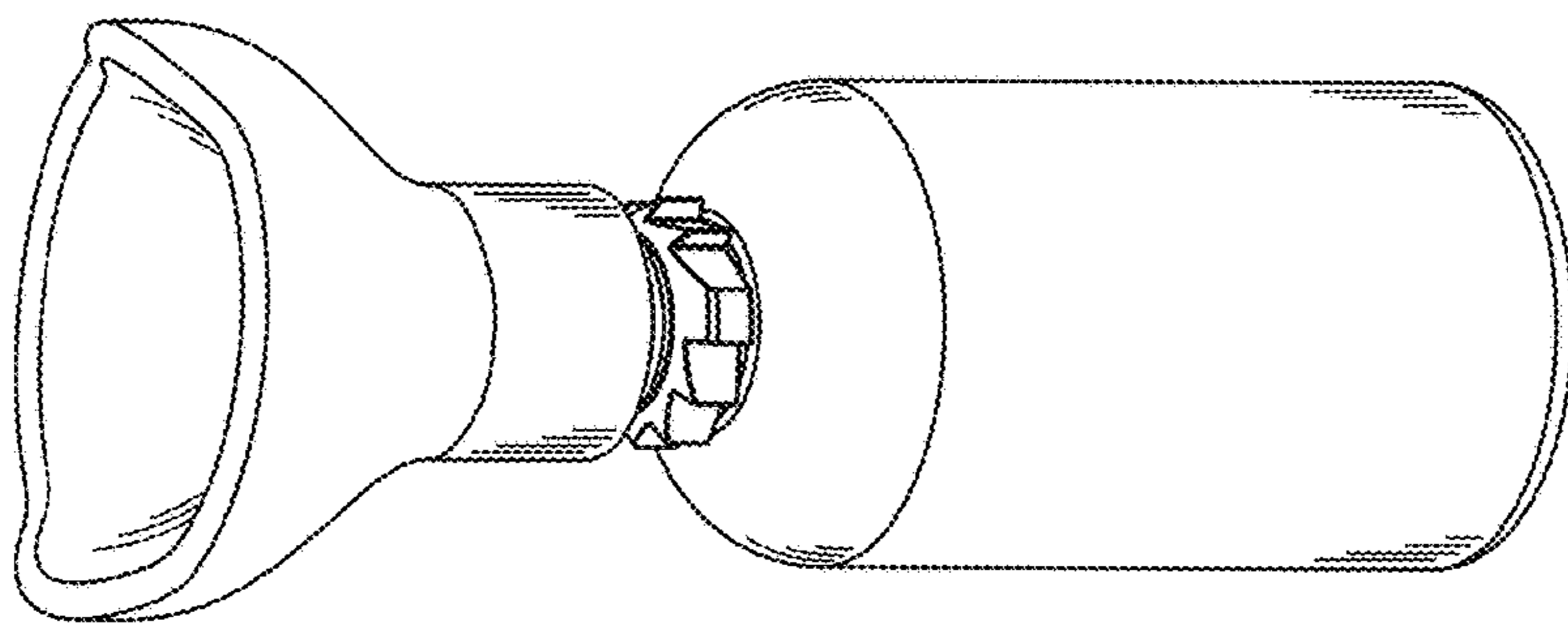


FIG. 1

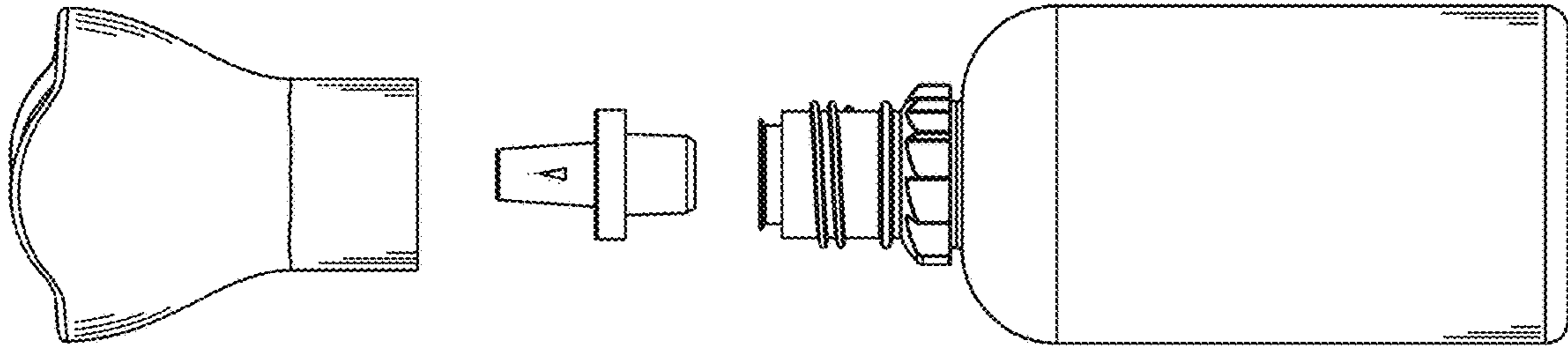


FIG. 4

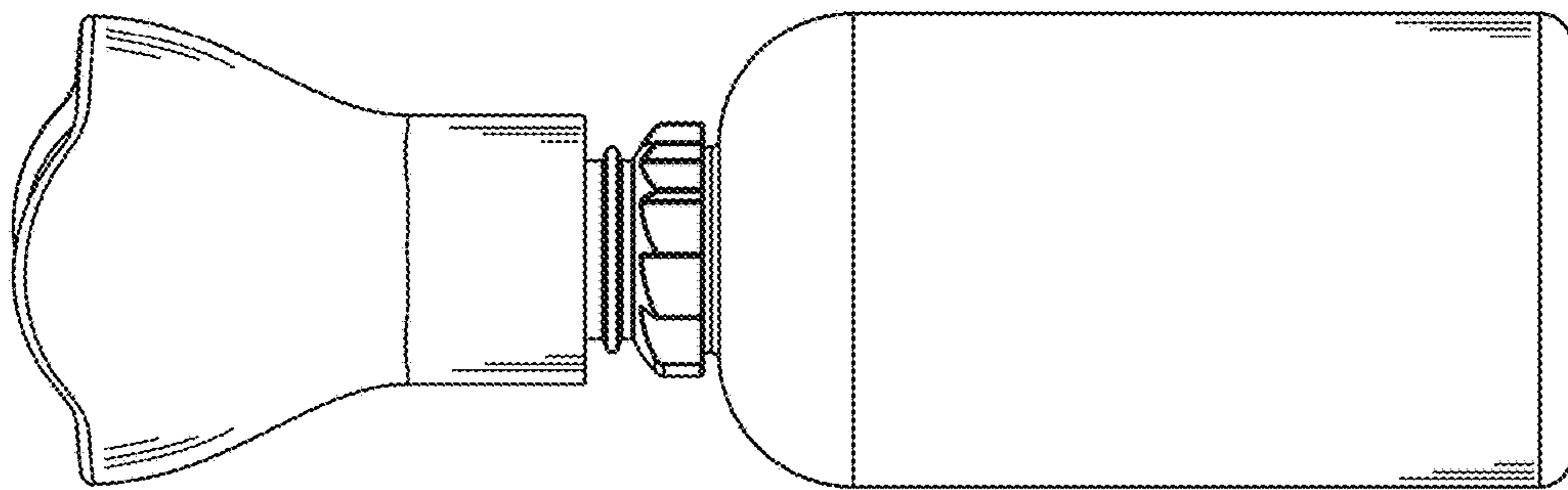


FIG. 3

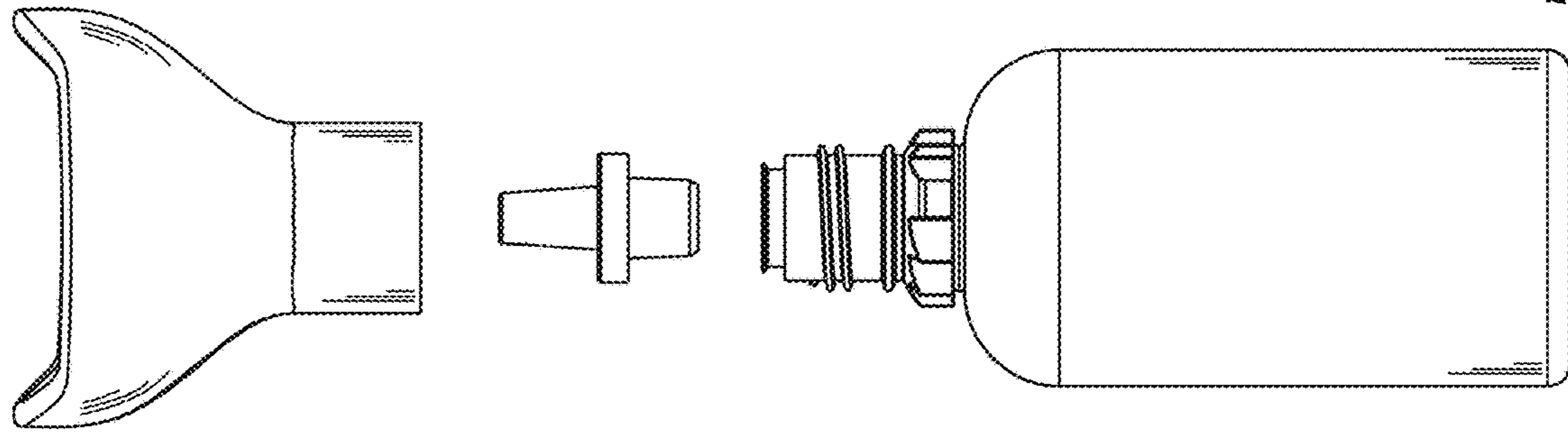


FIG. 6

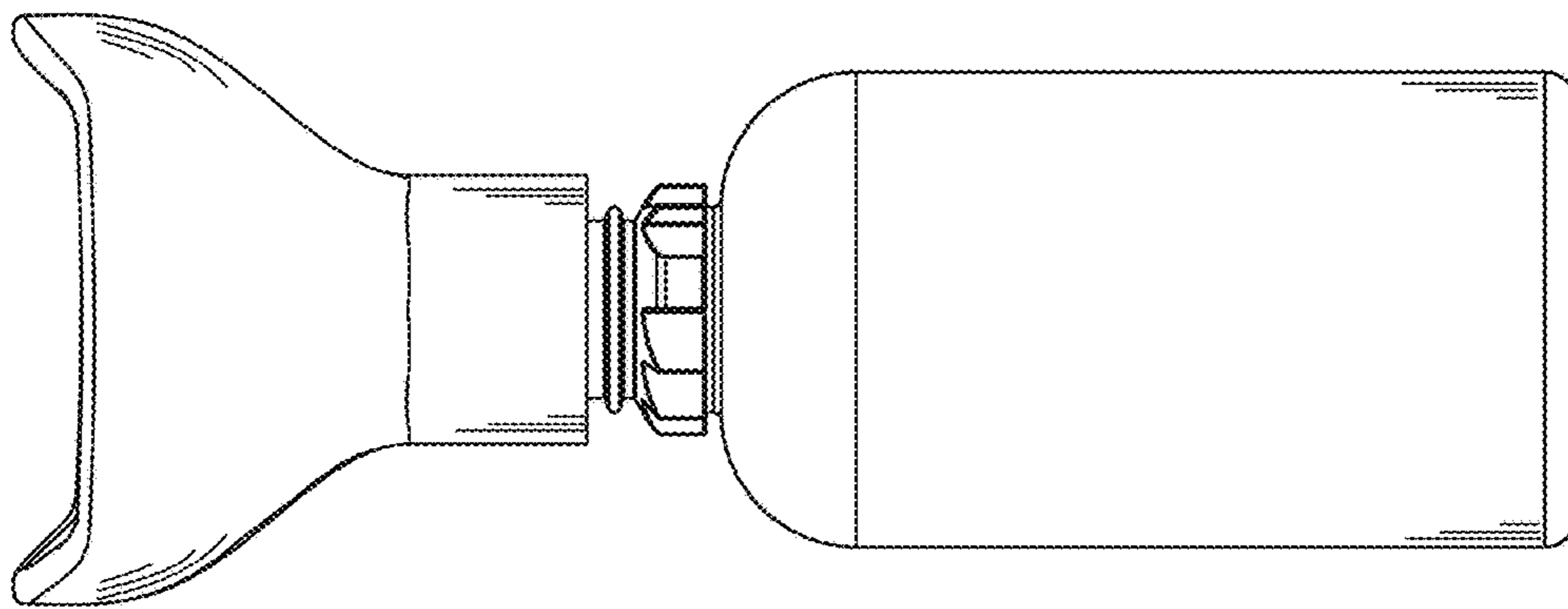


FIG. 5

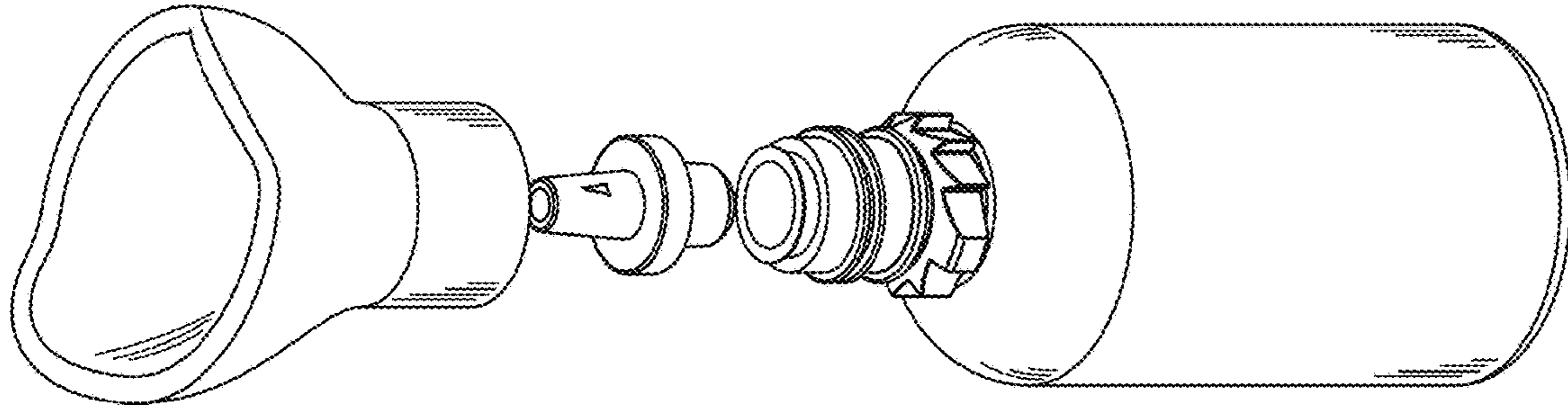


FIG. 8

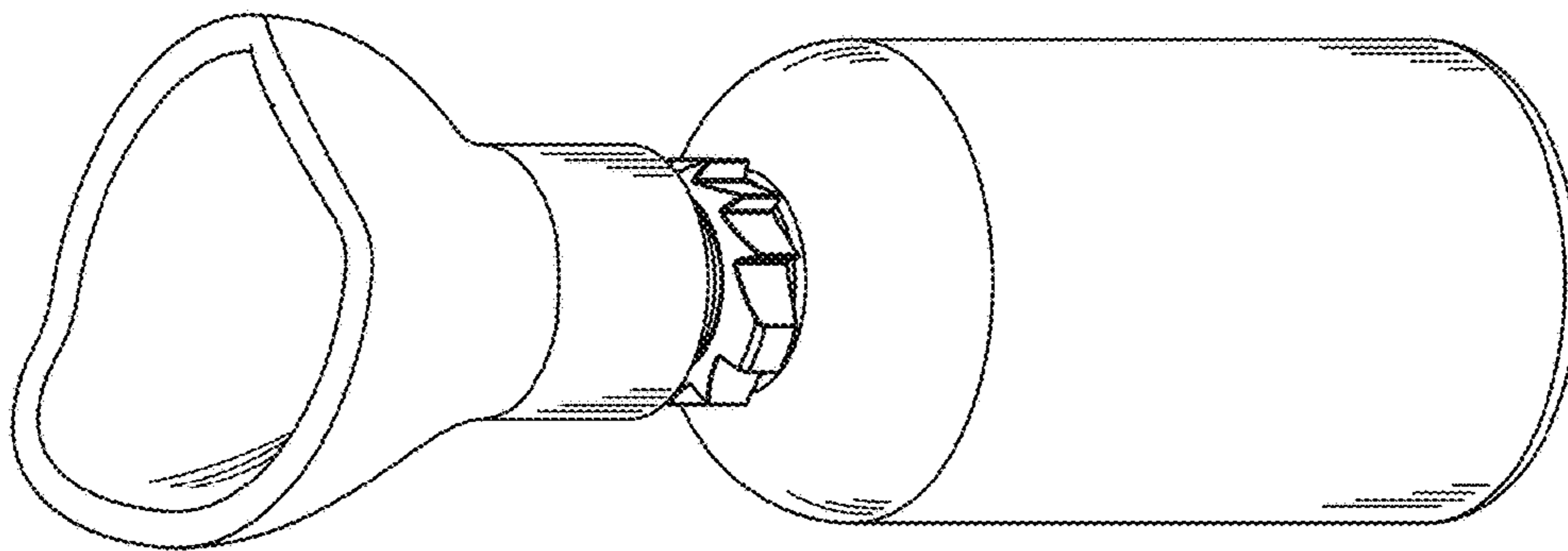


FIG. 7

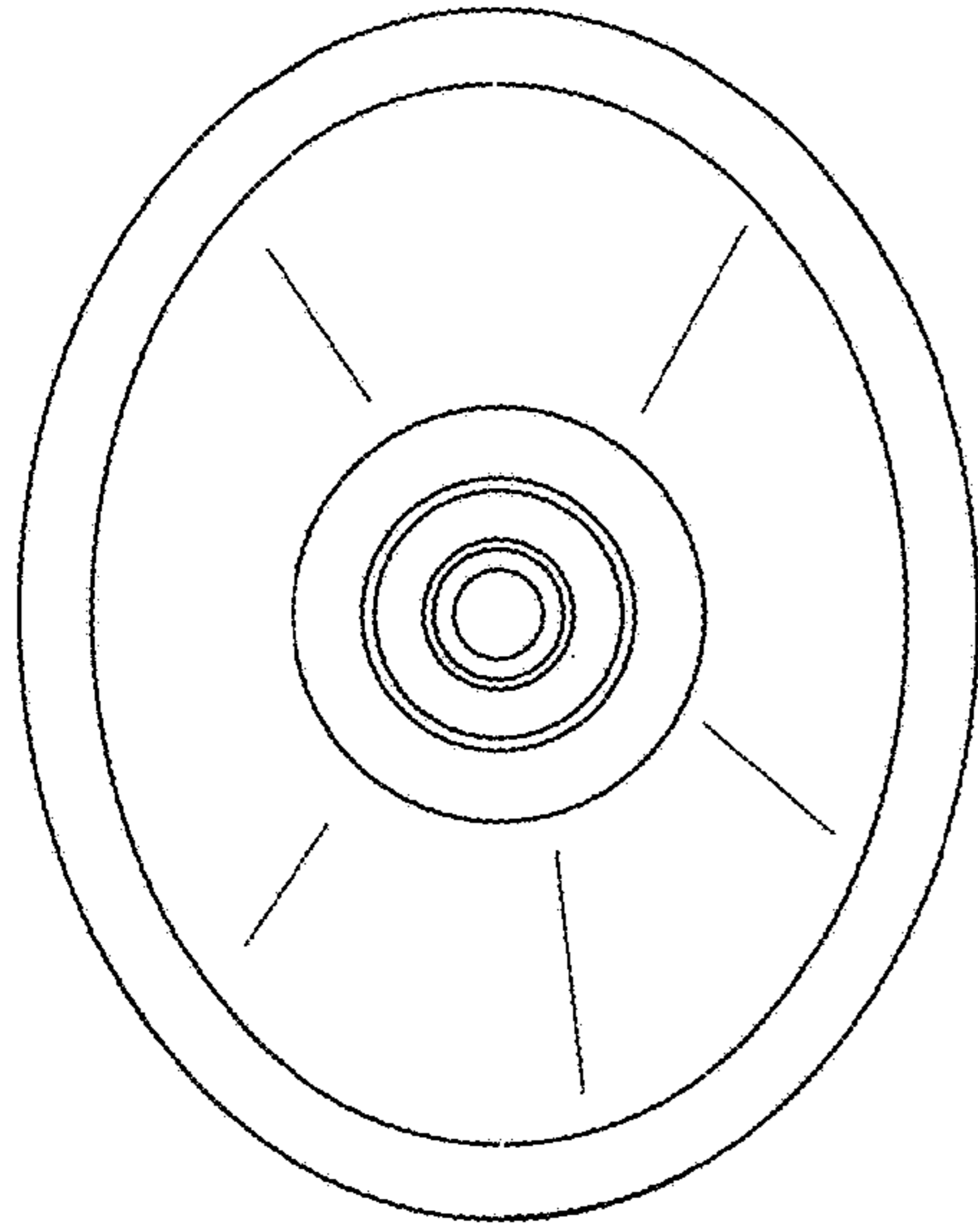


FIG. 10

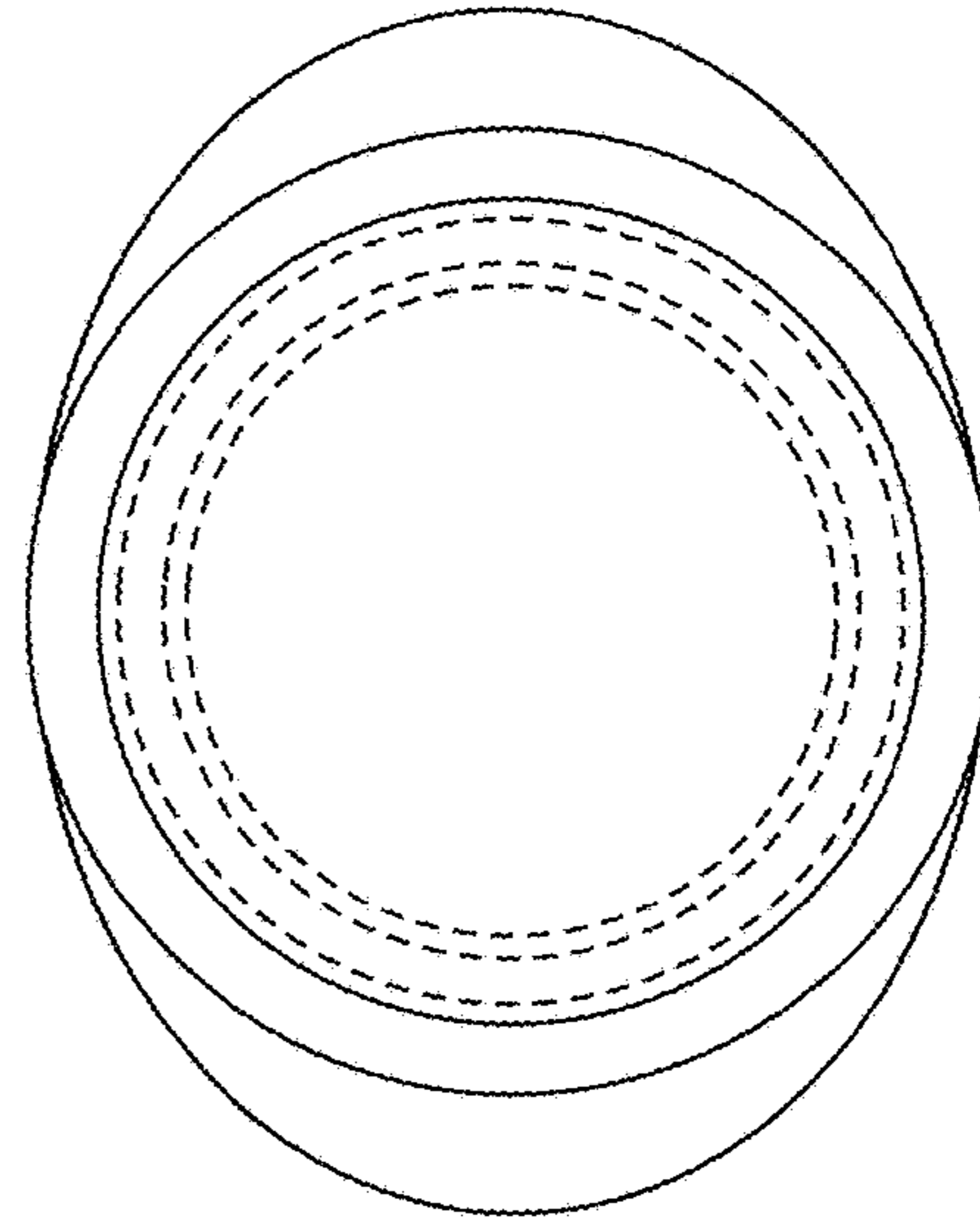


FIG. 11

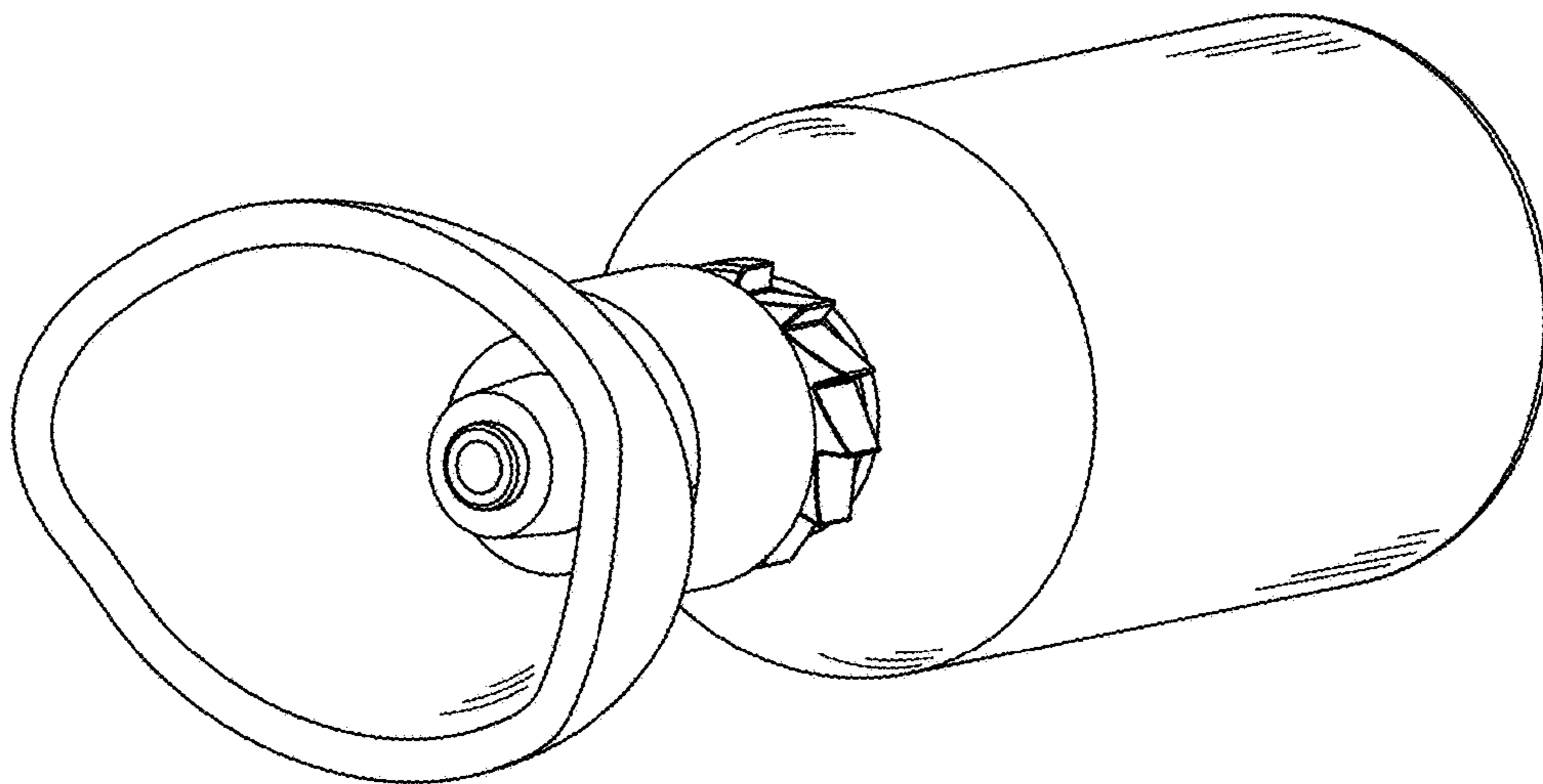


FIG. 9