



US00D852350S

(12) **United States Design Patent** (10) **Patent No.:** **US D852,350 S**
Gilbert et al. (45) **Date of Patent:** **** Jun. 25, 2019**

(54) **BREAST SHIELD CONNECTOR FOR BREAST PUMP**
(71) Applicant: **MEDELA HOLDING AG**, Baar (CH)
(72) Inventors: **Deanna Gilbert**, Arlington Heights, IL (US); **Kathryn Mizuchi**, Round Lake Beach, IL (US); **Raymond Holtz**, Chicago, IL (US); **Federico Ferretti**, Cesena (IT); **Emanuele Teobaldo**, Milan (IT); **Elisa Cucchetto**, Milan (IT); **Jennifer Ashman-Stauss**, Cincinnati, OH (US)

5,749,850 A 5/1998 Williams et al.
D496,097 S 9/2004 Rosnak et al.
D500,551 S 1/2005 Lantz et al.
7,201,735 B2 4/2007 Atkin et al.
D609,330 S 2/2010 Paterson et al.
D609,331 S 2/2010 Paterson et al.

(Continued)

FOREIGN PATENT DOCUMENTS

CN 202154891 U 3/2012
CN 202497512 U 10/2012

(Continued)

Primary Examiner — Lilyana Bekic

(74) *Attorney, Agent, or Firm* — Marshall, Gerstein & Borun LLP

(73) Assignee: **MEDELA HOLDING AG**, Baar (CH)

(**) Term: **15 Years**

(21) Appl. No.: **29/611,908**

(22) Filed: **Jul. 26, 2017**

Related U.S. Application Data

(62) Division of application No. 29/586,568, filed on Dec. 5, 2016, now Pat. No. Des. 799,024, which is a division of application No. 29/523,677, filed on Apr. 13, 2015, now Pat. No. Des. 776,803.

(51) **LOC (11) Cl.** **24-02**

(52) **U.S. Cl.**
USPC **D24/109**

(58) **Field of Classification Search**
USPC D24/108, 109, 127; D9/500, 549, 688, D9/690
CPC A61M 1/062; A61M 1/06; A61M 1/066; A61M 1/064; A61J 9/00; A61J 9/001

See application file for complete search history.

(56) **References Cited**

U.S. PATENT DOCUMENTS

4,778,068 A * 10/1988 Kohus A61J 9/00 215/11.1
D372,975 S 8/1996 Meyers et al.

(57) **CLAIM**

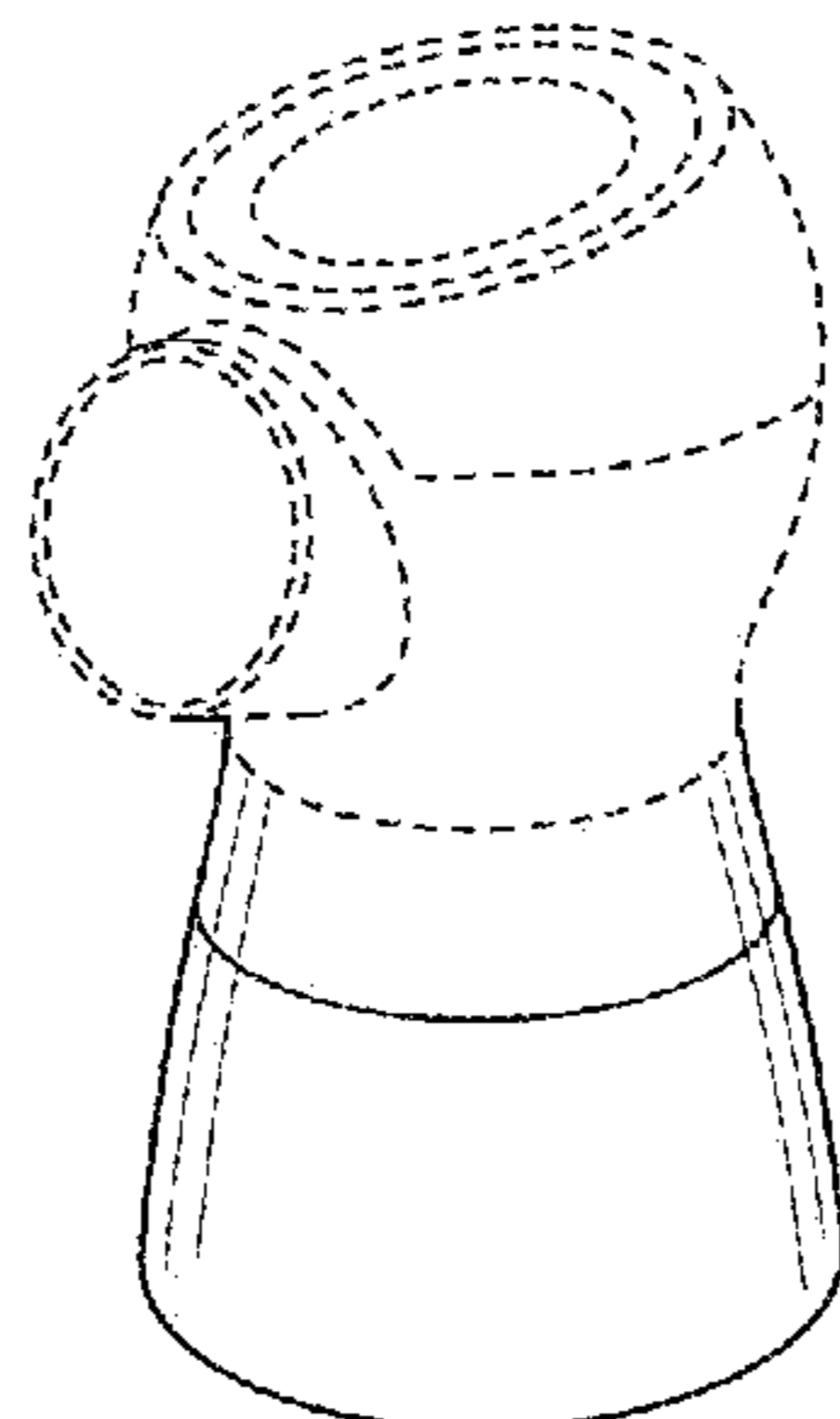
The ornamental design for a breast shield connector for breast pump, as shown and described.

DESCRIPTION

FIG. 1 is a right, front perspective view of a breast shield connector for breast pump of the present invention; FIG. 2 is a left, rear perspective view of the breast shield connector for breast pump illustrated in FIG. 1; FIG. 3 is a front elevational view of the breast shield connector for breast pump illustrated in FIG. 1; FIG. 4 is a right side elevational view of the breast shield connector for breast pump illustrated in FIG. 1, the left side elevational view being a mirror image thereof; FIG. 5 is a rear elevational view of the breast shield connector for breast pump illustrated in FIG. 1; and, FIG. 6 is a top view of the breast shield connector for breast pump illustrated in FIG. 1.

The broken lines in the drawings illustrate portions of the breast shield connector for breast pump that form no part of the claimed design.

1 Claim, 1 Drawing Sheet



(56)

References Cited

U.S. PATENT DOCUMENTS

7,776,008 B2 * 8/2010 Renz A61M 1/06
604/74
D629,884 S * 12/2010 Stephens D24/108
D690,411 S * 9/2013 Reynolds D24/108
D701,955 S * 4/2014 Thomas D24/109
D726,538 S * 4/2015 Behar D9/500
D776,803 S 1/2017 Gilbert et al.
D796,026 S * 8/2017 Holtz D24/109
D799,024 S * 10/2017 Gilbert D24/109
D837,652 S * 1/2019 George D9/516
2005/0154348 A1 7/2005 Lantz et al.
2008/0171970 A1 7/2008 Luzbetak et al.
2008/0208115 A1 8/2008 Kliegman et al.
2009/0314734 A1 * 12/2009 Pfenniger A61J 11/0015
215/11.1
2010/0324477 A1 12/2010 Paterson et al.
2013/0123688 A1 5/2013 Bosman et al.
2013/0245548 A1 9/2013 Cook et al.
2014/0088495 A1 * 3/2014 Behrens A61M 1/06
604/74
2017/0072119 A1 * 3/2017 Aalders A61M 1/06
2017/0112983 A1 * 4/2017 Thorne A61M 1/06
2018/0104395 A1 * 4/2018 Aalders A61M 1/06
2018/0154055 A1 * 6/2018 Alvarez A61M 1/0072
2018/0296443 A1 * 10/2018 Roehrig A61J 9/08

FOREIGN PATENT DOCUMENTS

CN 103153358 A 6/2013
CN 103251992 A 8/2013
WO WO-2012/127405 A1 9/2012

* cited by examiner

Fig. 1

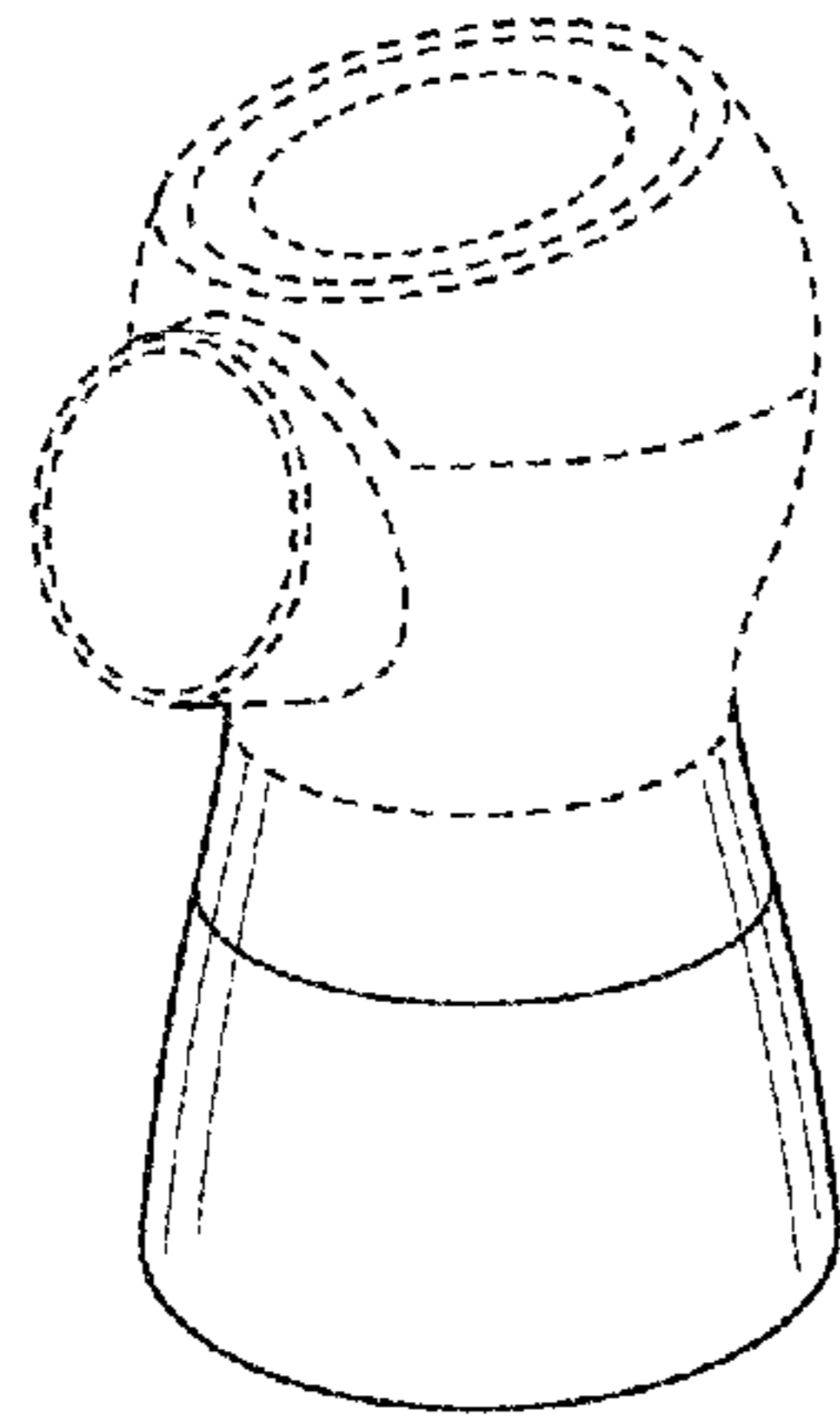


Fig. 2

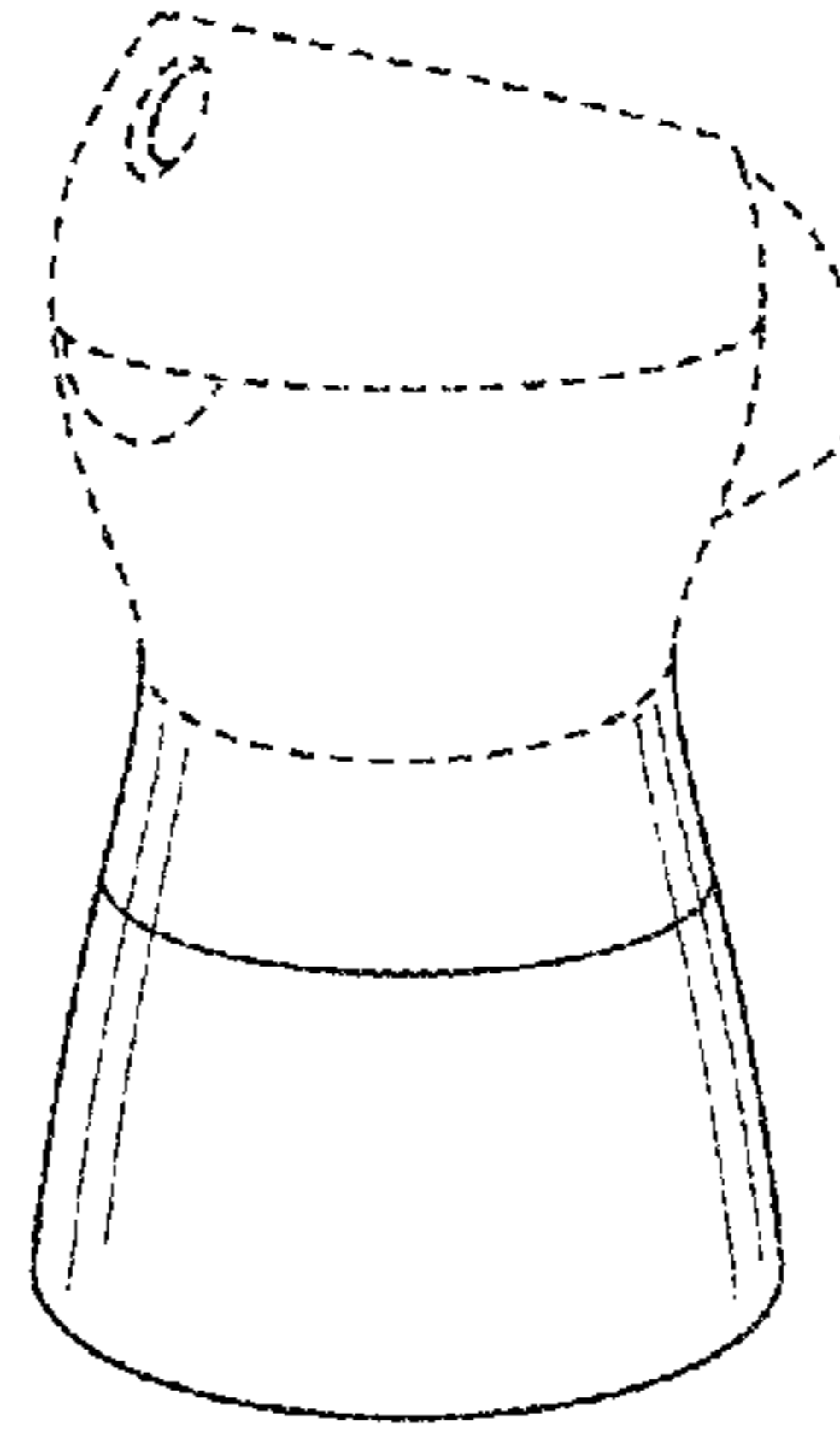


Fig. 6

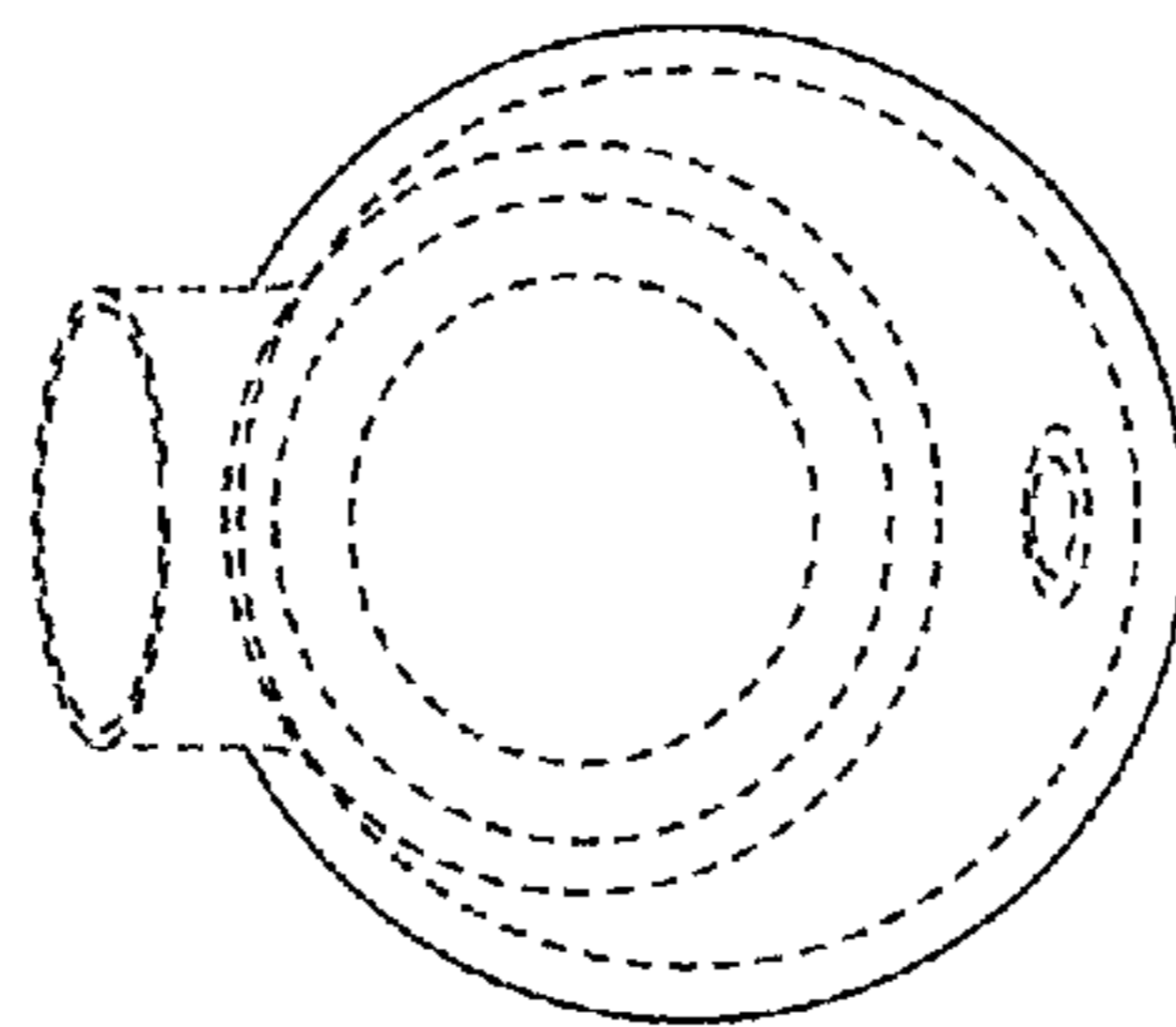


Fig. 3

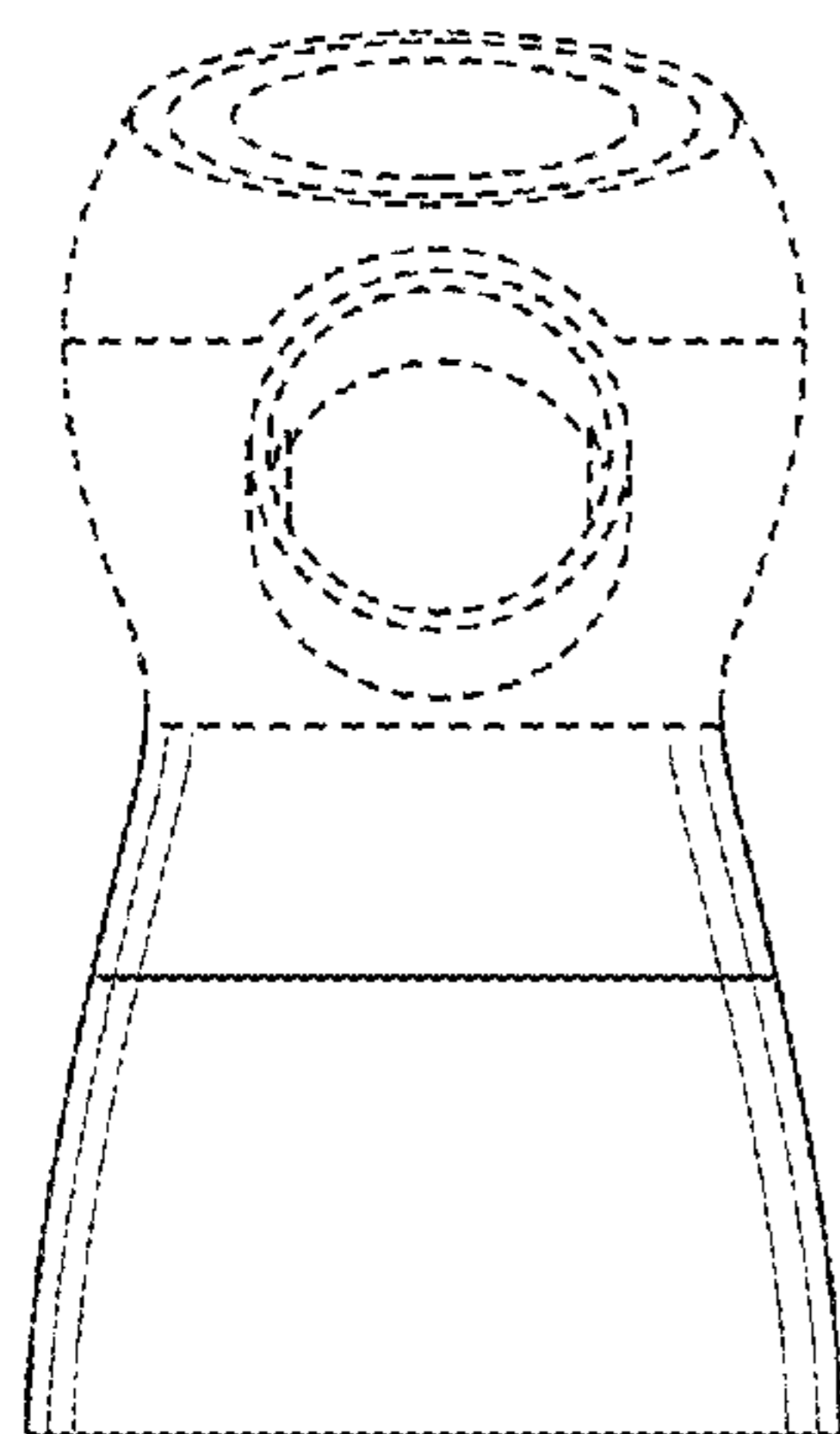


Fig. 4

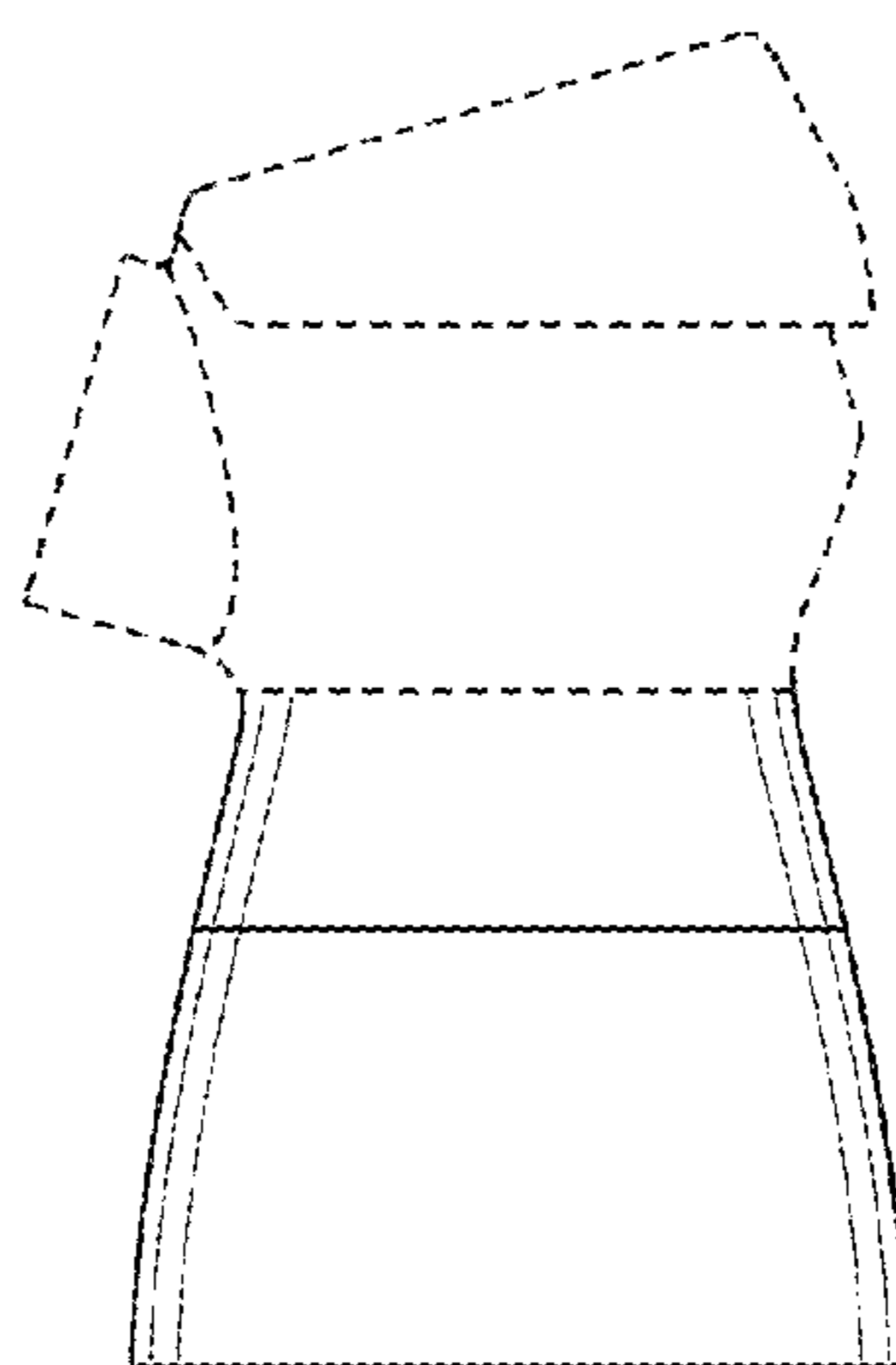


Fig. 5

