



US00D852348S

(12) **United States Design Patent**
Mecker et al.

(10) **Patent No.:** **US D852,348 S**
(45) **Date of Patent:** **** Jun. 25, 2019**

- (54) **DISPENSER**
- (71) Applicant: **S. C. Johnson & Son, Inc.**, Racine, WI (US)
- (72) Inventors: **Alex Mecker**, Chicago, IL (US); **Jason K. Stanbro**, Sturtevant, WI (US); **Gregory G. Pieper**, Spring Grove, IL (US)
- (73) Assignee: **S.C. JOHNSON & SON, INC.**, Racine, WI (US)

D486,213 S 2/2004 Novak
 D513,433 S 1/2006 Lemaire
 D520,130 S 5/2006 Miro
 D525,352 S 7/2006 Lemaire
 (Continued)

FOREIGN PATENT DOCUMENTS

EM 001292627-0001 9/2011
 EM 002005181-0001 3/2012
 (Continued)

OTHER PUBLICATIONS

Glade® PlugIns® Car [Jan. 2, 2019] found online [Jan. 2, 2019]—
https://www.glade.com/en/products/car/plugins-car.*

Primary Examiner — Lakiya G Rogers
Assistant Examiner — John A Voytek
 (74) *Attorney, Agent, or Firm* — Quarles & Brady LLP

- (**) Term: **15 Years**
- (21) Appl. No.: **29/656,399**
- (22) Filed: **Jul. 12, 2018**

Related U.S. Application Data

- (63) Continuation of application No. 29/580,381, filed on Oct. 7, 2016, now Pat. No. Des. 831,183.
- (51) **LOC (11) Cl.** **28-99**
- (52) **U.S. Cl.**
USPC **D23/366**
- (58) **Field of Classification Search**
USPC D23/314, 325, 333–336, 355–367,
D23/386–388; D9/434, 439, 444, 445,
D9/447, 452–454; D14/209, 215, 216
CPC . A61L 9/03; A61L 9/012; A61L 9/015; A61L
9/037; F41J 1/01
See application file for complete search history.

(57) **CLAIM**

The ornamental design for a dispenser, as shown and described.

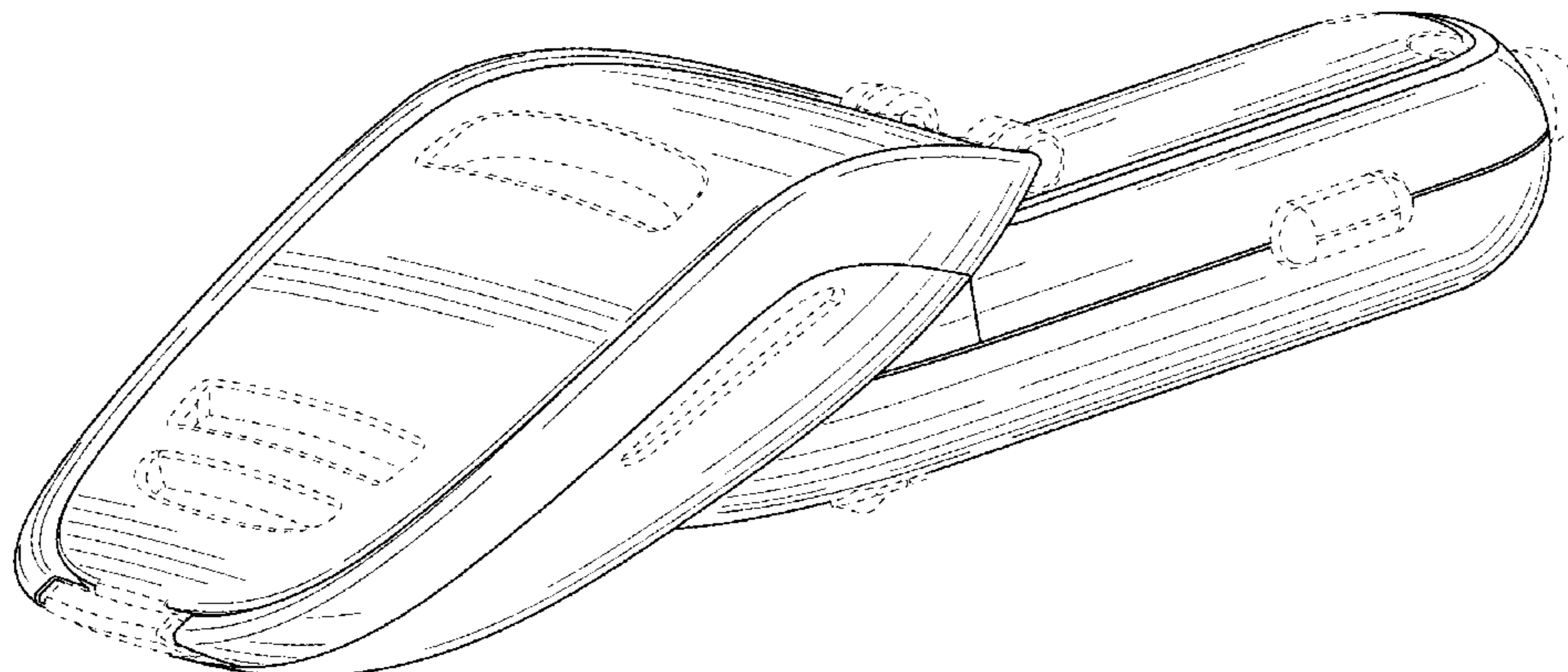
DESCRIPTION

FIG. 1 is an isometric view of a top, front, and right side of an ornamental design for a dispenser;
 FIG. 2 is a front elevational view of the dispenser of FIG. 1;
 FIG. 3 is a rear elevational view of the dispenser of FIG. 1;
 FIG. 4 is a right side elevational view of the dispenser of FIG. 1;
 FIG. 5 is a left side elevational view of the dispenser of FIG. 1;
 FIG. 6 is a top plan view of the dispenser of FIG. 1; and,
 FIG. 7 is a bottom plan view of the dispenser of FIG. 1.
 The dash-dash-dash broken lines are included for the purpose of illustrating portions of the dispenser that form no part of the claimed design.

- (56) **References Cited**
U.S. PATENT DOCUMENTS

D304,299 S 10/1989 Sakamoto
 D315,202 S 3/1991 Kunze
 D336,034 S 6/1993 Rebilas
 D407,640 S 4/1999 Nelson et al.
 D445,674 S 7/2001 Pritchett
 D469,348 S 1/2003 Demus et al.

1 Claim, 4 Drawing Sheets



(56)

References Cited

U.S. PATENT DOCUMENTS

D532,893 S 11/2006 Wu
 D535,734 S 1/2007 Caserta et al.
 D547,852 S 7/2007 Wu
 D556,603 S 12/2007 Barnes et al.
 D557,396 S 12/2007 Cheng
 D564,650 S 3/2008 Hasik et al.
 D586,900 S 2/2009 Weggelaar
 D620,809 S 8/2010 Caldwell et al.
 D621,021 S * 8/2010 Koenig D23/368
 D623,073 S 9/2010 Caldwell et al.
 D625,797 S 10/2010 Poves et al.
 D628,285 S 11/2010 Fabregas et al.
 D629,500 S 12/2010 Koenig et al.
 D631,954 S 2/2011 Bertassi et al.
 D632,566 S 2/2011 Caldwell et al.
 D632,569 S 2/2011 Caldwell et al.
 D634,643 S 3/2011 Caldwell et al.
 D648,018 S 11/2011 Sordo
 D663,816 S 7/2012 Tebe Poves et al.
 D680,208 S 4/2013 Gordon
 D680,882 S 4/2013 Logue
 D685,076 S 6/2013 Gordon
 D686,922 S 7/2013 Davis et al.
 D692,549 S * 10/2013 Wirz D23/366
 D694,382 S 11/2013 Brandenburg et al.
 D696,762 S * 12/2013 Lin D23/366
 D698,431 S 1/2014 Garbusi et al.
 D706,644 S 6/2014 Ruiz, Sr. et al.
 D709,172 S * 7/2014 Brandenburg D23/366

D729,368 S * 5/2015 Markwick D23/366
 D794,765 S * 8/2017 Brandenburg D23/366
 D804,003 S * 11/2017 Zhao D23/364
 D816,201 S * 4/2018 Goddard D23/366
 D819,798 S * 6/2018 Hwang D23/364
 D826,390 S * 8/2018 Brandenburg D23/366
 D831,183 S * 10/2018 Mecker D23/366

FOREIGN PATENT DOCUMENTS

EM 002678821-0021 4/2015
 EM 002678821-0022 4/2015
 EM 003814508-0001 3/2017
 EM 003814508-0002 3/2017
 EM 003814508-0003 3/2017
 EM 003847151-0001 4/2017
 EM 003847151-0002 4/2017
 EM 003847151-0003 4/2017
 EM 003847151-0004 4/2017
 EM 003847151-0005 4/2017
 EM 003847151-0006 4/2017
 EM 003847151-0007 4/2017
 EM 003847151-0008 4/2017
 EM 003847177-0001 4/2017
 EM 003847177-0002 4/2017
 EM 003847177-0003 4/2017
 EM 003847177-0004 4/2017
 EM 003847177-0005 4/2017
 EM 003847177-0006 4/2017
 EM 003847177-0007 4/2017
 EM 003847177-0008 4/2017

* cited by examiner

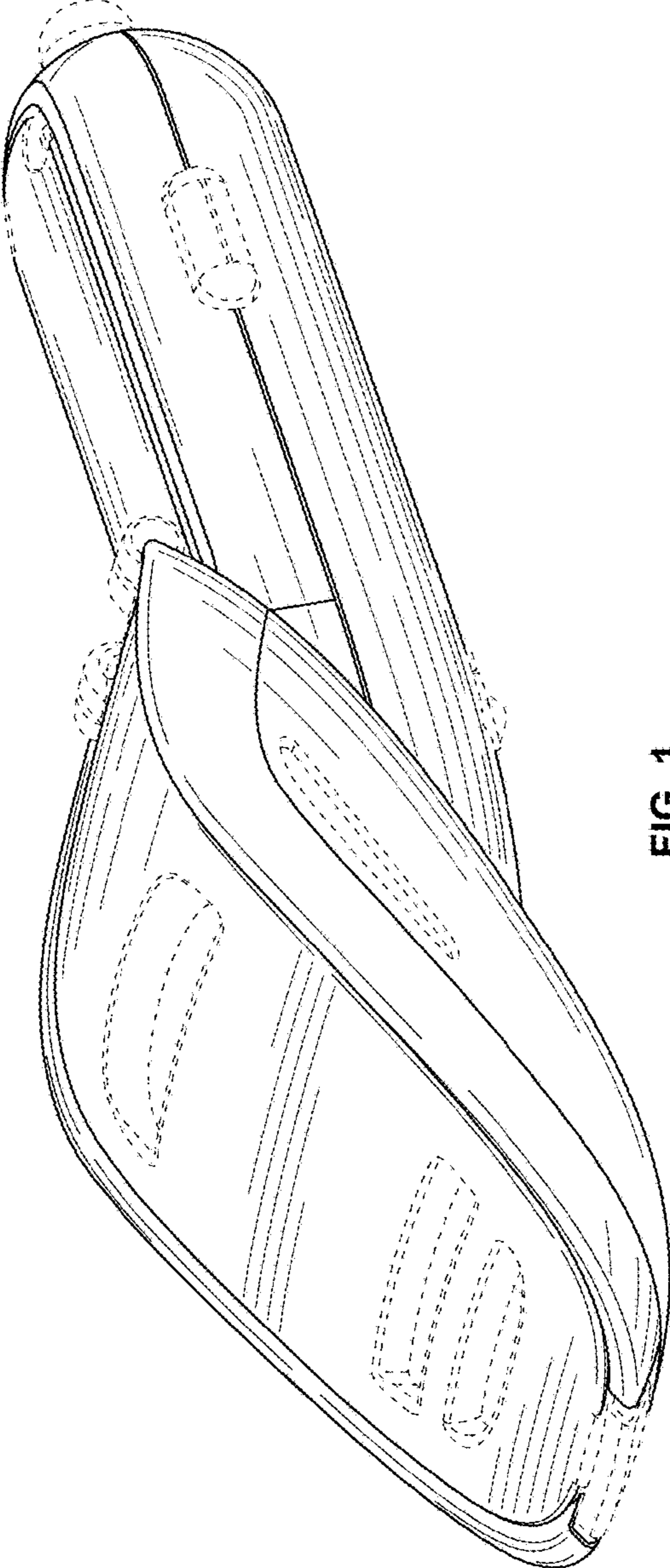


FIG. 1

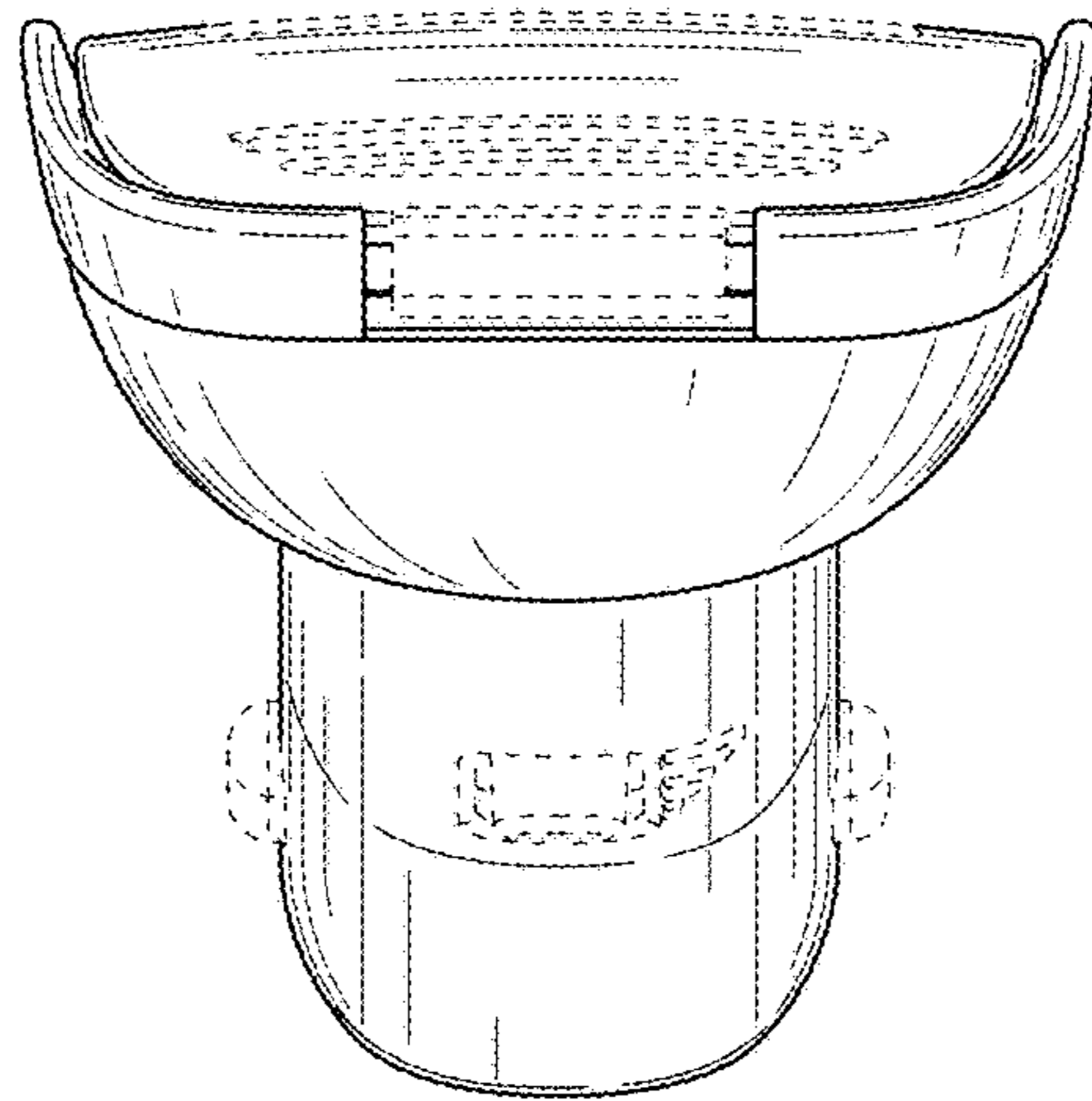


FIG. 2

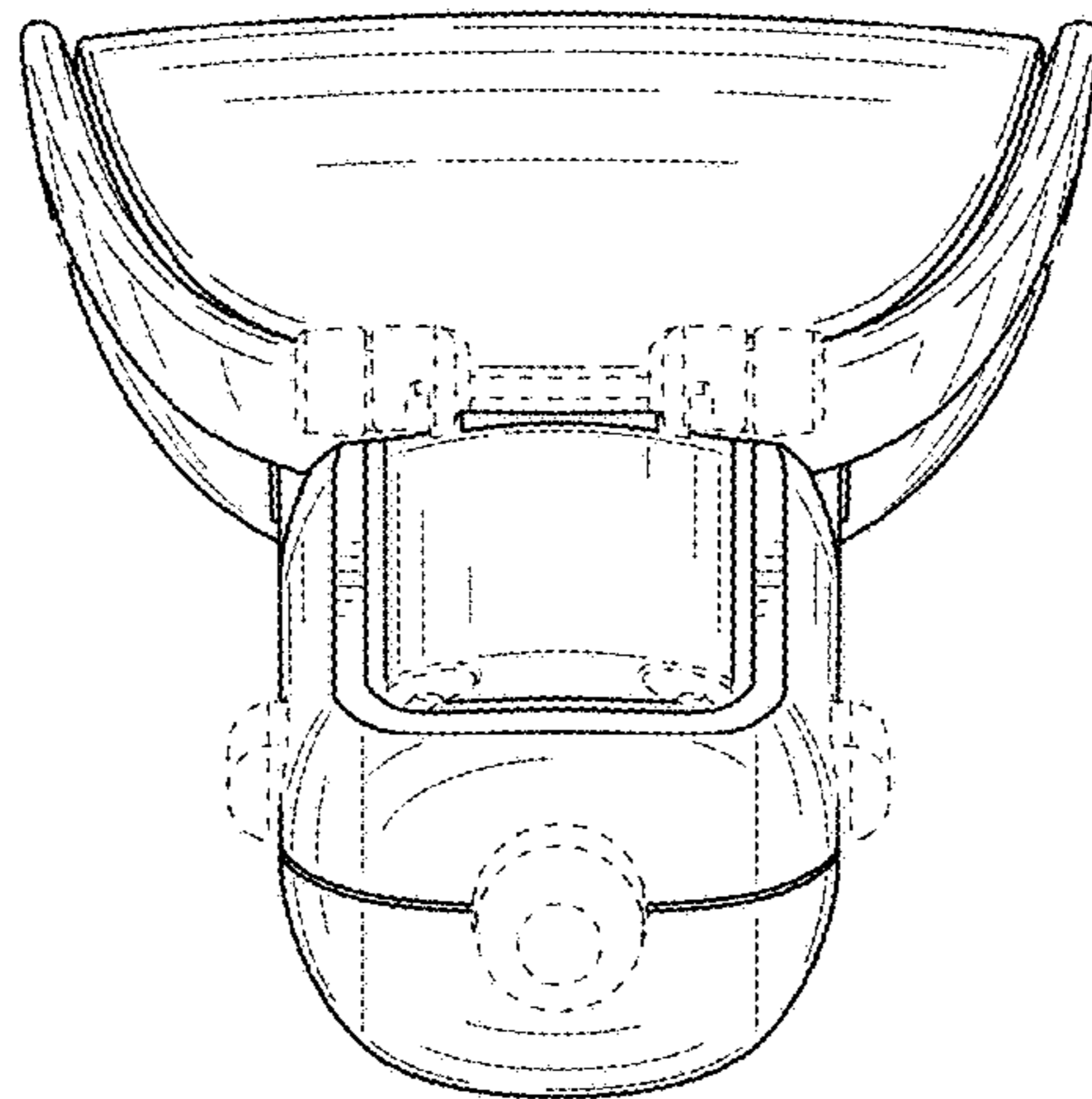


FIG. 3

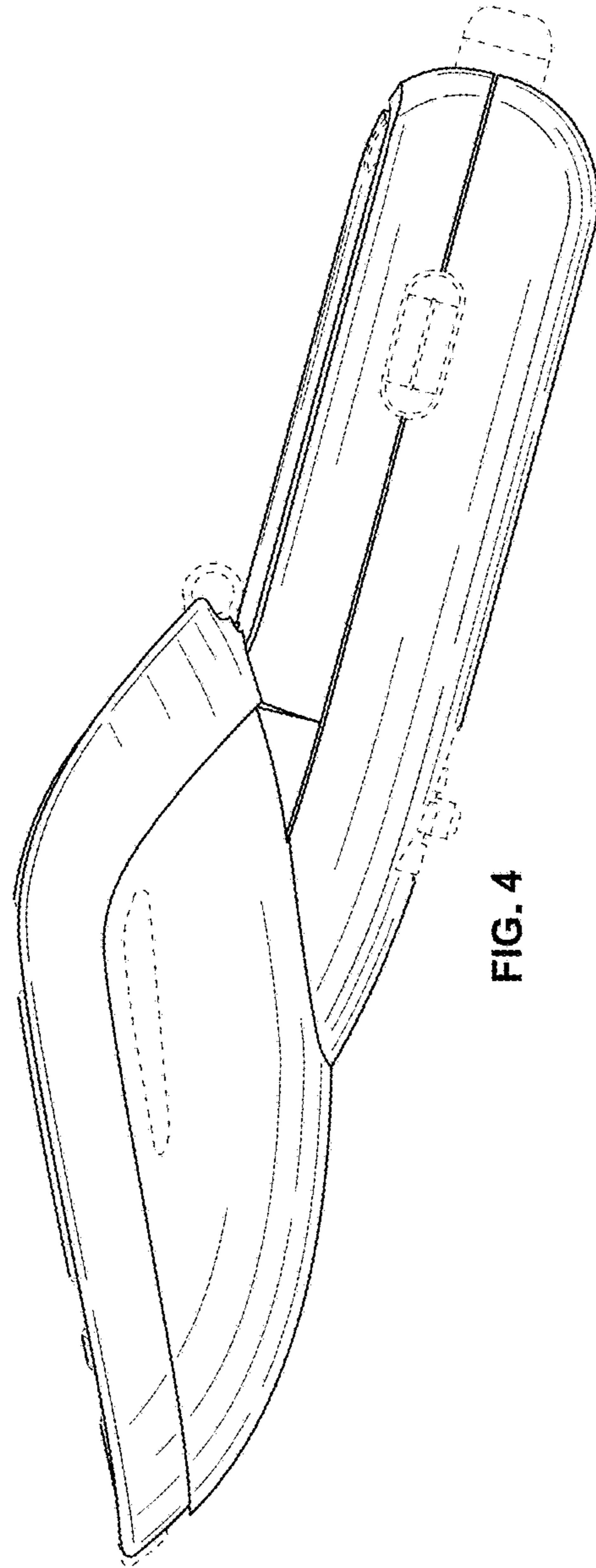


FIG. 4

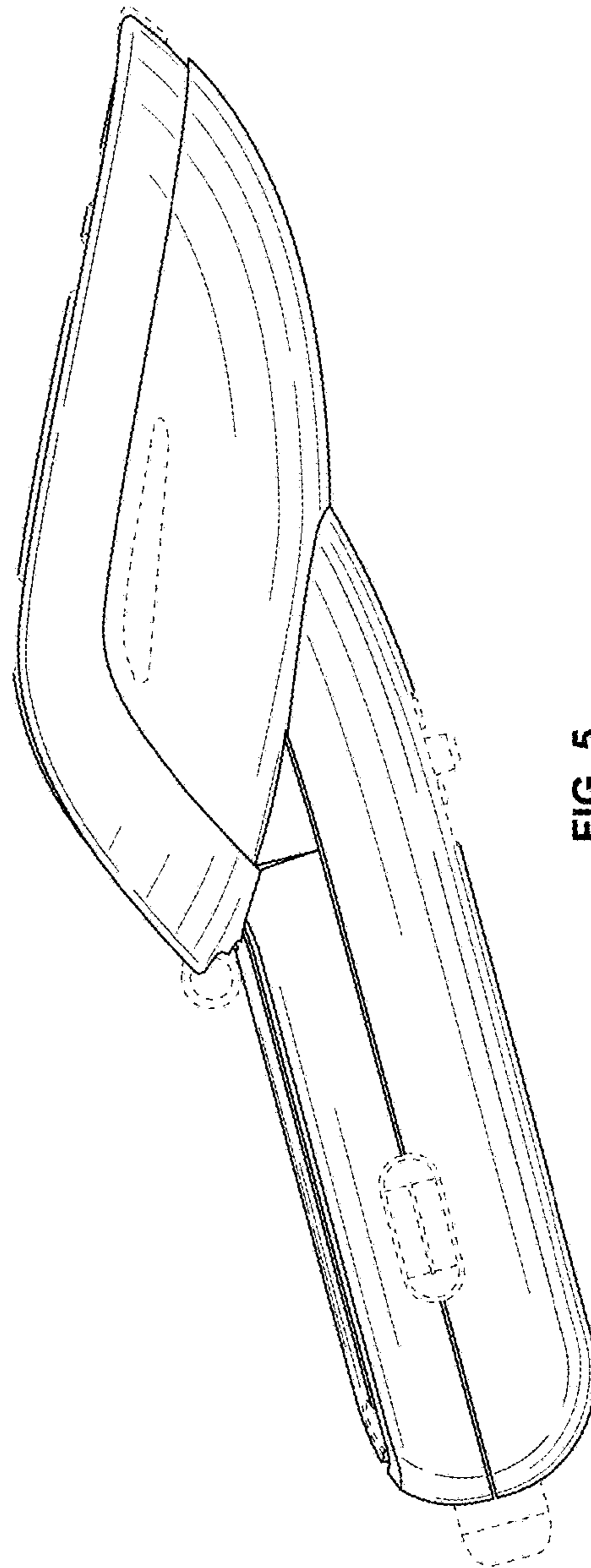


FIG. 5

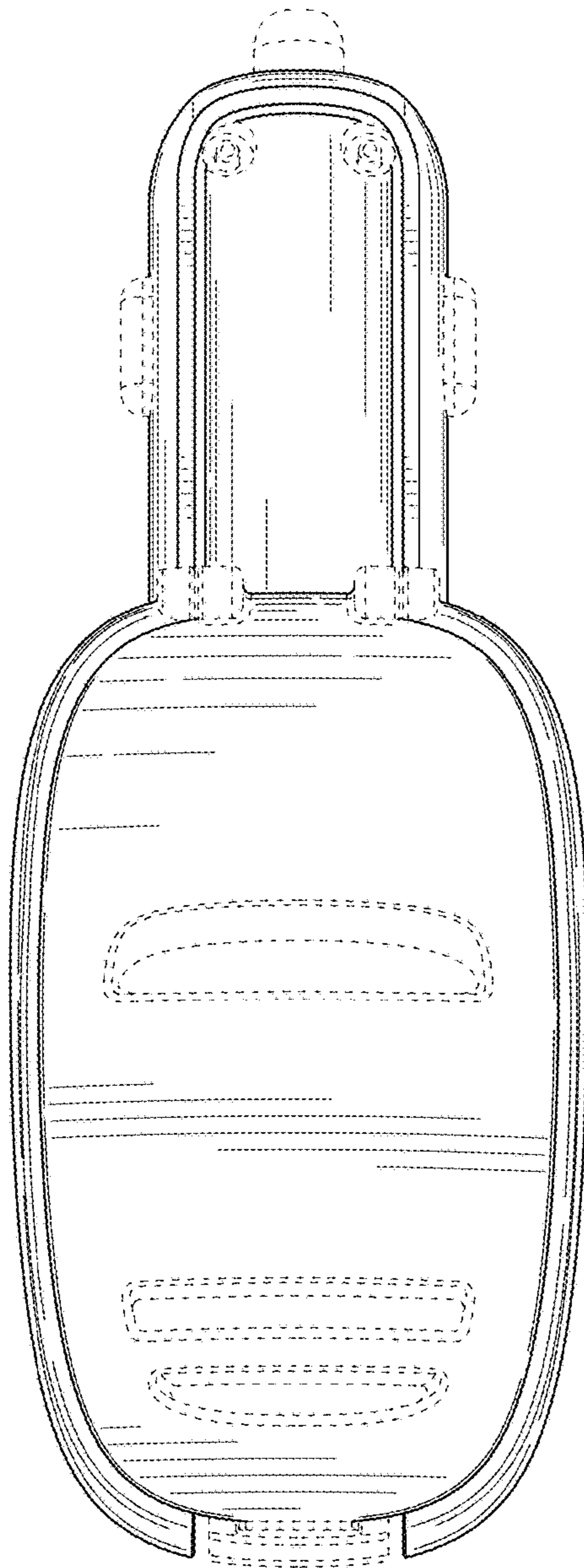


FIG. 6

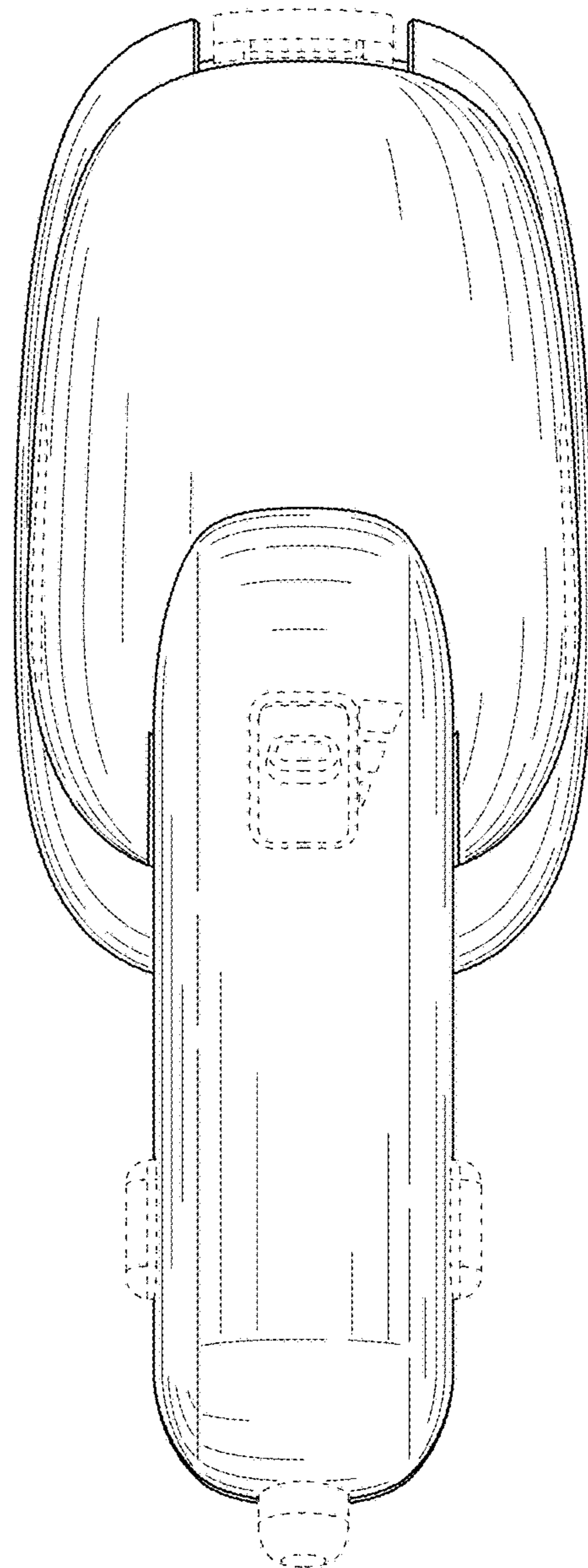


FIG. 7