



US00D852347S

(12) **United States Design Patent**  
**Cunningham**

(10) **Patent No.:** **US D852,347 S**  
(45) **Date of Patent:** **\*\* Jun. 25, 2019**

- (54) **ODOR NEUTRALIZER FOR AIR CONDITIONER**
- (71) Applicant: **James Cunningham**, Long Beach Township, NJ (US)
- (72) Inventor: **James Cunningham**, Long Beach Township, NJ (US)
- (73) Assignee: **Clenair Manufacturing, Inc.**, Feasterville, PA (US)
- (\*\*) Term: **15 Years**
- (21) Appl. No.: **29/645,882**

- (22) Filed: **Apr. 30, 2018**
- (51) **LOC (11) Cl.** ..... **23-99**
- (52) **U.S. Cl.**  
USPC ..... **D23/366**
- (58) **Field of Classification Search**  
USPC ..... D23/355-369; D28/5, 6; 261/DIG. 17, 261/DIG. 42, DIG. 47, DIG. 55, DIG. 65, 261/DIG. 70, DIG. 88, DIG. 89; 392/386, 392/389, 394, 395, 403; 239/34, 44, 45, 239/53, 56  
CPC ..... A61L 9/00; A61L 9/02; A61L 9/03; A61L 9/034; A61L 9/04; A61L 9/12; A61L 9/032; A61L 9/122; A61L 9/127; A61L 9/22; B01D 46/00; B01D 46/0002; B01D 46/20; F02M 35/04; F24F 13/20; A62B 21/00  
See application file for complete search history.

(56) **References Cited**  
U.S. PATENT DOCUMENTS

- 2,767,018 A \* 10/1956 McDonald ..... F24F 3/1411 239/34
- D254,145 S \* 2/1980 Wilcock ..... D23/209
- D265,227 S \* 6/1982 Jolley ..... D23/207
- D303,021 S \* 8/1989 Reichmann ..... D28/5

- D319,287 S \* 8/1991 Baumstark ..... D23/207
- D325,965 S \* 5/1992 Donley ..... D23/368
- D338,519 S \* 8/1993 Peterson ..... D23/356
- D347,635 S \* 6/1994 van Wijnen ..... D14/140
- D357,058 S \* 4/1995 Engelhard ..... D23/207
- D360,027 S \* 7/1995 Psaros ..... D23/359
- D361,823 S \* 8/1995 Layton ..... D23/200
- D408,493 S \* 4/1999 Yeiser ..... D23/207
- D441,421 S \* 5/2001 Aldred ..... D23/209
- D547,825 S \* 7/2007 Kennedy ..... D23/207
- D547,825 S \* 7/2007 Kennedy ..... D23/209
- D561,299 S \* 2/2008 Baba ..... D23/209
- D571,433 S \* 6/2008 Koteskey ..... D23/209
- D717,397 S \* 11/2014 Hammarback ..... D23/209
- D735,312 S \* 7/2015 Horiguchi ..... D23/365
- D741,449 S \* 10/2015 Washburn ..... D23/207
- 9,155,811 B1 \* 10/2015 Haymond ..... A61L 9/12

(Continued)

**OTHER PUBLICATIONS**

Clen Air website, mini fresh, Jul. 8, 2018, <http://www.clenair.com/products/minifresh> (Year: 2018).\*

*Primary Examiner* — David G Muller  
*Assistant Examiner* — Nathan M Johnston  
(74) *Attorney, Agent, or Firm* — Howson & Howson LLP

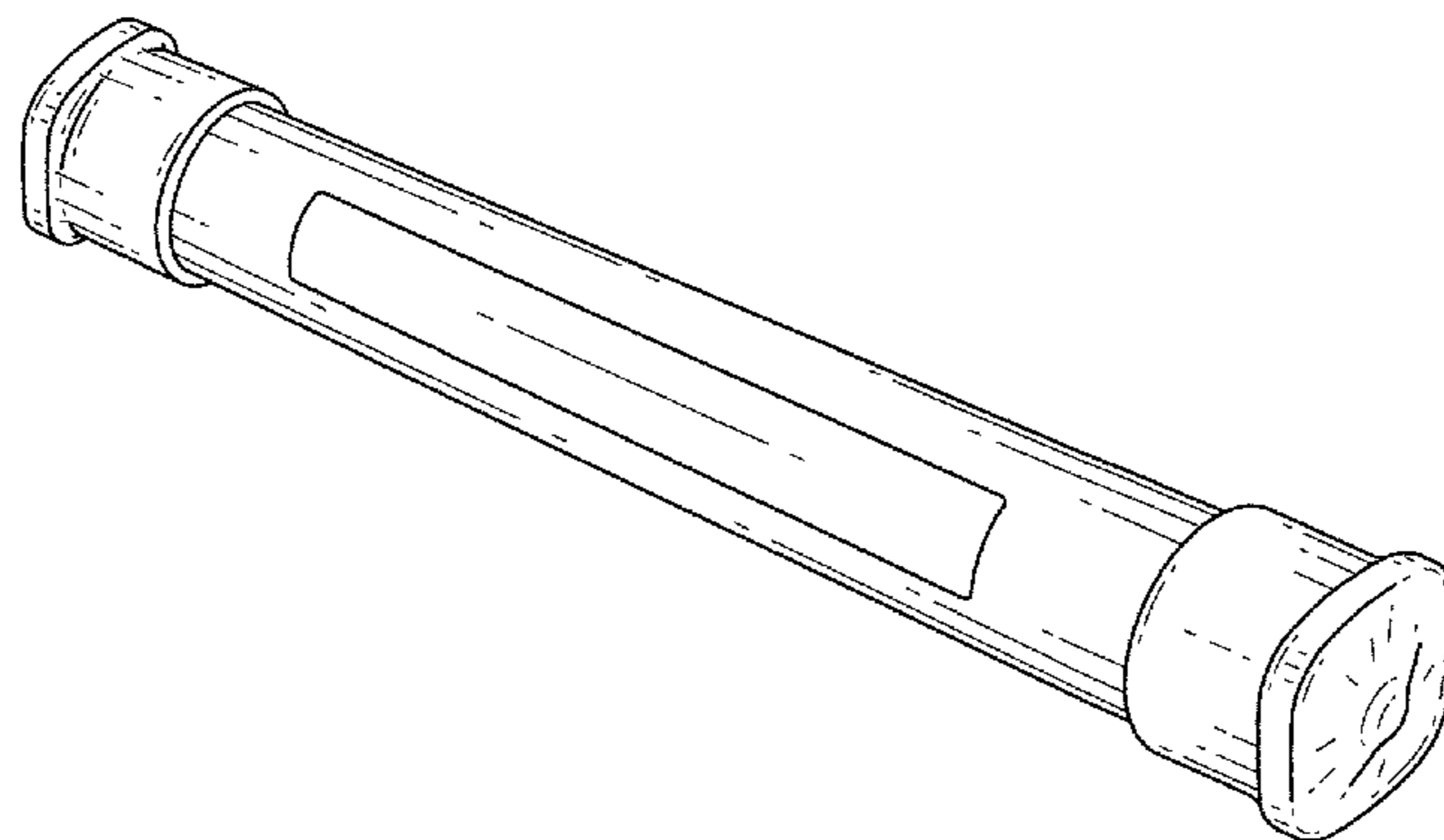
(57) **CLAIM**

The ornamental design for an odor neutralizer for an air conditioner, as shown and described.

**DESCRIPTION**

FIG. 1 is a perspective view of an odor neutralizer for an air conditioner, showing my new design;  
FIG. 2 is top plan view thereof;  
FIG. 3 is a front elevational view thereof;  
FIG. 4 is a rear elevational view thereof; and,  
FIG. 5 is right side elevational view thereof.  
The bottom plan view is a mirror image of the top plan view, and the left side elevational view is a mirror image of the right side elevational view.

**1 Claim, 2 Drawing Sheets**



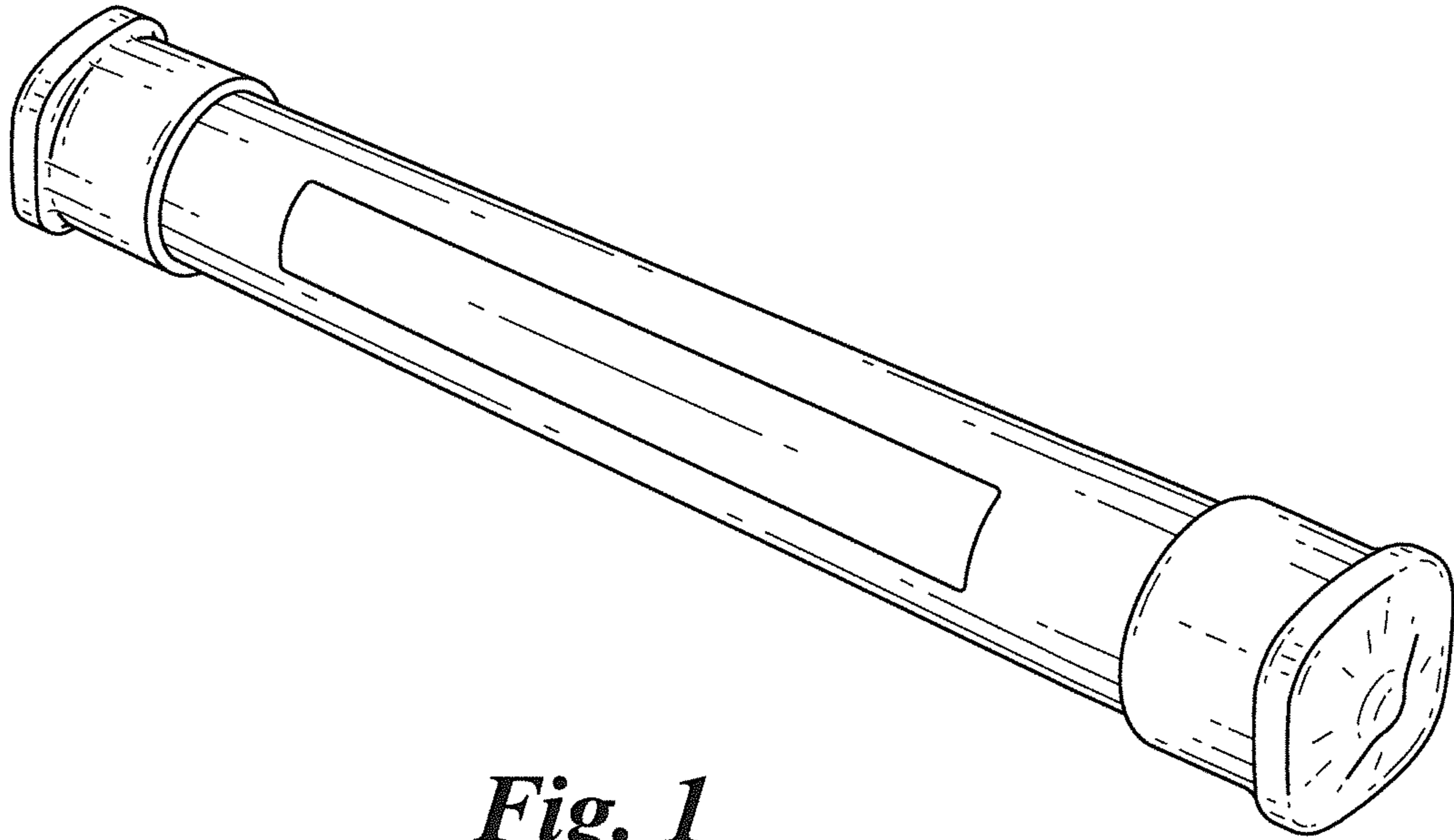
(56)

**References Cited**

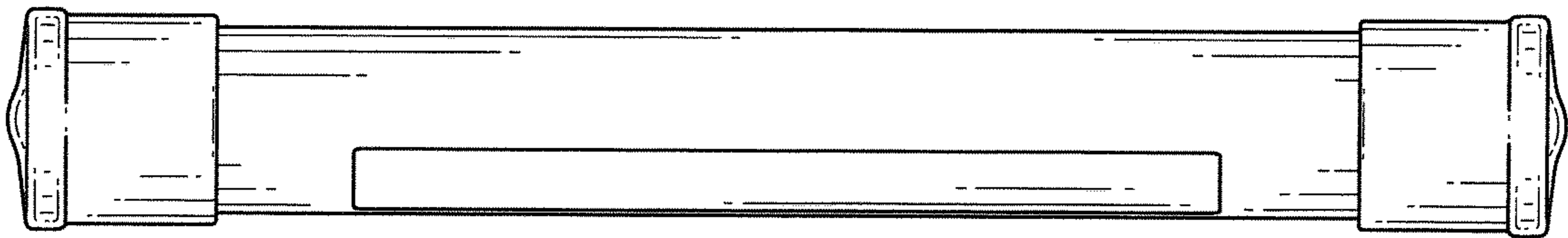
U.S. PATENT DOCUMENTS

D755,345 S	*	5/2016	Luthi .....	D23/209
D767,712 S	*	9/2016	Huda .....	D23/207
D791,271 S	*	7/2017	Barlow .....	B01D 61/145
				D23/207
D802,727 S	*	11/2017	Cabrera .....	D23/366
2012/0118993 A1	*	5/2012	Colosio .....	A61L 9/037
				239/34

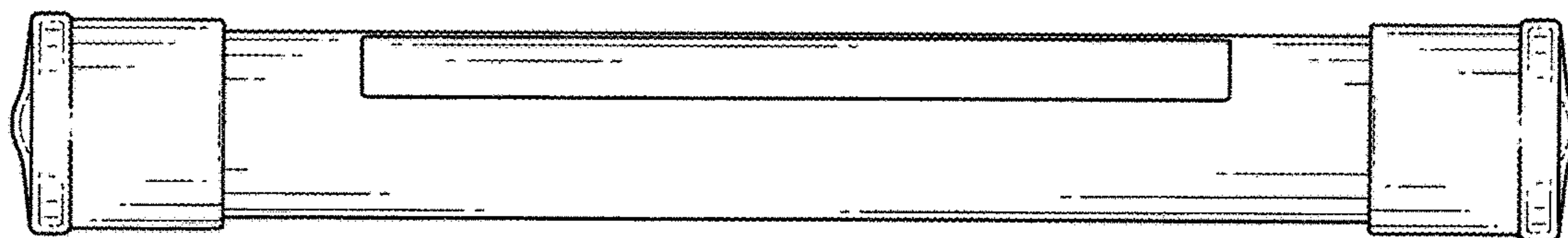
\* cited by examiner



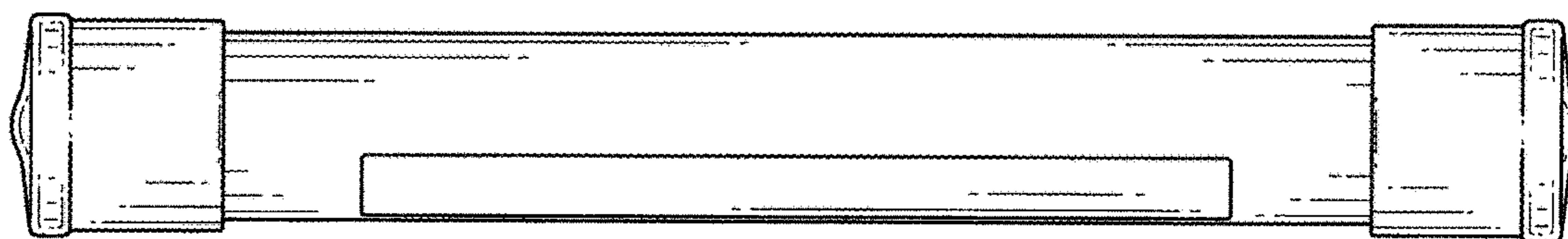
*Fig. 1*



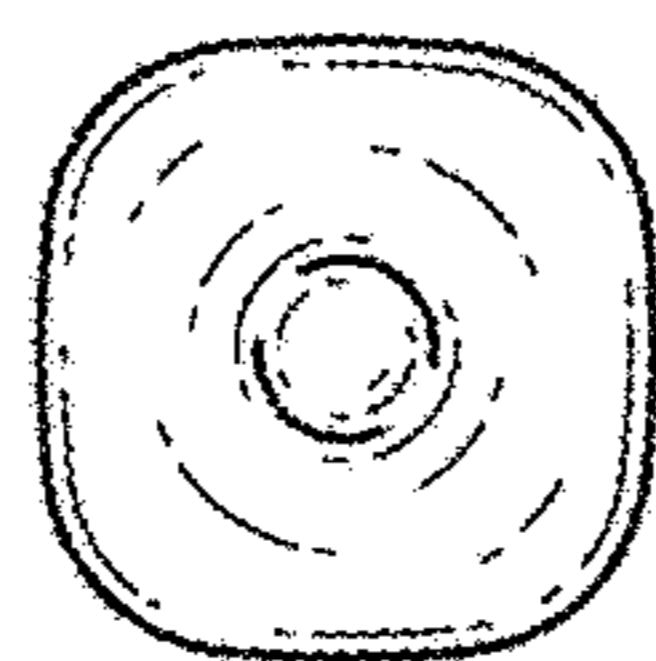
*Fig. 2*



*Fig. 3*



*Fig. 4*



*Fig. 5*