



US00D852345S

(12) **United States Design Patent**
Stanhope et al.

(10) **Patent No.:** **US D852,345 S**

(45) **Date of Patent:** **** Jun. 25, 2019**

- (54) **FILTER**
- (71) Applicant: **Champion Laboratories, Inc.**, Albion, IL (US)
- (72) Inventors: **Kent Stanhope**, Albion, IL (US); **John Simms**, Albion, IL (US)
- (73) Assignee: **Champion Laboratories, Inc.**, Albion, IL (US)
- (**) Term: **15 Years**
- (21) Appl. No.: **29/599,929**
- (22) Filed: **Apr. 7, 2017**
- (51) **LOC (11) Cl.** **23-04**
- (52) **U.S. Cl.**
USPC **D23/365**
- (58) **Field of Classification Search**
USPC D23/209, 341, 358, 363-365; D15/5
CPC F02M 35/04; F02M 35/10; F02M 35/024;
B01D 46/0002; B01D 46/10
See application file for complete search history.

7,753,982	B2 *	7/2010	Merritt	B01D 46/0004	442/36
8,048,187	B2 *	11/2011	Merritt	B01D 46/0001	55/498
8,088,190	B2 *	1/2012	Patel	B01D 46/0005	55/487
D690,407	S *	9/2013	Williams	D23/365	
D736,263	S *	8/2015	Schultz	D15/5	
D798,907	S *	10/2017	Krull	D15/5	
2009/0205302	A1 *	8/2009	Rieger	B01D 46/0002	55/498
2010/0252495	A1 *	10/2010	Reid	B01D 29/012	210/339
2018/0015406	A1 *	1/2018	Nelson	B01D 46/527	

* cited by examiner

Primary Examiner — Lakiya G Rogers

Assistant Examiner — John A Voytek

(74) *Attorney, Agent, or Firm* — Mark J. Nahnsen; Barnes & Thornburg LLP

(57) **CLAIM**

The ornamental design for a filter, as shown and described.

DESCRIPTION

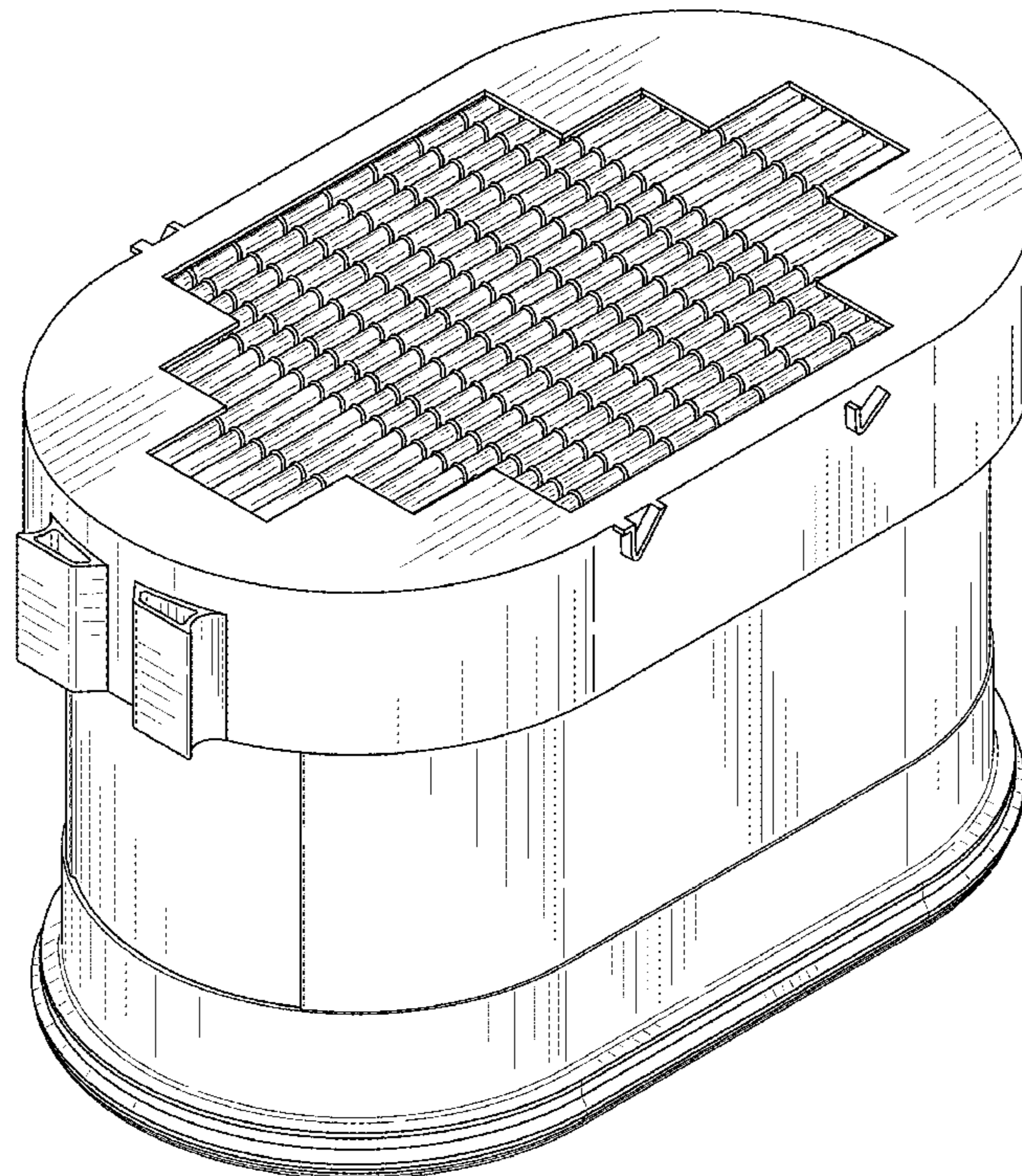
FIG. 1 is a front perspective view of a filter;
 FIG. 2 is a front view thereof;
 FIG. 3 is a rear view thereof;
 FIG. 4 is a right side view thereof;
 FIG. 5 is left side view thereof;
 FIG. 6 is a top view thereof; and,
 FIG. 7 is a bottom view thereof.

1 Claim, 4 Drawing Sheets

(56) **References Cited**

U.S. PATENT DOCUMENTS

D466,602	S *	12/2002	Gieseke	B01D 46/527	D23/365
D483,459	S *	12/2003	DeWit	D23/365	
D484,584	S *	12/2003	Anderson	D23/365	
D497,202	S *	10/2004	Carter	D15/5	



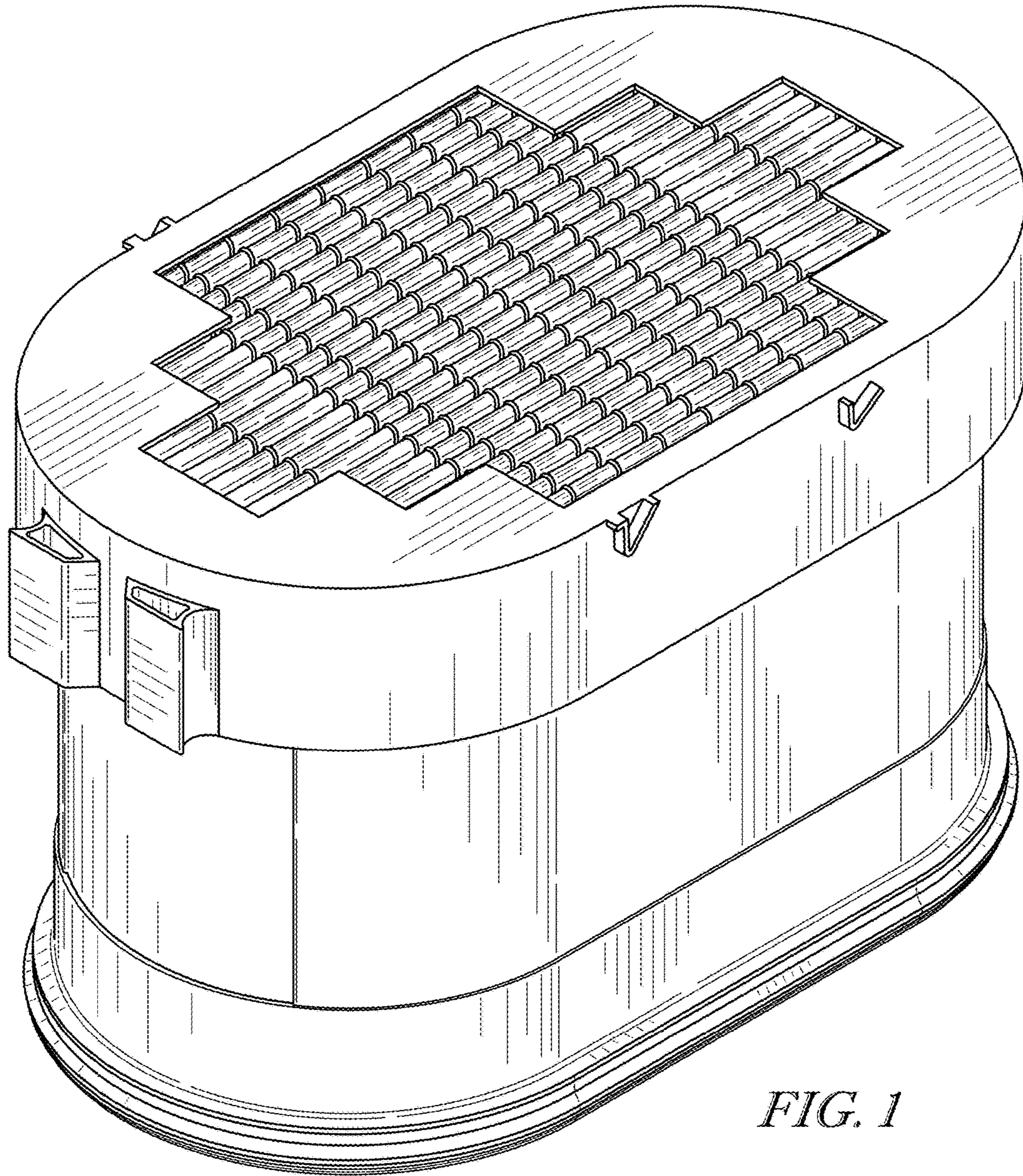


FIG. 1

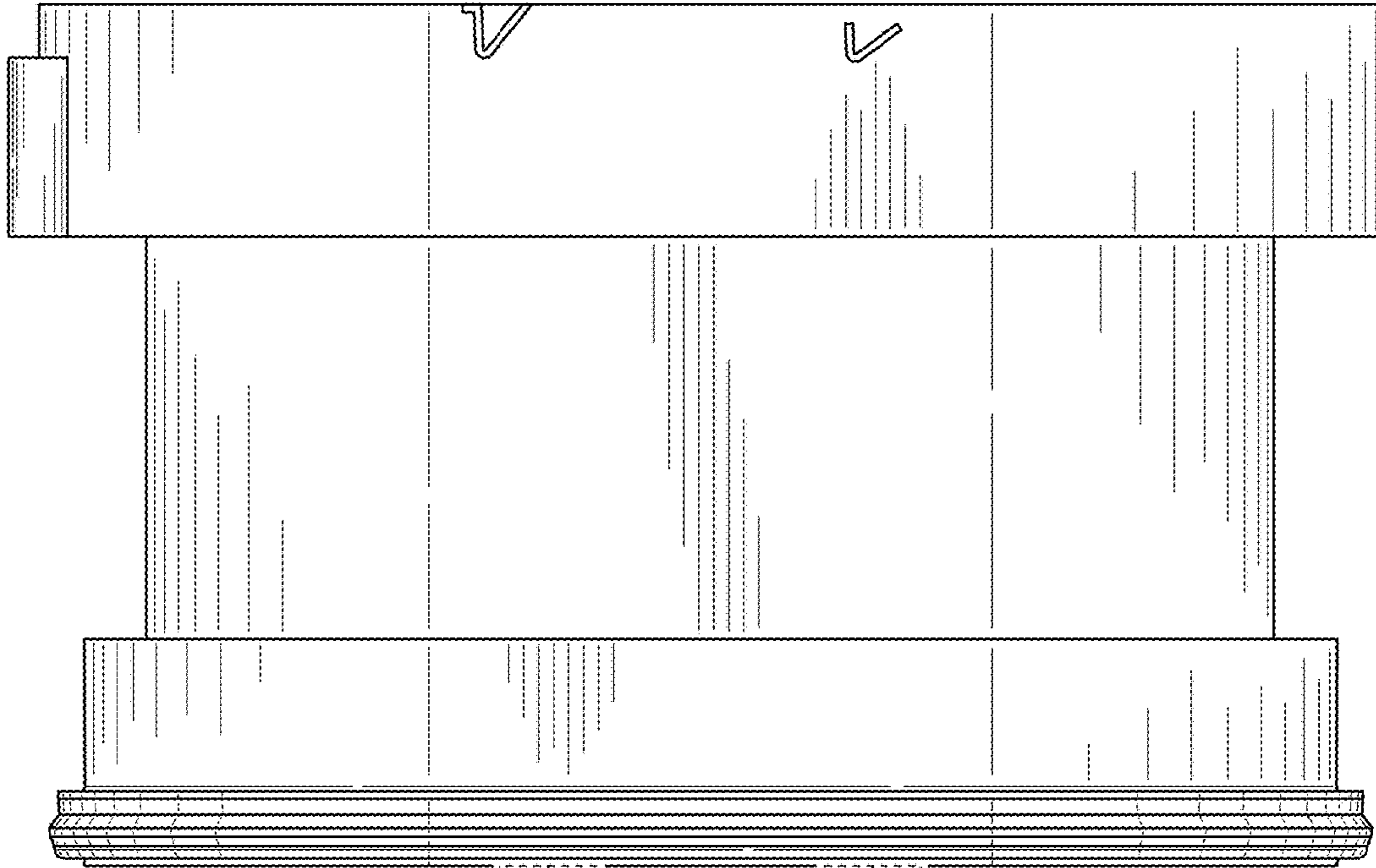


FIG. 2

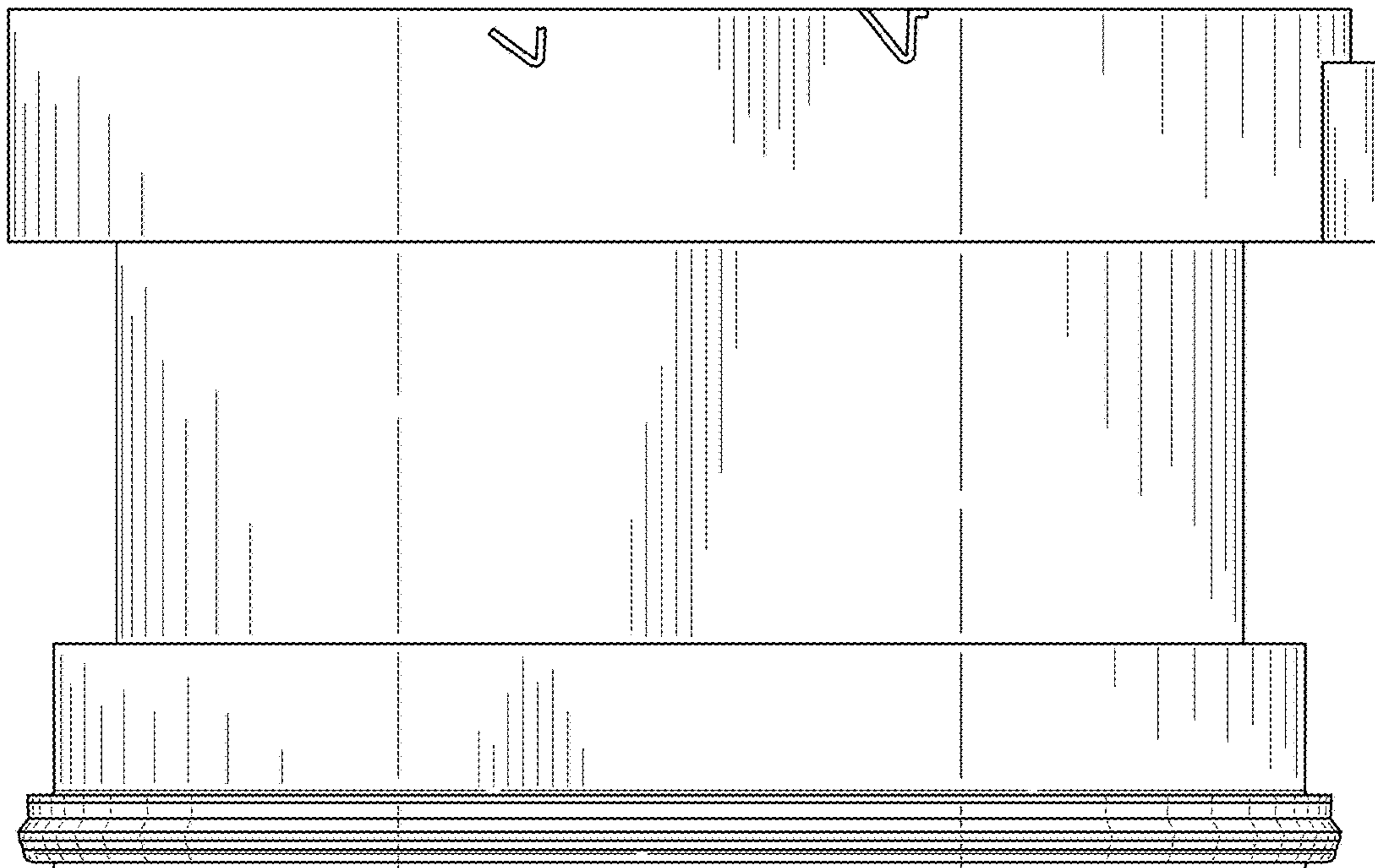


FIG. 3

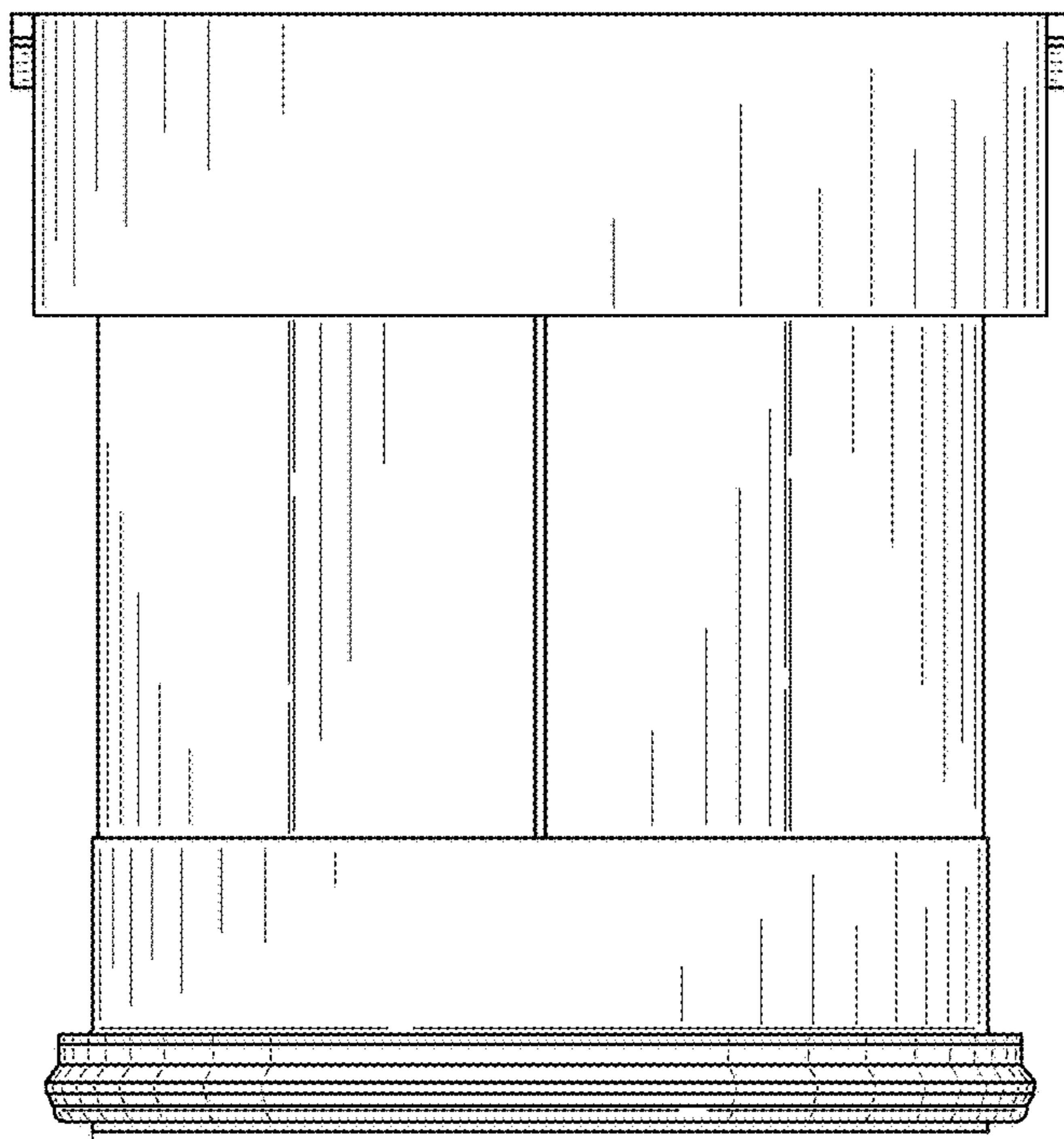


FIG. 4

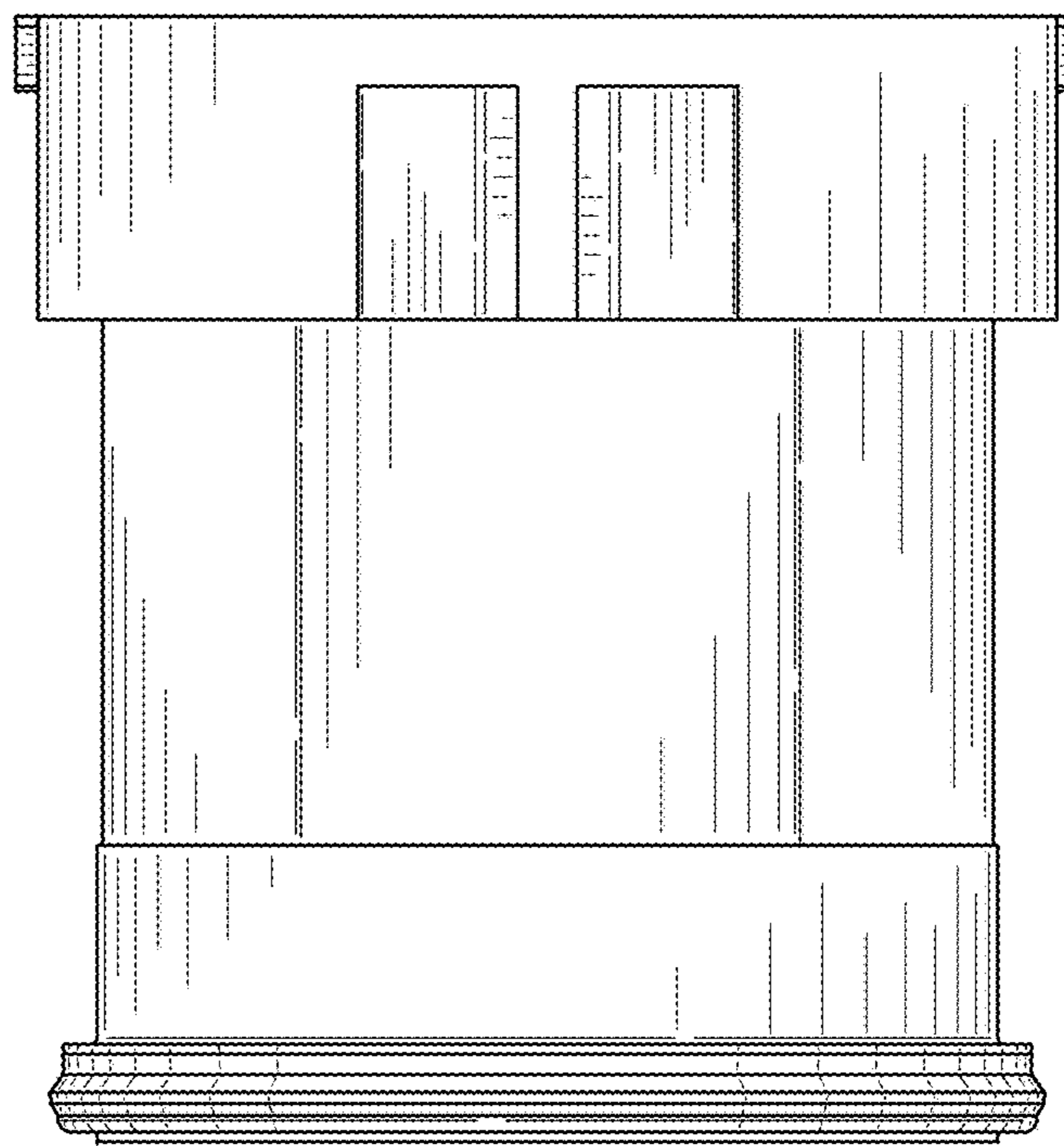


FIG. 5

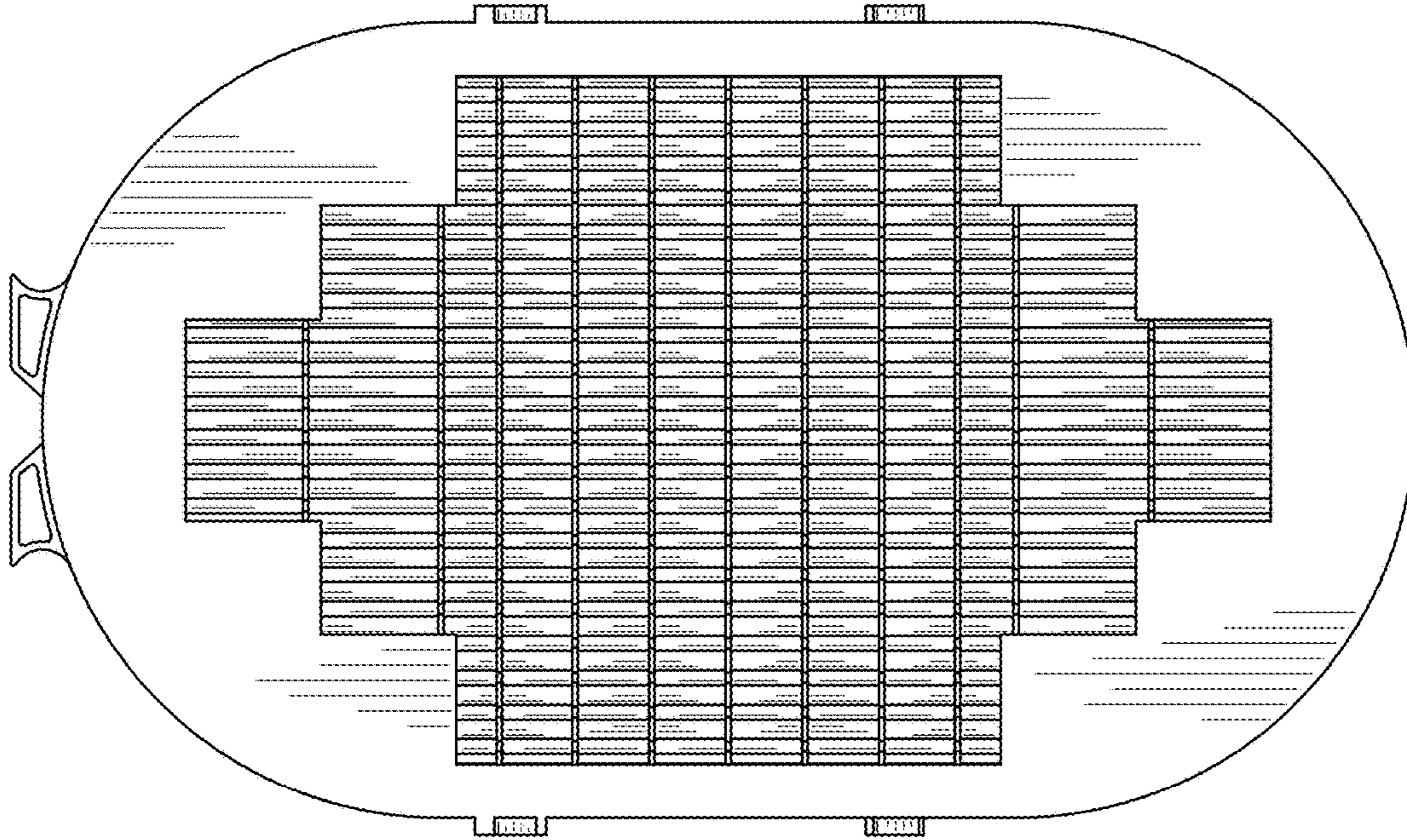


FIG. 6

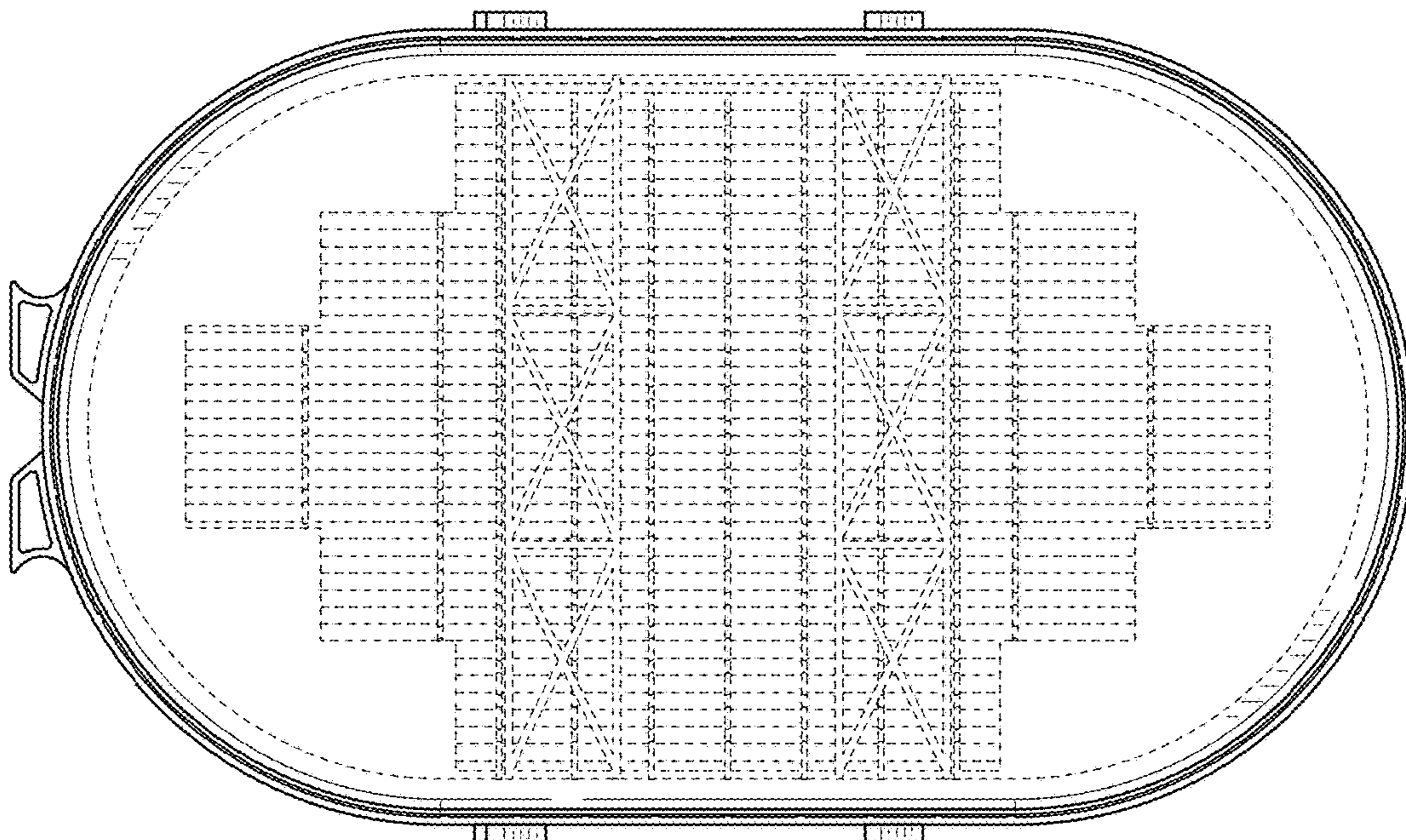


FIG. 7