



US00D852343S

(12) **United States Design Patent** (10) **Patent No.:** **US D852,343 S**
Kosuge et al. (45) **Date of Patent:** **** Jun. 25, 2019**

(54) **AIR CONDITIONER**

(71) Applicants: **Hiroyasu Kosuge**, Osaka (JP);
Alexander Schlag, Pforzheim (DE);
Michael Kuepper, Pforzheim (DE)

(72) Inventors: **Hiroyasu Kosuge**, Osaka (JP);
Alexander Schlag, Pforzheim (DE);
Michael Kuepper, Pforzheim (DE)

(73) Assignee: **DAIKIN INDUSTRIES LTD.**,
Osaka-Shi, Osaka-Fu (JP)

(**) Term: **15 Years**

(21) Appl. No.: **29/645,188**

(22) Filed: **Apr. 24, 2018**

(30) **Foreign Application Priority Data**

Oct. 27, 2017 (JP) 2017-024040

(51) **LOC (11) Cl.** **23-04**

(52) **U.S. Cl.**
USPC **D23/351**

(58) **Field of Classification Search**
USPC D23/333, 335, 341, 342, 351, 353, 354,
D23/355, 356, 359, 364, 365, 370, 385,
D23/386, 388, 393
CPC F24F 1/00; F24F 1/0007; F24F 1/02; F24F
1/08; F24F 1/42; F24F 1/56; F24F 1/60;
F24F 3/044; F24F 3/048; F24F 3/16;
F24F 7/00; F24F 7/04; F24F 12/001;
F24F 12/006
See application file for complete search history.

(56) **References Cited**

U.S. PATENT DOCUMENTS

D557,393 S * 12/2007 Yoo D23/351
D558,864 S * 1/2008 Yoo D23/351

D560,787 S * 1/2008 Yoo D23/351
D591,409 S * 4/2009 Kashimoto D23/351
D636,474 S * 4/2011 Choi D23/351
D641,852 S * 7/2011 Satou D23/351
D657,032 S * 4/2012 Chouji D23/351
D657,033 S * 4/2012 Chouji D23/351
D702,335 S * 4/2014 Saitou D23/351
D709,604 S * 7/2014 Qin D23/351
D726,295 S * 4/2015 Kim D23/351
D762,290 S * 7/2016 Jepson D23/342
D802,107 S * 11/2017 Schumann D23/330
D802,108 S * 11/2017 Birchler D23/351
D824,501 S * 7/2018 Long D23/351
D829,197 S * 9/2018 Barnum D14/240

* cited by examiner

Primary Examiner — George D. Kirschbaum

Assistant Examiner — Natasha Vujcic

(74) *Attorney, Agent, or Firm* — Manabu Kanesaka

(57) **CLAIM**

The ornamental design for air conditioner, as shown and described.

DESCRIPTION

FIG. 1 is a perspective view of an air conditioner showing our new design;
FIG. 2 is a front view thereof;
FIG. 3 is a rear view thereof;
FIG. 4 is a plan view thereof;
FIG. 5 is a bottom view thereof;
FIG. 6 is a left side view thereof;
FIG. 7 is a right side view thereof; and,
FIG. 8 is a perspective view of the usage state.

1 Claim, 3 Drawing Sheets

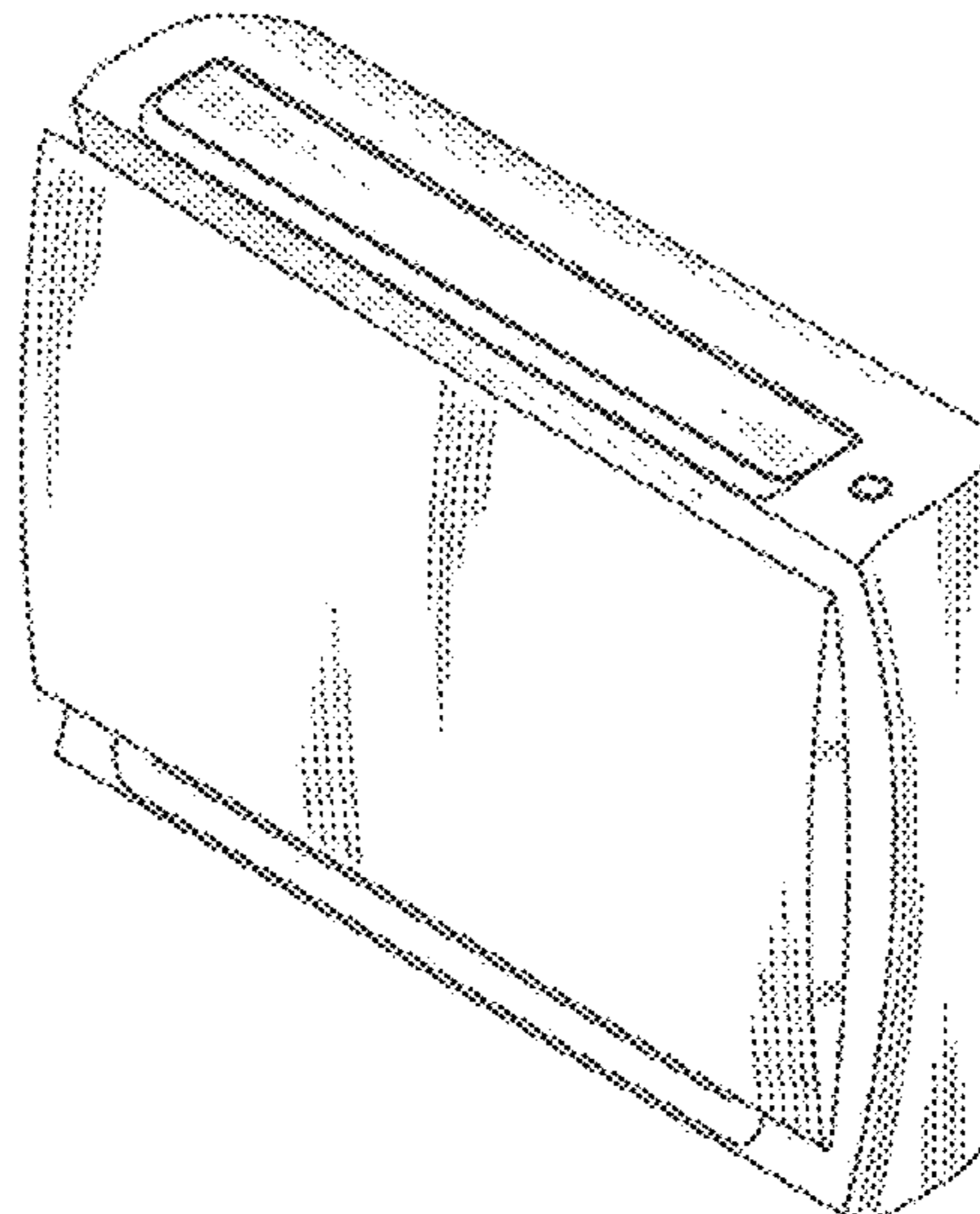


Fig. 1

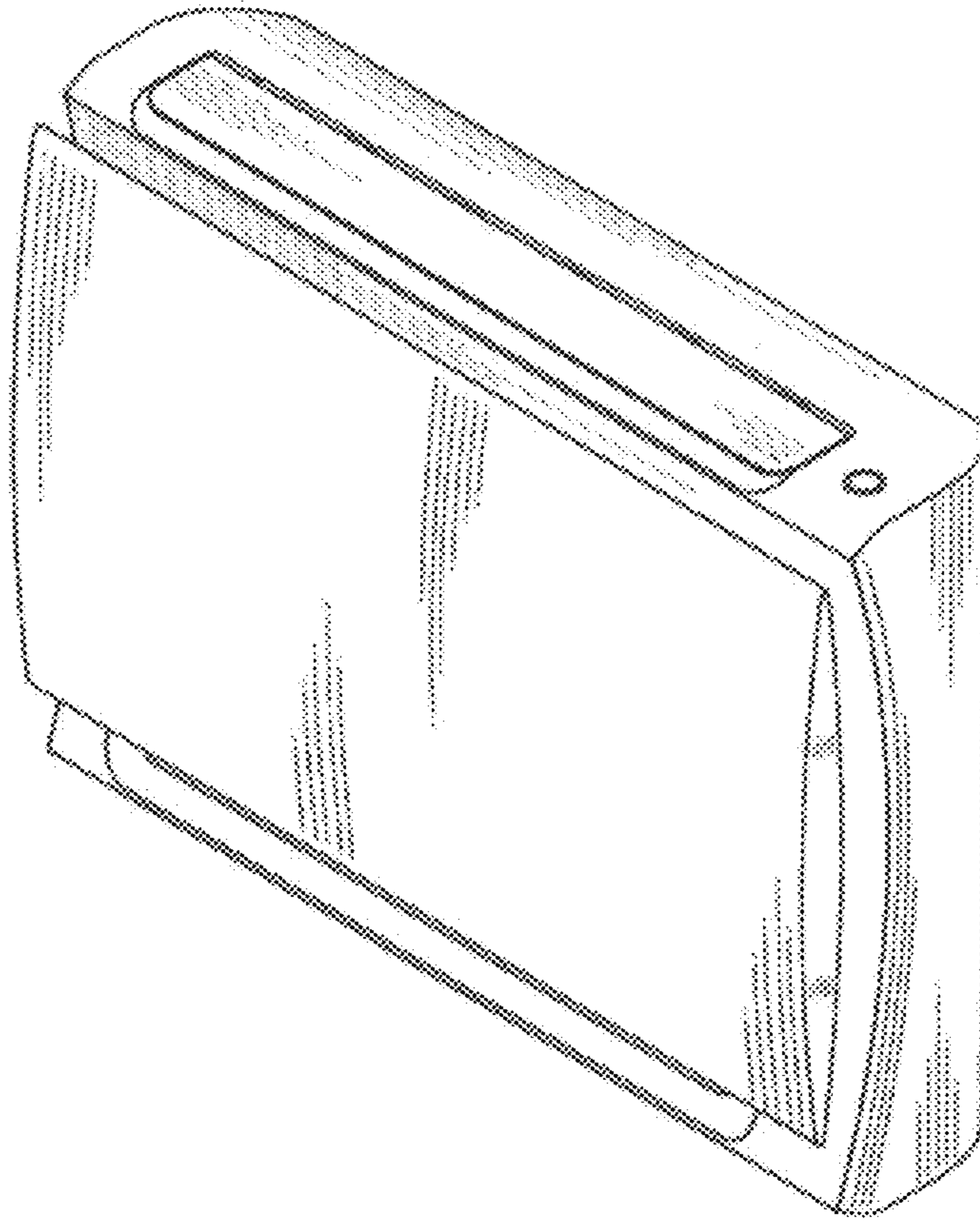


Fig. 2

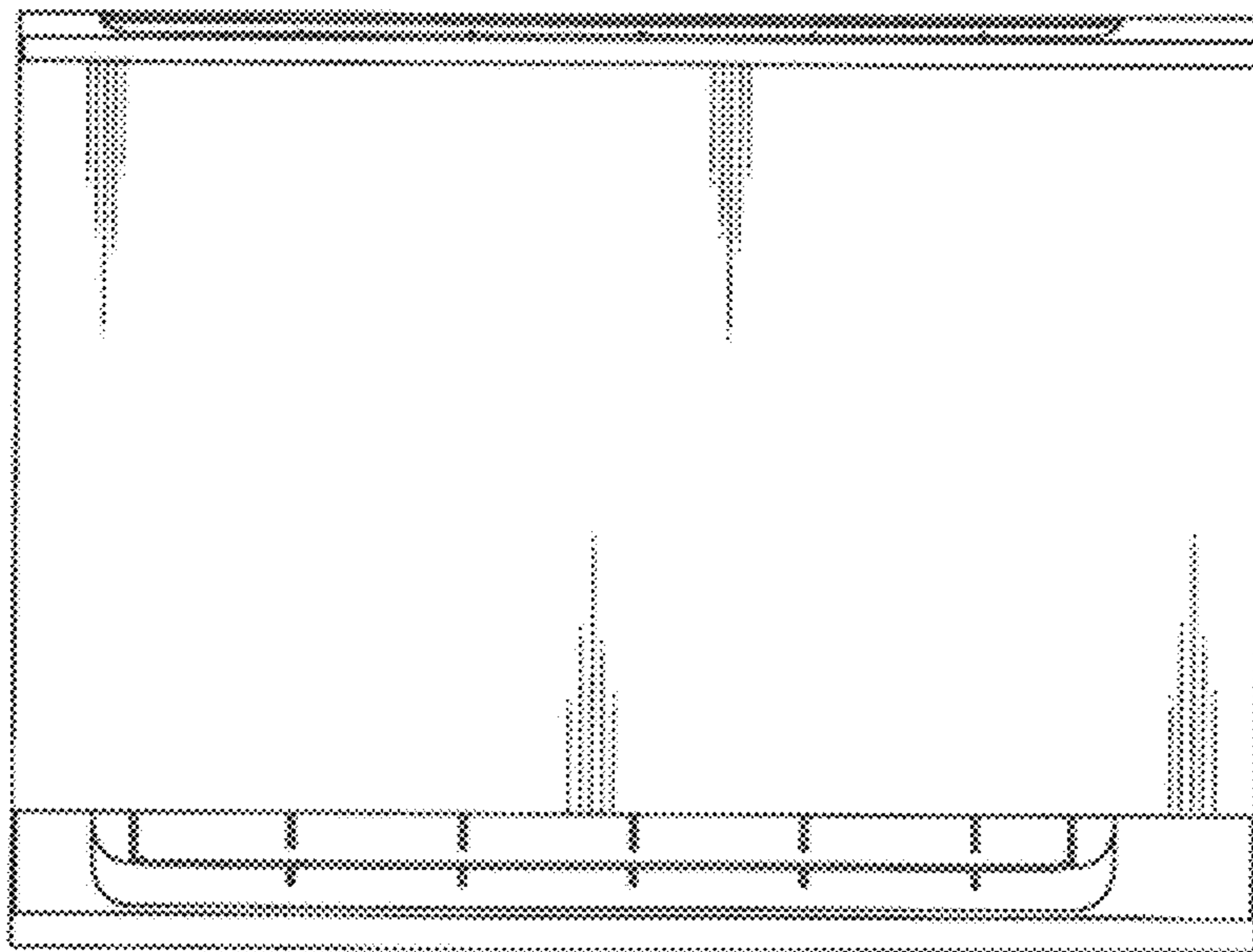


Fig. 3



Fig. 4



Fig. 5



Fig.6

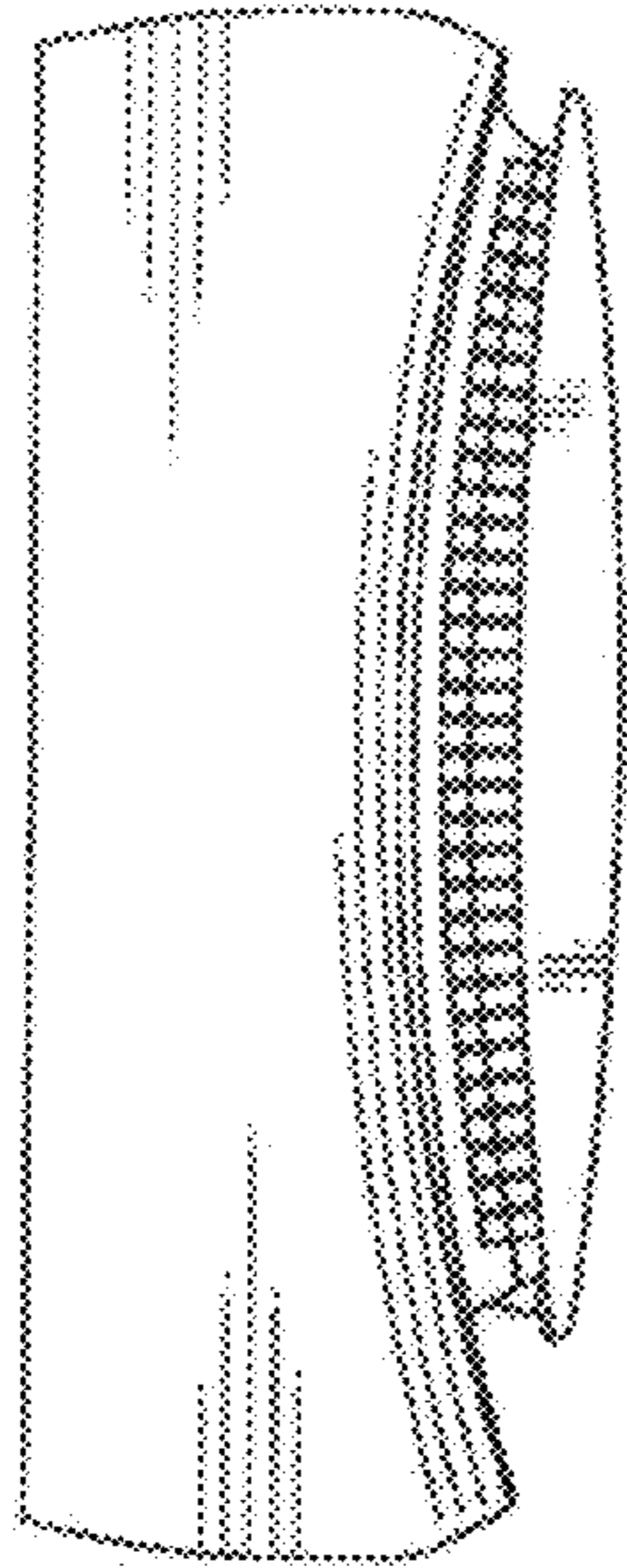


Fig.7

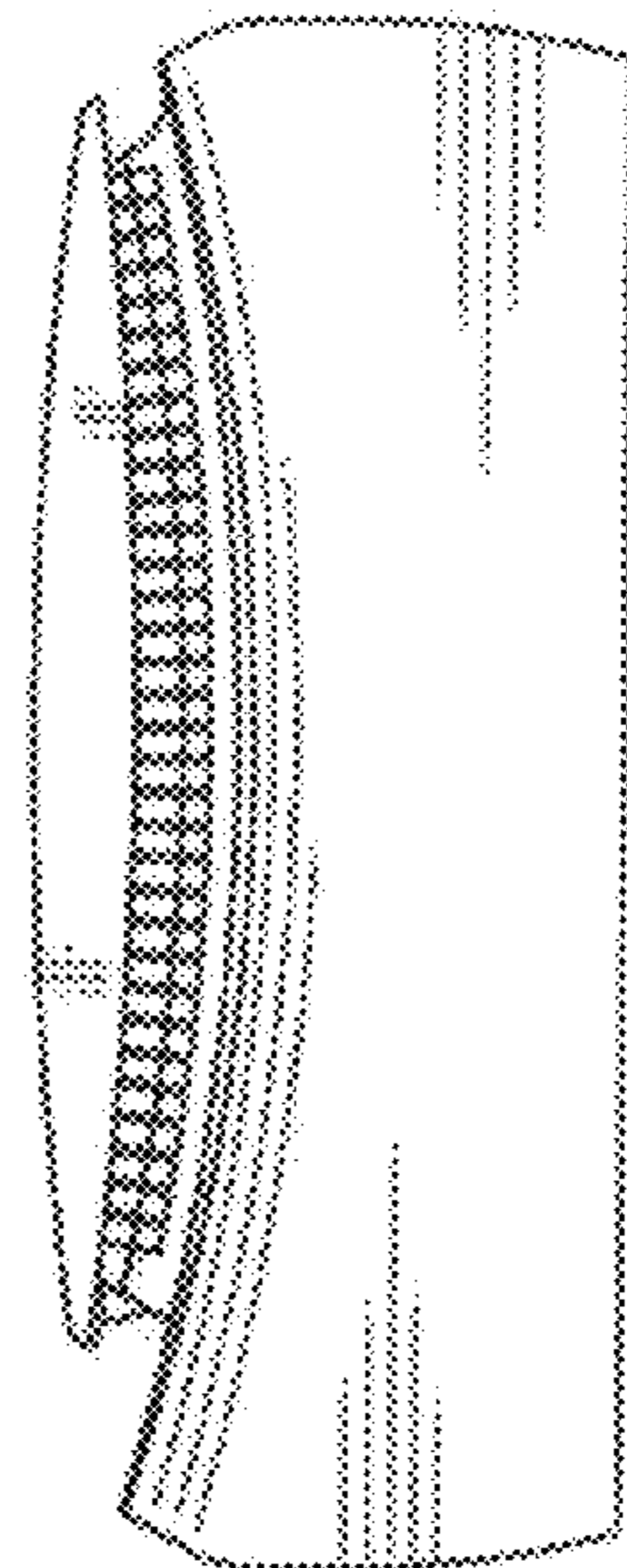


Fig.8

