



US00D852341S

(12) **United States Design Patent**
Nakamori

(10) **Patent No.:** **US D852,341 S**
(45) **Date of Patent:** **** Jun. 25, 2019**

- (54) **AIR-CONDITIONER**
- (71) Applicant: **Daiki Nakamori**, Osaka (JP)
- (72) Inventor: **Daiki Nakamori**, Osaka (JP)
- (73) Assignee: **DAIKIN INDUSTRIES LTD.**,
Osaka-Shi, Osaka-Fu (JP)
- (**) Term: **15 Years**
- (21) Appl. No.: **29/625,777**
- (22) Filed: **Nov. 13, 2017**
- (30) **Foreign Application Priority Data**
May 22, 2017 (JP) 2017-010830
- (51) **LOC (11) Cl.** **23-04**
- (52) **U.S. Cl.**
USPC **D23/351**
- (58) **Field of Classification Search**
USPC D23/333, 335, 341, 342, 351, 353, 354,
D23/355, 356, 359, 364, 365, 370, 385,
D23/386, 388, 393
CPC F24F 1/00; F24F 1/0007; F24F 1/02; F24F
1/08; F24F 1/42; F24F 1/56; F24F 1/60;
F24F 3/044; F24F 3/048; F24F 3/16;
F24F 7/00; F24F 7/04; F24F 12/001;
F24F 12/006
See application file for complete search history.

- (56) **References Cited**
U.S. PATENT DOCUMENTS
D578,195 S * 10/2008 Chun D23/351
D621,921 S * 8/2010 Ishida D23/351

- D623,281 S * 9/2010 Ishida D23/351
- D642,251 S * 7/2011 Seki D23/351
- D657,035 S * 4/2012 Chouji D23/351
- D681,180 S * 4/2013 Chouji D23/351
- D700,958 S * 3/2014 Ikegaya D23/351
- D709,604 S * 7/2014 Qin D23/351
- D720,059 S * 12/2014 Niki D23/351
- D720,062 S * 12/2014 Guojie D23/351
- D761,404 S * 7/2016 Chouji D23/351
- D770,024 S * 10/2016 Nakai D23/351
- D775,716 S * 1/2017 Chouji D23/351
- D777,894 S * 1/2017 Kato D23/351
- D811,569 S * 2/2018 Fujioka D23/351

* cited by examiner

Primary Examiner — George D. Kirschbaum
Assistant Examiner — Natasha Vujcic
 (74) *Attorney, Agent, or Firm* — Manabu Kanesaka

(57) **CLAIM**
 The ornamental design for air-conditioner, as shown and described.

DESCRIPTION

FIG. 1 is a perspective view of an air-conditioner showing my new design;
 FIG. 2 is a front view thereof;
 FIG. 3 is a rear view thereof;
 FIG. 4 is a plan view thereof;
 FIG. 5 is a bottom view thereof;
 FIG. 6 is a left side view thereof;
 FIG. 7 is a right side view thereof; and,
 FIG. 8 is a cross-sectional view thereof along the line 8-8 in FIG. 2.
 The broken lines depict portions of the air-conditioner that form no part of claimed design.

1 Claim, 3 Drawing Sheets

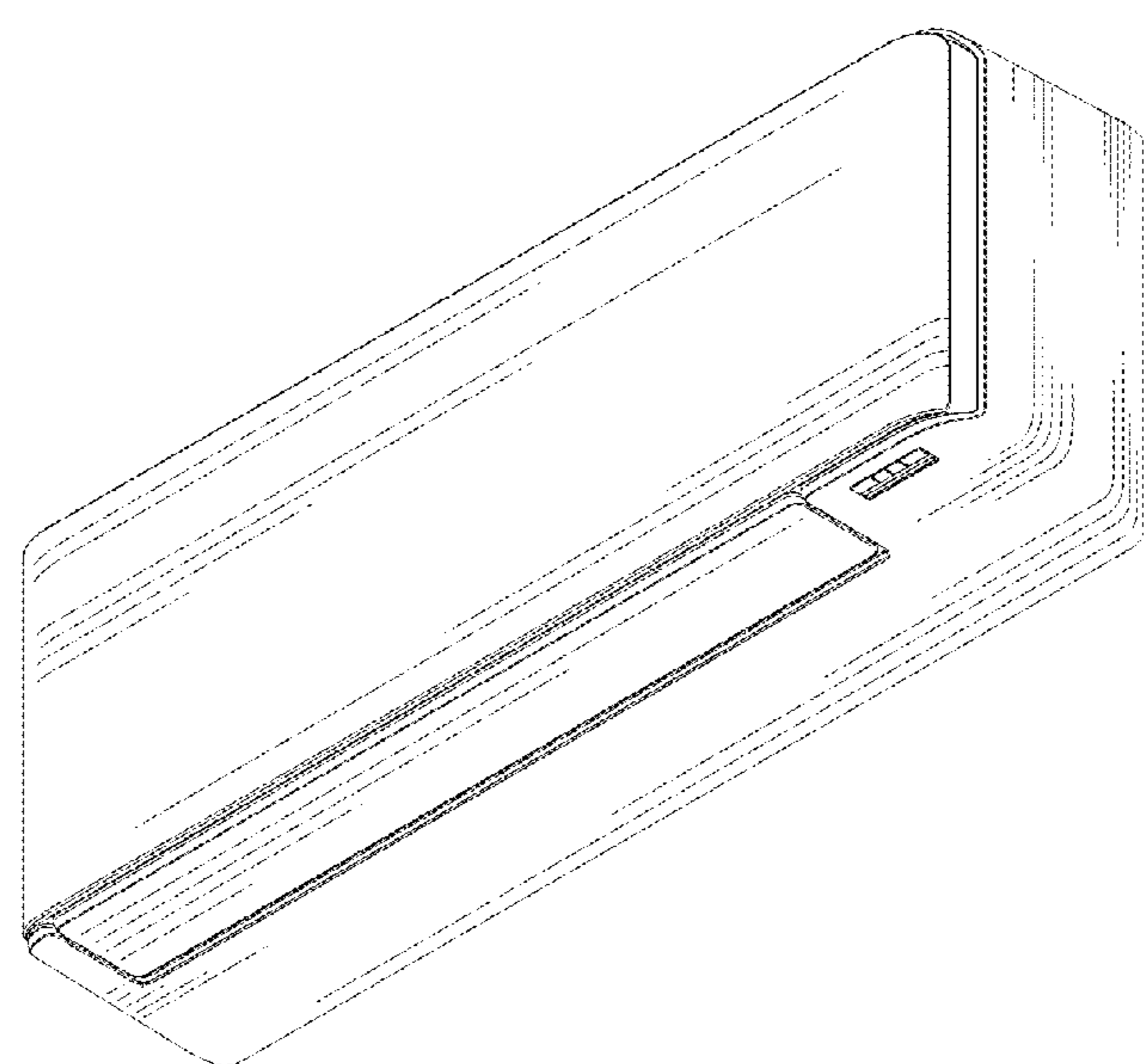


Fig.1

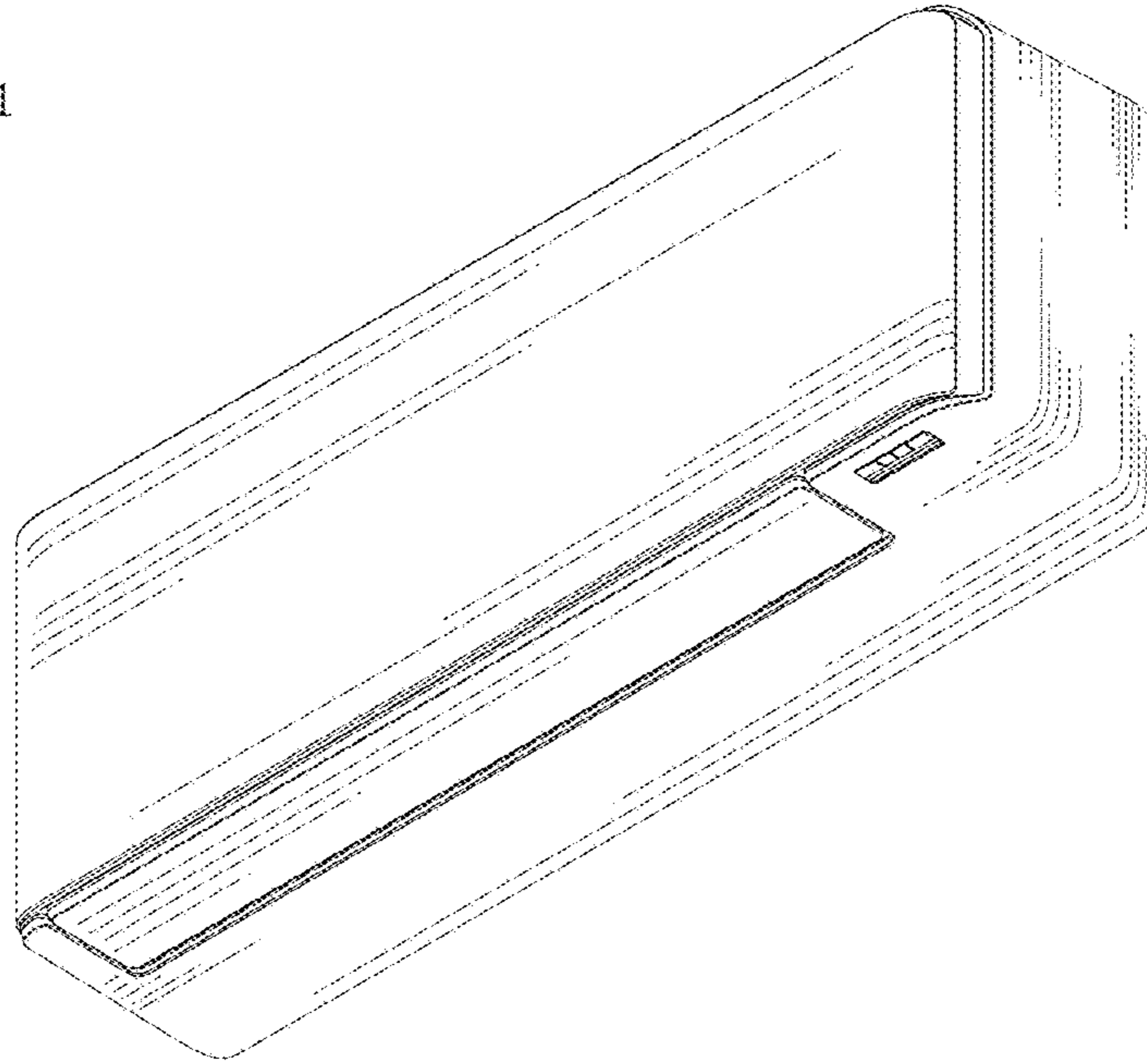


Fig.2

8 ←

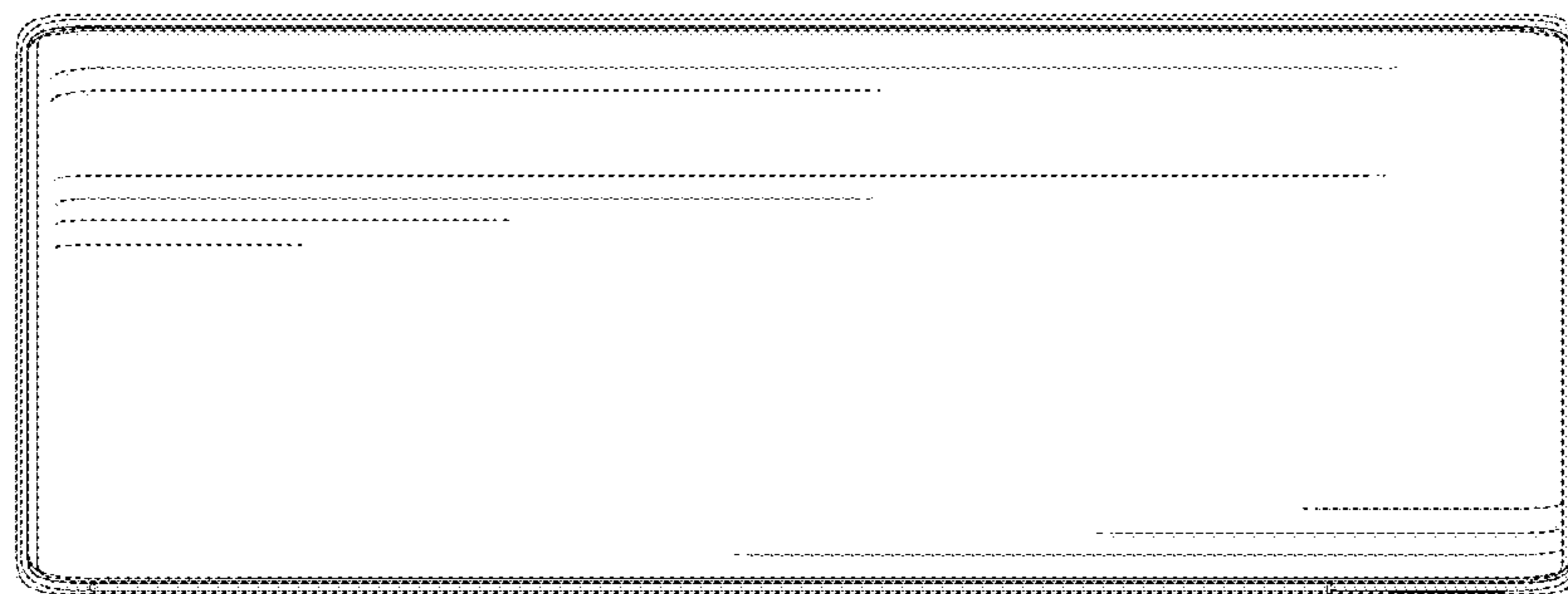


Fig.3

8 ←

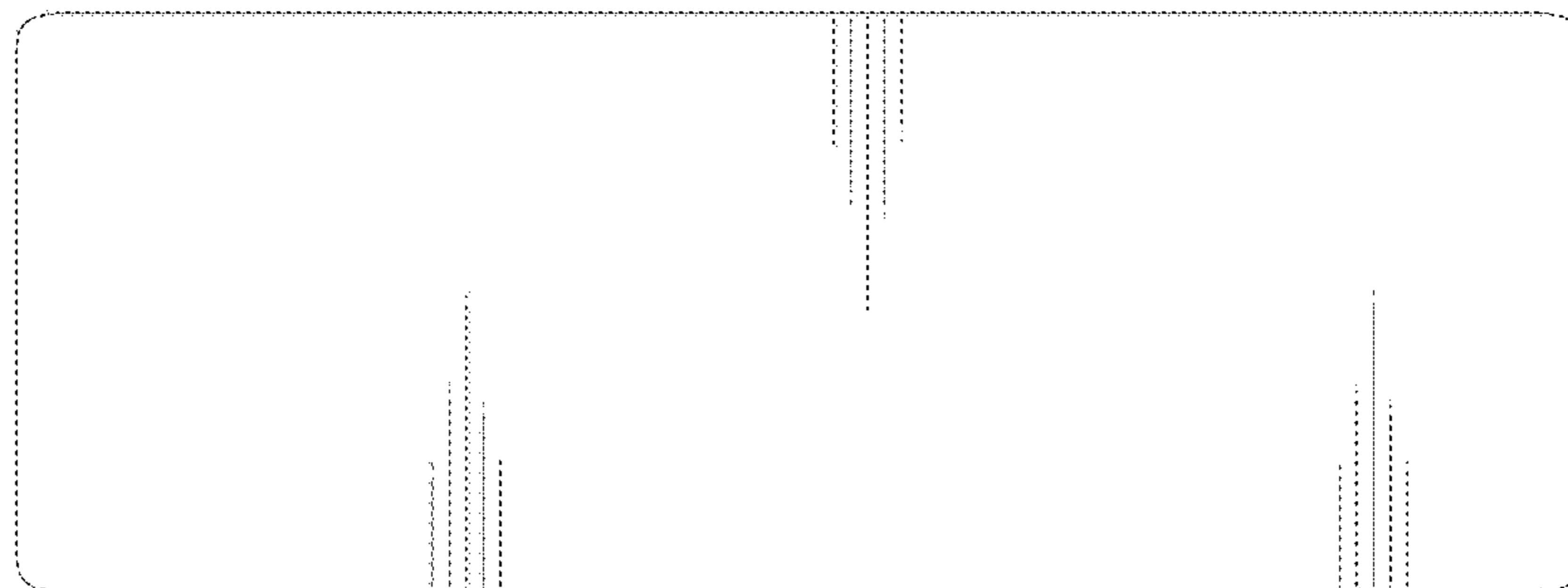


Fig.4

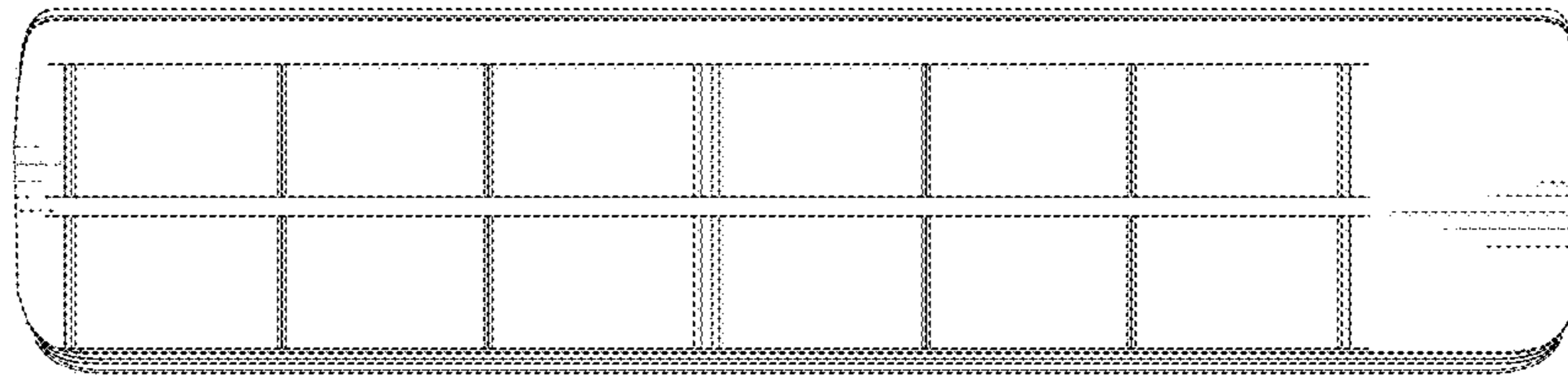


Fig.5

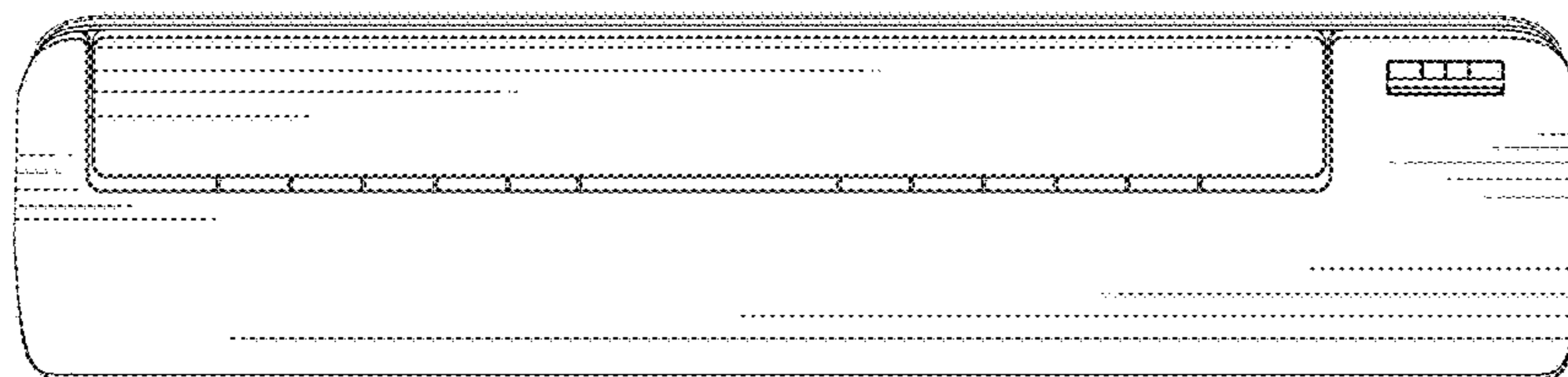


Fig.6

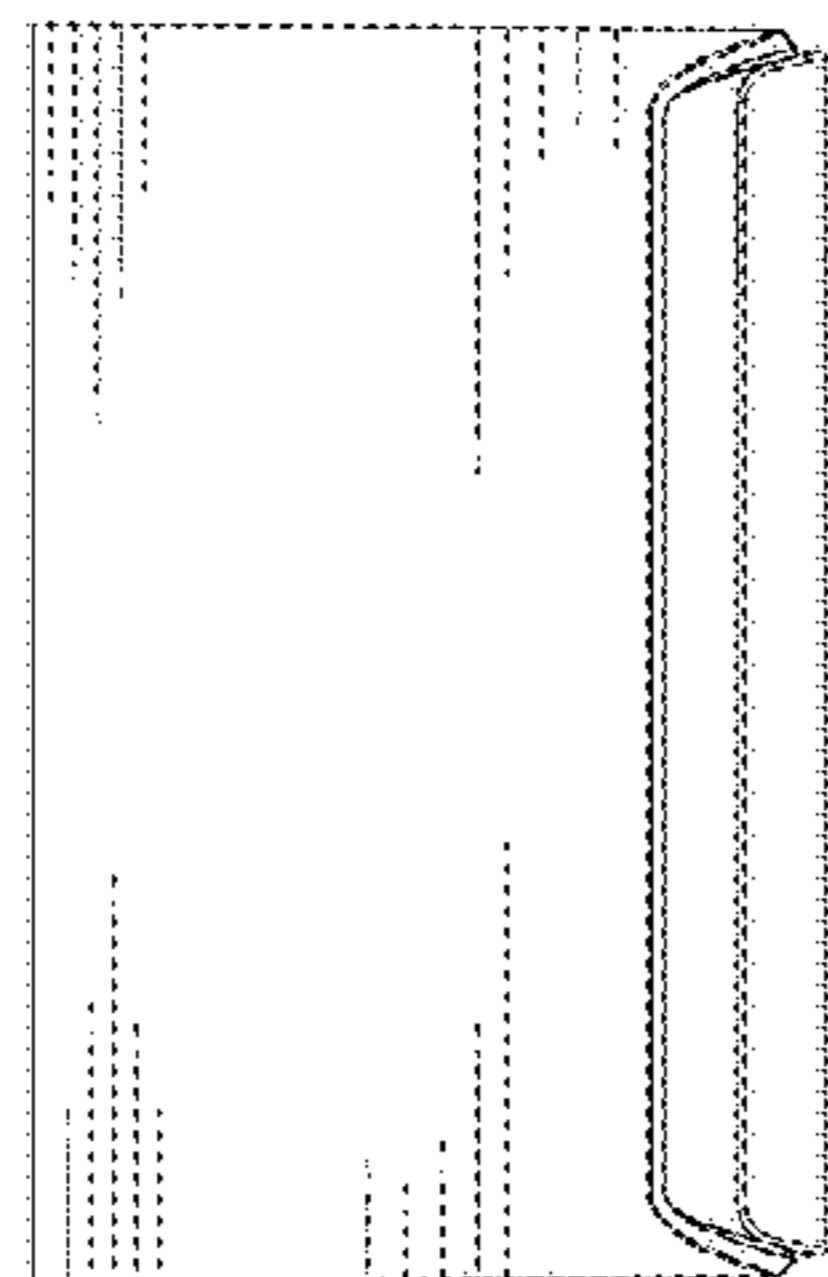


Fig.7

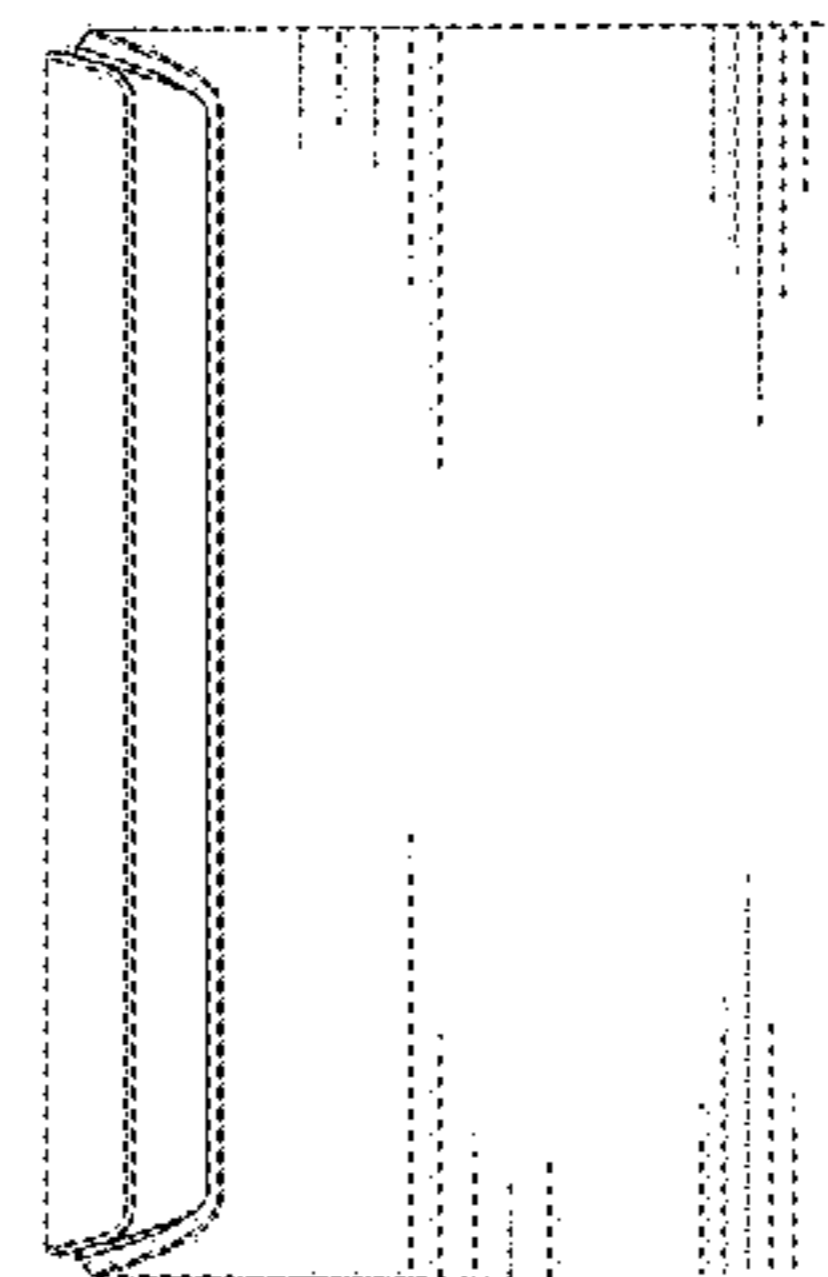


Fig.8

