



US00D852340S

(12) **United States Design Patent**  
**Barlettano**

(10) **Patent No.:** **US D852,340 S**  
(45) **Date of Patent:** **\*\* Jun. 25, 2019**

(54) **PERSONAL AIR COOLER**  
(71) Applicant: **ONTEL PRODUCTS CORPORATION**, Fairfield, NJ (US)

D282,102 S \* 1/1986 Yuen ..... D23/328  
D291,350 S 8/1987 Sherman  
D313,069 S \* 12/1990 McCormick ..... D23/335  
(Continued)

(72) Inventor: **Scott Barlettano**, Wayne, NJ (US)

**FOREIGN PATENT DOCUMENTS**

(73) Assignee: **Ontel Products Corporation**, Fairfield, NJ (US)

EP 001712704-0001 6/2010  
JP 1374275 11/2009  
(Continued)

(\*\*) Term: **15 Years**

**OTHER PUBLICATIONS**

(21) Appl. No.: **29/674,634**

GDSTIME EC Cooling Fan, [www.amazon.com/dp/B07H8W376G](http://www.amazon.com/dp/B07H8W376G),  
retrieved Nov. 7, 2018.

(22) Filed: **Dec. 21, 2018**

(Continued)

(51) **LOC (11) Cl.** ..... **23-04**

(52) **U.S. Cl.**  
USPC ..... **D23/333**

(58) **Field of Classification Search**  
USPC ..... D23/314, 317, 318, 324, 325, 327, 329,  
D23/332, 333, 334, 335, 336, 337, 338,  
D23/339, 340, 341, 342, 351, 355, 356,  
D23/359, 360, 364, 366  
CPC ..... F24F 6/00; F24F 2006/008; F24F 6/02;  
F24F 6/12; F24F 5/0035; F24H 9/2071;  
F24H 9/0052; F24H 9/02; F24H 3/006;  
F24H 3/002; F24H 3/00; F24H 3/02;  
F24H 3/022; F24H 3/0411; F24H 3/0417;  
F24D 19/06

See application file for complete search history.

*Primary Examiner* — T Chase Nelson  
*Assistant Examiner* — Ania Aman  
(74) *Attorney, Agent, or Firm* — John S. Artz; Dickinson  
Wright PLLC

(57) **CLAIM**

I claim the ornamental design for a personal air cooler, as  
shown and described.

**DESCRIPTION**

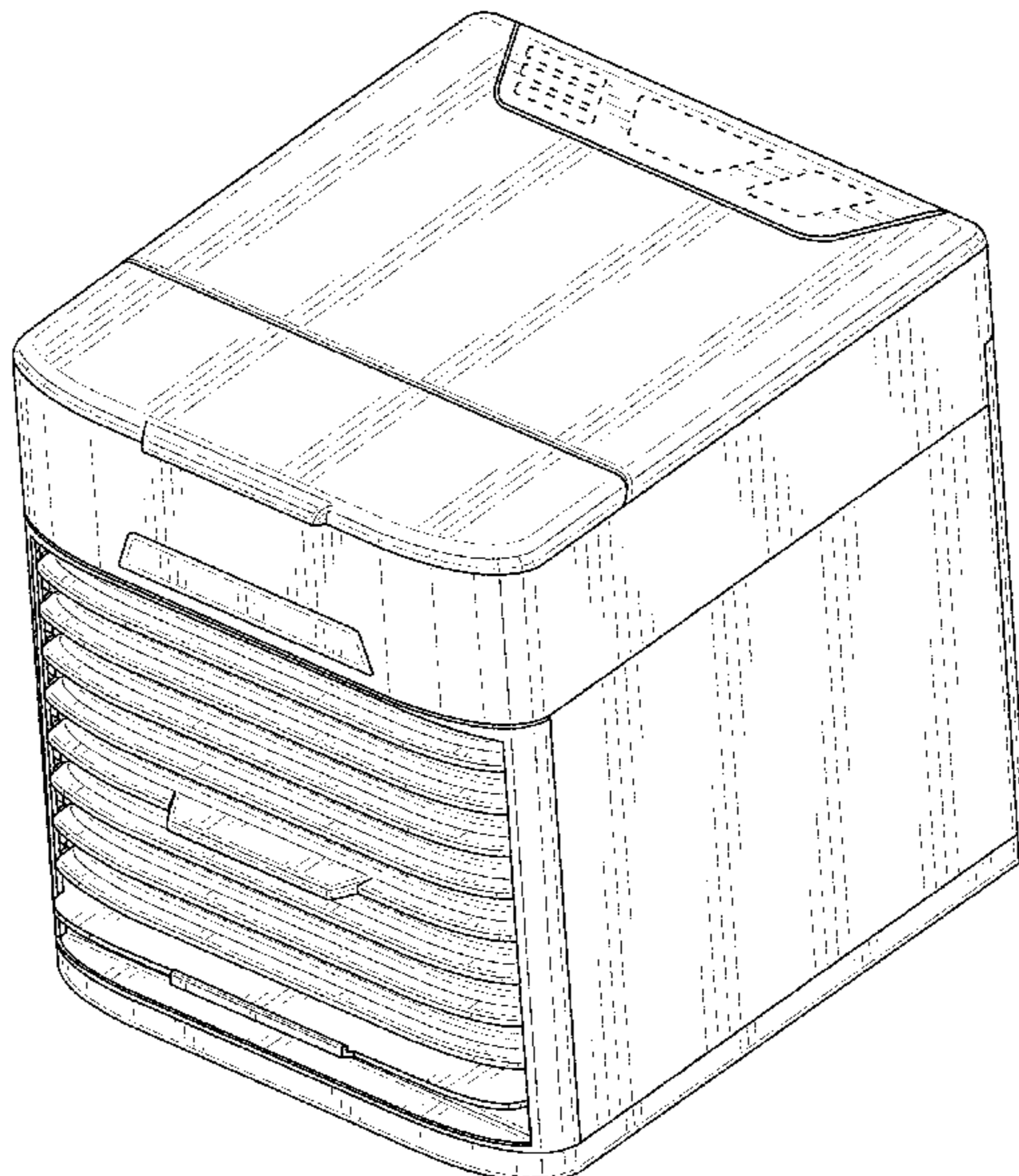
FIG. 1 is a top-side perspective view of a personal air cooler;  
FIG. 2 is a front view of the personal air cooler of FIG. 1;  
FIG. 3 is a left side view of the personal air cooler of FIG.  
1;  
FIG. 4 is a rear view of the personal air cooler of FIG. 1;  
FIG. 5 is a right side view of the personal air cooler of FIG.  
1;  
FIG. 6 is a top view of the personal air cooler of FIG. 1; and,  
FIG. 7 is a bottom view of the personal air cooler of FIG. 1.  
The broken lines in the drawings illustrate portions of the  
personal air cooler that form no part of the claimed design.

(56) **References Cited**

**U.S. PATENT DOCUMENTS**

D185,748 S 7/1959 Goettl  
D188,357 S \* 7/1960 Klotz, Jr. .... D23/333  
3,176,117 A \* 3/1965 Knoll ..... F24H 3/0411  
165/121  
D279,815 S 7/1985 Yuen  
D282,101 S \* 1/1986 Yuen ..... D23/328

**1 Claim, 7 Drawing Sheets**



(56)

References Cited

U.S. PATENT DOCUMENTS

4,977,755 A \* 12/1990 Tulley ..... F24F 5/0035  
 220/495.01  
 D319,498 S \* 8/1991 Huang ..... D23/335  
 D361,828 S 8/1995 Chen  
 D414,253 S 9/1999 Kobayashi  
 D433,111 S 10/2000 Wright  
 D468,005 S \* 12/2002 Bailey ..... D13/168  
 D536,780 S \* 2/2007 Lerche ..... D23/393  
 D543,614 S 5/2007 Chen  
 D553,725 S 10/2007 Shimizu  
 D559,973 S 1/2008 Rabito  
 D594,960 S 6/2009 Orihara  
 D606,645 S 12/2009 Orihara  
 D616,080 S 5/2010 Ching  
 D691,250 S \* 10/2013 Chan ..... D23/332  
 D733,273 S 6/2015 Jeon  
 D733,860 S 7/2015 Konno  
 D769,431 S \* 10/2016 Lopez ..... D23/324  
 D791,290 S \* 7/2017 Shapiro ..... D23/332  
 D804,001 S 11/2017 Cartwright  
 D827,115 S 8/2018 Petersen  
 2014/0260402 A1 \* 9/2014 Varma ..... F28C 3/08  
 62/314

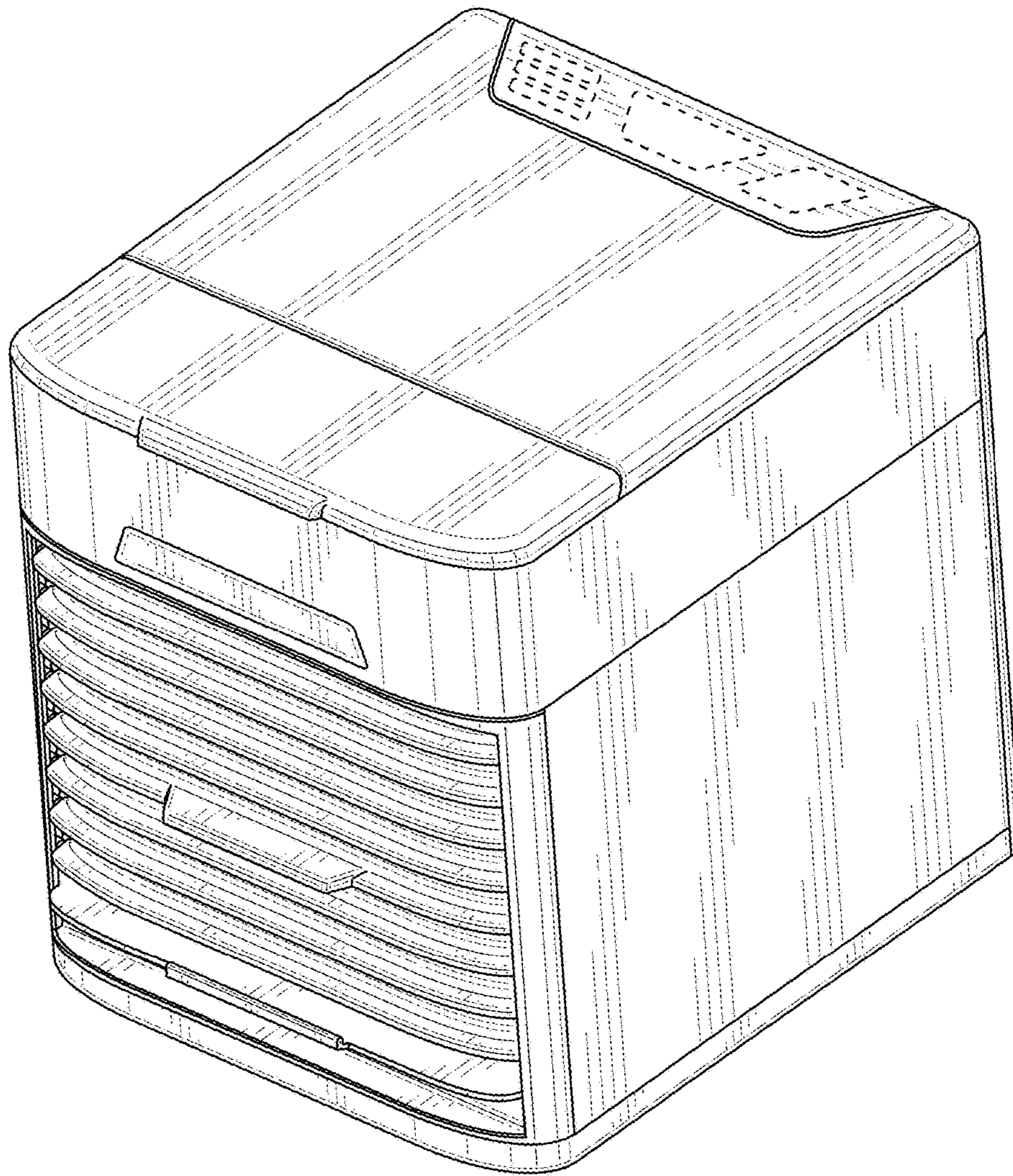
FOREIGN PATENT DOCUMENTS

JP 1388881 5/2010  
 KR 30-0764177 10/2014  
 KR 30-0865259 7/2016

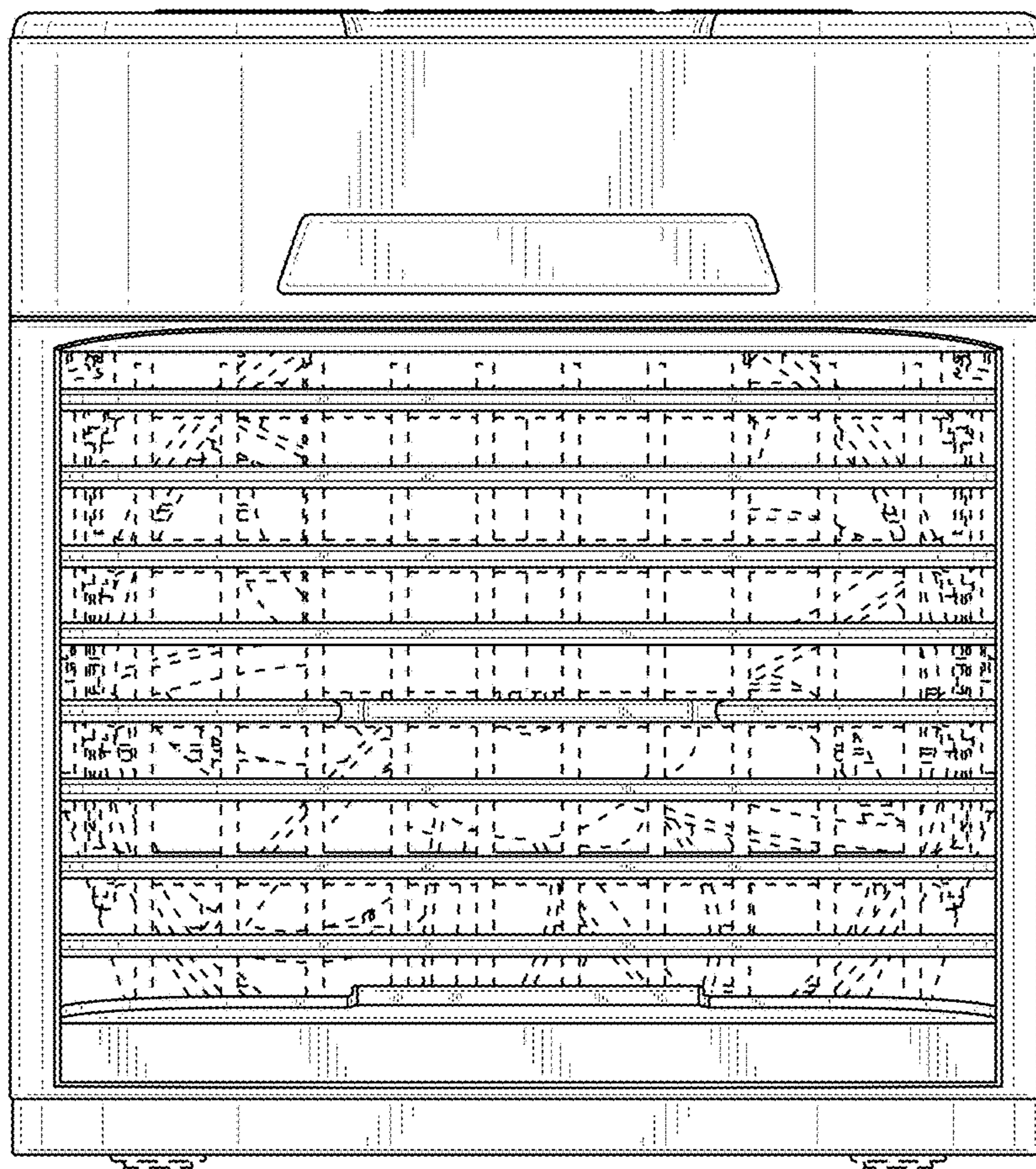
OTHER PUBLICATIONS

ONTEL AA-MC4 Arctic Air Personal Space & Portable Cooler | The Quick & Easy Way to Cool Any Space, As Seen on TV, [www.amazon.com/AA-MC4-Arctic-Personal-Portable-Cooler/dp/B0787DD3RX](http://www.amazon.com/AA-MC4-Arctic-Personal-Portable-Cooler/dp/B0787DD3RX), retrieved Oct. 31, 2018.  
 EVAPOLAR AIR Cooler evaSMART EV-3000 Opaque White US Plug, [www.amazon.com/dp/B075G1HBNW](http://www.amazon.com/dp/B075G1HBNW), retrieved Oct. 31, 2018.  
 Evapolar EV 1000CART Replacement Evaporative Cartridge for EV-1000 evaLIGHT Personal Air Cooler and Humidifer, [www.amazon.com/Evapolar-EV1000CART-Replacement-Evaporative-Humidifier/dp/B06XT5B742](http://www.amazon.com/Evapolar-EV1000CART-Replacement-Evaporative-Humidifier/dp/B06XT5B742), retrieved Oct. 31, 2018.  
 HoMedics MyChill Personal Space Cooler in Blue, [www.amazon.com/HoMedics-MyChill-Personal-Space-Cooler/dp/B075564HQZ](http://www.amazon.com/HoMedics-MyChill-Personal-Space-Cooler/dp/B075564HQZ), retrieved Oct. 31, 2018.  
 Domus, vol. 767, Jan. 31, 1995, p. 108, Design Division of the Japan Patent Office.  
 Issuance of Notice of Grant for Japanese Design Application No. 2018-013816.  
 Filter for Personal Space Cooler, Arctic Air Cooler Replacement Filter Humidifier, [www.amazon.com/dp/B07DGMWSH6/](http://www.amazon.com/dp/B07DGMWSH6/), retrieved Oct. 31, 2018.  
 Ontel Arctic Air Personal Space Cooler Replacement Filter Authentic OEM, [www.amazon.com/dp/B07DQ6DXXC/](http://www.amazon.com/dp/B07DQ6DXXC/), retrieved Oct. 31, 2018.  
 World's First Personal Air Cooler (EVAPOLAR), [www.youtube.com/watch?v=k4NxBWPTqOA](http://www.youtube.com/watch?v=k4NxBWPTqOA), published Aug. 23, 2016.  
 Global Sources Home Products, No. 10, vol. 8, p. 11, Docket No. HB26005377: Design Division of the Japan Patent Office; Nov. 27, 2014.

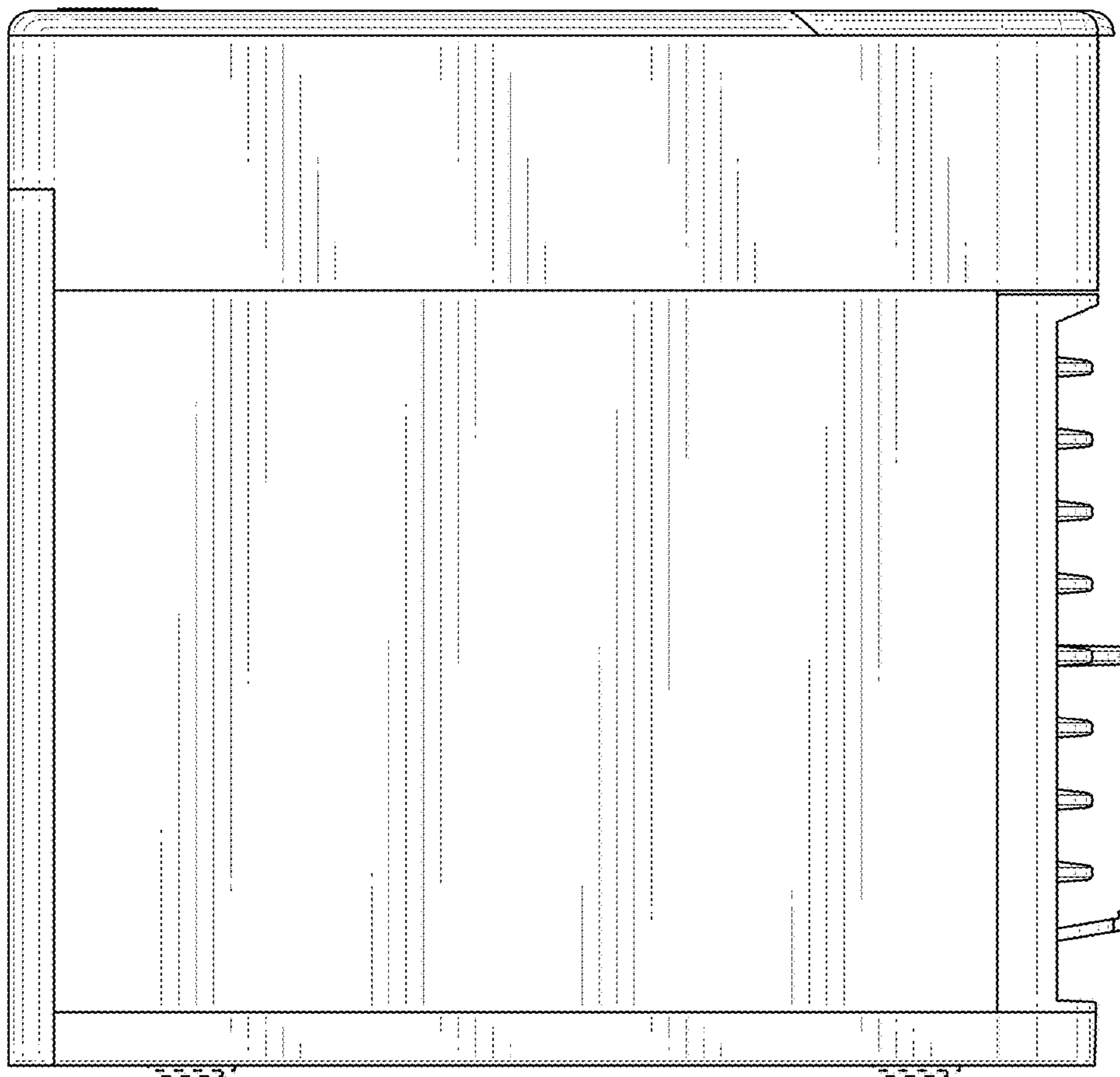
\* cited by examiner



**FIG. 1**



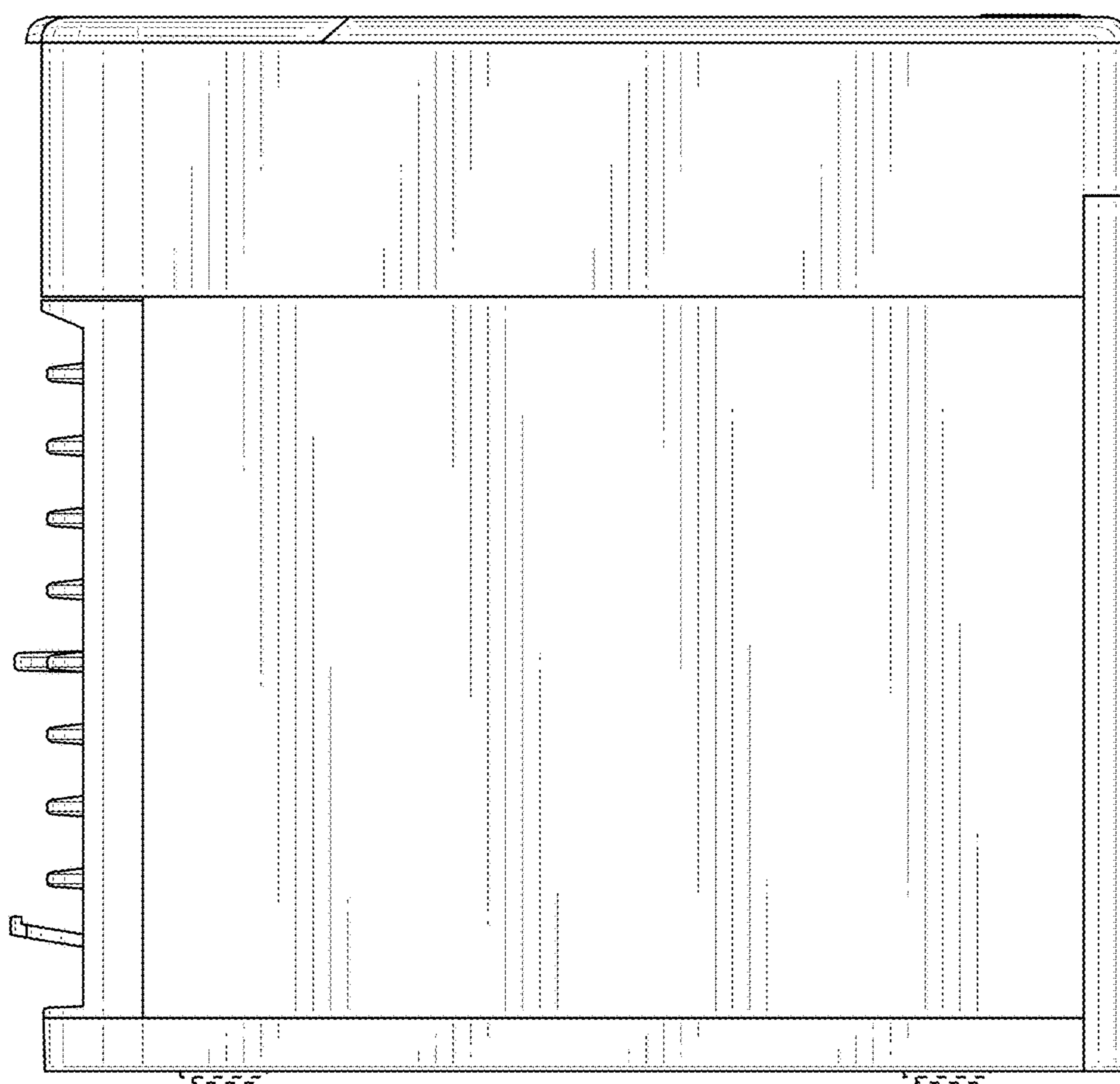
**FIG. 2**



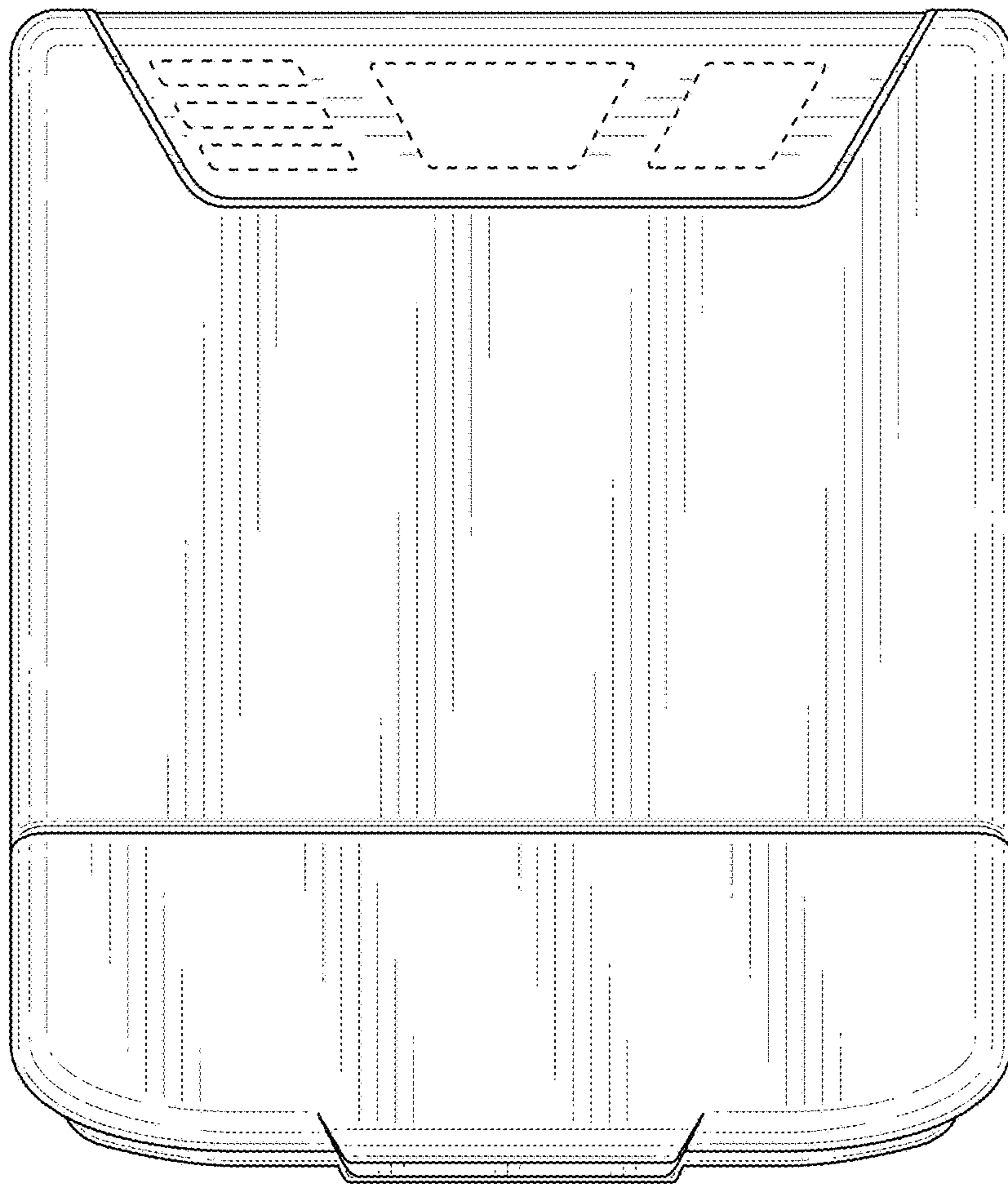
**FIG. 3**



**FIG. 4**

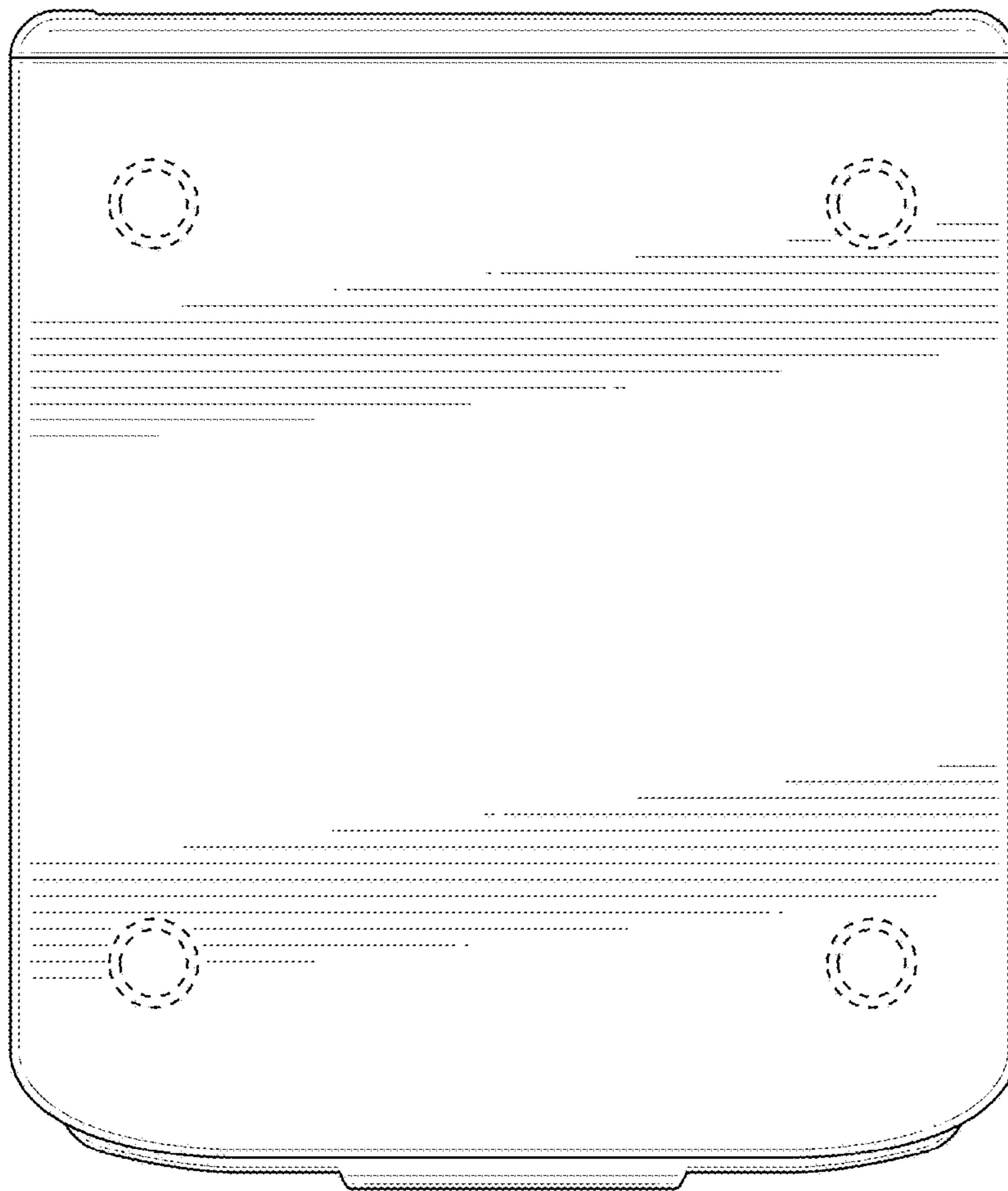


**FIG. 5**



**FIG. 6**





**FIG. 7**