

US00D852338S

(12) **United States Design Patent**  
**Huan et al.**

(10) **Patent No.:** **US D852,338 S**  
(45) **Date of Patent:** **\*\* Jun. 25, 2019**

(54) **HEAT EXCHANGER**

(71) Applicant: **Danfoss Micro Channel Heat Exchanger (Jiaxing) Co., Ltd., Zhejiang (CN)**

(72) Inventors: **Jin Huan, Zhejiang (CN); Jin Junfeng, Zhejiang (CN); Lu Xiangxun, Zhejiang (CN)**

(73) Assignee: **DANFOSS MICRO CHANNEL HEAT EXCHANGER (JIAXING) CO., LTD., Zhejiang (CN)**

(\*\*) Term: **15 Years**

(21) Appl. No.: **29/588,656**

(22) Filed: **Dec. 22, 2016**

(30) **Foreign Application Priority Data**

Jul. 5, 2016 (CN) ..... 2016 3 0303271

(51) **LOC (11) Cl.** ..... **23-03**

(52) **U.S. Cl.**  
USPC ..... **D23/323**

(58) **Field of Classification Search**  
USPC ..... D23/323, 322, 324, 386, 325, 327, 354, D23/330; D7/407; D13/179  
CPC ..... F28F 1/06; F28F 1/16; F28F 1/21; F28F 9/02; F28D 1/047; F28D 13/12; F28D 7/06; F28D 7/10; F28D 2001/0266; B21D 53/02; F28B 1/06

See application file for complete search history.

(56) **References Cited**

**U.S. PATENT DOCUMENTS**

5,787,973 A \* 8/1998 Kado ..... F28F 9/182  
165/153  
5,910,167 A \* 6/1999 Reinke ..... F25B 39/028  
165/174

D717,932 S \* 11/2014 Mross ..... D23/323  
D787,033 S \* 5/2017 Huan ..... D23/323  
2006/0131009 A1\* 6/2006 Nies ..... F28D 1/05391  
165/176  
2006/0196052 A1\* 9/2006 Lesage ..... B21D 53/085  
29/890.043  
2006/0196647 A1\* 9/2006 Mathur ..... F28D 1/0435  
165/140  
2008/0173434 A1\* 7/2008 Matter ..... F28D 1/0417  
165/150

(Continued)

*Primary Examiner* — Karen S Acker

*Assistant Examiner* — Steven B Reinholdt, Jr.

(74) *Attorney, Agent, or Firm* — McCormick, Paulding & Huber LLP

(57) **CLAIM**

The ornamental design for a heat exchanger, substantially as shown and described.

**DESCRIPTION**

FIG. 1 is a front, left side and top perspective view of a heat exchanger comprising a new, original and ornamental design;

FIG. 2 is a front view thereof;

FIG. 3 is a rear view thereof;

FIG. 4 is a left side view thereof;

FIG. 5 is a right side view thereof;

FIG. 6 is a top view thereof;

FIG. 7 is a bottom view thereof;

FIG. 8 is a front, left side and top perspective view of the heat exchanger in accordance with a second embodiment;

FIG. 9 is a front view thereof;

FIG. 10 is a rear view thereof;

FIG. 11 is a left side view thereof;

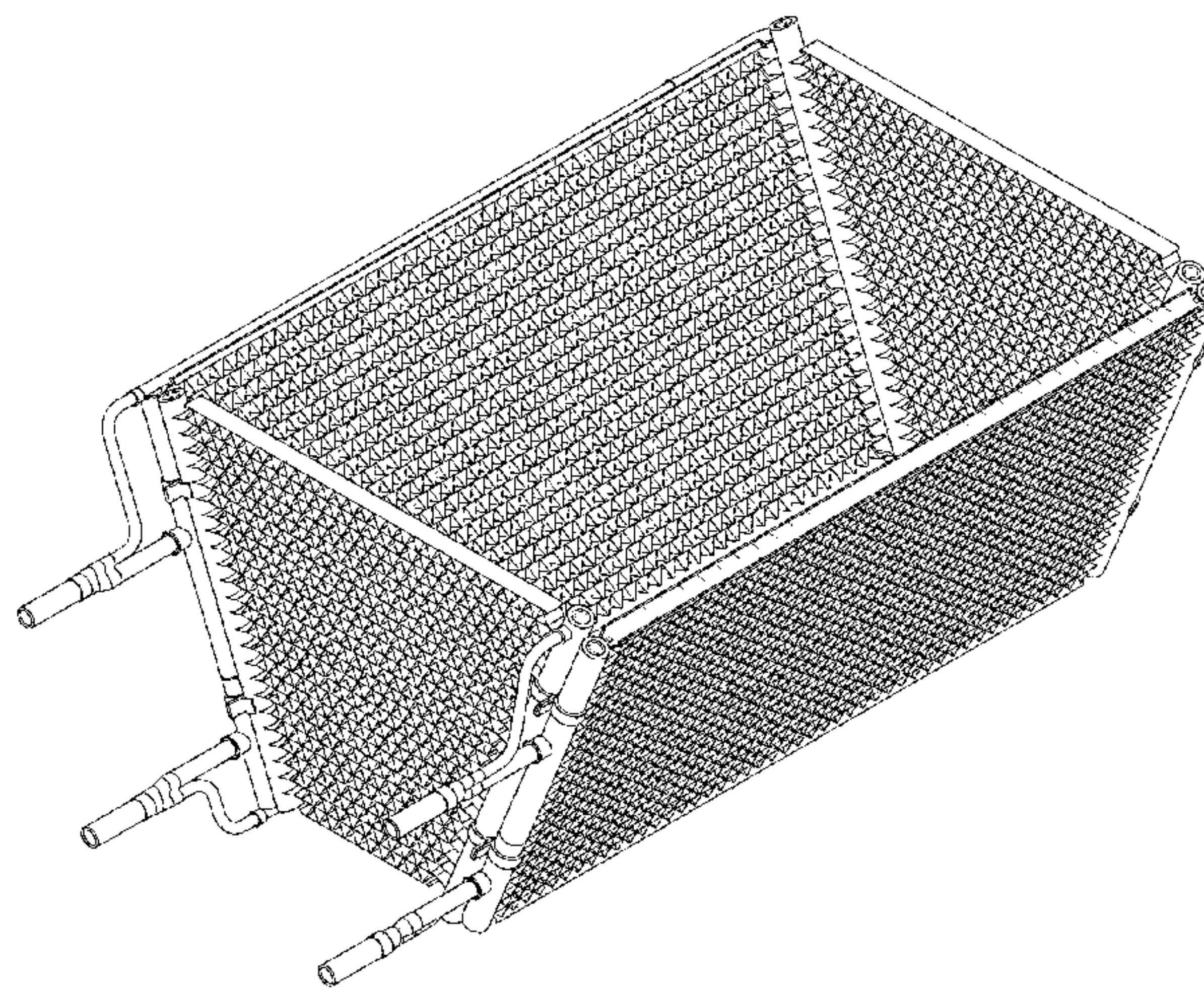
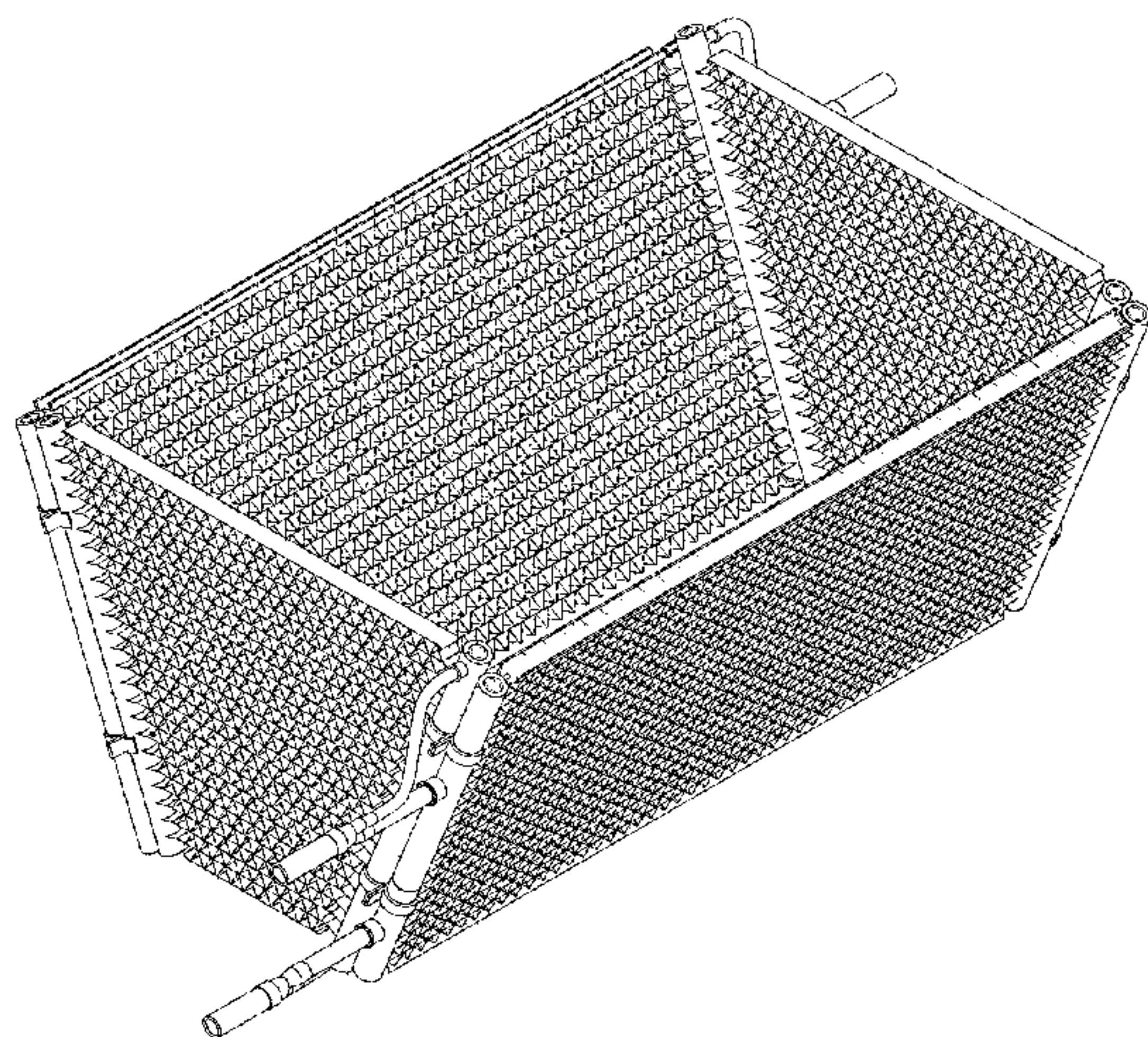
FIG. 12 is a right side view thereof;

FIG. 13 is a top view thereof; and,

FIG. 14 is a bottom view thereof.

The broken lines show portions of the heat exchanger that form no part of the claimed design.

**1 Claim, 14 Drawing Sheets**





(56)

**References Cited**

U.S. PATENT DOCUMENTS

2009/0314475 A1\* 12/2009 Jeon ..... F28D 1/0391  
165/109.1  
2011/0139425 A1\* 6/2011 Beamer ..... F28D 1/0476  
165/175  
2011/0247791 A1\* 10/2011 Jiang ..... F28D 1/047  
165/173  
2012/0227944 A1\* 9/2012 Moisisdis ..... F28D 1/047  
165/172  
2013/0199760 A1\* 8/2013 Kadle ..... F28F 1/128  
165/152  
2013/0292103 A1\* 11/2013 Eindhoven ..... F28B 1/06  
165/173  
2014/0366571 A1\* 12/2014 Gao ..... F25B 39/02  
62/498  
2014/0374077 A1\* 12/2014 Lee ..... F28F 1/12  
165/173  
2015/0168071 A1\* 6/2015 Gao ..... B23P 15/26  
165/151  
2017/0160016 A1\* 6/2017 Lee ..... F28D 7/0066  
2017/0299266 A1\* 10/2017 Eindhoven ..... F28B 1/06  
2018/0126822 A1 5/2018 Nishino et al.  
2018/0149432 A1 5/2018 Kono et al.

\* cited by examiner



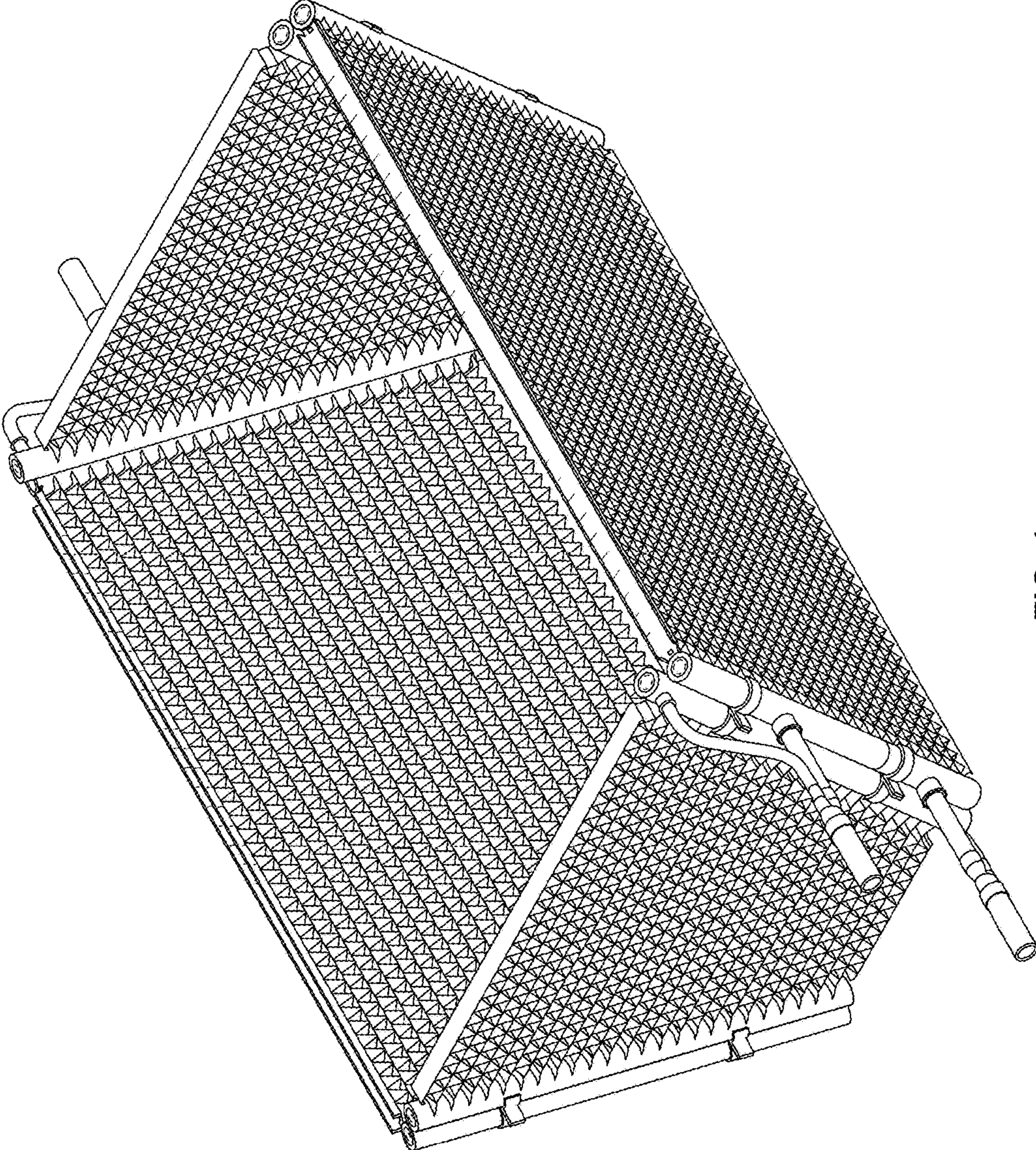


FIG. 1



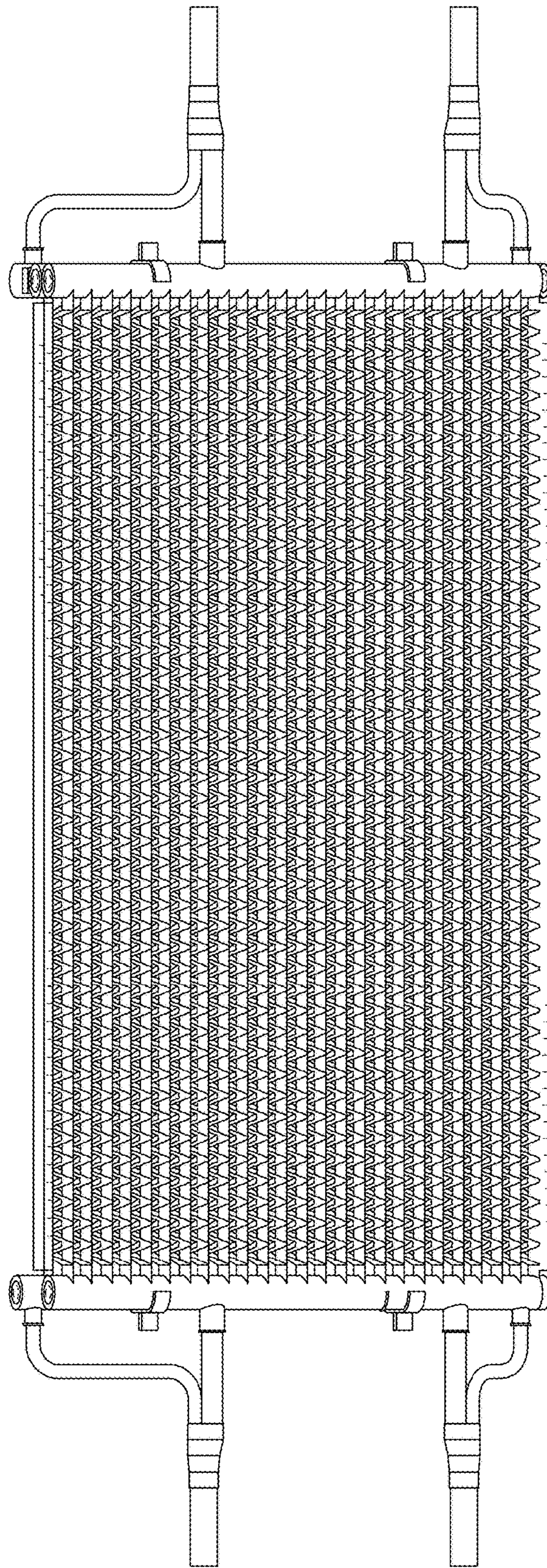


FIG. 2



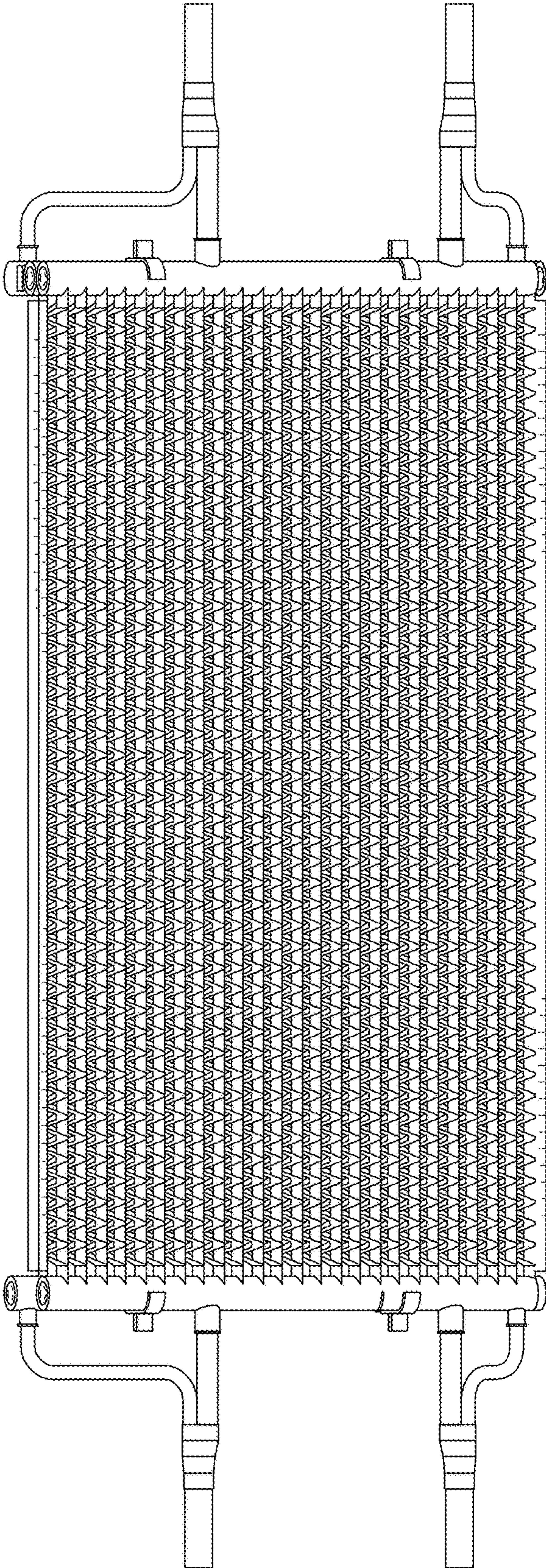


FIG. 3

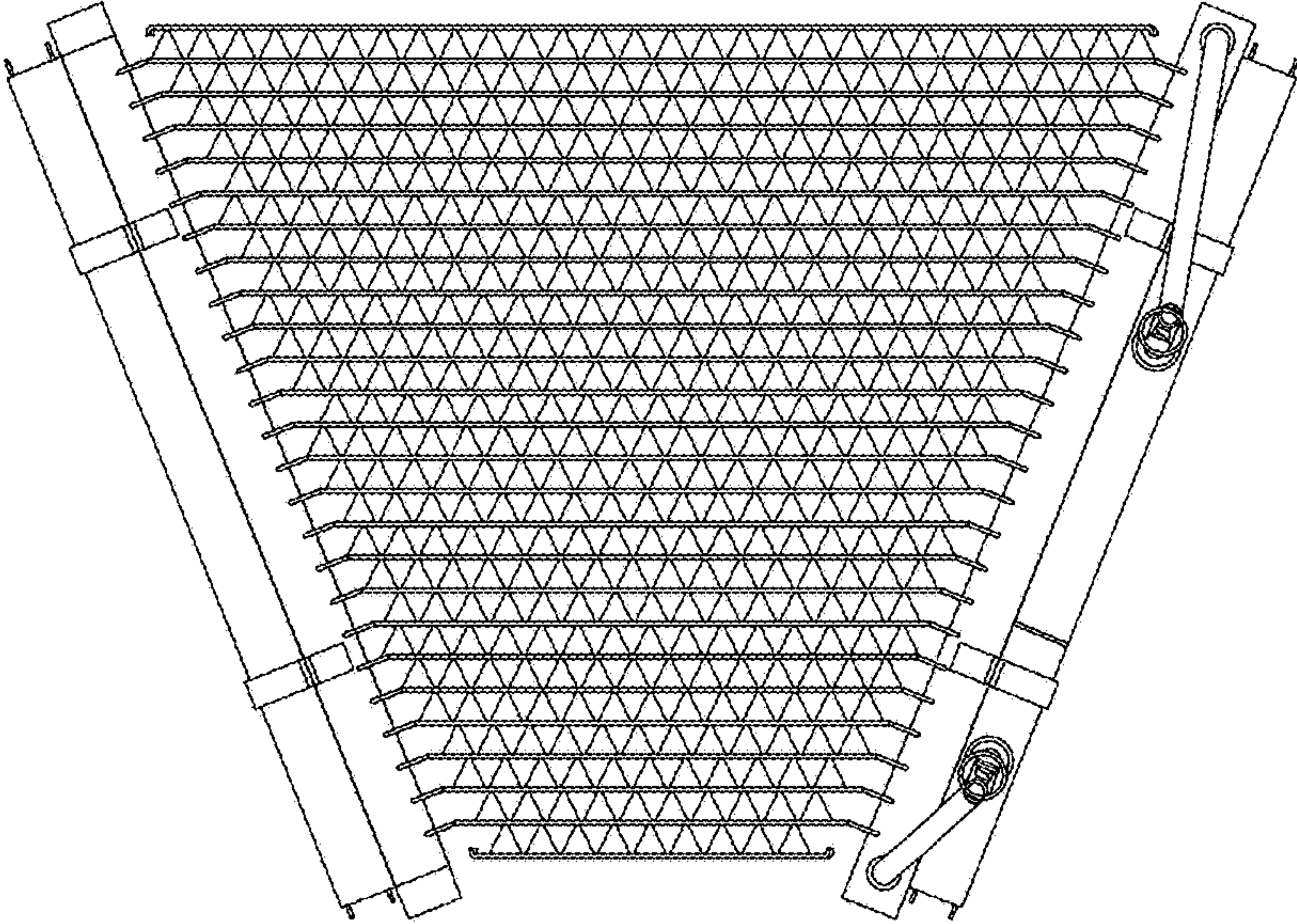


FIG. 4



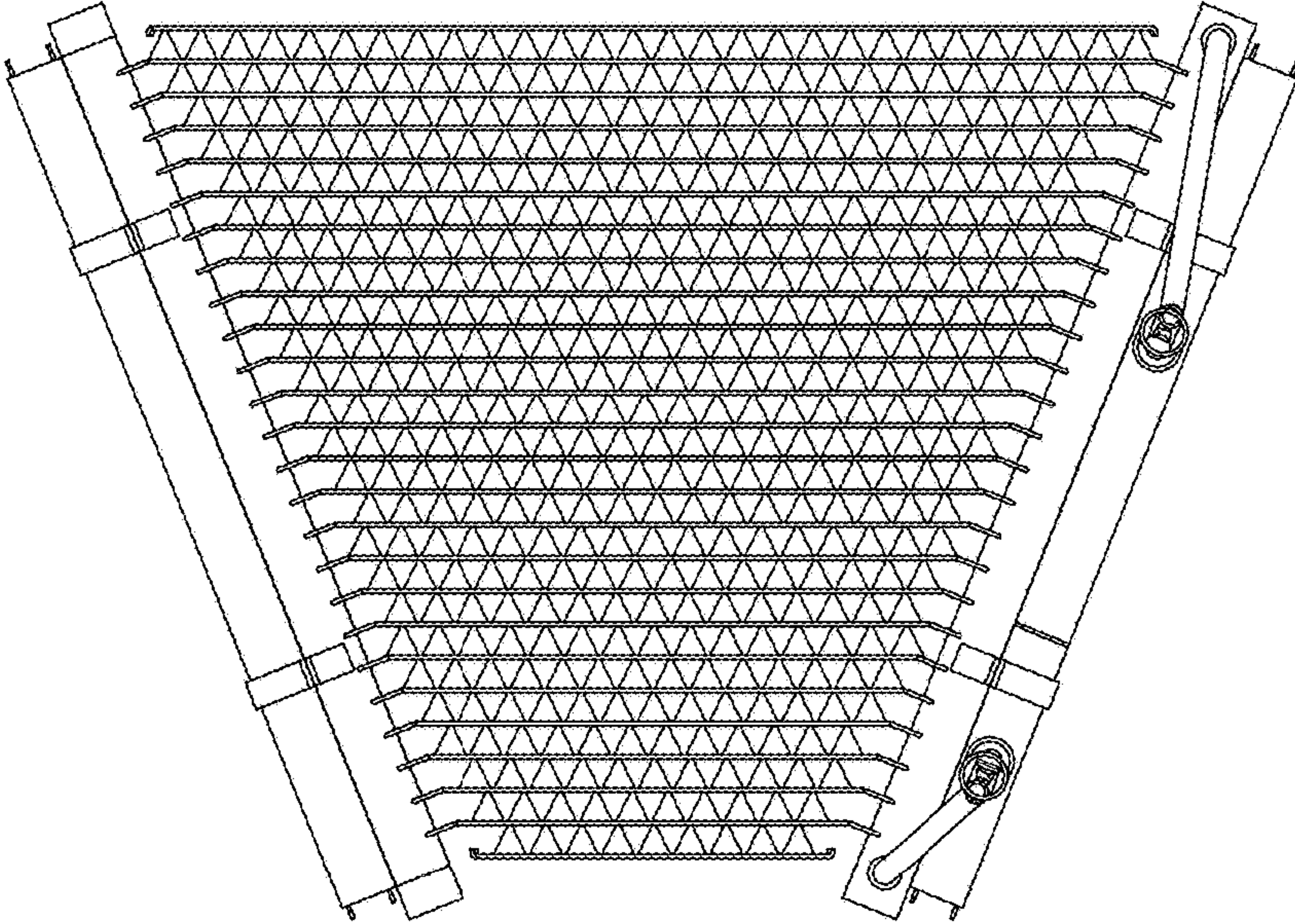


FIG. 5

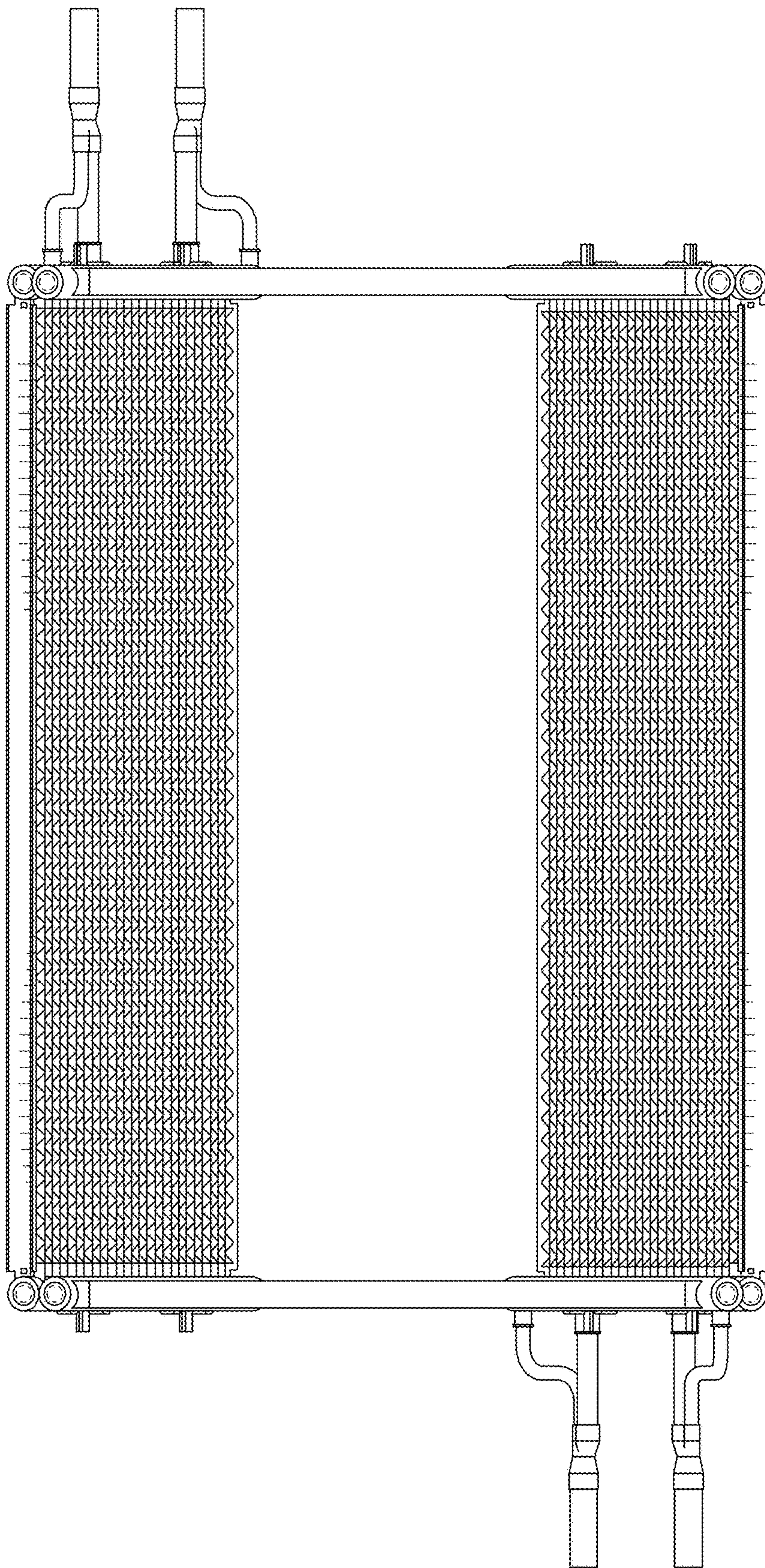


FIG. 6



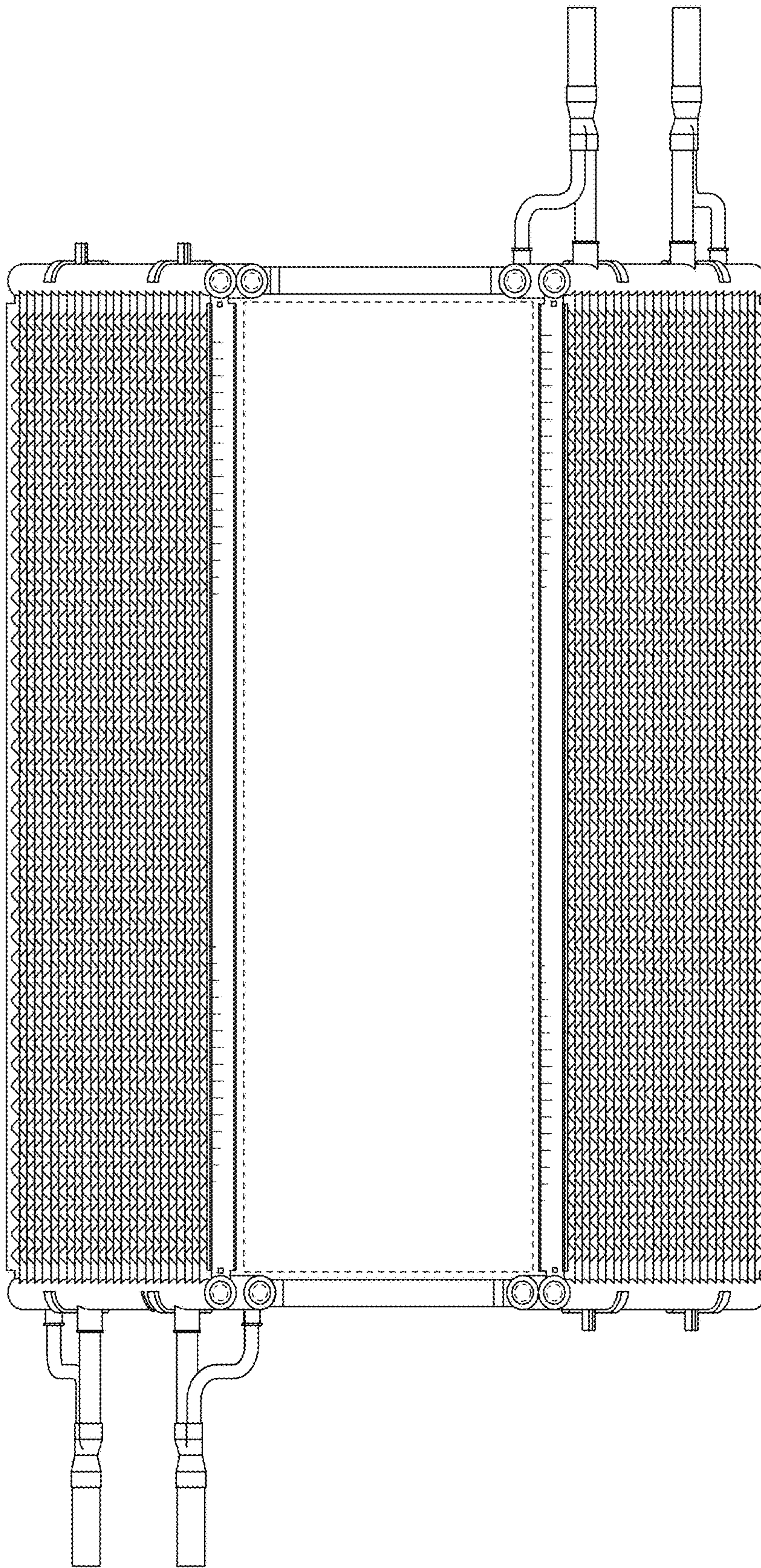


FIG. 7



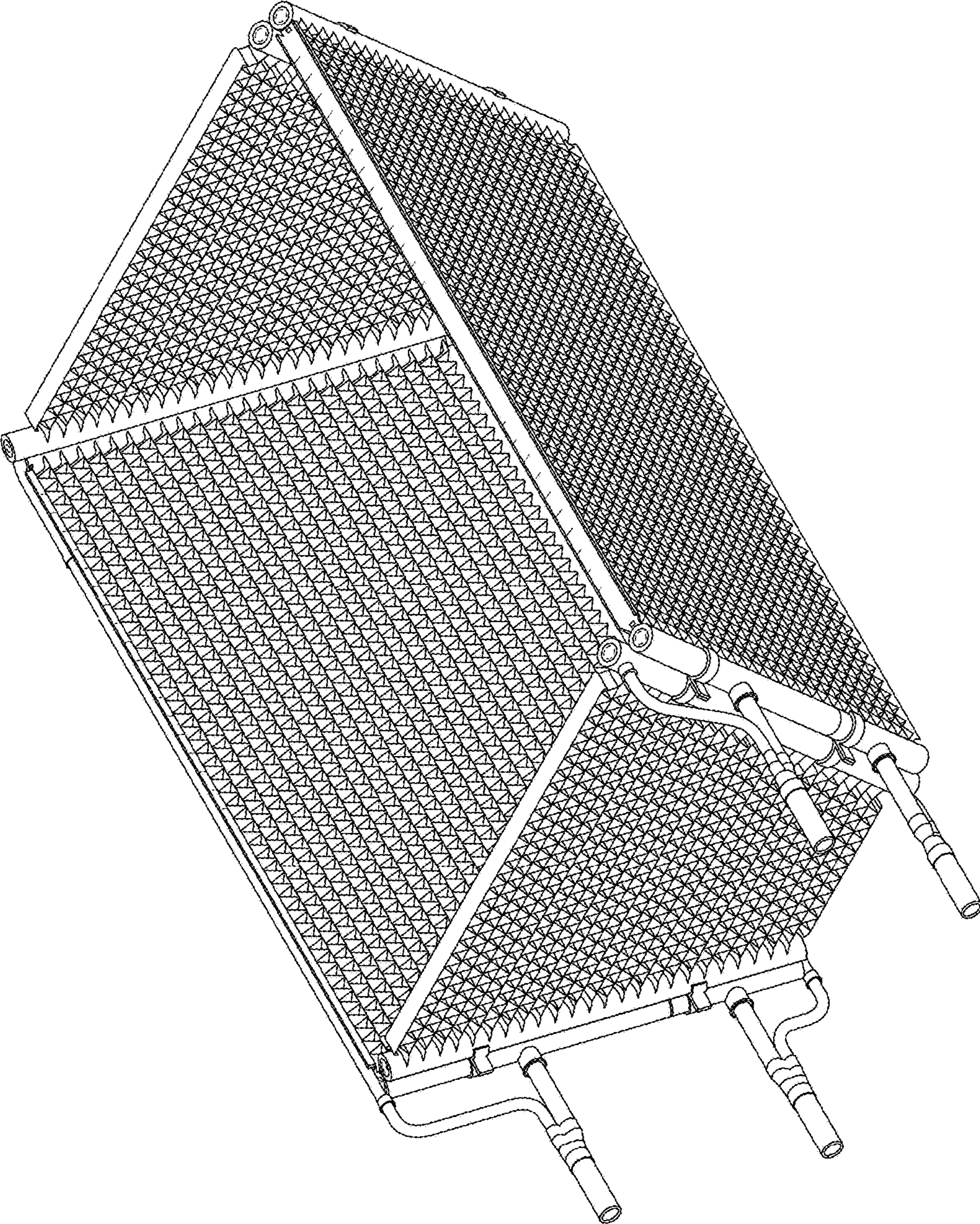


FIG. 8



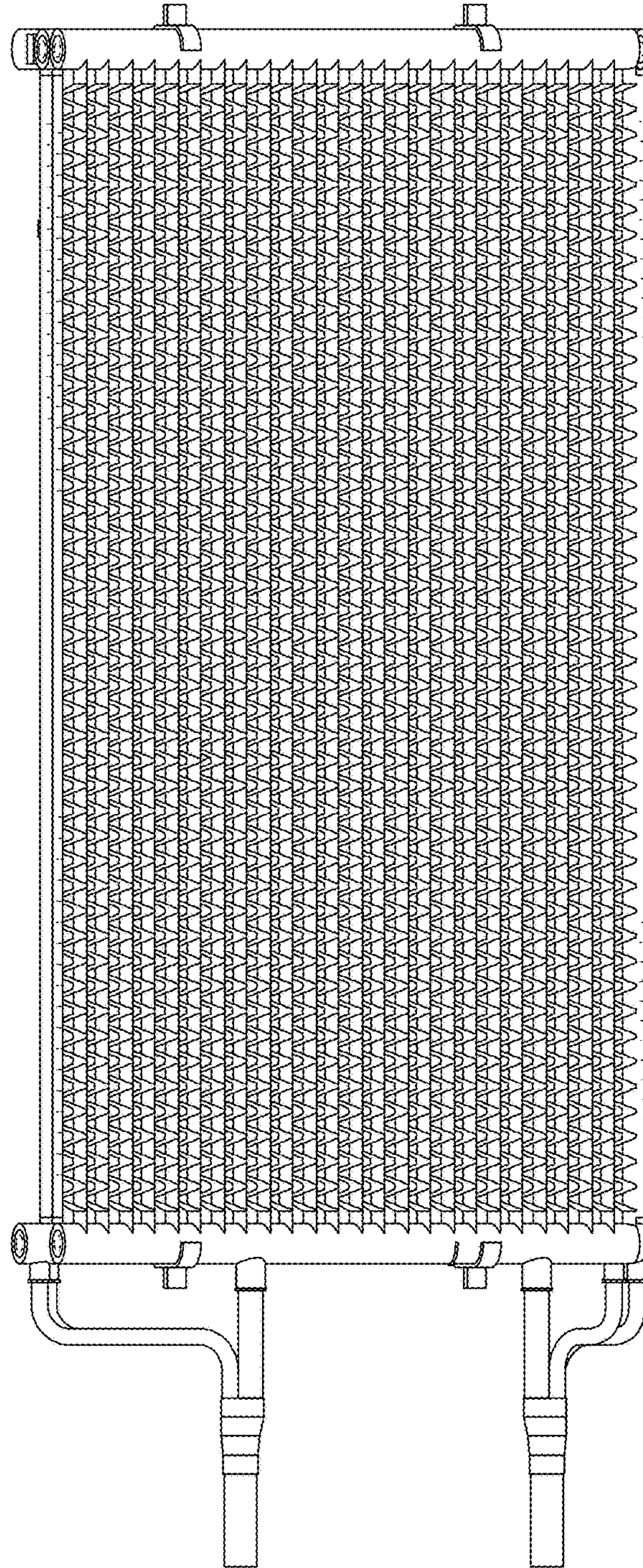


FIG. 9



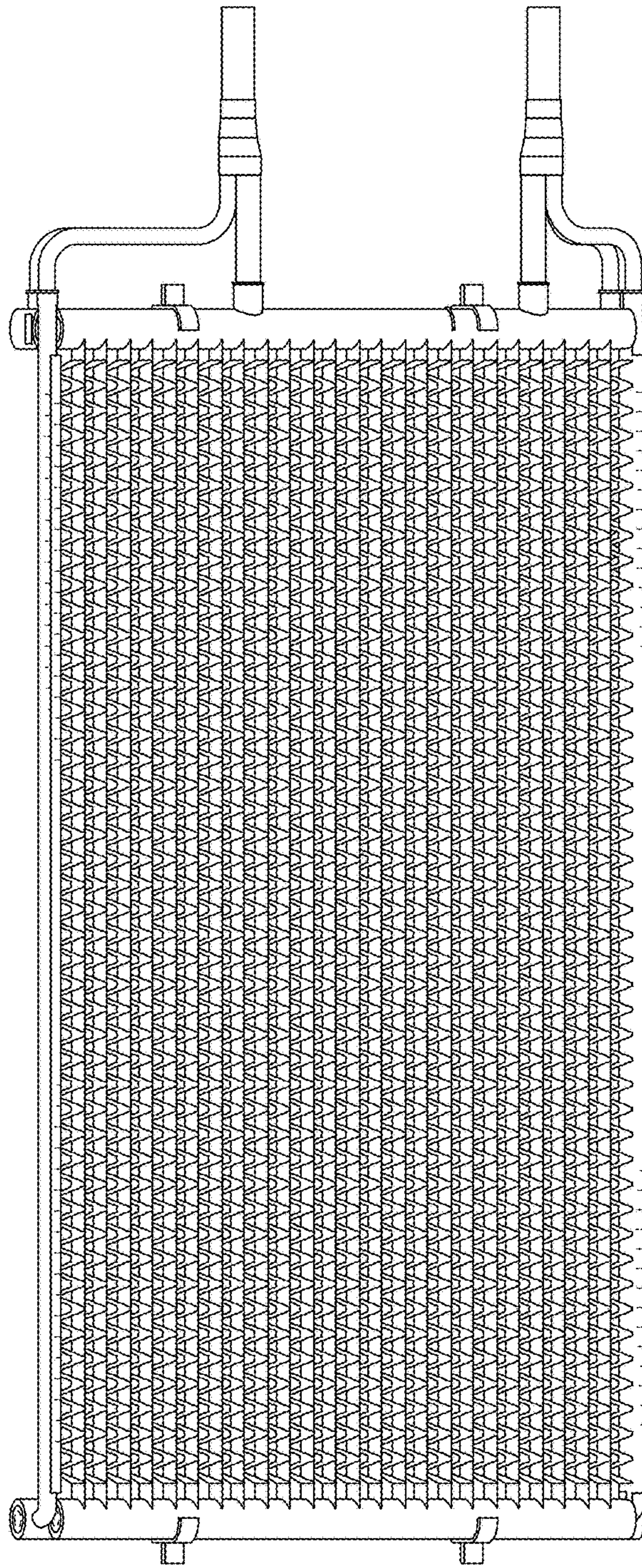


FIG. 10



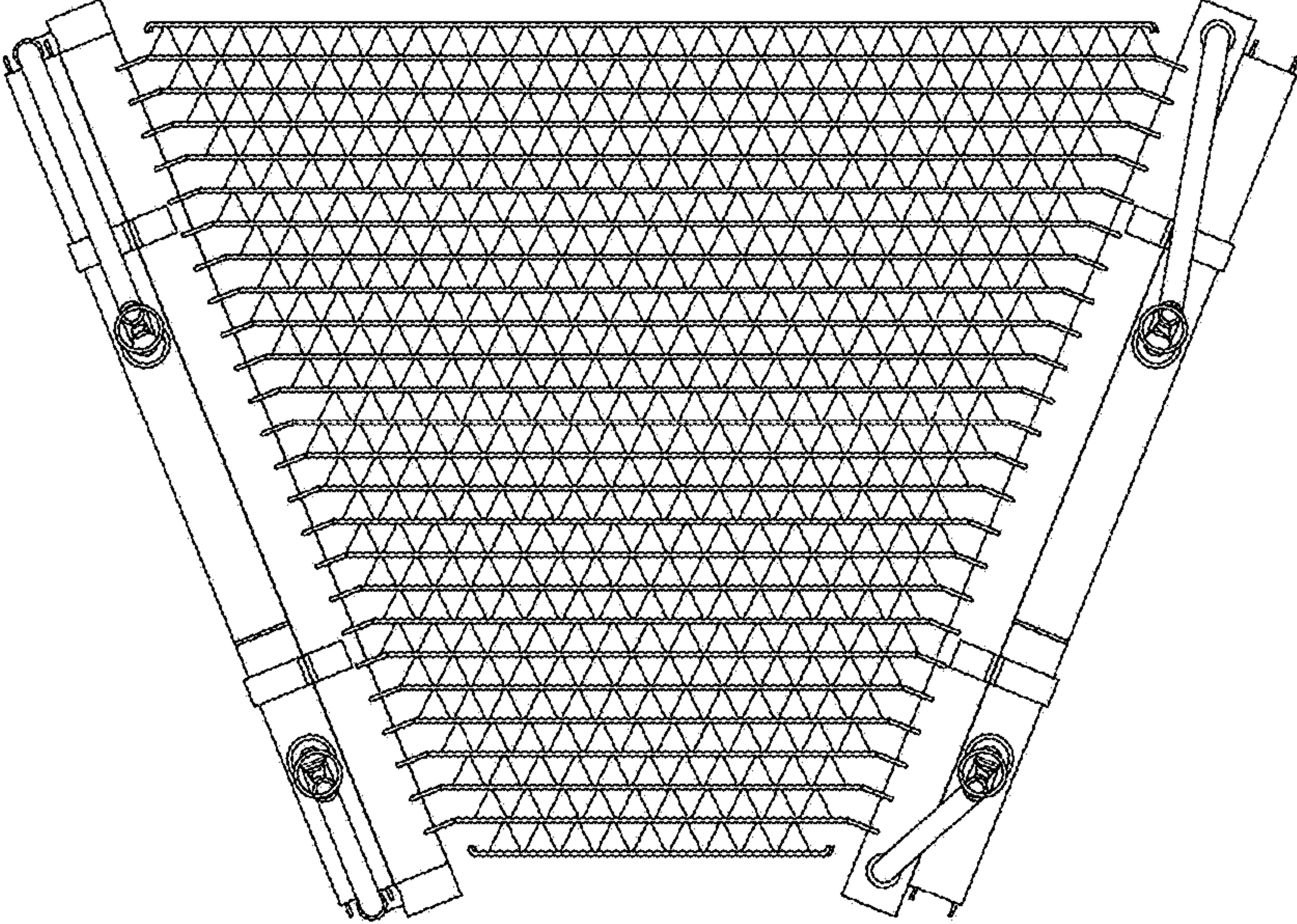


FIG. 11



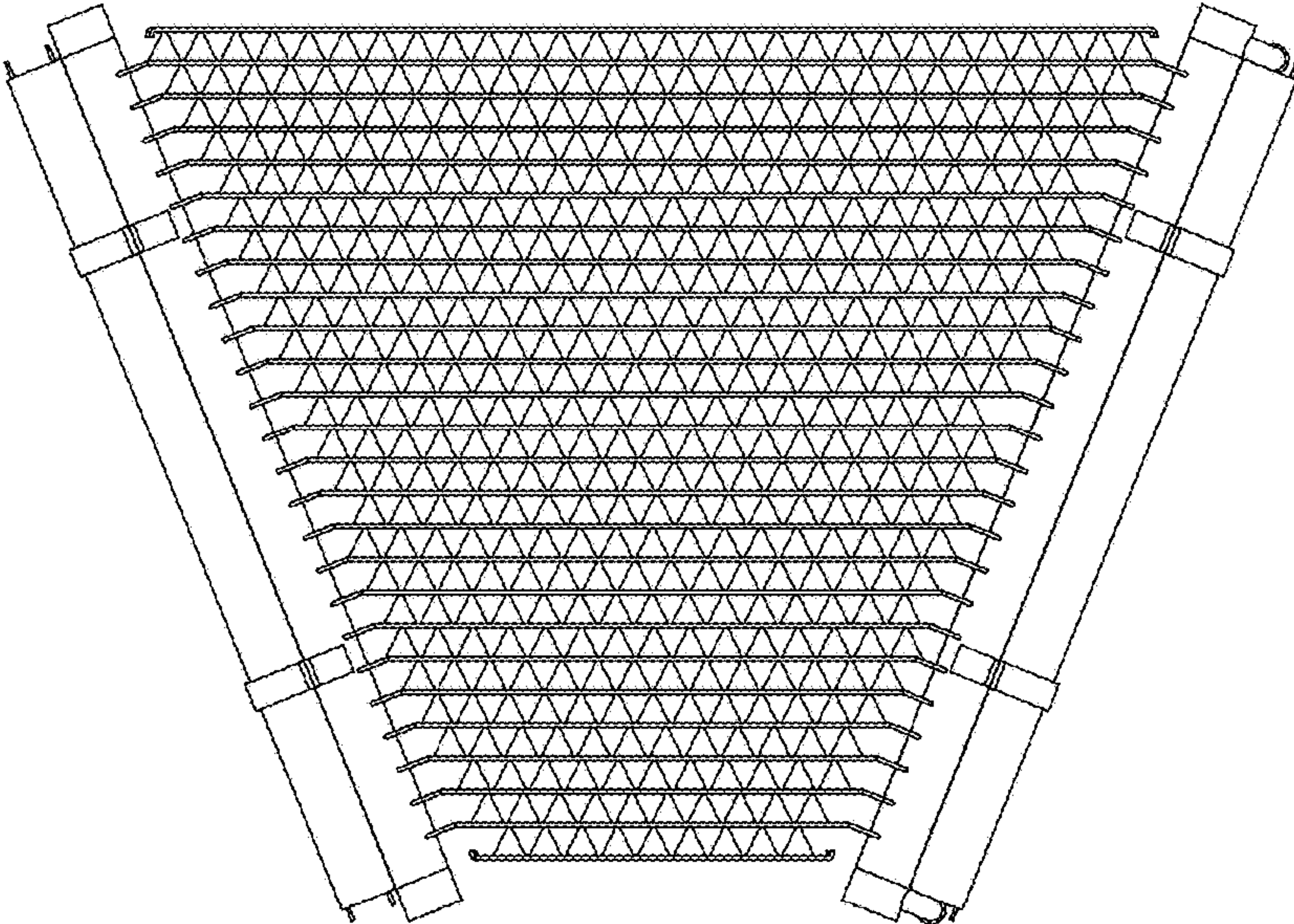


FIG. 12



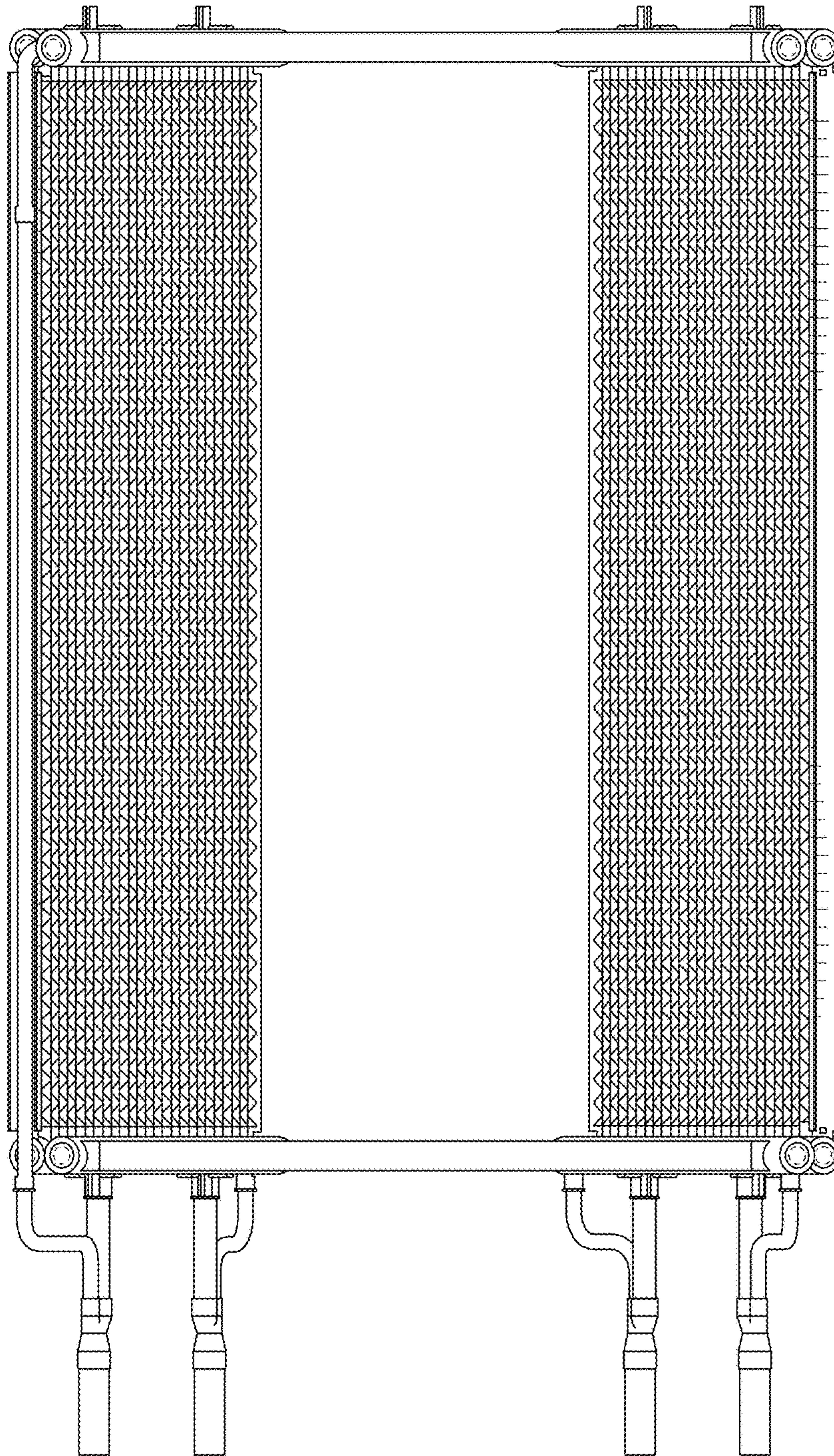


FIG. 13



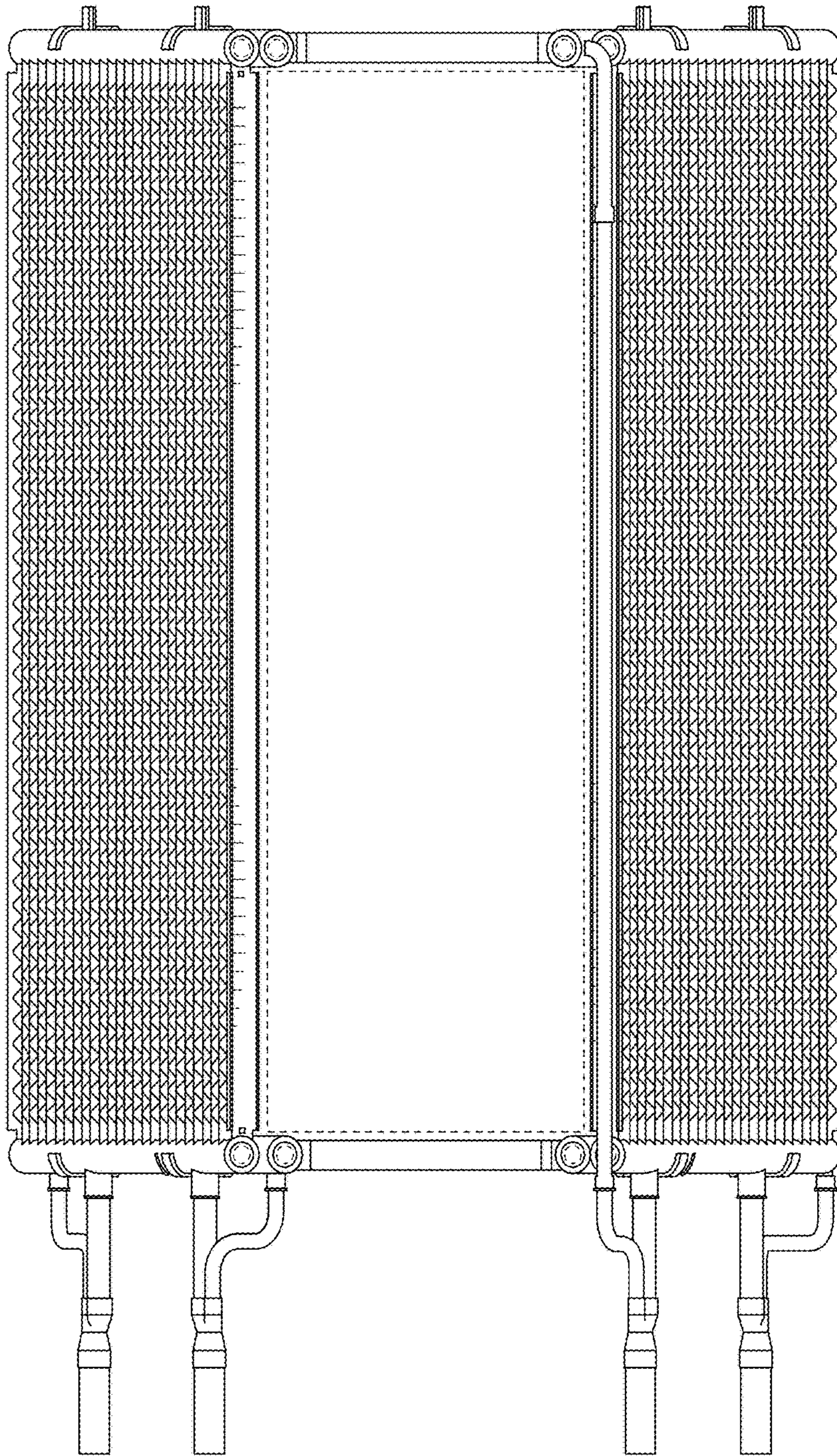


FIG. 14