



US00D852333S

(12) **United States Design Patent**
Sfredel et al.

(10) **Patent No.:** **US D852,333 S**
(45) **Date of Patent:** **** Jun. 25, 2019**

(54) **CLEAN-OUT CAP**
(71) Applicant: **Otilia Sfredel**, Chicago, IL (US)
(72) Inventors: **Costel Sfredel**, Chicago, IL (US);
Otilia Sfredel, Chicago, IL (US)
(**) Term: **15 Years**
(21) Appl. No.: **29/618,763**
(22) Filed: **Sep. 23, 2017**
(51) **LOC (11) Cl.** **23-01**
(52) **U.S. Cl.**
USPC **D23/260**
(58) **Field of Classification Search**
USPC D23/259-261; D8/349, 384, 387,
D8/396-397; 4/255.01-255.08, 256.1,
4/286, 293, 295; 138/89, 91; 137/15.01;
222/546, 552, 554, 562-563; 285/901
CPC .. E03C 1/30; E03C 1/222; E03C 1/286; F16L
55/07; F16L 55/1007; F16L 55/1015;
F16L 55/1108; F16L 55/1152; F16L
25/14
See application file for complete search history.

4,716,937 A * 1/1988 Hendrickson A62C 37/10
138/45
4,879,771 A * 11/1989 Piskula E03F 5/02
4/256.1
D375,786 S * 11/1996 Morris D23/260
D463,537 S * 9/2002 Koza D23/233
D482,761 S * 11/2003 Gotoh D23/233
6,992,259 B1 * 1/2006 Cantolino H01H 35/18
200/84 R
8,042,576 B2 * 10/2011 Peterson F16L 55/105
138/89
D703,519 S * 4/2014 Senseney D8/382
D789,998 S * 6/2017 Harder D15/138
D839,400 S * 1/2019 Wolff D23/262
2012/0074687 A1 * 3/2012 Mitchell F16L 15/00
285/179
2017/0370079 A1 * 12/2017 Sfredel E03C 1/30
2018/0347162 A1 * 12/2018 Sfredel E03C 1/1222

* cited by examiner

Primary Examiner — Eric L Goodman
Assistant Examiner — Amy C Wierenga
(74) *Attorney, Agent, or Firm* — Fraline Allgaier

(57) **CLAIM**

The ornamental design for a clean-out cap, as shown and described.

(56) **References Cited**

U.S. PATENT DOCUMENTS

1,587,581 A * 6/1926 Frautz F23J 3/02
138/95
3,895,466 A * 7/1975 Melton F16L 55/11
137/800
3,936,892 A * 2/1976 Miller E03C 1/286
4/255.01
4,614,065 A * 9/1986 Papp E02D 29/1409
404/26

DESCRIPTION

FIG. 1 is a front perspective view of the clean-out cap showing my new design.
FIG. 2 is a back perspective view thereof;
FIG. 3 is a left side view thereof;
FIG. 4 is a right side view thereof; and,
FIG. 5 is a bottom perspective view thereof.

1 Claim, 5 Drawing Sheets

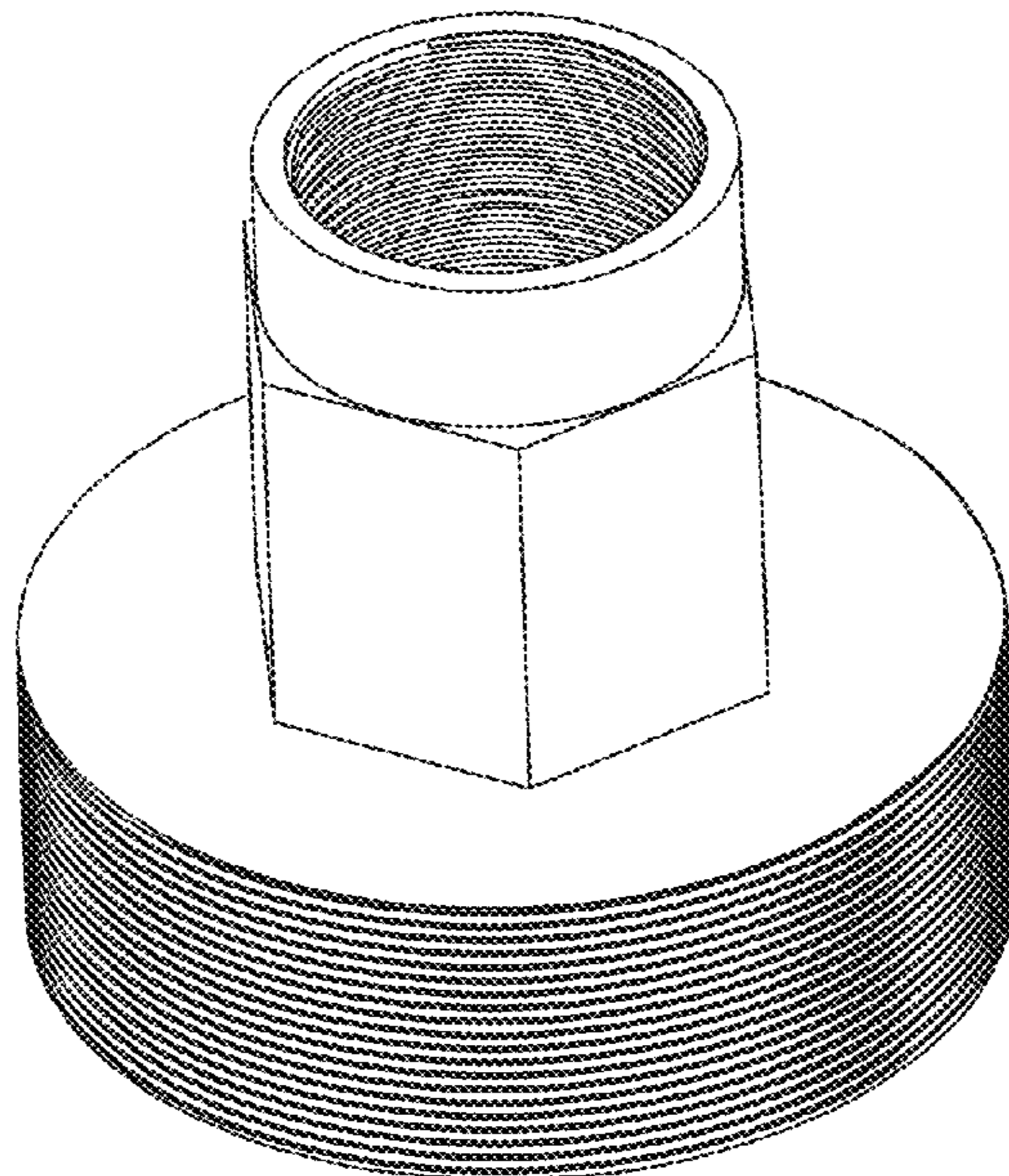


FIG. 1

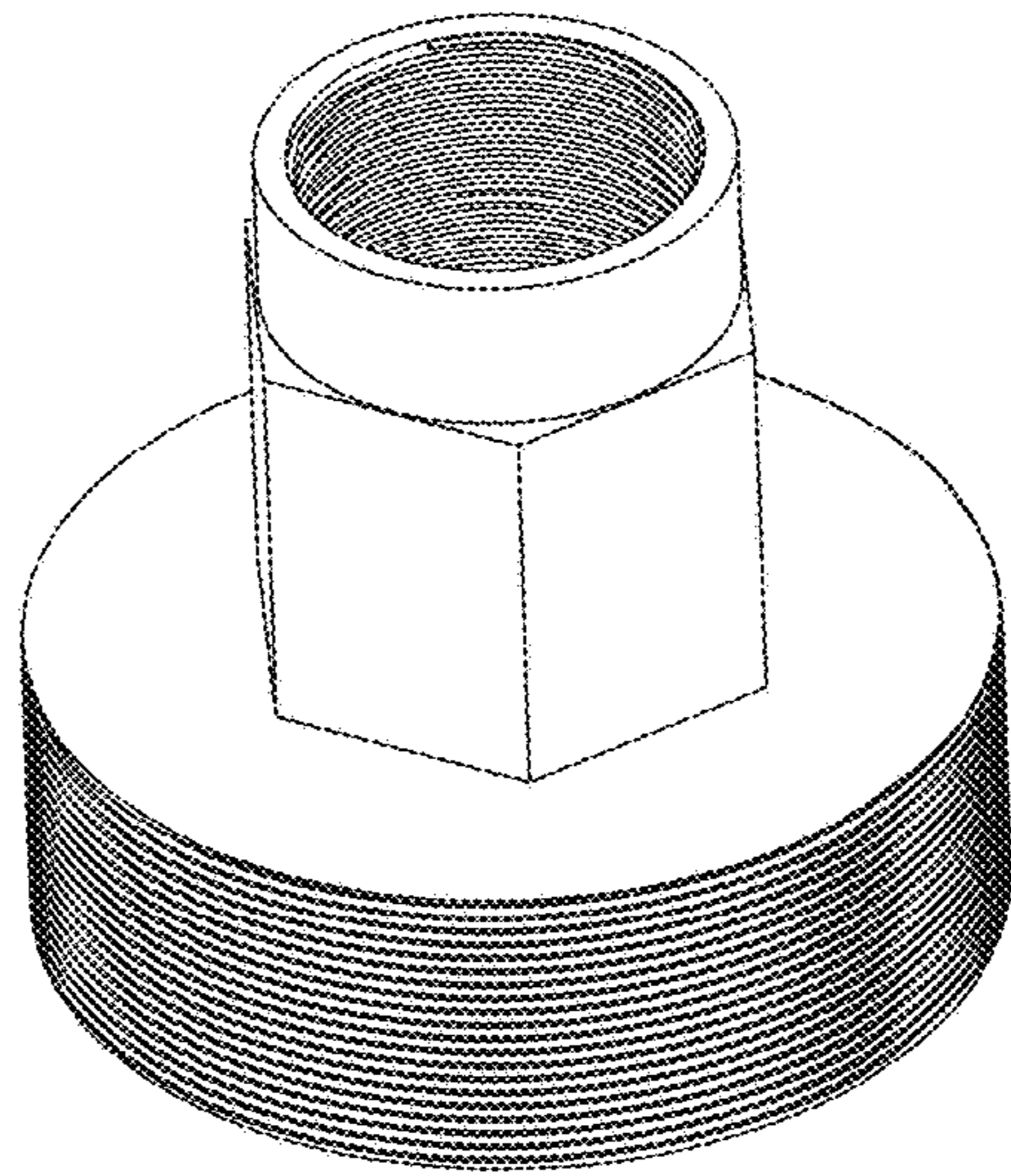


FIG. 2

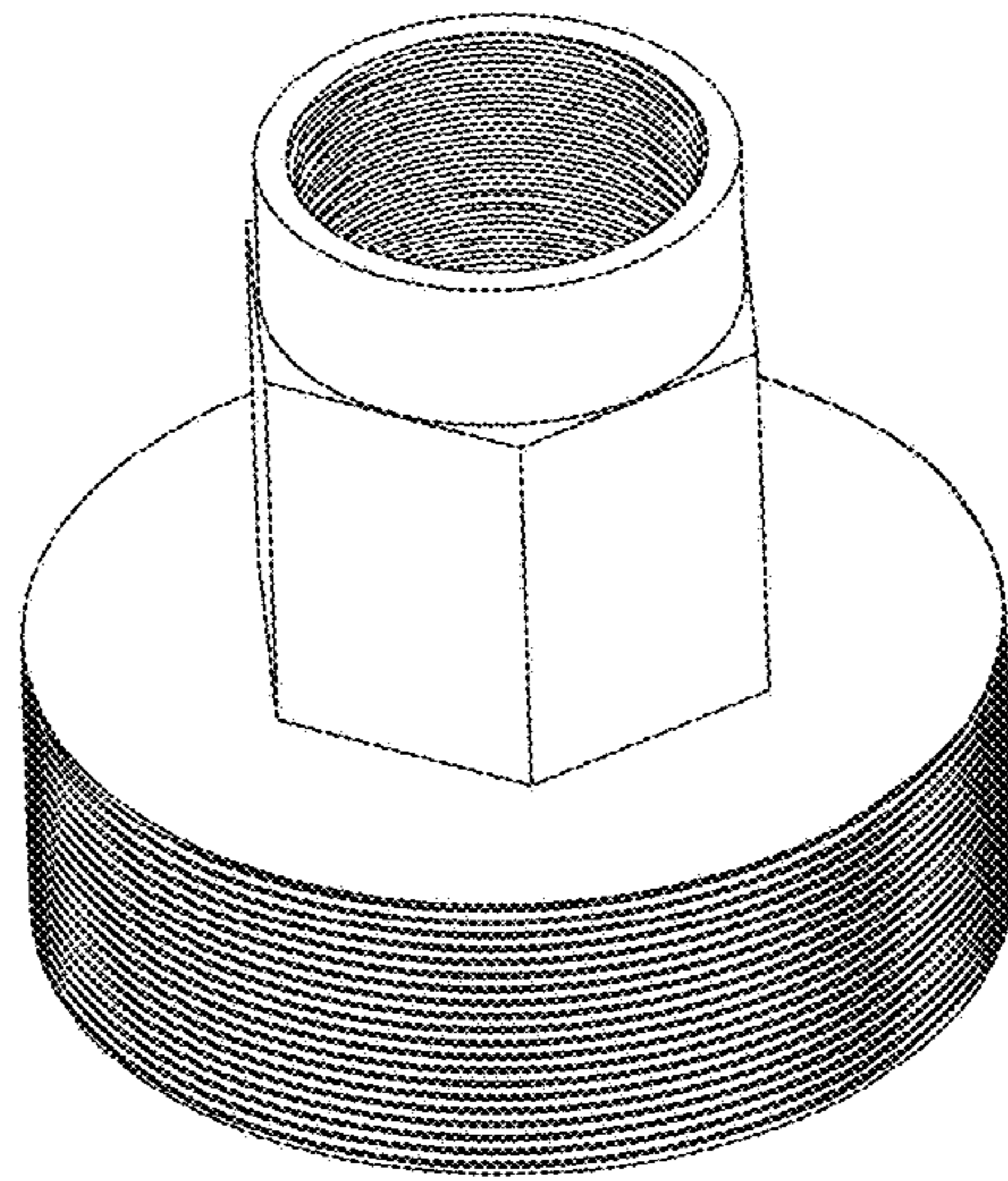


FIG. 3

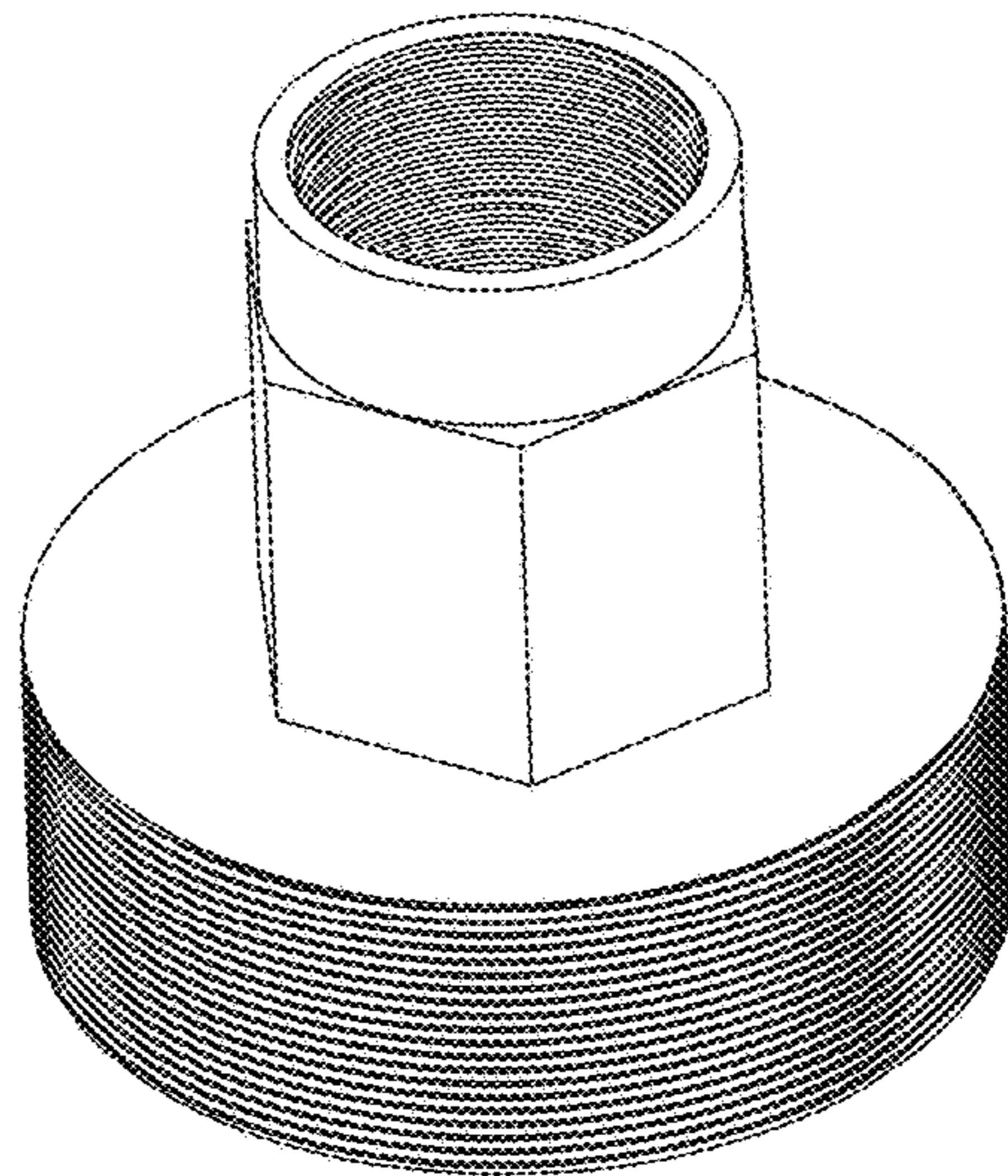


FIG. 4

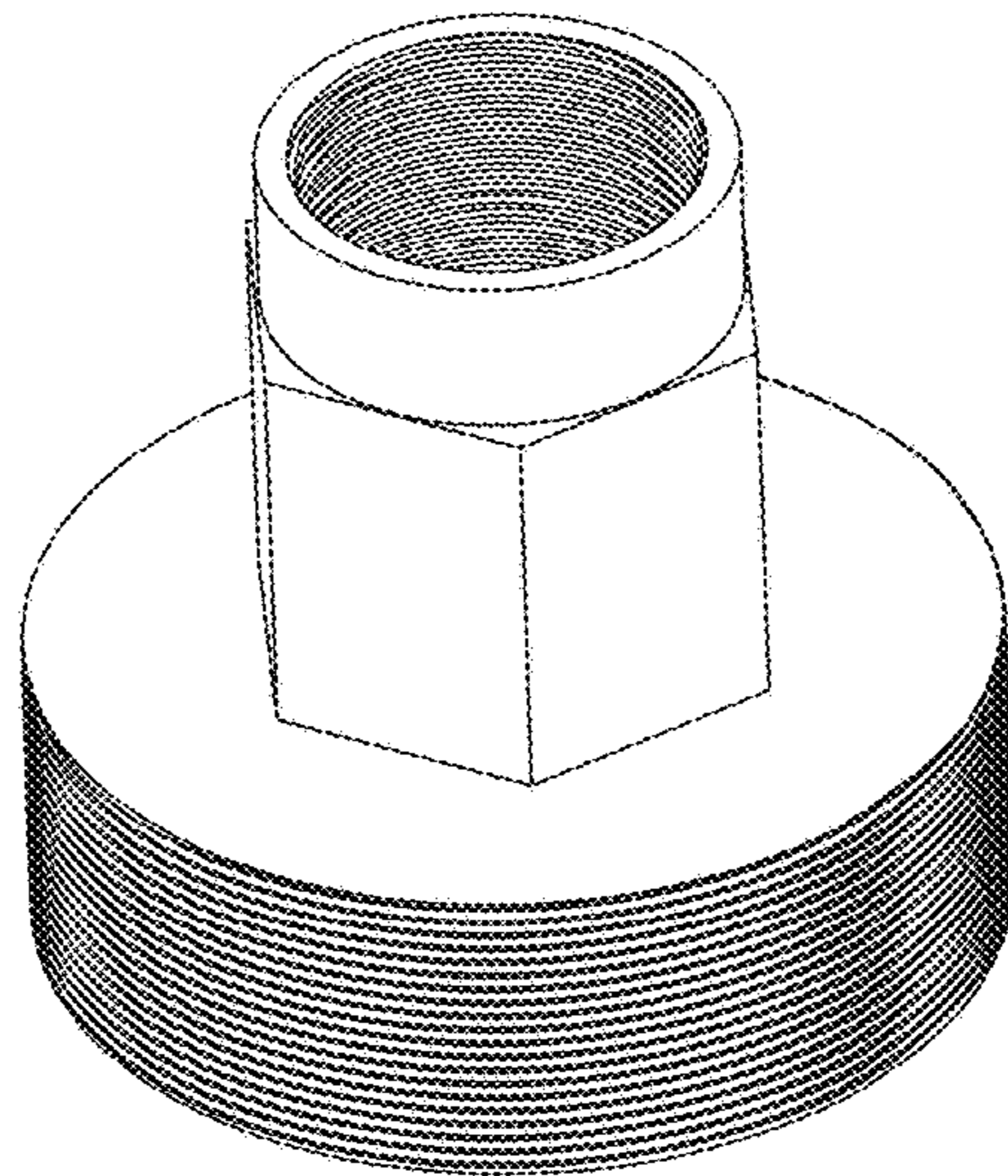


FIG. 5

