



US00D852331S

(12) **United States Design Patent**
Burton

(10) **Patent No.:** **US D852,331 S**
(45) **Date of Patent:** **** Jun. 25, 2019**

(54) **FAUCET**
(71) Applicant: **Mark Burton**, Lebanon, OH (US)
(72) Inventor: **Mark Burton**, Lebanon, OH (US)
(**) Term: **15 Years**

D304,070 S * 10/1989 Hughes D23/245
D314,227 S * 1/1991 Christ D23/215
D328,620 S * 8/1992 Maple D21/483
D434,110 S * 11/2000 Kim D23/236
D489,432 S * 5/2004 Lammel D23/238
D631,134 S * 1/2011 German D23/234
D690,401 S * 9/2013 Ritchel D23/256
D803,986 S * 11/2017 Schoenherr D23/238

(21) Appl. No.: **29/673,671**
(22) Filed: **Dec. 17, 2018**

* cited by examiner

Related U.S. Application Data

Primary Examiner — Robert A Delehanty
(74) *Attorney, Agent, or Firm* — Wood Herron & Evans LLP

(62) Division of application No. 29/601,952, filed on Apr. 27, 2017.
(51) **LOC (11) Cl.** **23-01**
(52) **U.S. Cl.**
USPC **D23/256**
(58) **Field of Classification Search**
USPC D23/238–243, 249–252, 254–257, 234,
D23/245; D8/307–308; D21/483
CPC E03C 1/0412; Y10T 137/9464
See application file for complete search history.

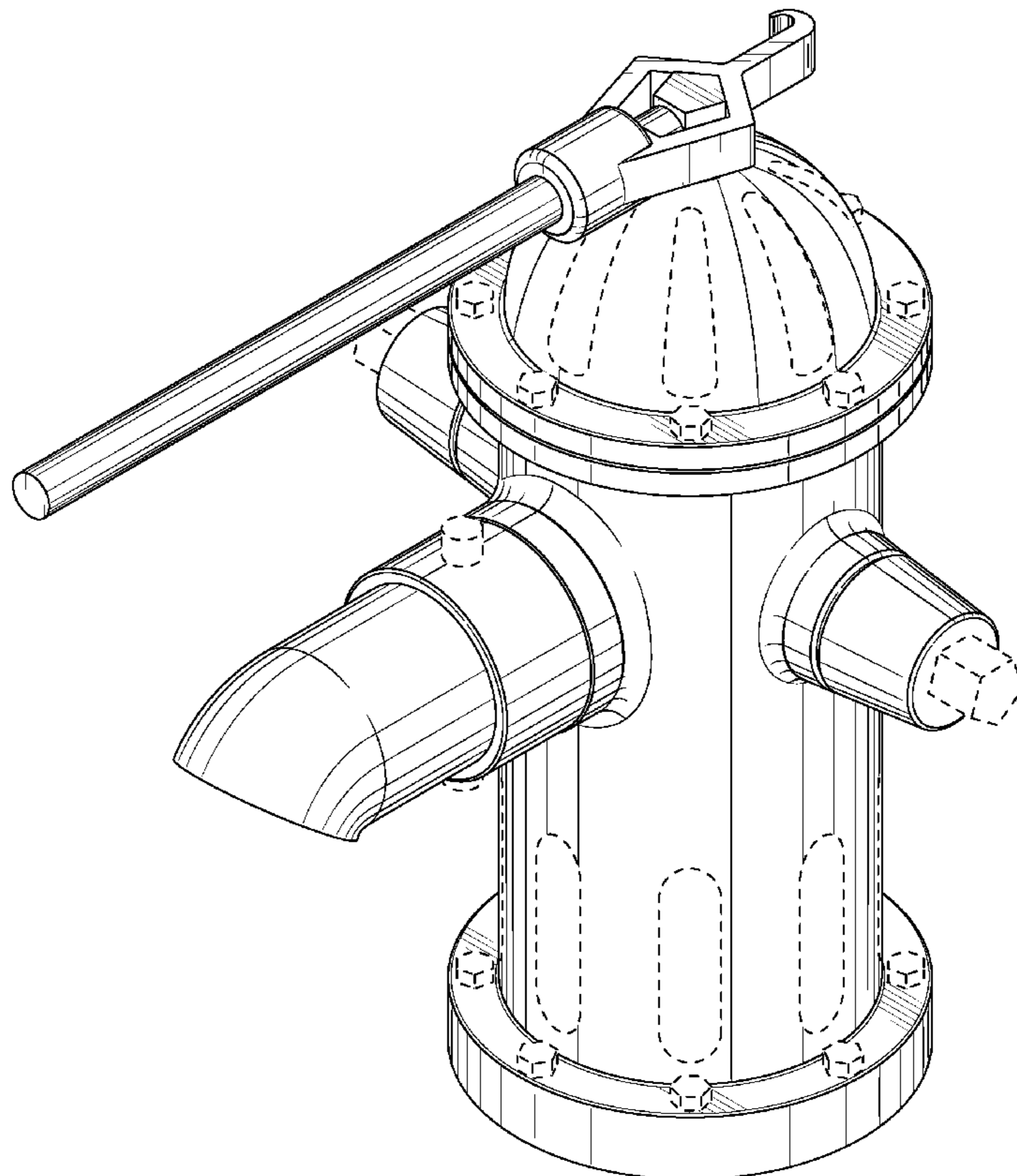
(57) **CLAIM**
The ornamental design for a faucet, as shown and described.

DESCRIPTION

FIG. 1 is a front top isometric view of my new faucet design; FIG. 2 is a front elevation view thereof; FIG. 3 is a left-side elevation view thereof; FIG. 4 is a rear elevation view thereof; FIG. 5 is a right-side elevation view thereof; FIG. 6 is a top plan view thereof; and, FIG. 7 is a bottom view thereof.
The broken dash lines shown in the drawing views represent non-claimed subject matter and form no part of the claimed design.

(56) **References Cited**
U.S. PATENT DOCUMENTS
D216,791 S * 3/1970 Woodford D23/234
D235,643 S * 7/1975 Zimmerman D23/245

1 Claim, 7 Drawing Sheets



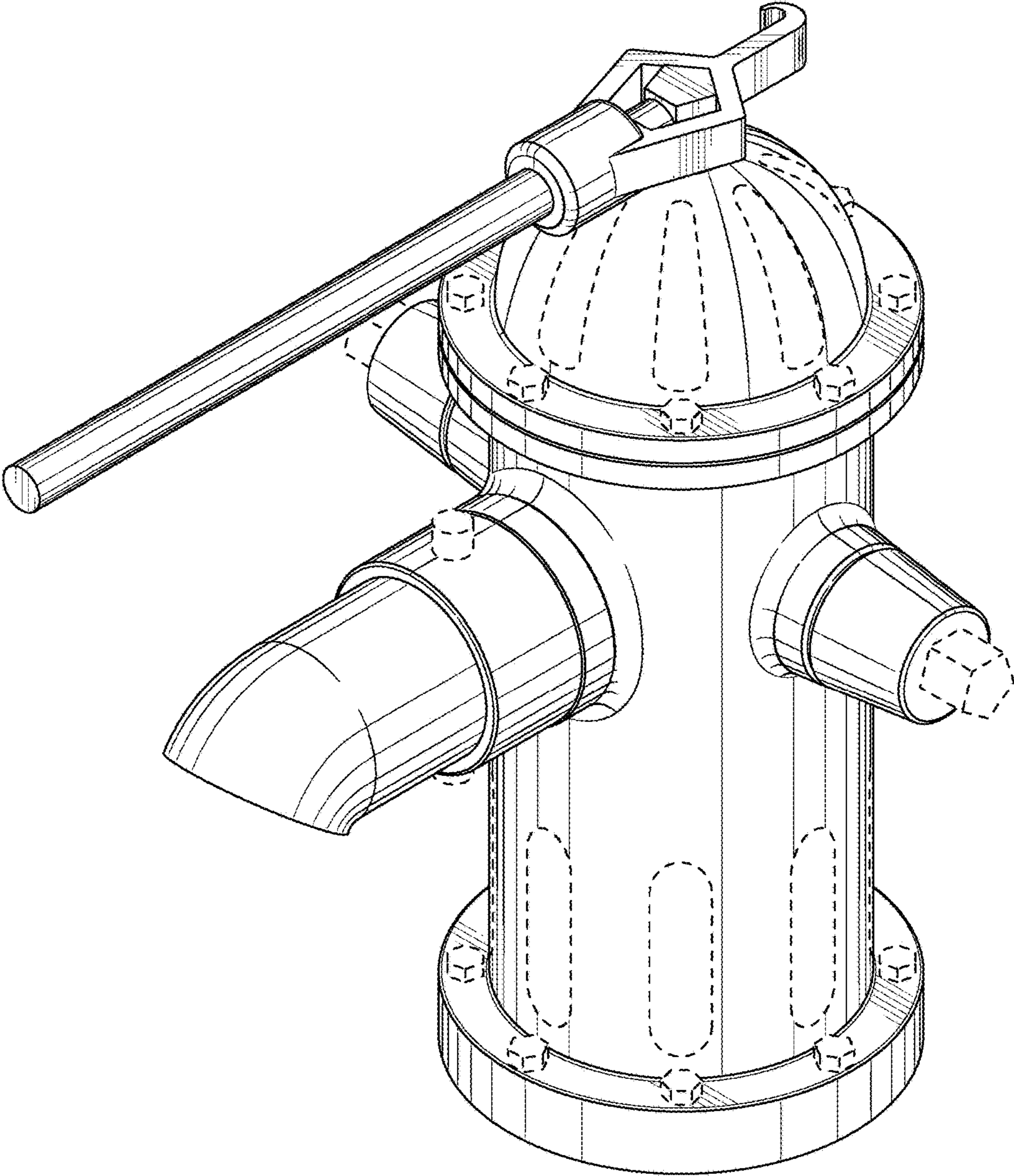


FIG. 1

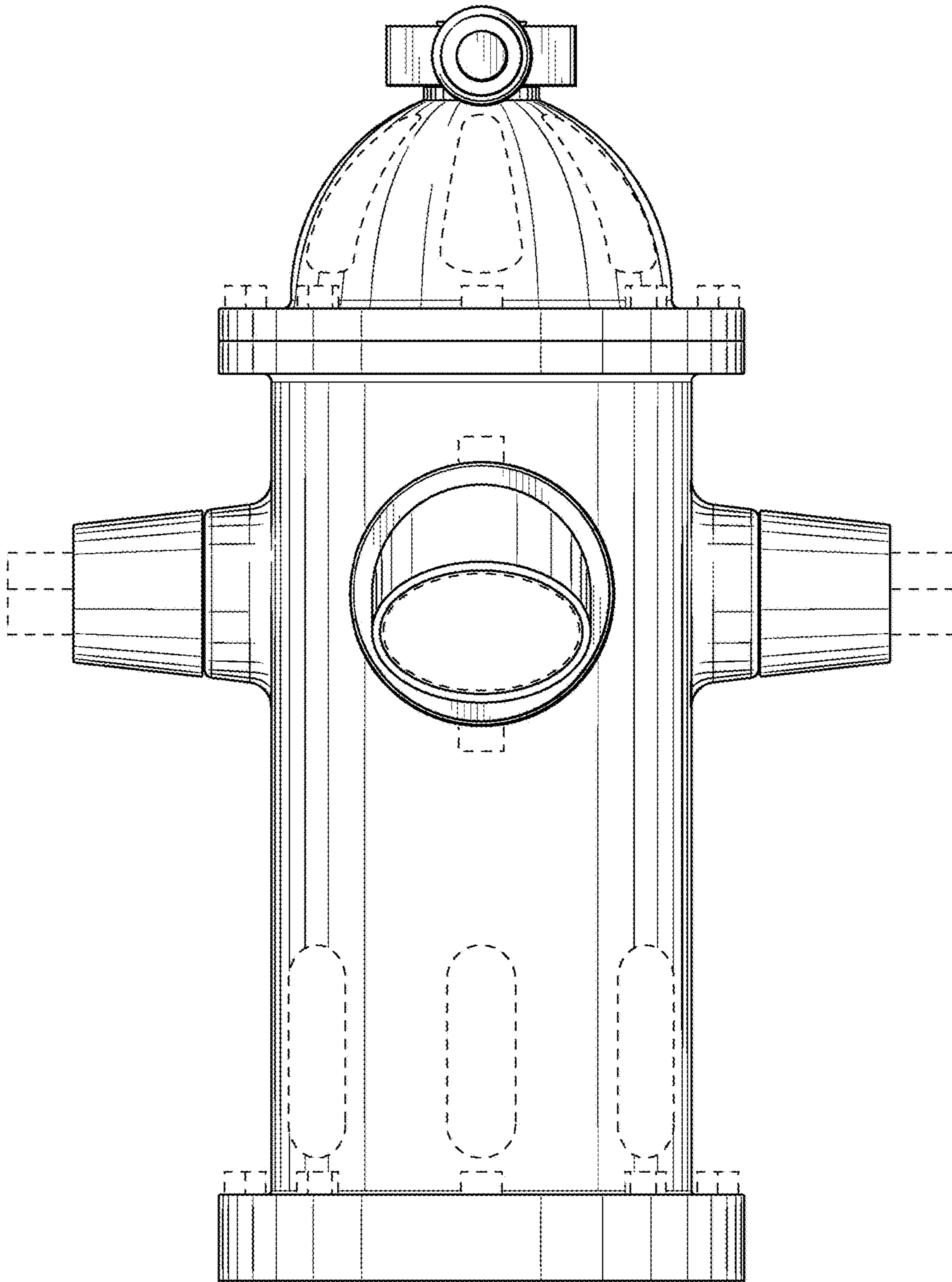


FIG. 2

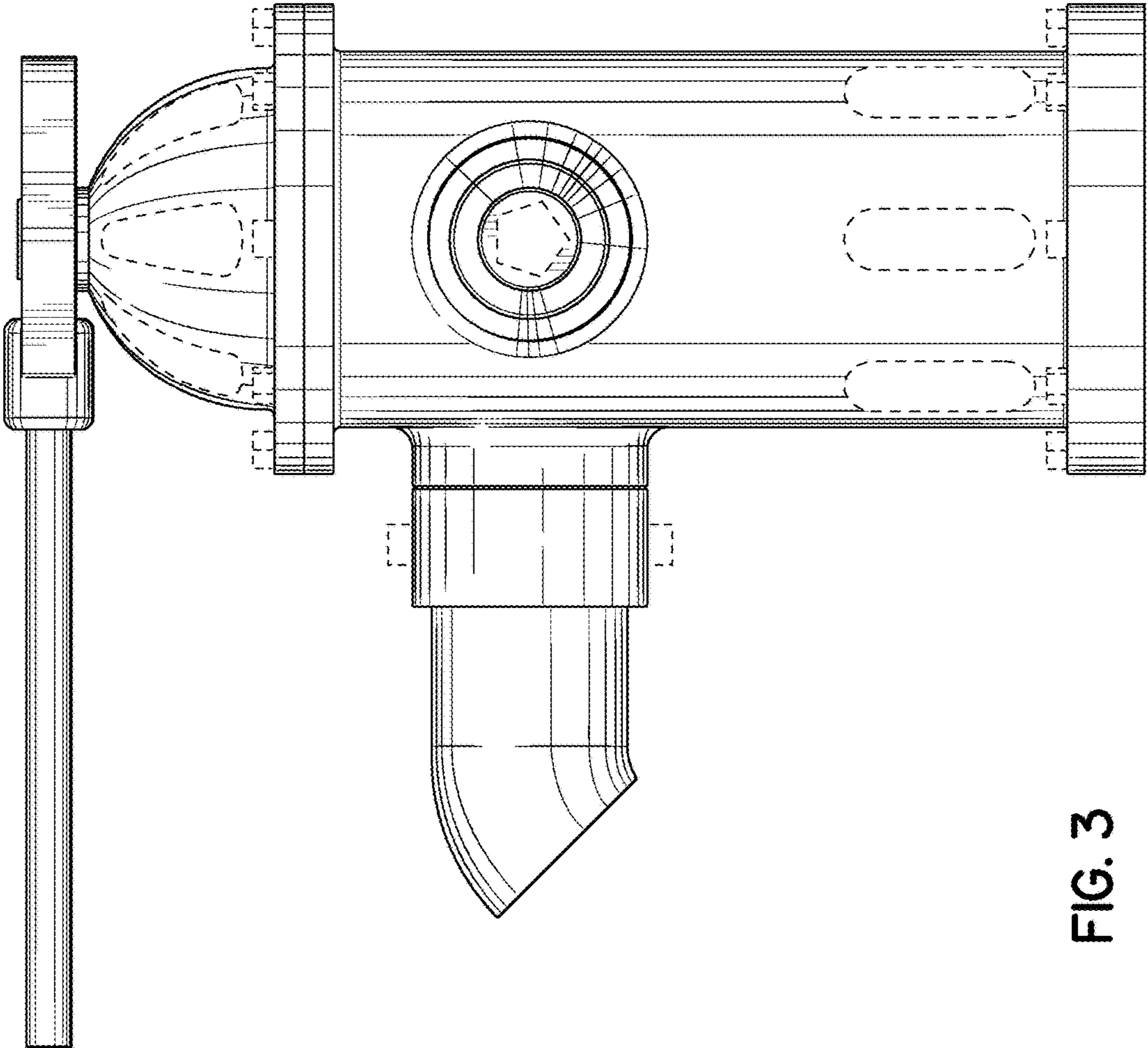


FIG. 3

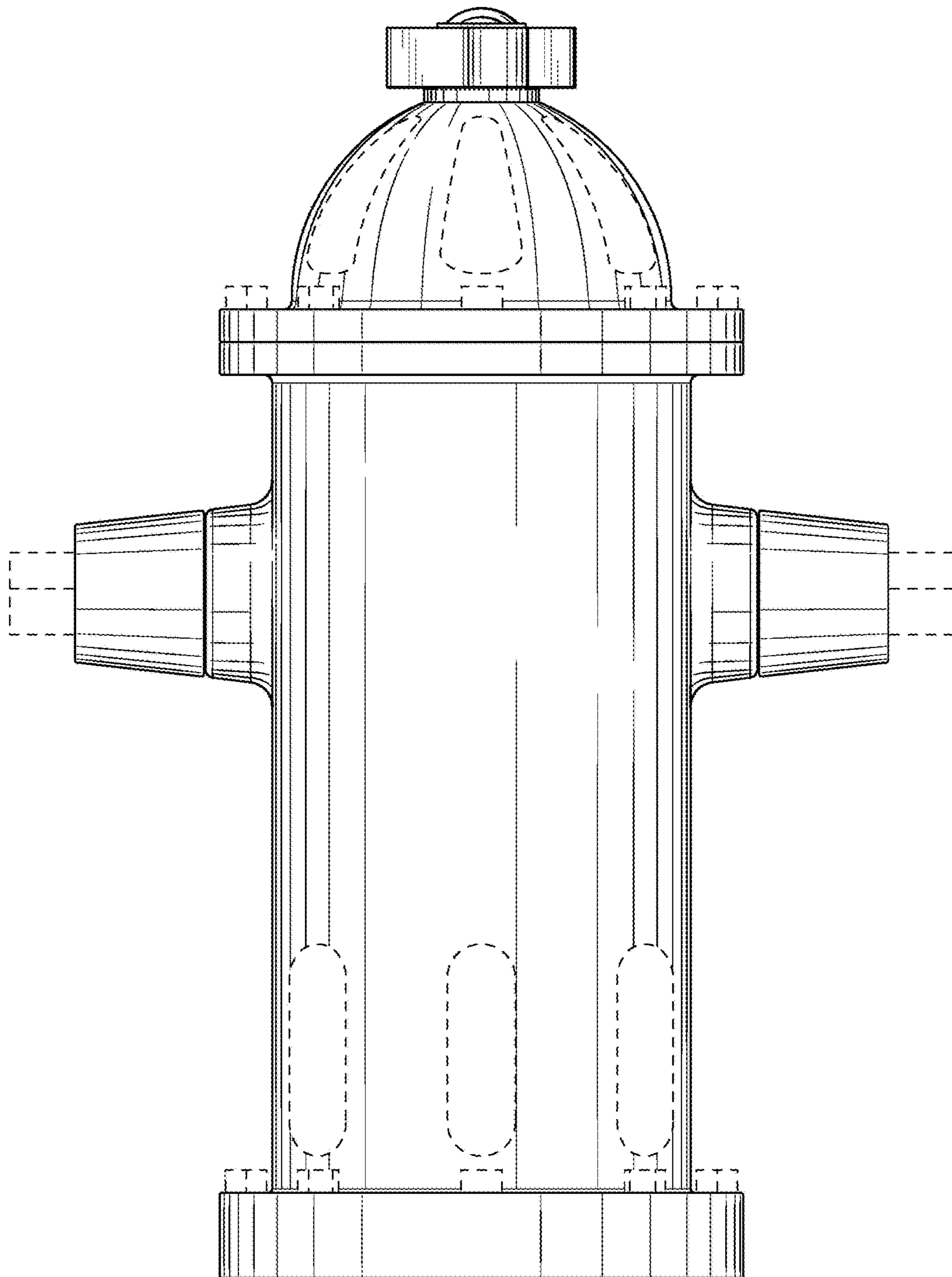


FIG. 4

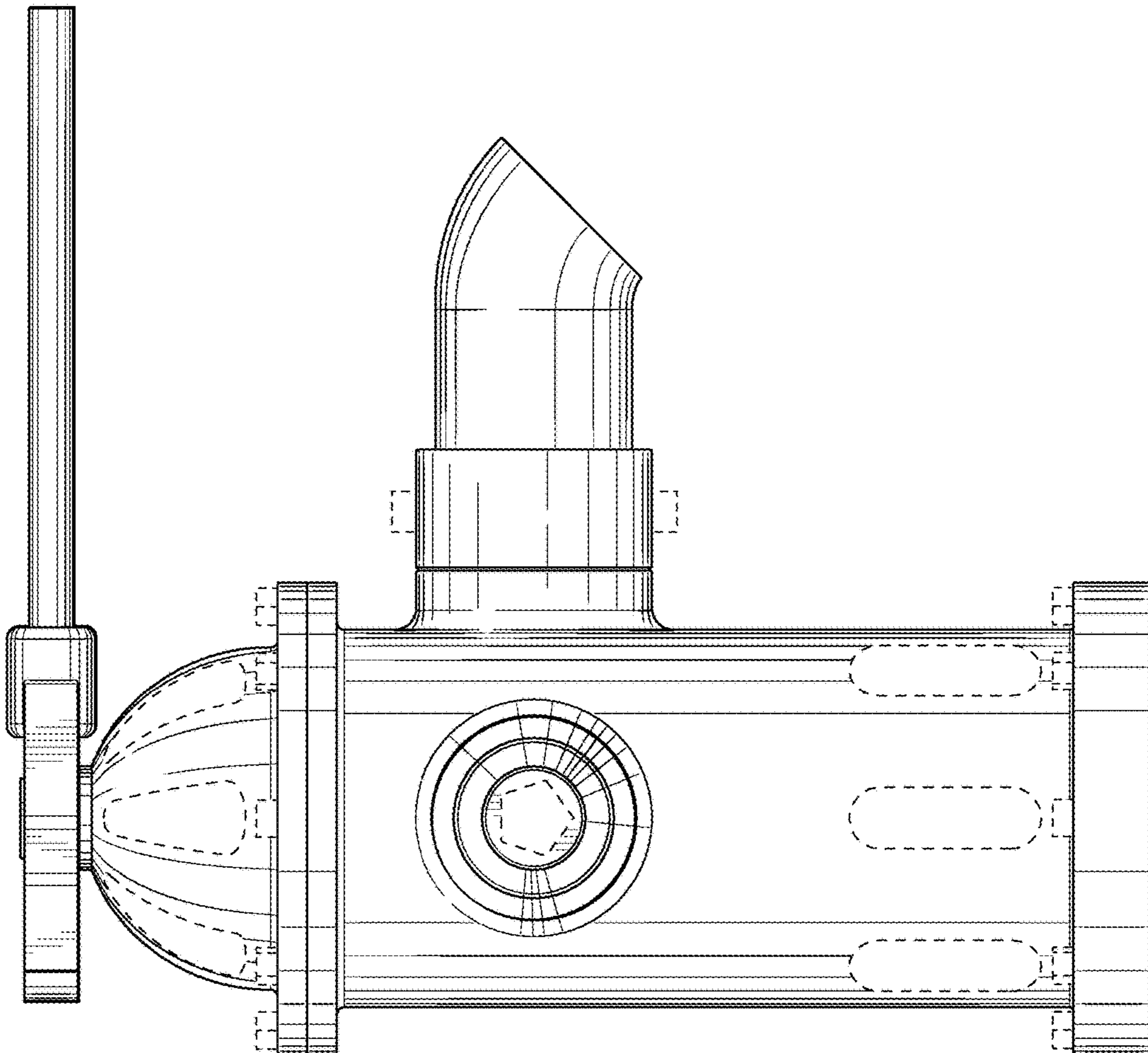


FIG. 5

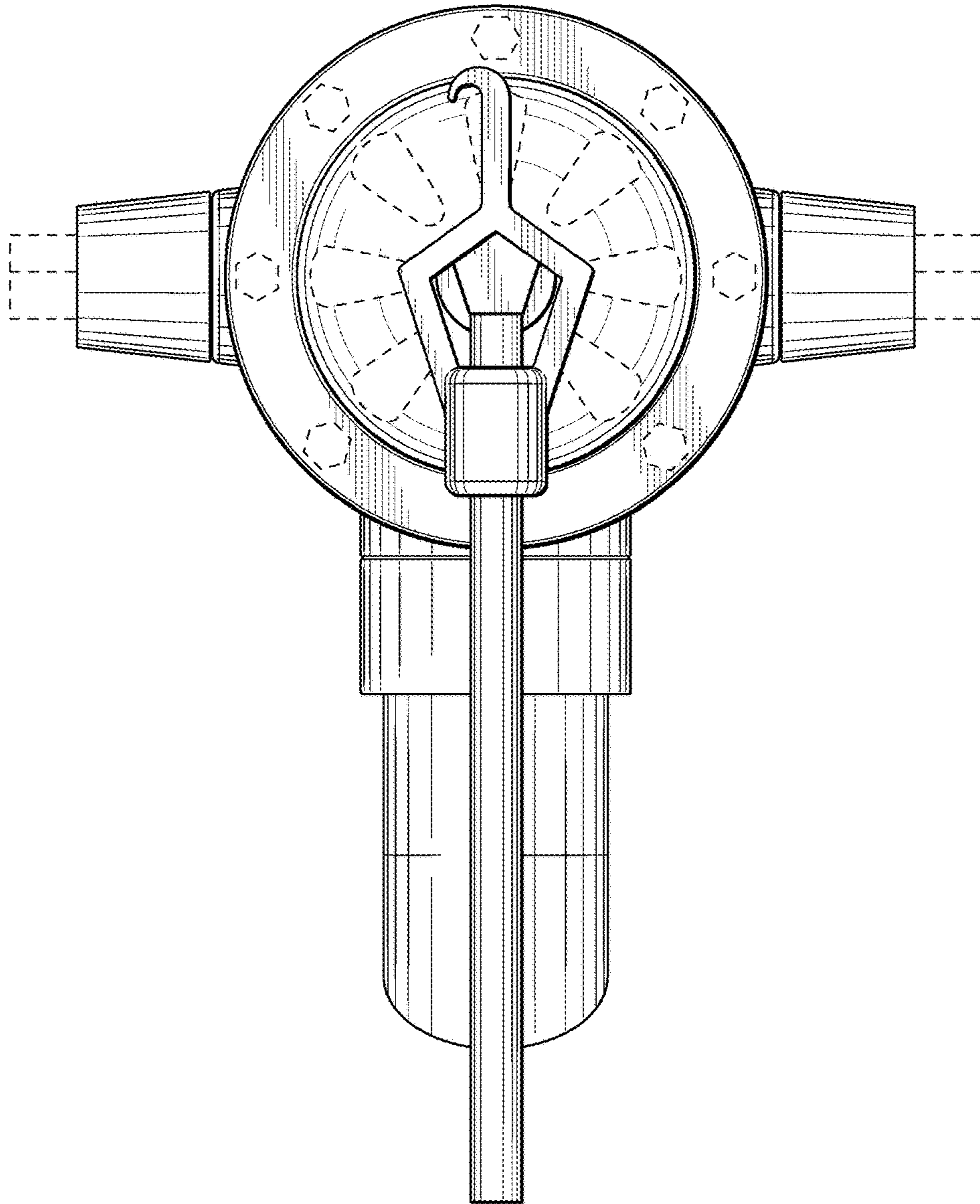


FIG. 6

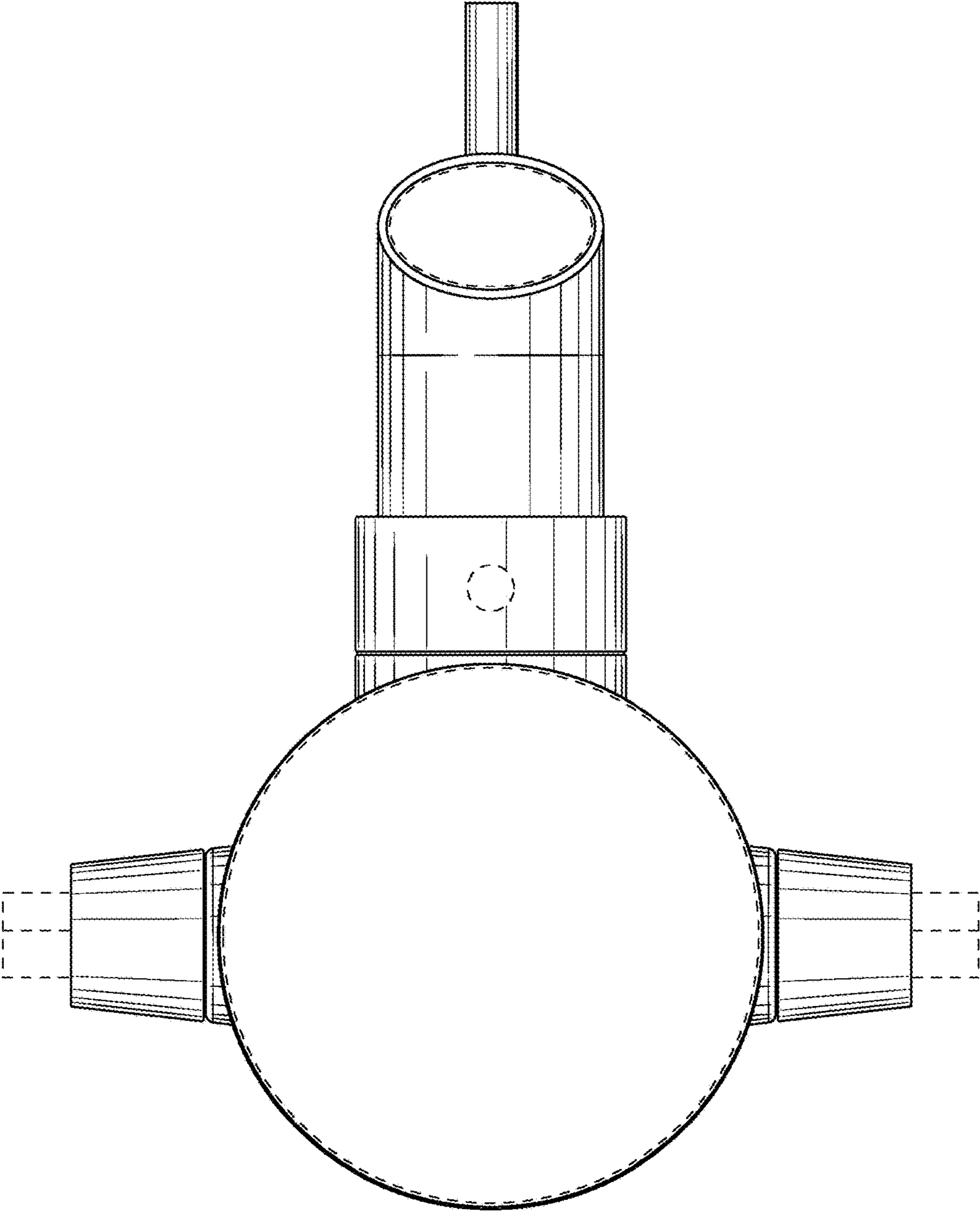


FIG. 7