



US00D852330S

(12) **United States Design Patent**
Garland

(10) **Patent No.:** **US D852,330 S**

(45) **Date of Patent:** **** Jun. 25, 2019**

(54) **FAUCET HANDLE**

(71) Applicant: **DELTA FAUCET COMPANY,**
Indianapolis, IN (US)

(72) Inventor: **Celine Kwok Garland,** Zionsville, IN
(US)

(73) Assignee: **DELTA FAUCET COMPANY,**
Indianapolis, IN (US)

(**) Term: **15 Years**

(21) Appl. No.: **29/632,465**

(22) Filed: **Jan. 8, 2018**

(51) **LOC (11) Cl.** **23-01**

(52) **U.S. Cl.**
USPC **D23/252**

(58) **Field of Classification Search**
USPC D23/238–243, 249–250, 252, 254–255,
D23/257, 213, 223, 226, 229; D8/300,
D8/307–308
CPC Y10T 137/9464; Y10T 137/6064; Y10T
137/6014; E03C 1/04; E03C 1/02; E03C
1/040404; E03C 1/0409; E03C 1/0412
See application file for complete search history.

(56) **References Cited**

U.S. PATENT DOCUMENTS

D524,423 S * 7/2006 Barry D23/252
D532,486 S * 11/2006 Barry D23/252

D685,880 S * 7/2013 Fritz D23/242
D686,705 S * 7/2013 Fritz D23/252
D793,538 S * 8/2017 Fritz D23/252
D797,245 S * 9/2017 Downey D23/242
D810,884 S * 2/2018 Garland D23/252

* cited by examiner

Primary Examiner — Robert A Delehanty

(74) *Attorney, Agent, or Firm* — Edgar A. Zarins; Nirav
D. Parikh

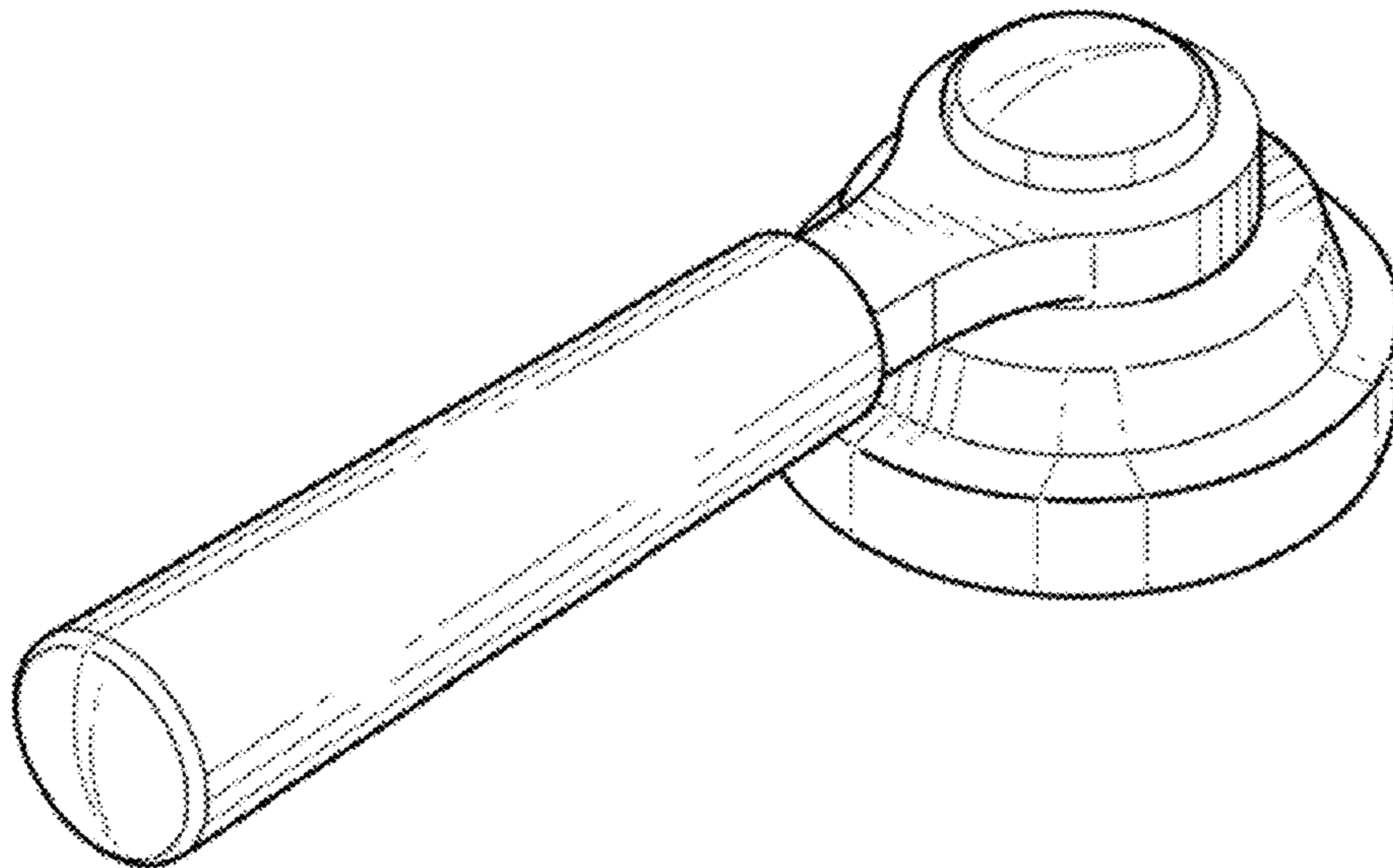
(57) **CLAIM**

The ornamental design for a faucet handle, as shown and
described.

DESCRIPTION

FIG. 1 is a perspective view of a faucet handle showing my
new design;
FIG. 2 is a top plan view thereof;
FIG. 3 is a first side view thereof, the opposite side being a
mirror image of the side shown;
FIG. 4 is a bottom view thereof;
FIG. 5 is a first end view thereof; and,
FIG. 6 is a second end view thereof.
The broken-line disclosure in the view represents a portion
of the faucet handle in which the claimed design is embod-
ied, but which forms no part of the claimed design.

1 Claim, 2 Drawing Sheets



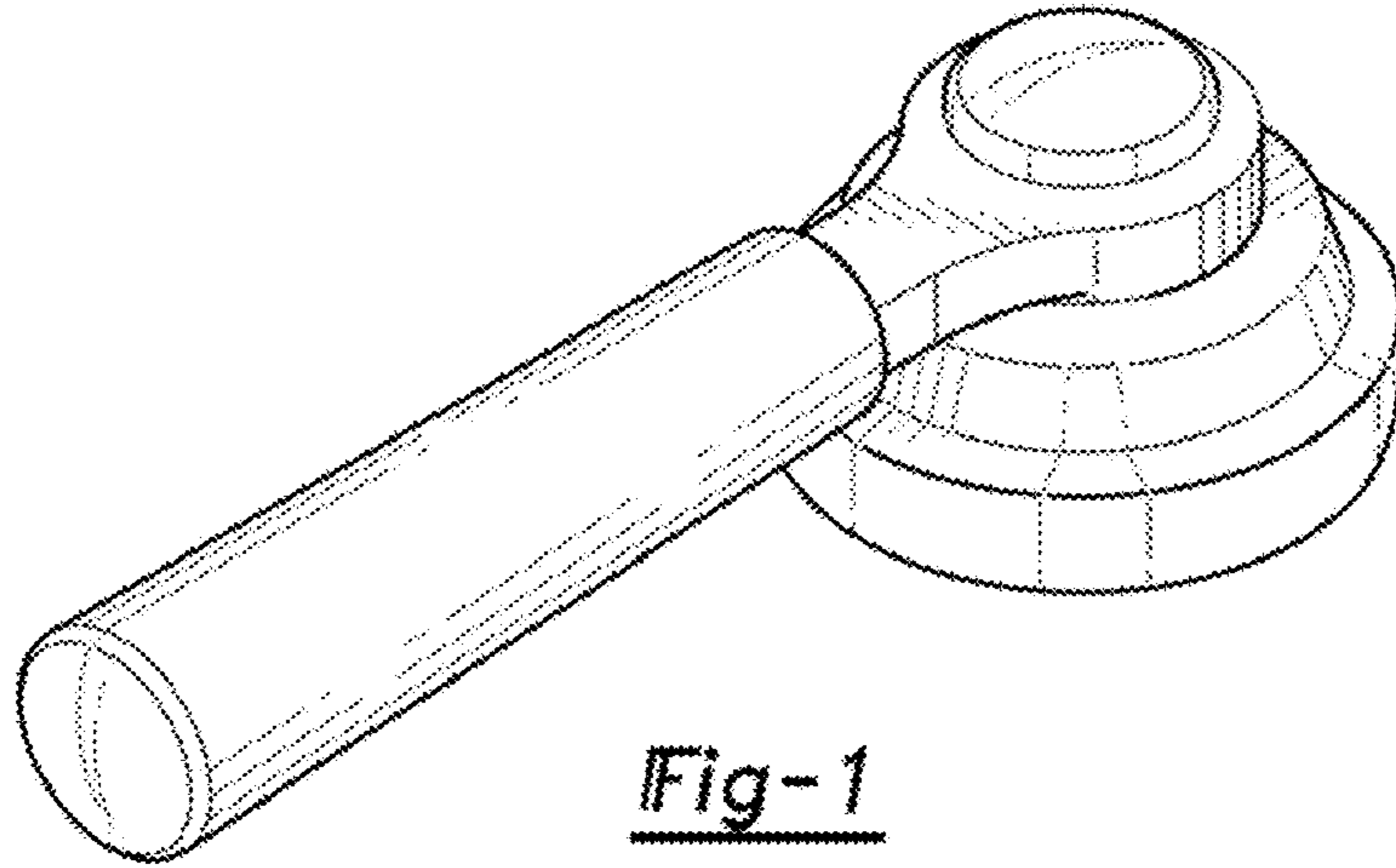


Fig-1

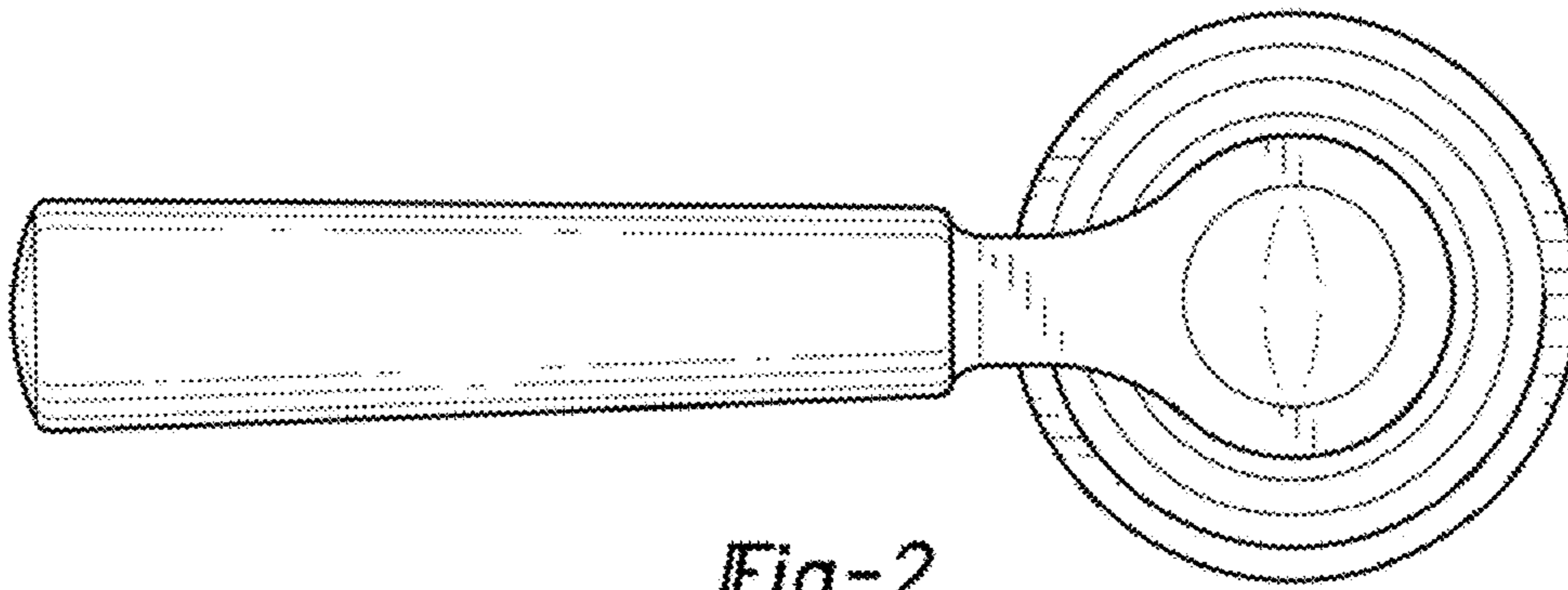


Fig-2

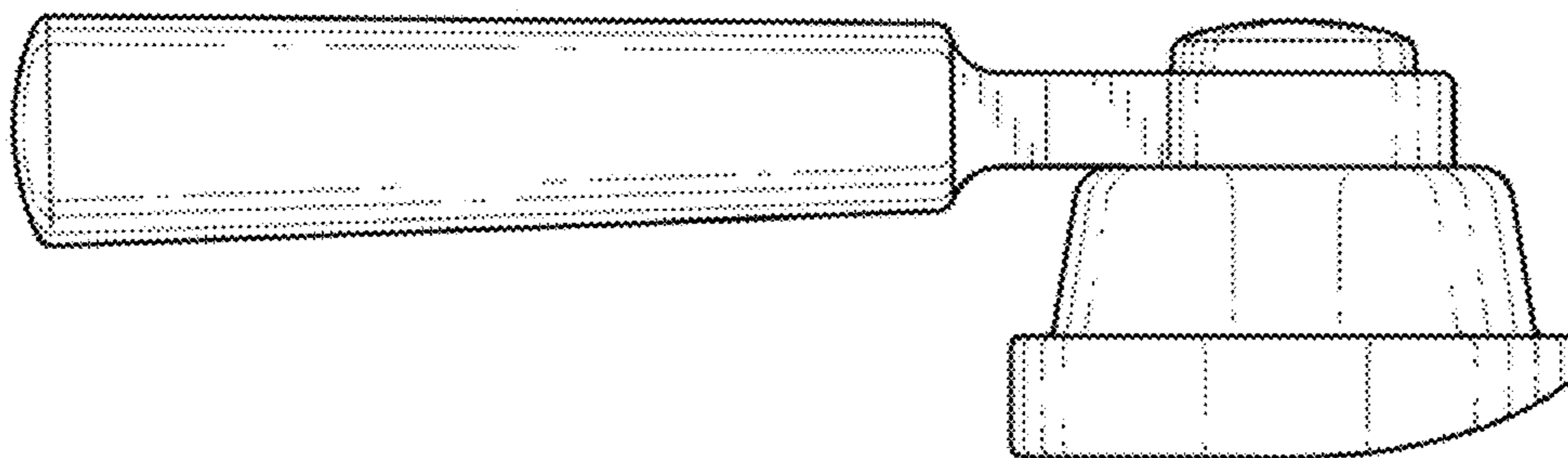


Fig-3

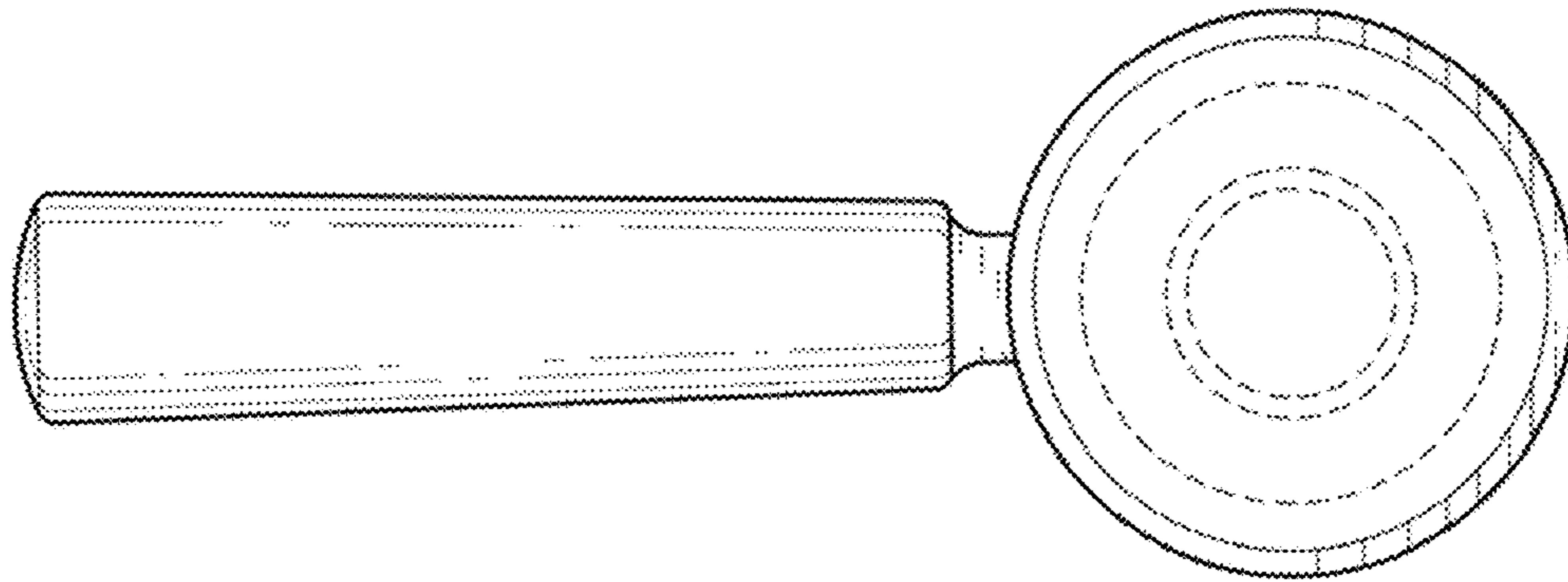


Fig-4

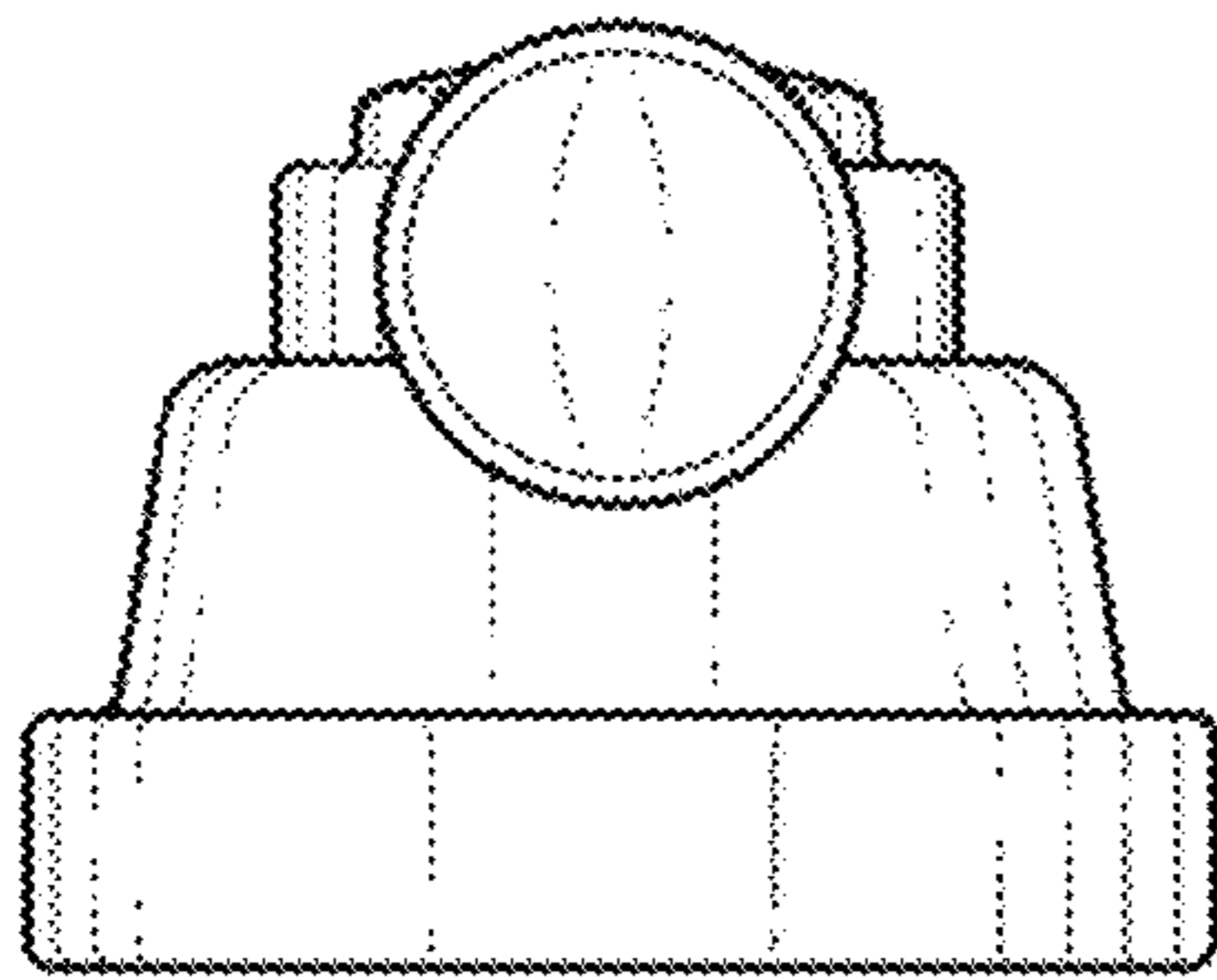


Fig-5

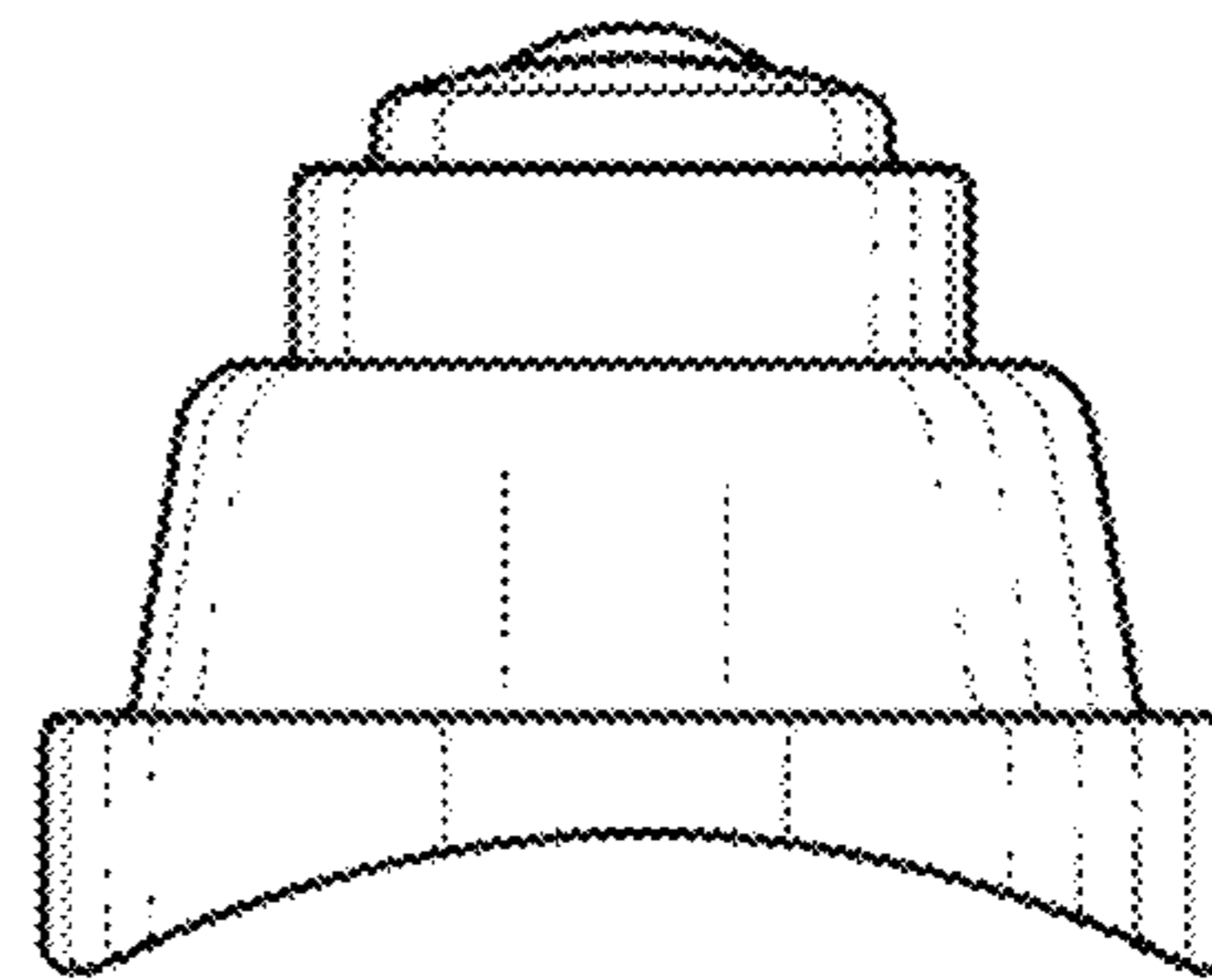


Fig-6