



US00D852329S

(12) **United States Design Patent**  
**Eads**

(10) **Patent No.:** **US D852,329 S**

(45) **Date of Patent:** **\*\* Jun. 25, 2019**

(54) **FAUCET BODY**

D797,242 S \* 9/2017 Potter ..... D23/238  
D830,517 S \* 10/2018 Zhang ..... D23/238

(71) Applicant: **DELTA FAUCET COMPANY,**  
Indianapolis, IN (US)

\* cited by examiner

(72) Inventor: **Thad Eads,** Urbana, IN (US)

*Primary Examiner* — Robert A Delehanty

(73) Assignee: **DELTA FAUCET COMPANY,**  
Indianapolis, IN (US)

(74) *Attorney, Agent, or Firm* — Edgar A. Zarins; Nirav  
D. Parikh

(\*\*) Term: **15 Years**

(57) **CLAIM**

(21) Appl. No.: **29/642,507**

The ornamental design for a faucet body, as shown and  
described.

(22) Filed: **Mar. 29, 2018**

(51) **LOC (11) Cl.** ..... **23-01**

(52) **U.S. Cl.**

USPC ..... **D23/249**

(58) **Field of Classification Search**

USPC ..... D23/238–243, 249

CPC ... Y10T 137/9464; E03C 1/04; E03C 1/0403;  
E03C 1/0402; E03C 1/0404; E03C  
1/0413; E03C 1/0409

See application file for complete search history.

**DESCRIPTION**

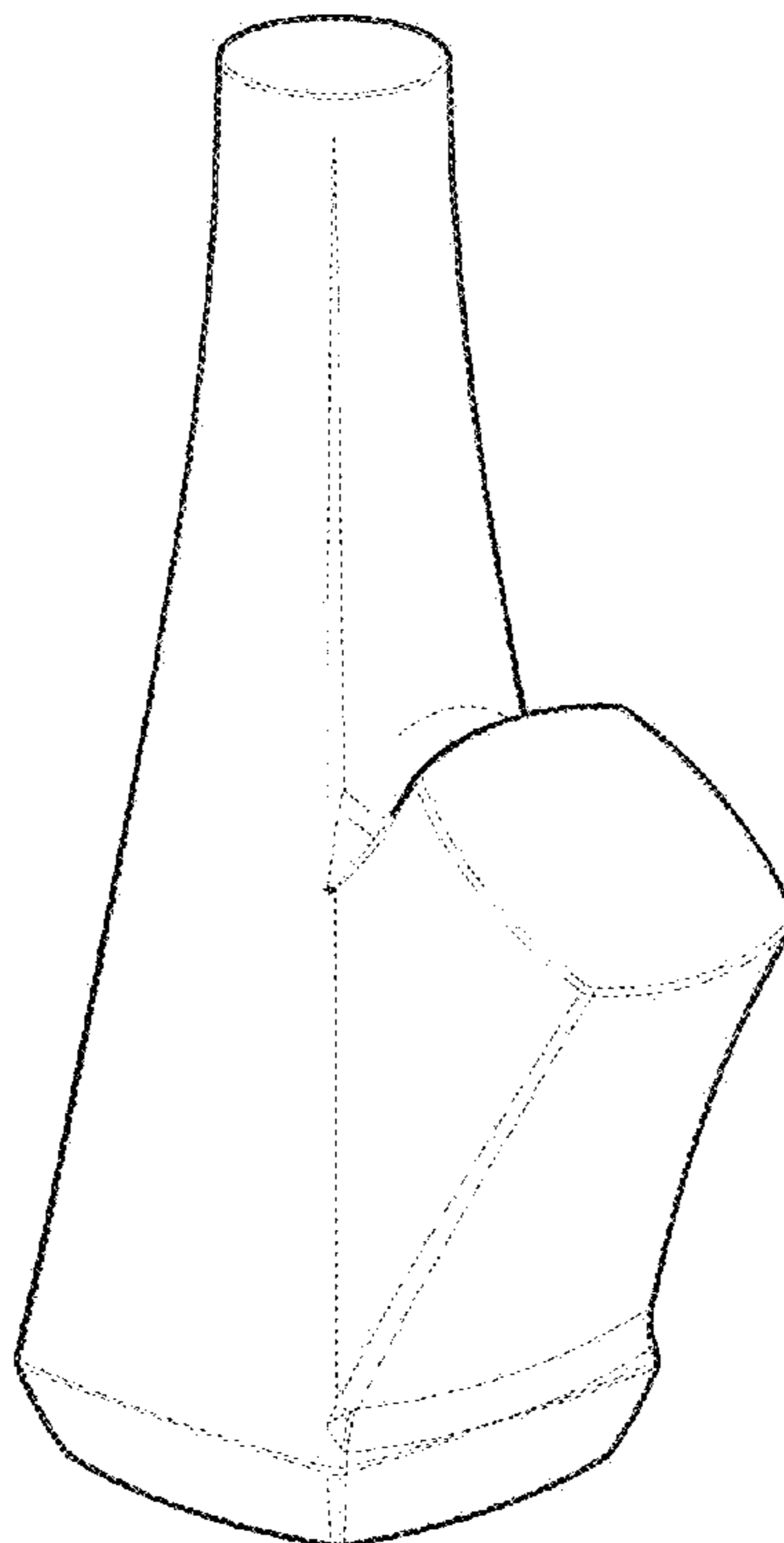
FIG. 1 is a first perspective view of a faucet body showing  
my new design;  
FIG. 2 is a second perspective view thereof;  
FIG. 3 is a front elevational view thereof;  
FIG. 4 is a left side view thereof;  
FIG. 5 is a rear view thereof;  
FIG. 6 is a right side view thereof;  
FIG. 7 is a top plan view thereof; and,  
FIG. 8 is a bottom view thereof.

(56) **References Cited**

**U.S. PATENT DOCUMENTS**

D708,718 S \* 7/2014 Hanna ..... D23/255

**1 Claim, 4 Drawing Sheets**



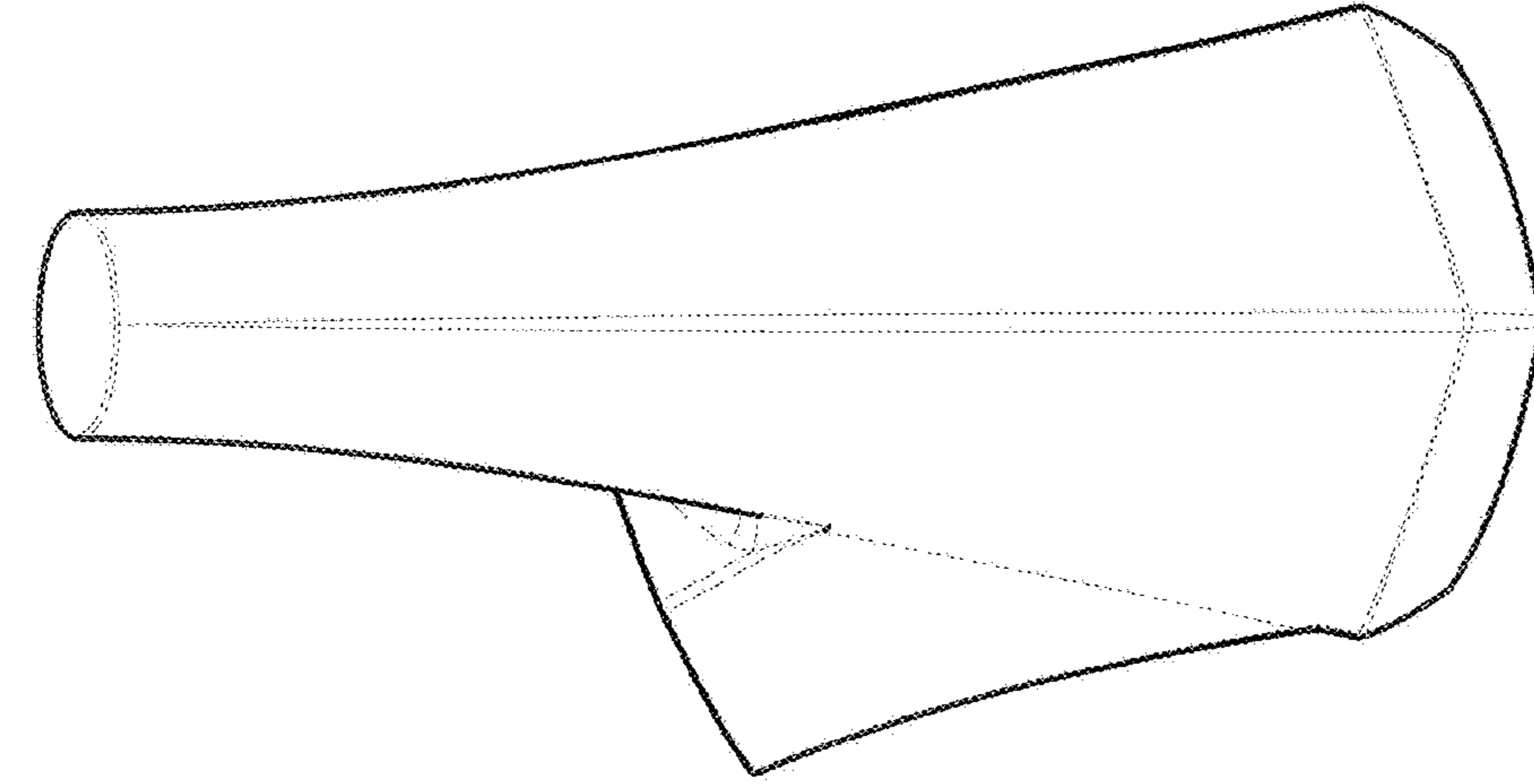


Fig. 2

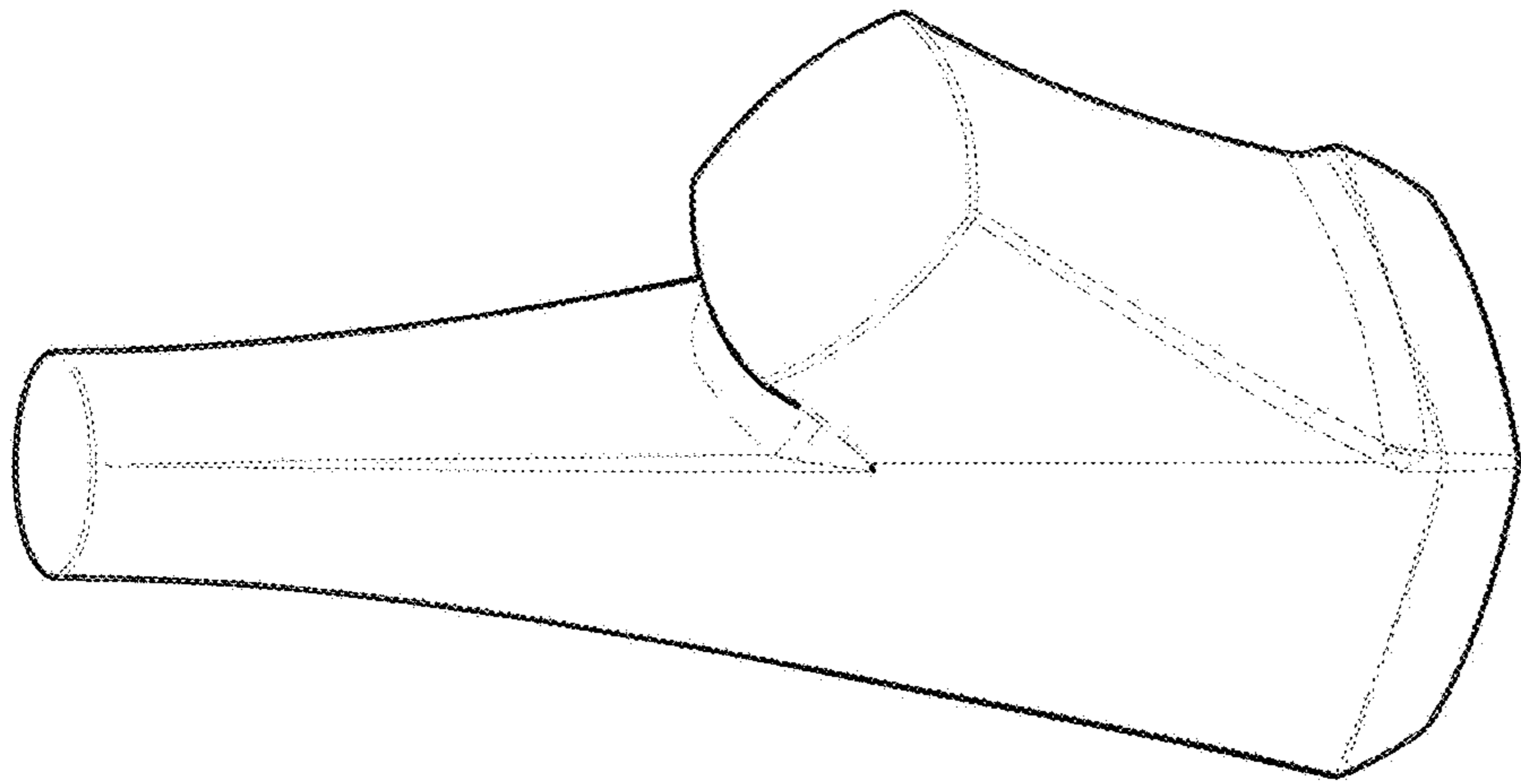


Fig. 1

Fig. 4

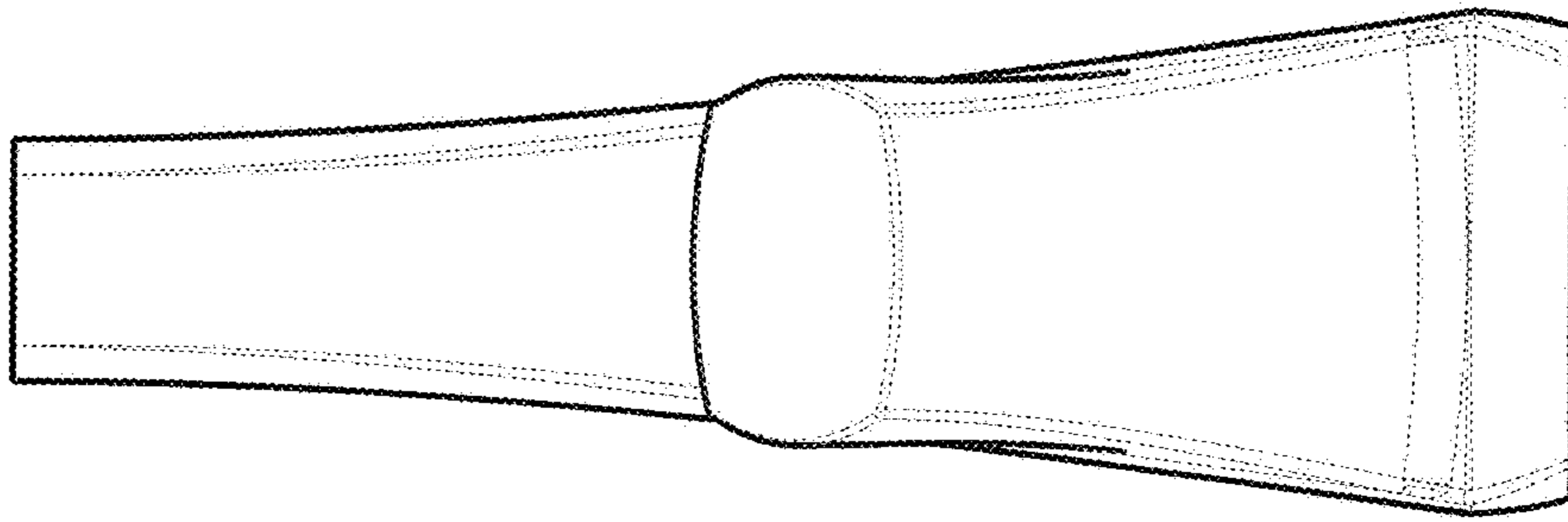


Fig. 3

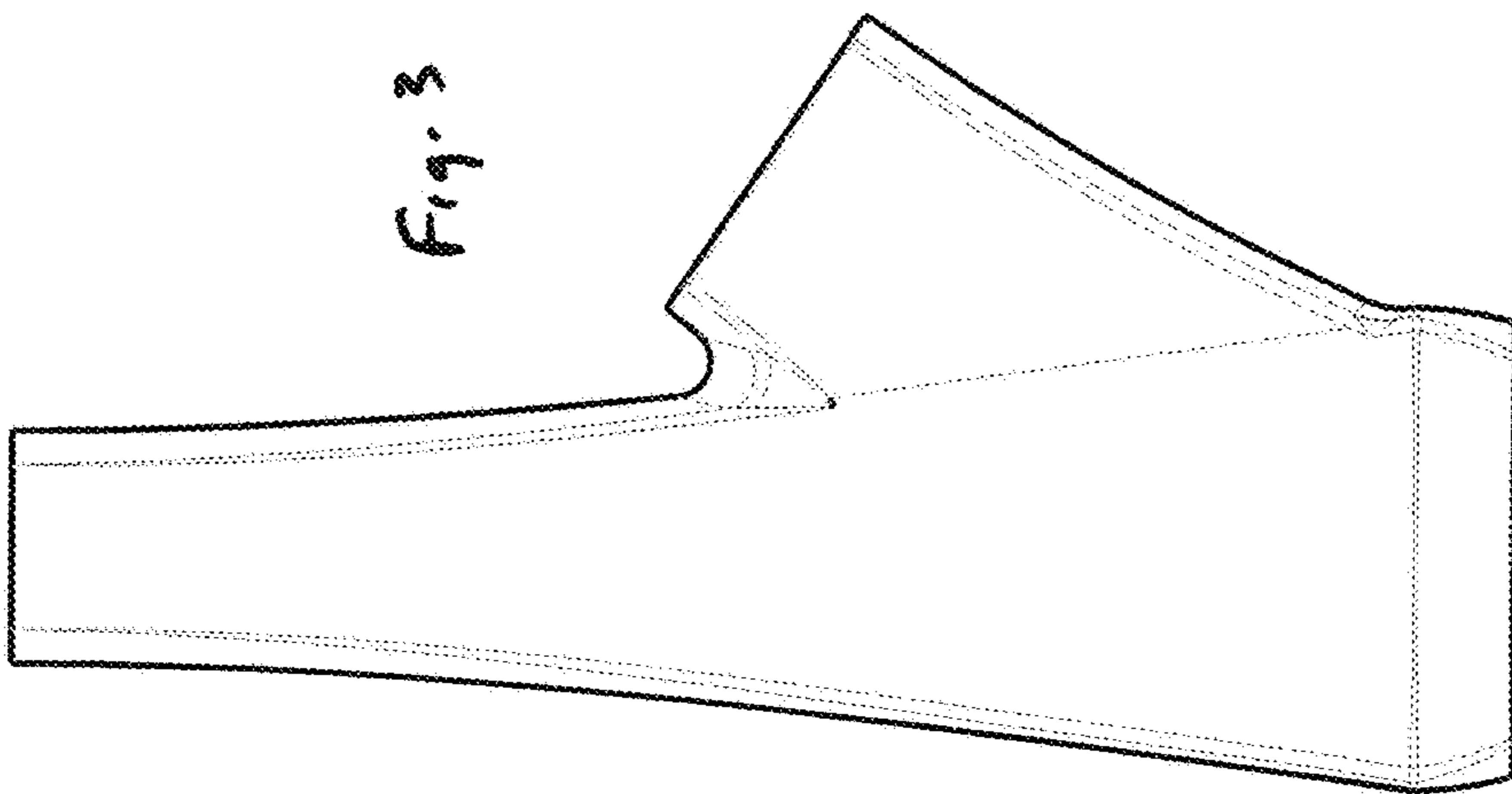


Fig. 6

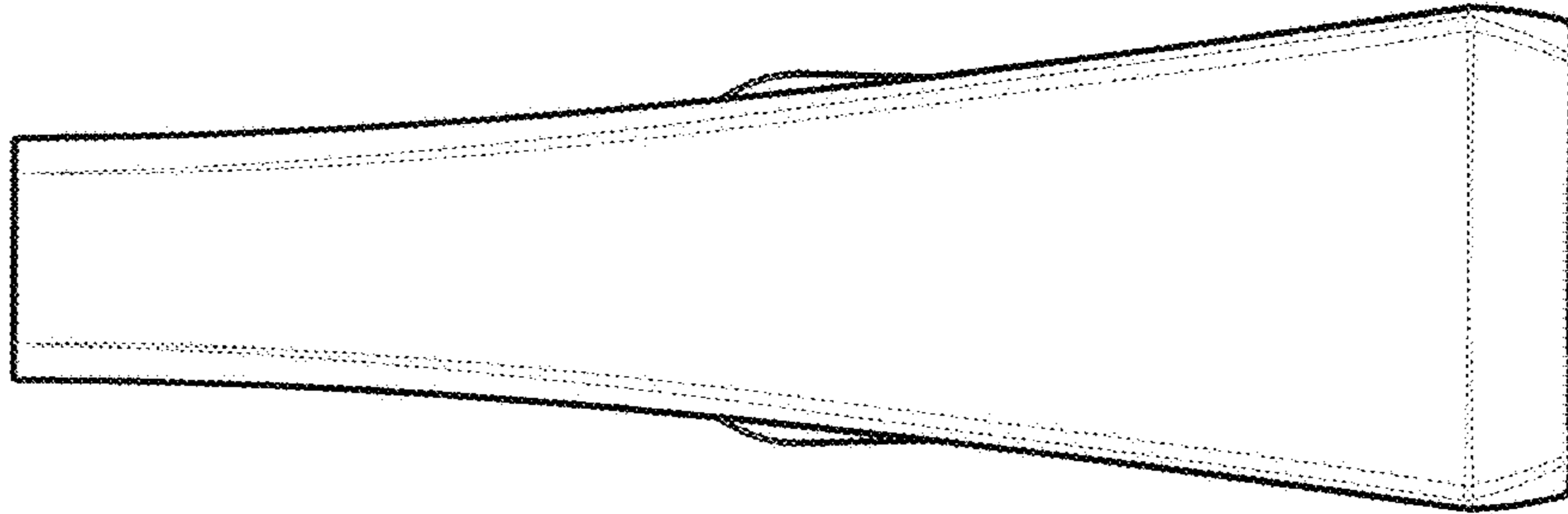
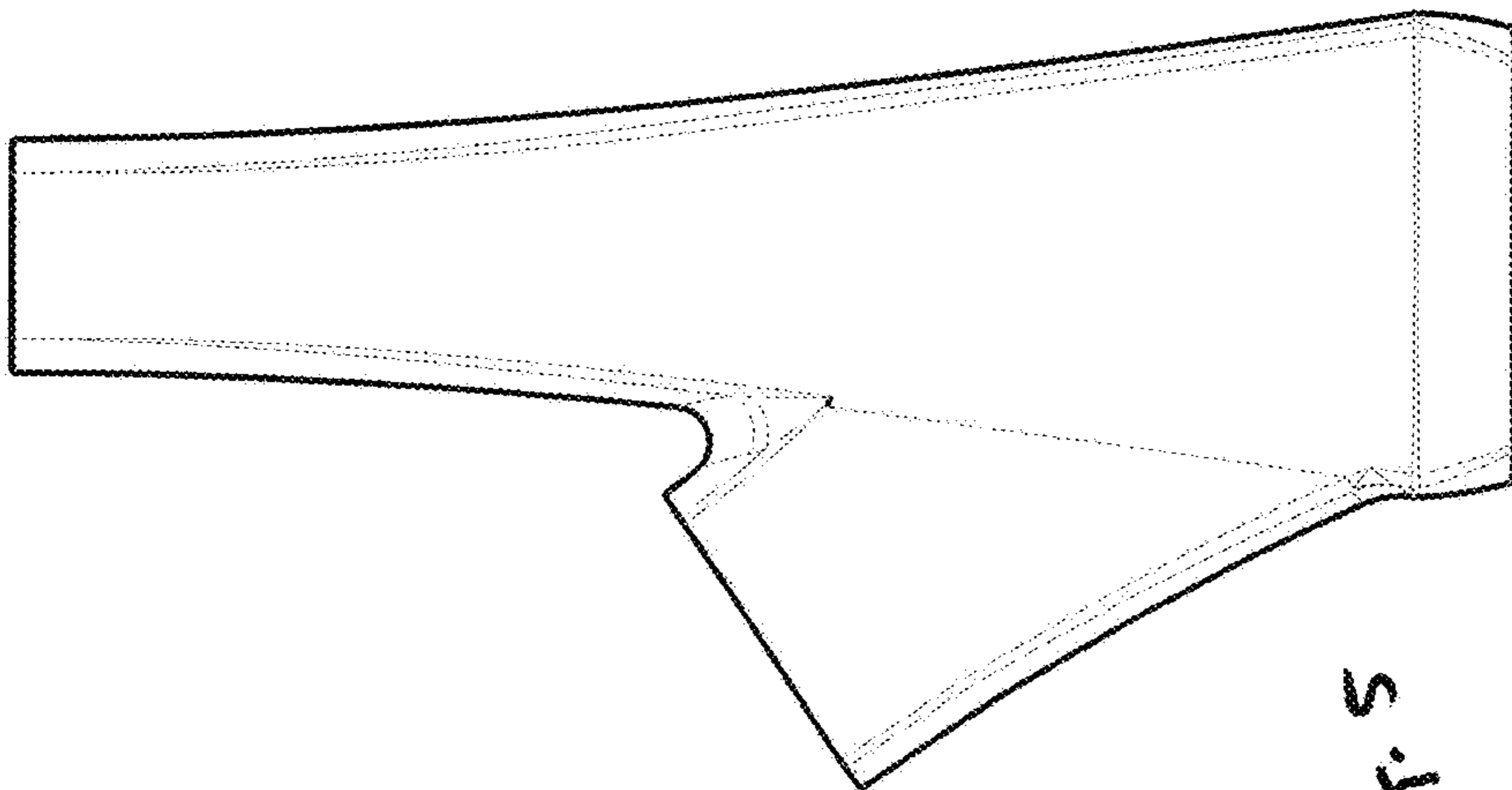


Fig. 5



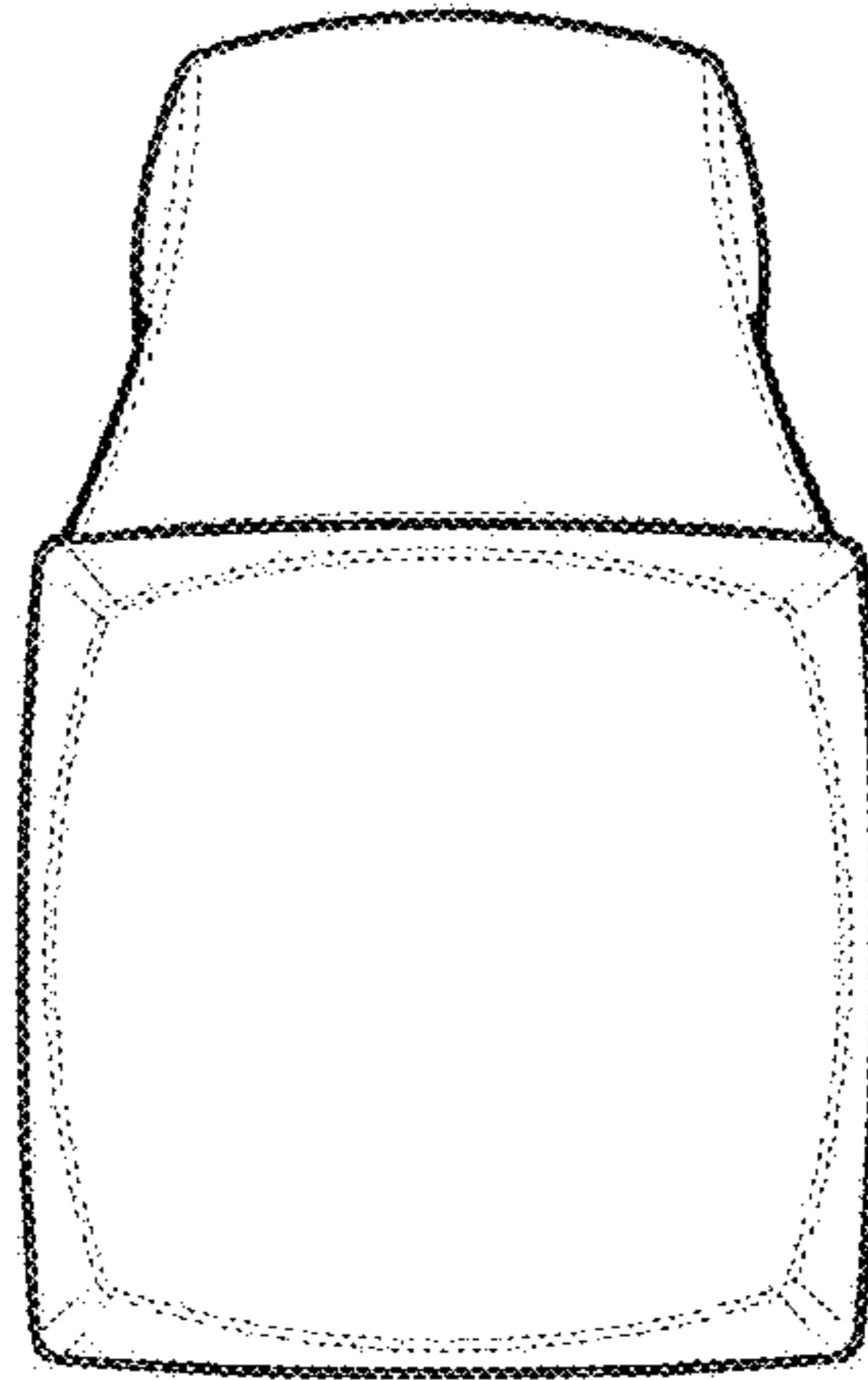


Fig. 6

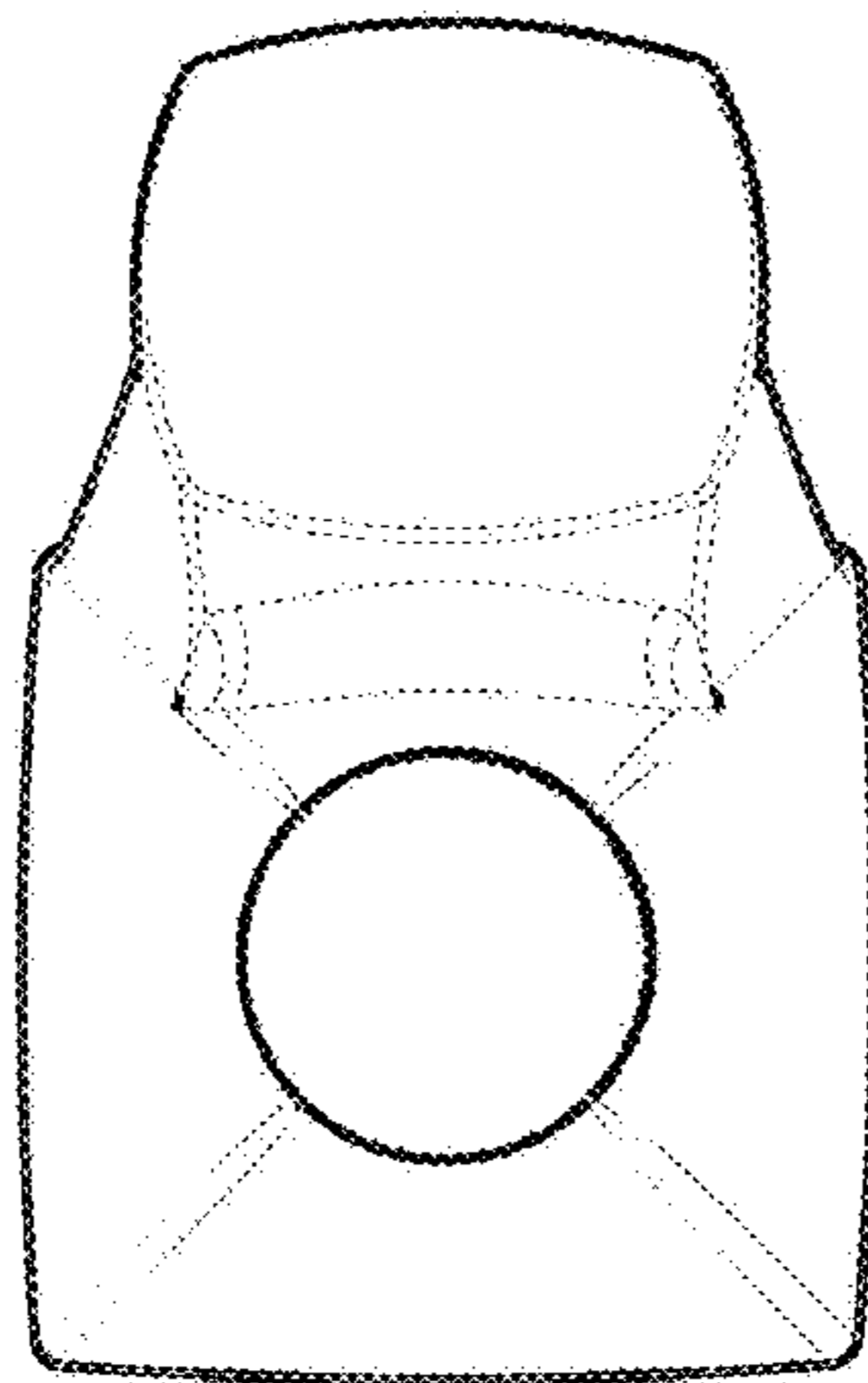


Fig. 7