



US00D852328S

(12) **United States Design Patent**  
**Garland**

(10) **Patent No.:** **US D852,328 S**

(45) **Date of Patent:** **\*\* Jun. 25, 2019**

(54) **FAUCET WATERWAY**

D685,880 S \* 7/2013 Fritz ..... D23/242  
D797,245 S \* 9/2017 Downey ..... D23/242

(71) Applicant: **DELTA FAUCET COMPANY,**  
Indianapolis, IN (US)

\* cited by examiner

(72) Inventor: **Celine Kwok Garland,** Zionsville, IN  
(US)

*Primary Examiner* — Robert A Delehanty

(74) *Attorney, Agent, or Firm* — Edgar A. Zarins; Nirav  
D. Parikh

(73) Assignee: **DELTA FAUCET COMPANY,**  
Indianapolis, IN (US)

(57) **CLAIM**

(\*\*) Term: **15 Years**

The ornamental design for a faucet waterway, as shown and  
described.

(21) Appl. No.: **29/632,411**

(22) Filed: **Jan. 8, 2018**

**DESCRIPTION**

(51) **LOC (11) Cl.** ..... **23-01**

(52) **U.S. Cl.**  
USPC ..... **D23/249**

(58) **Field of Classification Search**  
USPC ..... D23/238–243, 249–250, 252, 254  
CPC ..... Y10T 137/9464; E03C 1/04; E03C 1/02;  
E03C 1/0404; E03C 1/042; E03C 1/0414  
See application file for complete search history.

FIG. 1 is a perspective view of a faucet waterway showing  
my new design;  
FIG. 2 is a top plan view thereof;  
FIG. 3 is a first side view thereof, the opposite side being a  
mirror image of the side shown;  
FIG. 4 is a first end view thereof, the opposite end being a  
mirror image of the end shown; and,  
FIG. 5 is a bottom view thereof.

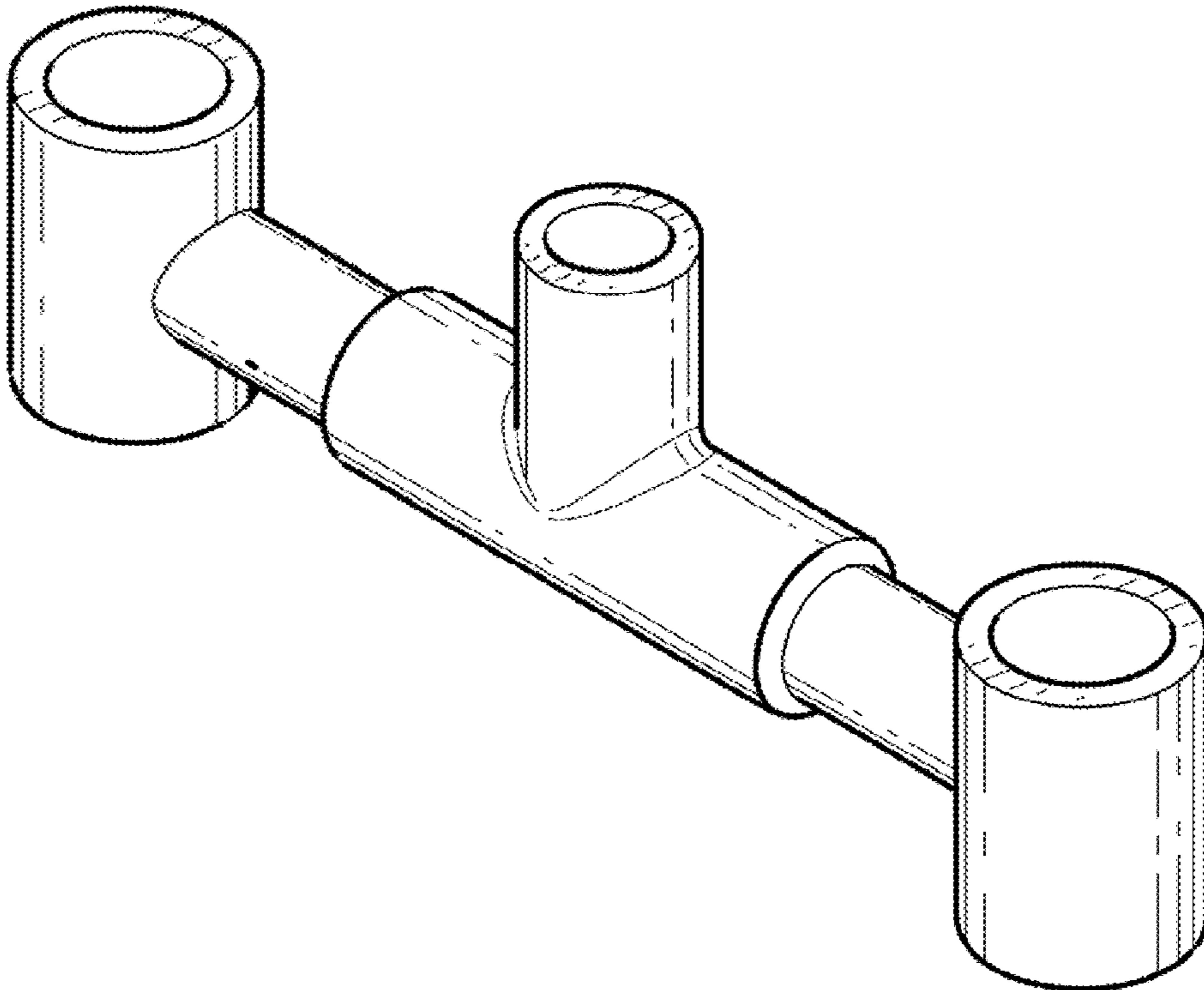
The broken-line disclosure in the view represents a portion  
of the faucet waterway in which the claimed design is  
embodied, but which forms no part of the claimed design.

(56) **References Cited**

**U.S. PATENT DOCUMENTS**

D540,918 S \* 4/2007 Haug ..... D23/241

**1 Claim, 1 Drawing Sheet**



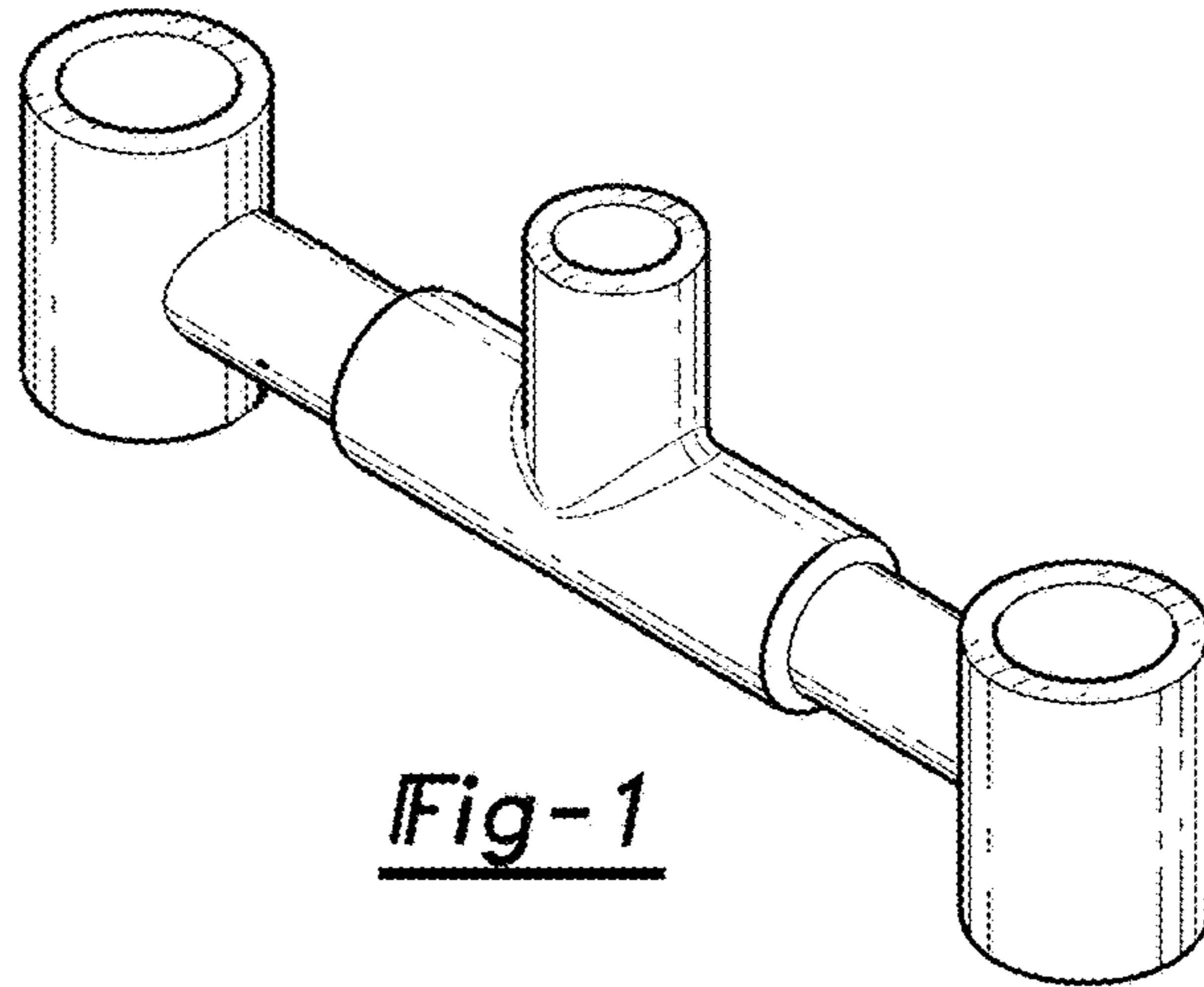


Fig-1

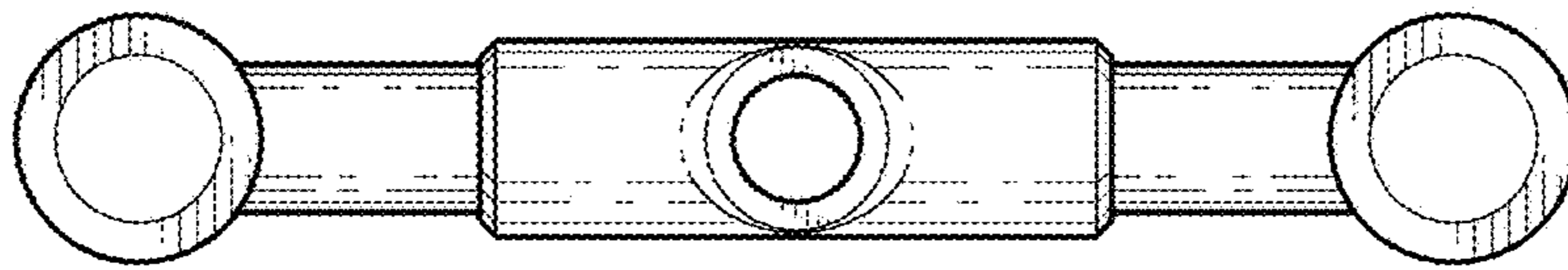


Fig-2

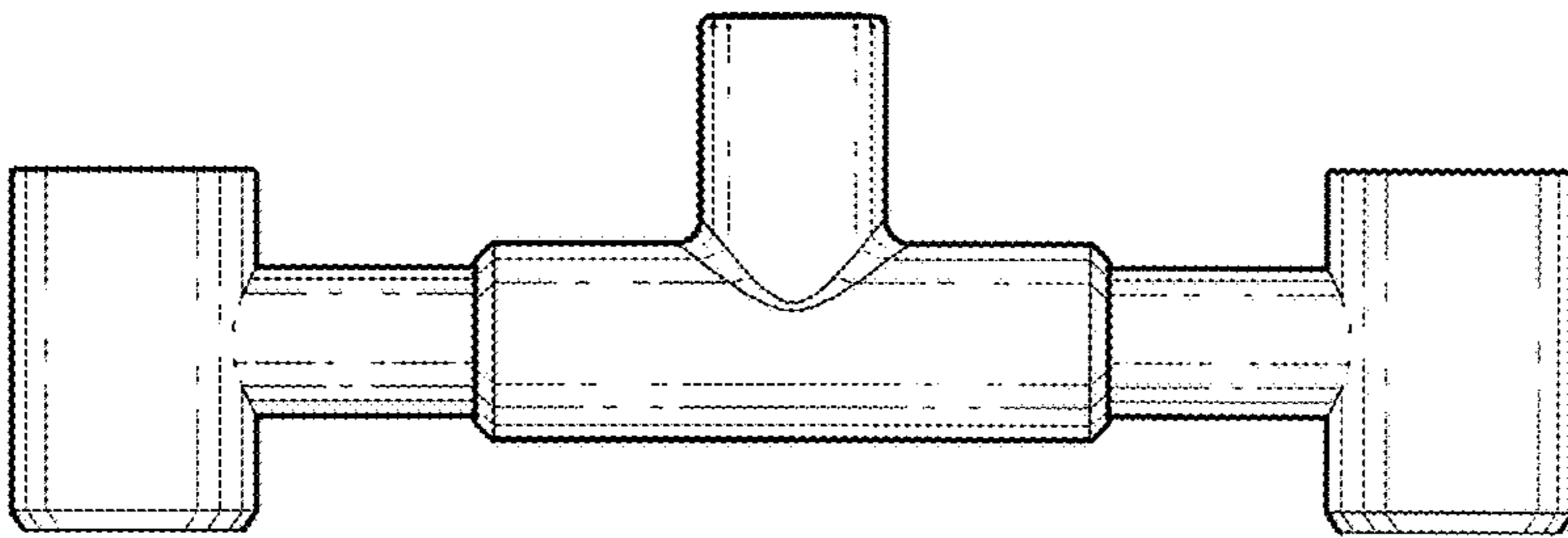


Fig-3

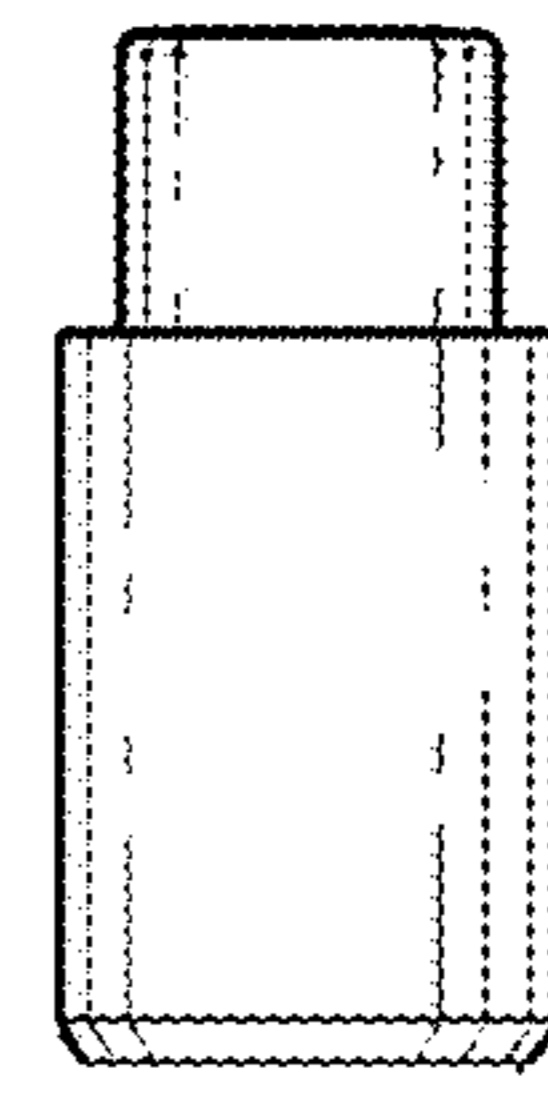


Fig-4

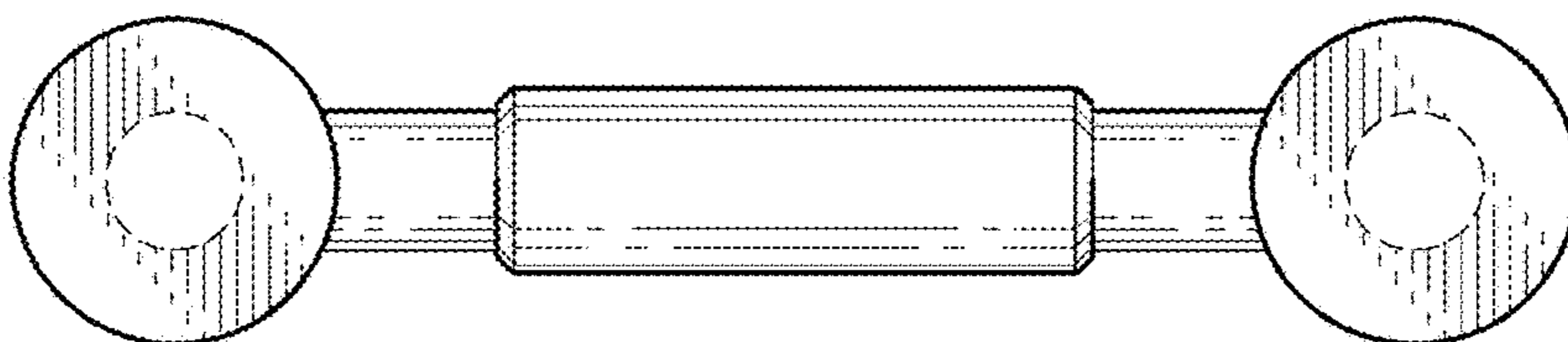


Fig-5