



US00D852326S

(12) **United States Design Patent**  
**McKeone**

(10) **Patent No.:** **US D852,326 S**

(45) **Date of Patent:** **\*\* Jun. 25, 2019**

- (54) **FAUCET**
- (71) Applicant: **Kohler Co.**, Kohler, WI (US)
- (72) Inventor: **William C. McKeone**, Sheboygan, WI (US)
- (73) Assignee: **KOHLER CO.**, Kohler, WI (US)
- (\*\*) Term: **15 Years**
- (21) Appl. No.: **29/630,498**
- (22) Filed: **Dec. 21, 2017**
- (51) **LOC (11) Cl.** ..... **23-01**
- (52) **U.S. Cl.**  
USPC ..... **D23/242**
- (58) **Field of Classification Search**  
USPC ..... D23/238-243, 249-250, 252, 254-255,  
D23/257, 213, 223, 226, 229; D8/300,  
D8/307-308  
CPC ... Y10T 137/9464; E03C 1/04; E03C 1/0401;  
E03C 1/0402; E03C 1/0404; E03C  
1/0405; E03C 1/0412; E03C 1/0413;  
E03C 1/0409; E03C 1/042  
See application file for complete search history.

- D705,639 S \* 5/2014 Kaishian ..... B25G 1/04  
D8/300
- D737,941 S \* 9/2015 Eads ..... D23/255
- D759,212 S \* 6/2016 Eads ..... D23/255
- D810,243 S \* 2/2018 Schoenherr ..... D23/242

\* cited by examiner

*Primary Examiner* — Robert A Delehanty

(74) *Attorney, Agent, or Firm* — Foley & Lardner LLP

(57) **CLAIM**

I claim the ornamental design for a faucet, as shown and described.

**DESCRIPTION**

FIG. 1 is a perspective view of an embodiment of the claimed design;  
 FIG. 2 is a front view of the claimed design shown in FIG. 1;  
 FIG. 3 is a rear view of the claimed design shown in FIG. 1;  
 FIG. 4 is a top view of the claimed design shown in FIG. 1;  
 FIG. 5 is a bottom view of the claimed design shown in FIG. 1;  
 FIG. 6 is a side view of the claimed design shown in FIG. 1; and,  
 FIG. 7 is another side view of the claimed design shown in FIG. 1.

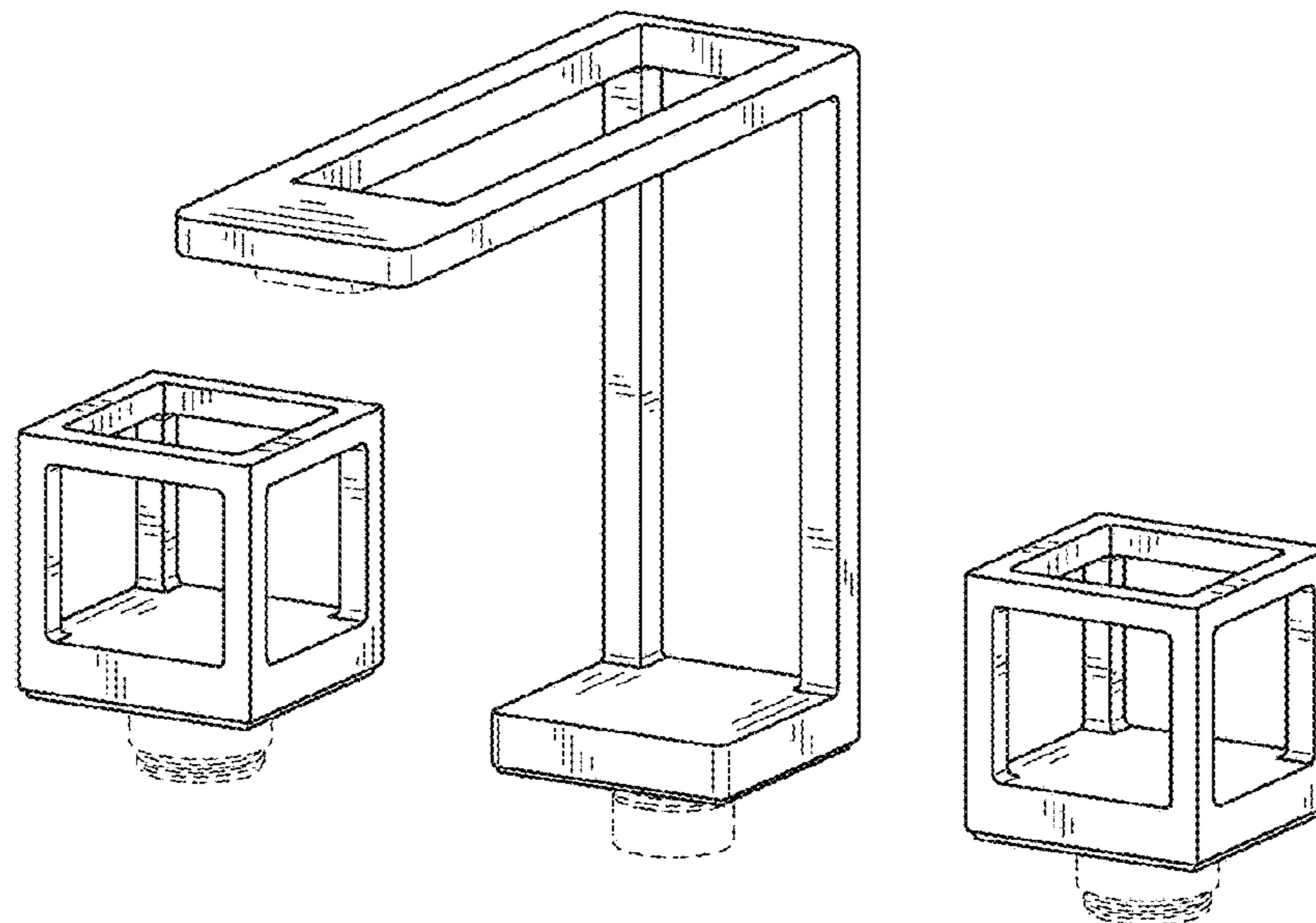
The ornamental design that is claimed is shown in the drawings as solid lines and surfaces having surface shading. The broken lines in the drawings are for illustrative purposes only and form no part of the claimed design. For example, broken lines formed by equal length dashes show unclaimed portions of the design.

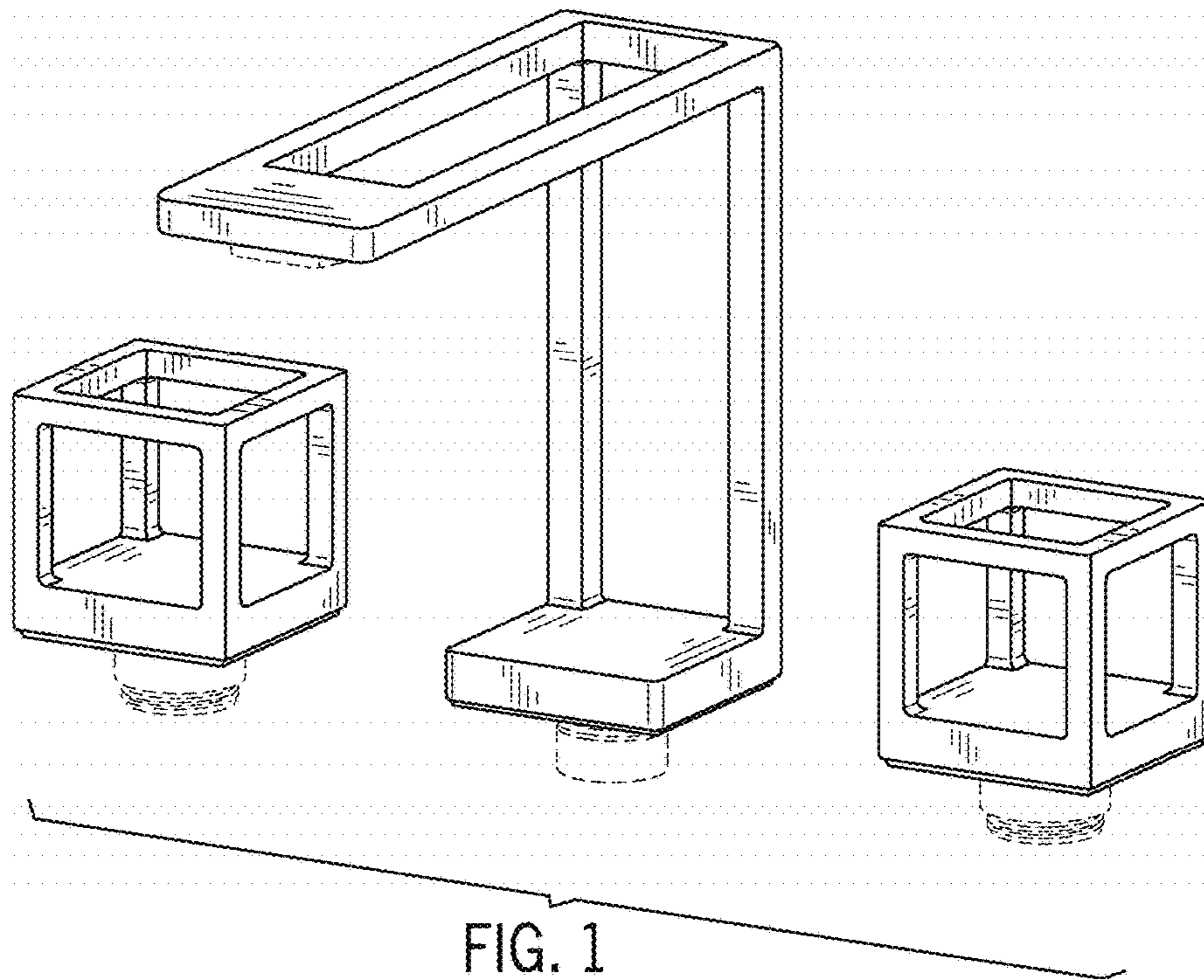
**1 Claim, 7 Drawing Sheets**

(56) **References Cited**

**U.S. PATENT DOCUMENTS**

- 3,726,318 A \* 4/1973 Hyde ..... E03C 1/0404  
137/607
- D294,631 S \* 3/1988 Bourbon ..... D23/241
- D304,225 S \* 10/1989 Lathrop ..... D23/257
- D516,185 S \* 2/2006 Hanna ..... D23/252
- D665,881 S \* 8/2012 Flowers ..... D23/252





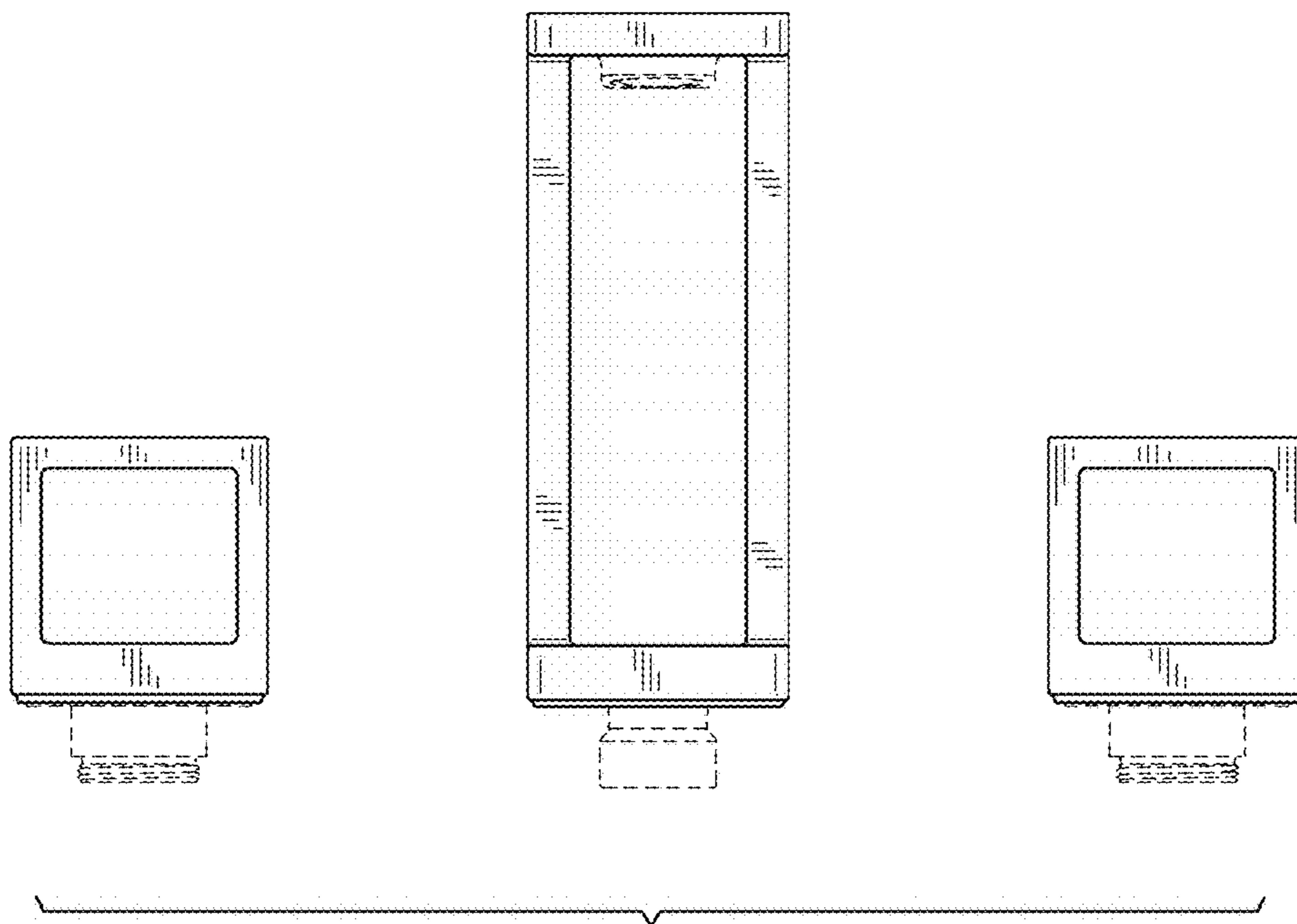


FIG. 2

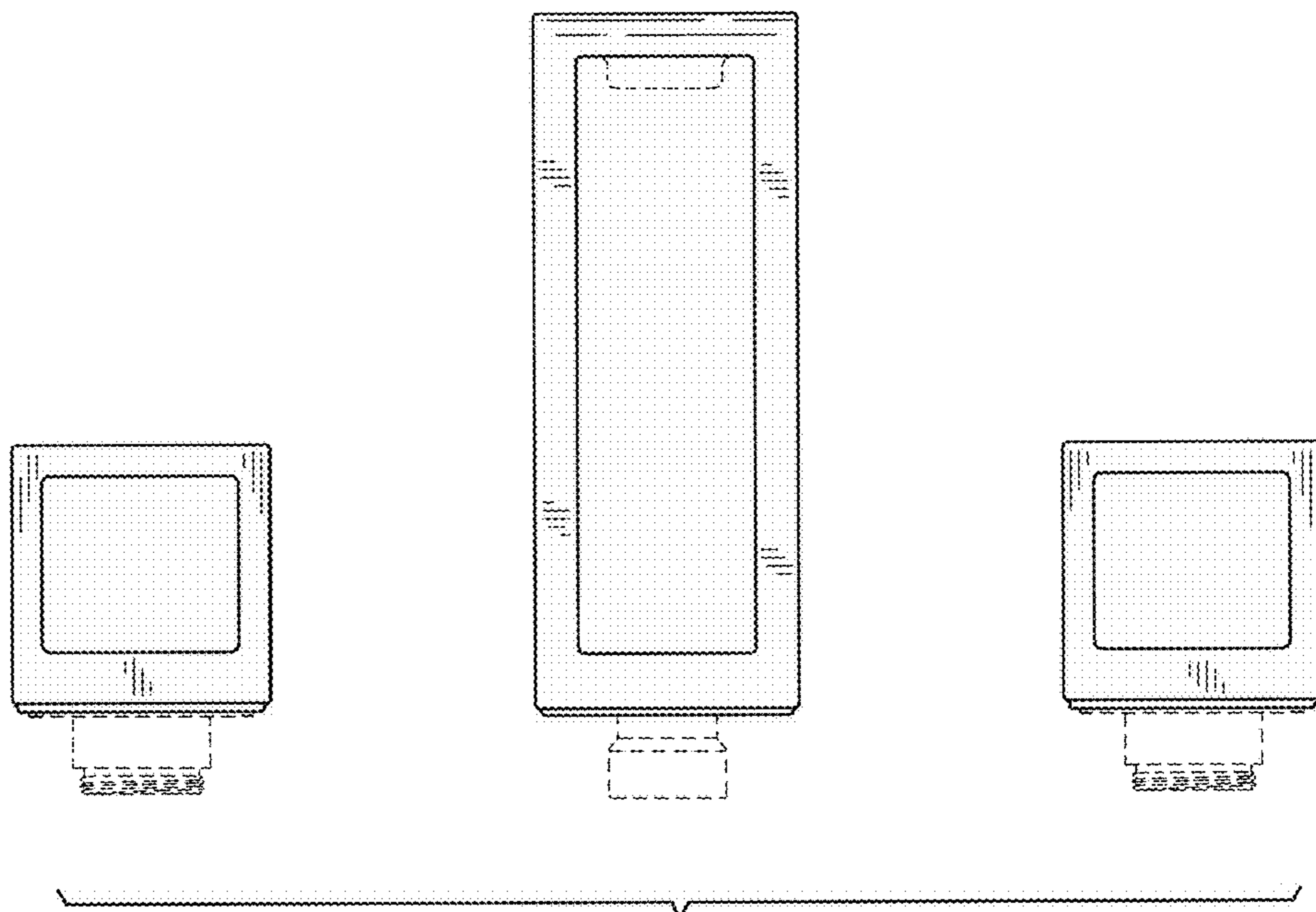


FIG. 3

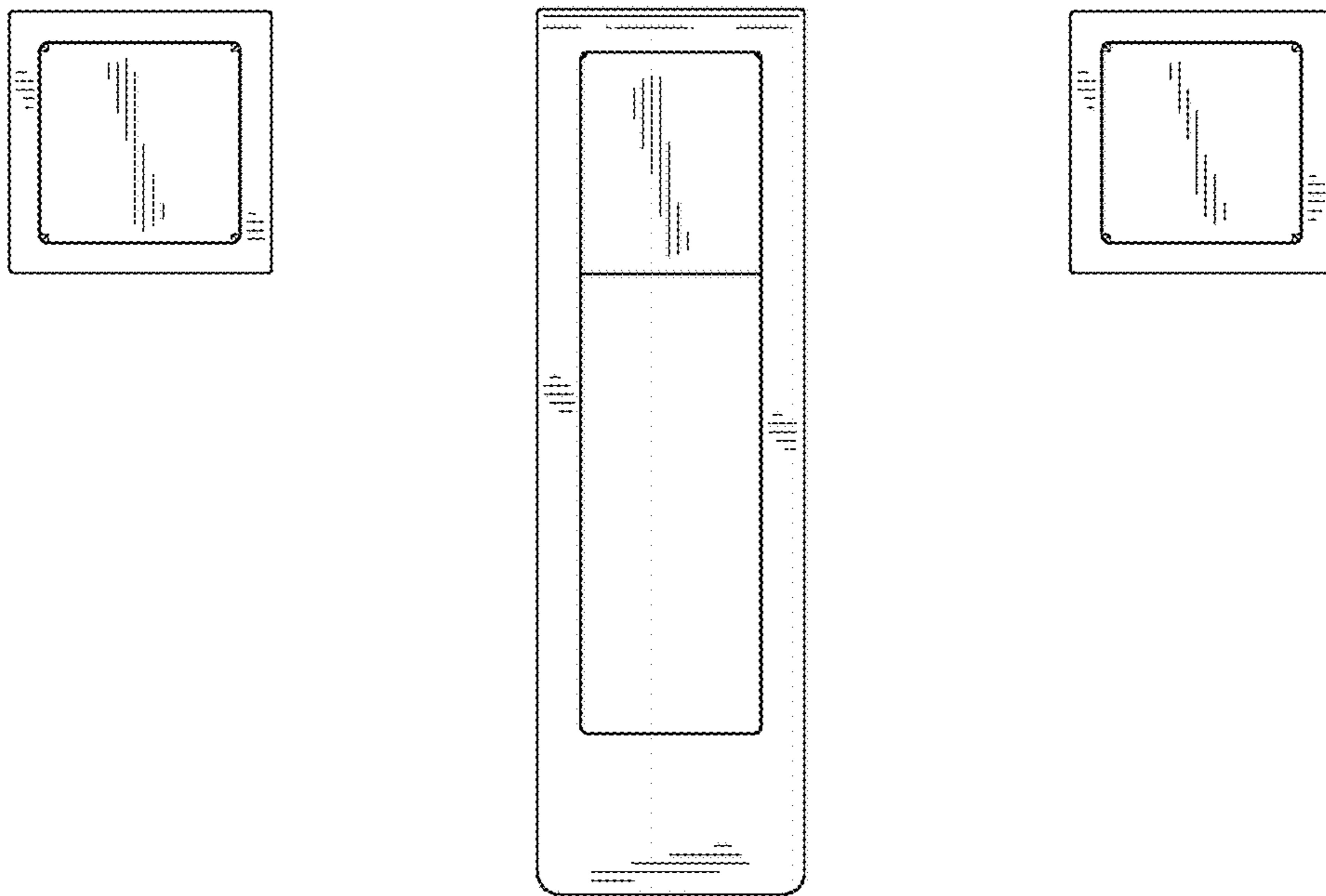


FIG. 4

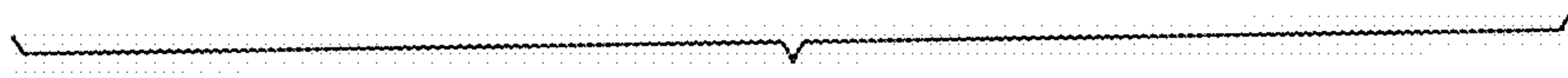
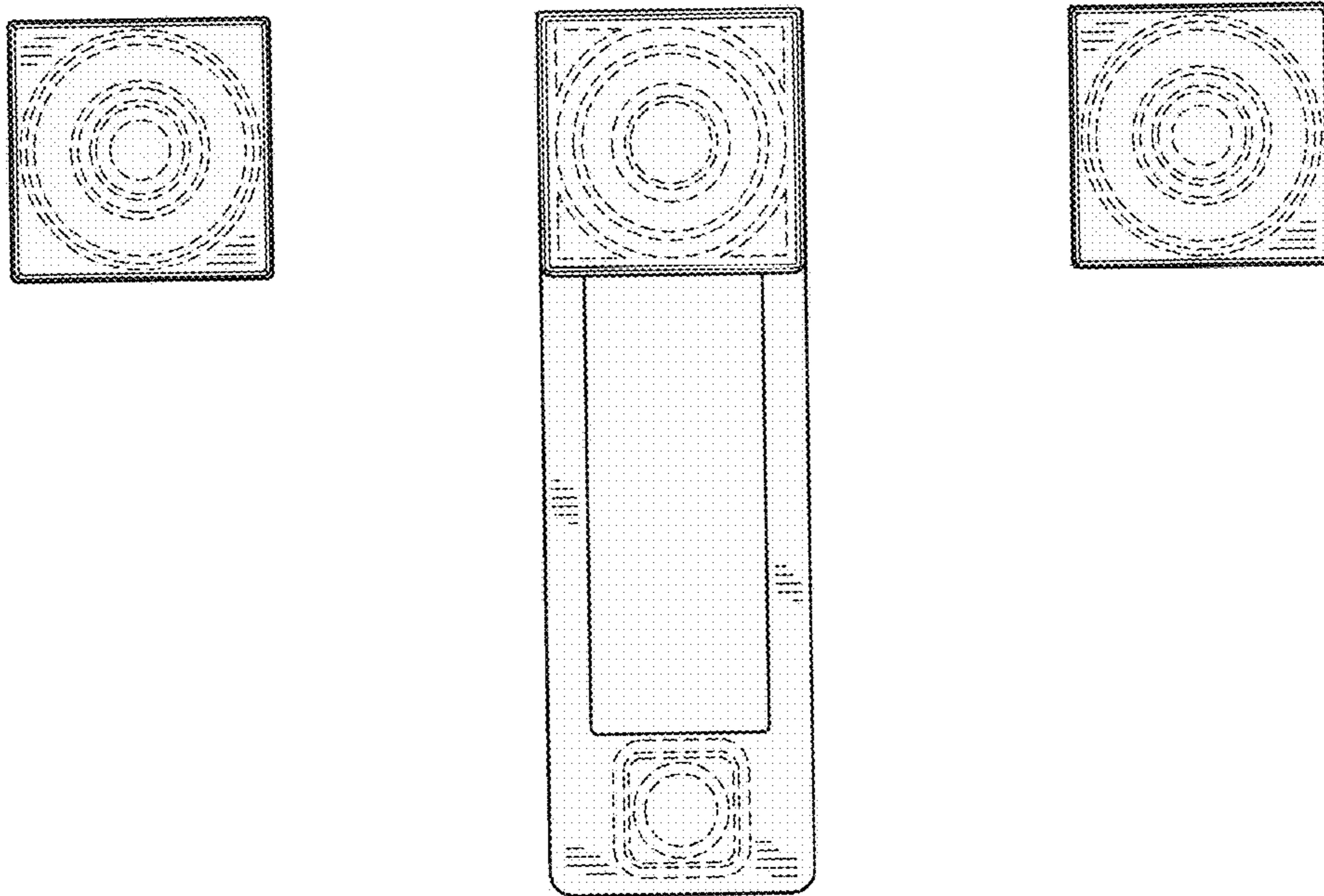


FIG. 5

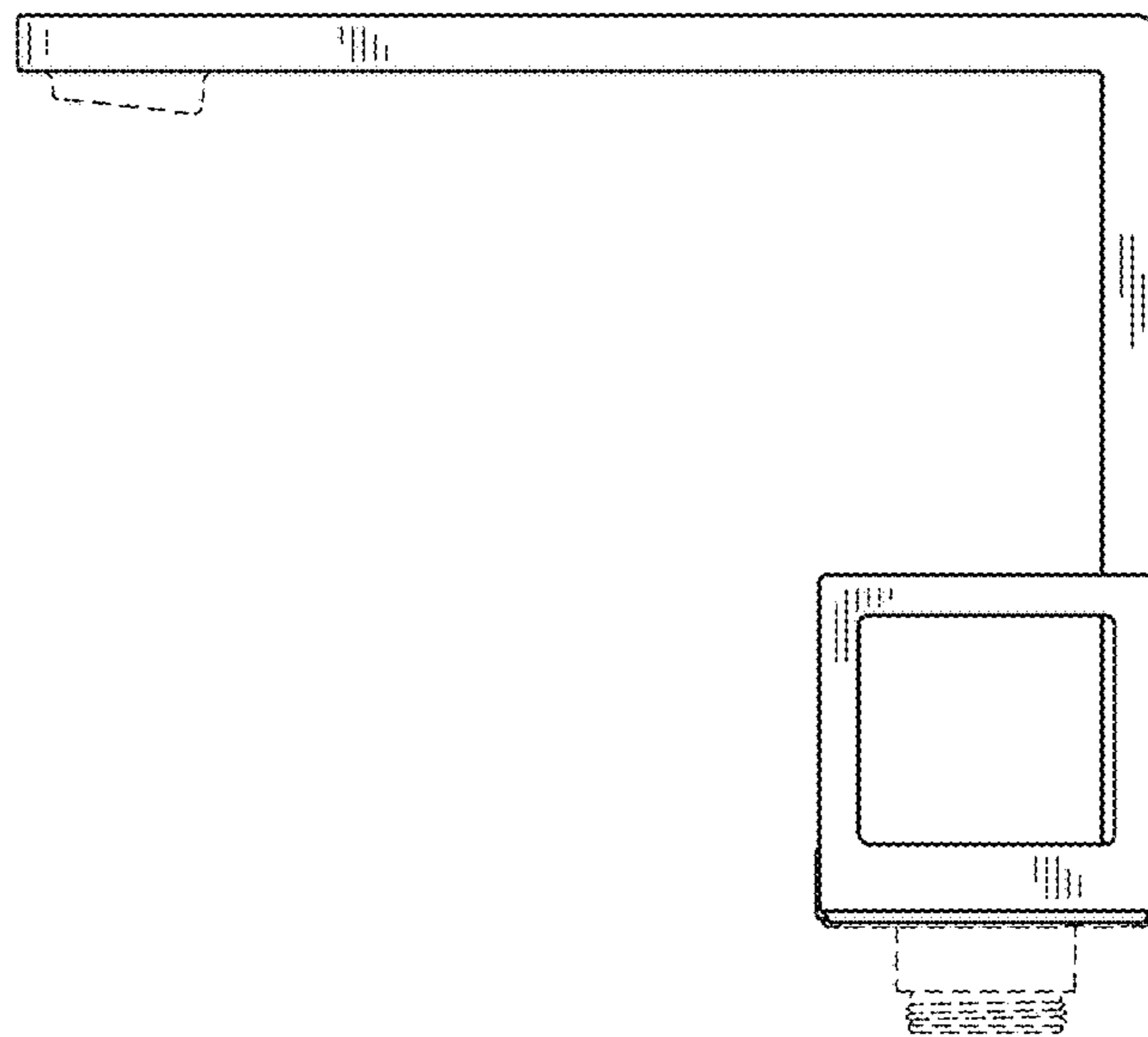


FIG. 6

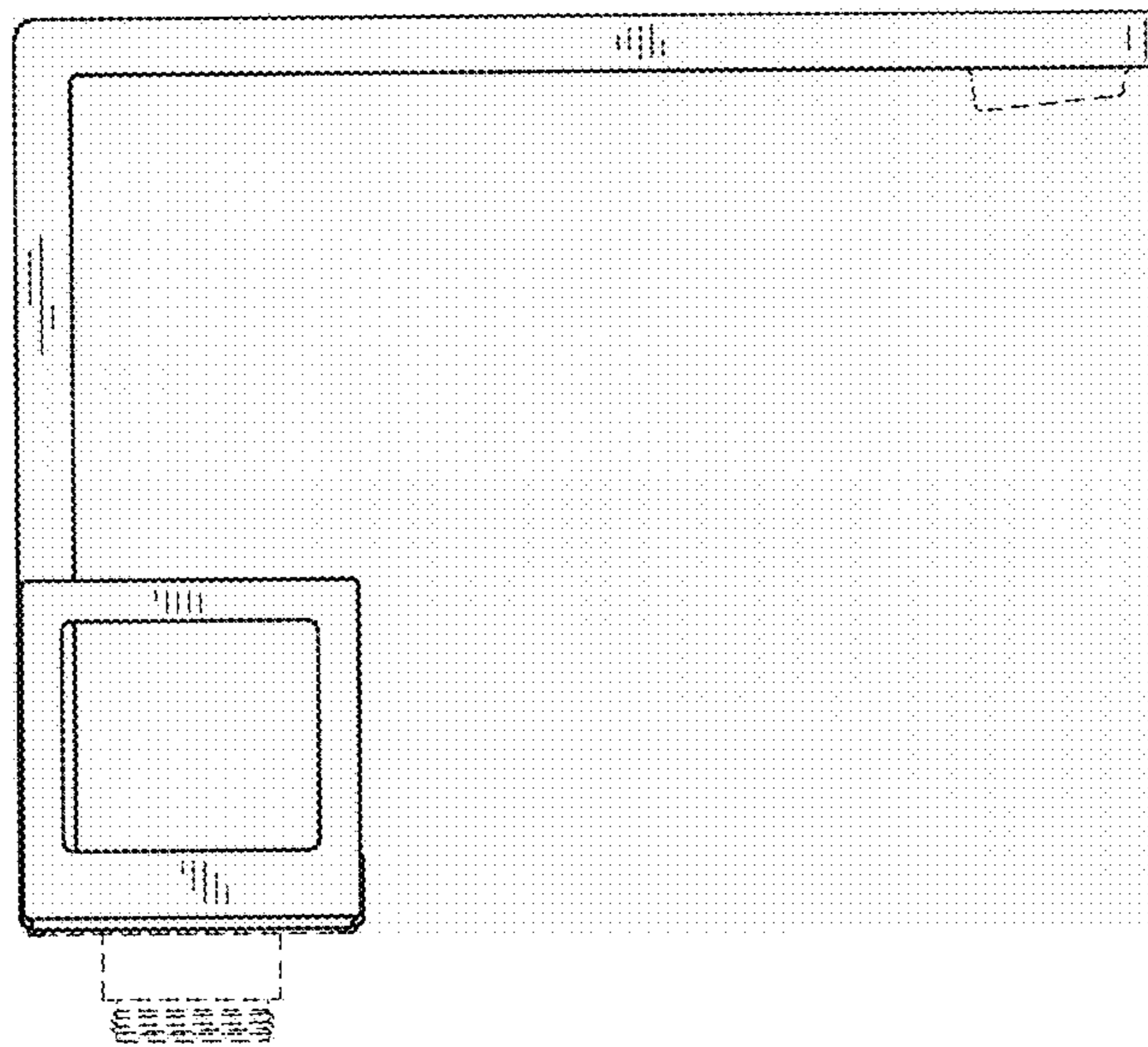


FIG. 7