



US00D852325S

(12) **United States Design Patent**  
**Eads**

(10) **Patent No.:** **US D852,325 S**

(45) **Date of Patent:** **\*\* Jun. 25, 2019**

(54) **FAUCET**

(71) Applicant: **DELTA FAUCET COMPANY,**  
Indianapolis, IN (US)

(72) Inventor: **Thad Eads,** Urbana, IN (US)

(73) Assignee: **DELTA FAUCET COMPANY,**  
Indianapolis, IN (US)

(\*\*) Term: **15 Years**

(21) Appl. No.: **29/642,504**

(22) Filed: **Mar. 29, 2018**

(51) **LOC (11) Cl.** ..... **23-01**

(52) **U.S. Cl.**  
USPC ..... **D23/238**

(58) **Field of Classification Search**

USPC ..... D23/238-243, 249-250, 252, 254-255,  
D23/257, 213, 223, 226, 229; D8/300,  
D8/307-308

CPC ... Y10T 137/9464; E03C 1/04; E03C 1/0403;  
E03C 1/0402; E03C 1/0404; E03C  
1/0405; E03C 1/0412; E03C 1/0413;  
E03C 1/0409; E03C 1/042

See application file for complete search history.

(56) **References Cited**

U.S. PATENT DOCUMENTS

D708,718 S \* 7/2014 Hanna ..... D23/255  
D754,301 S \* 4/2016 Bahler ..... D23/255

D797,240 S \* 9/2017 Potter ..... D23/238  
D797,902 S \* 9/2017 Georgeson ..... D23/255  
D803,361 S \* 11/2017 Downey ..... D23/257  
D830,517 S \* 10/2018 Zhang ..... D23/238  
D830,520 S \* 10/2018 Spangler ..... D23/252

\* cited by examiner

*Primary Examiner* — Robert A Delehanty

(74) *Attorney, Agent, or Firm* — Edgar A. Zarins; Nirav  
D. Parikh

(57) **CLAIM**

The ornamental design for a faucet, as shown and described.

**DESCRIPTION**

FIG. 1 is a first perspective view of a faucet showing my new design;

FIG. 2 is a second perspective view thereof;

FIG. 3 is a front elevational view thereof;

FIG. 4 is a left side view thereof;

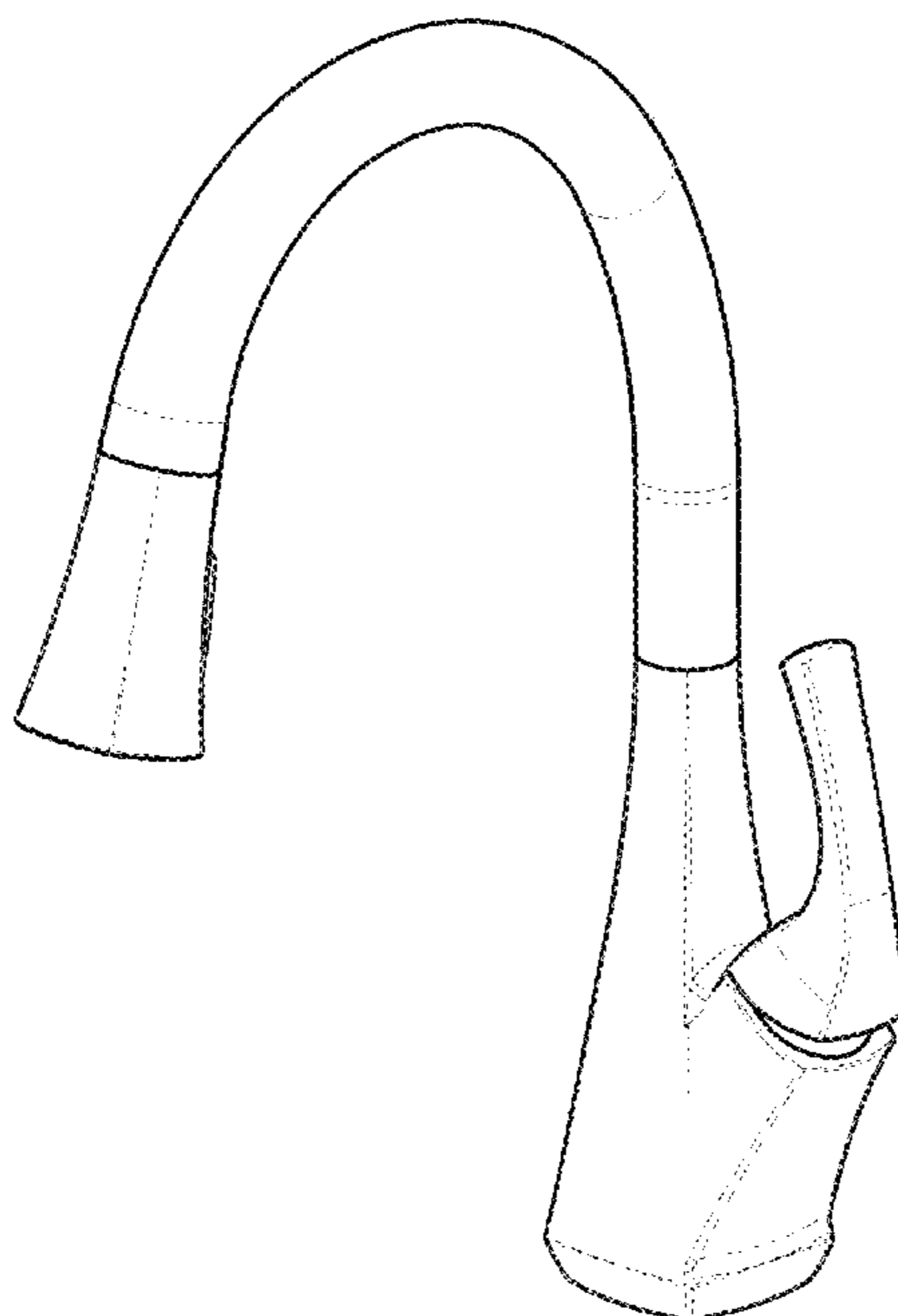
FIG. 5 is a rear view thereof;

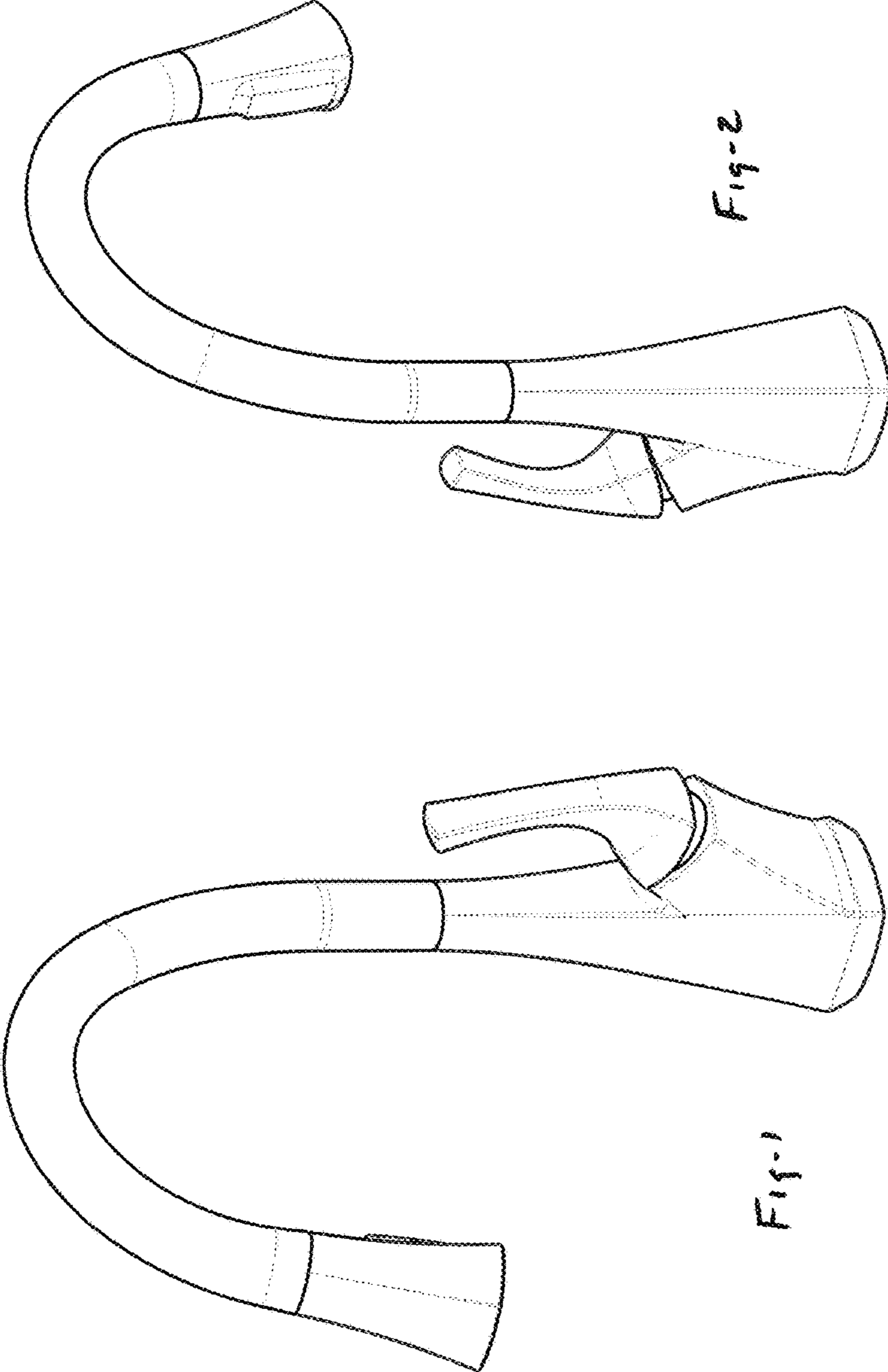
FIG. 6 is a right side view thereof;

FIG. 7 is a top plan view thereof; and,

FIG. 8 is a bottom view thereof.

**1 Claim, 4 Drawing Sheets**





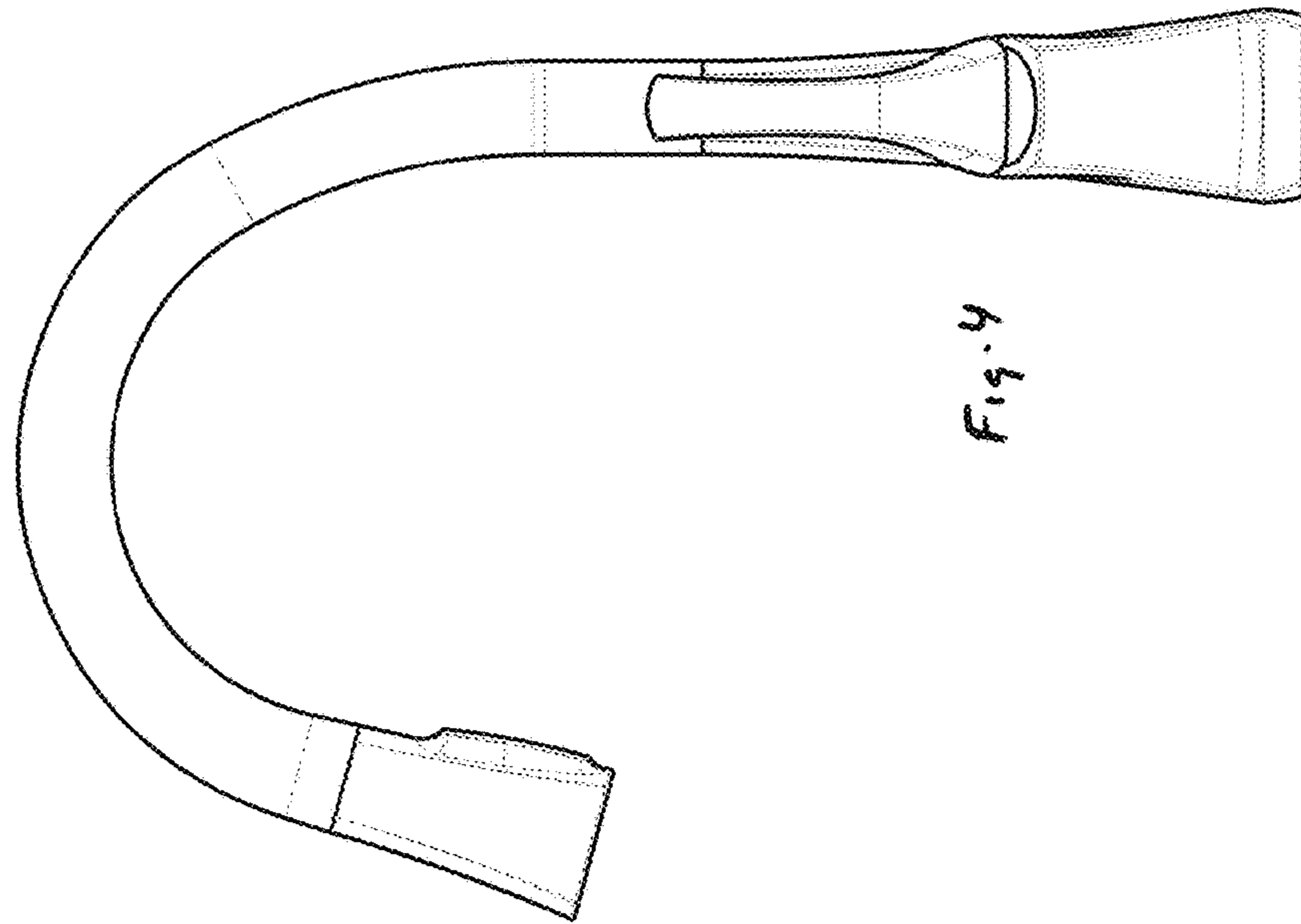


Fig. 4

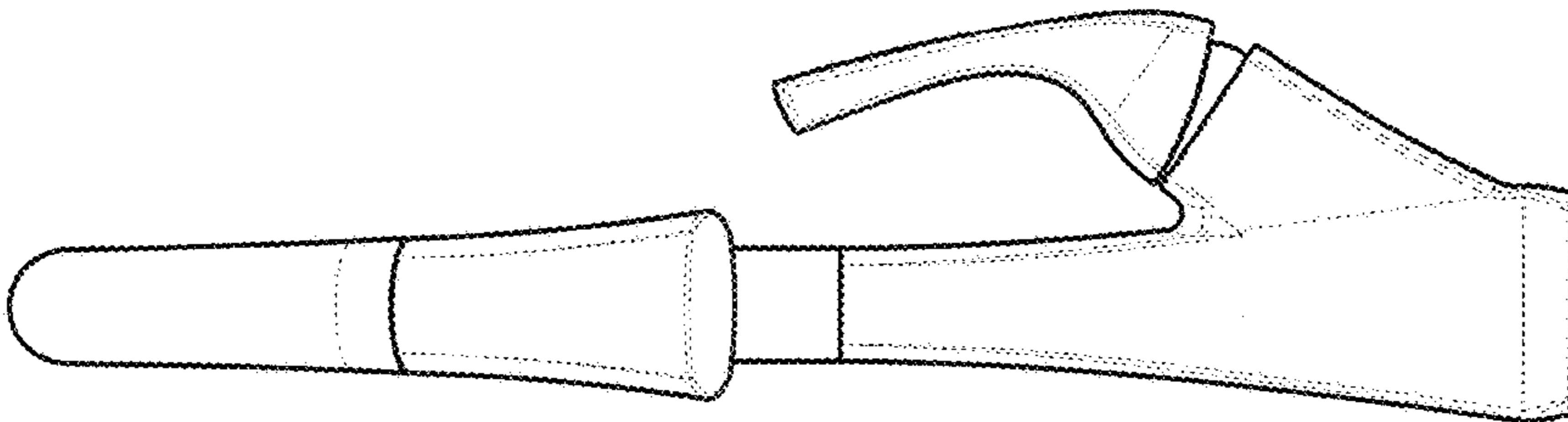


Fig. 3

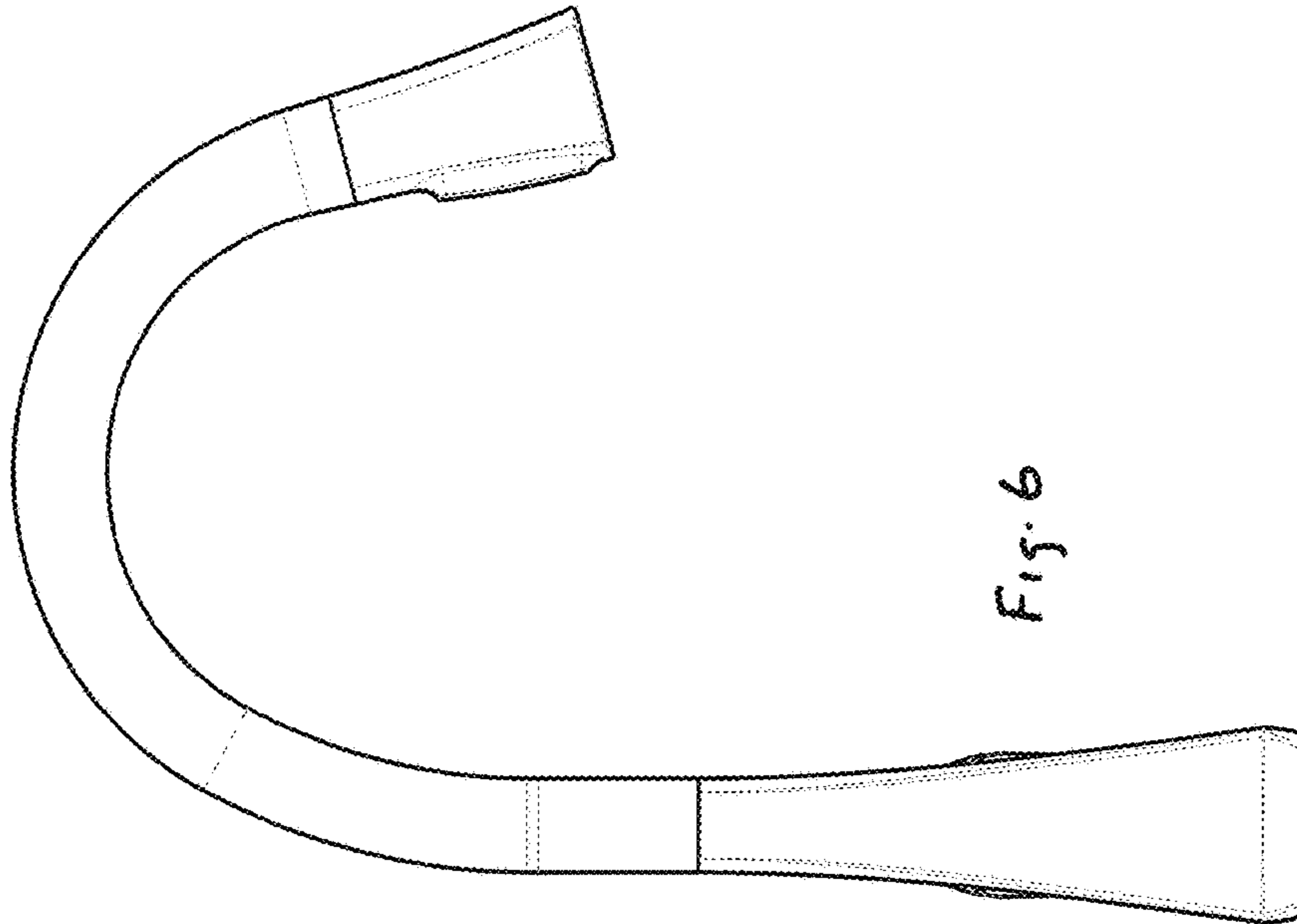


Fig. 6

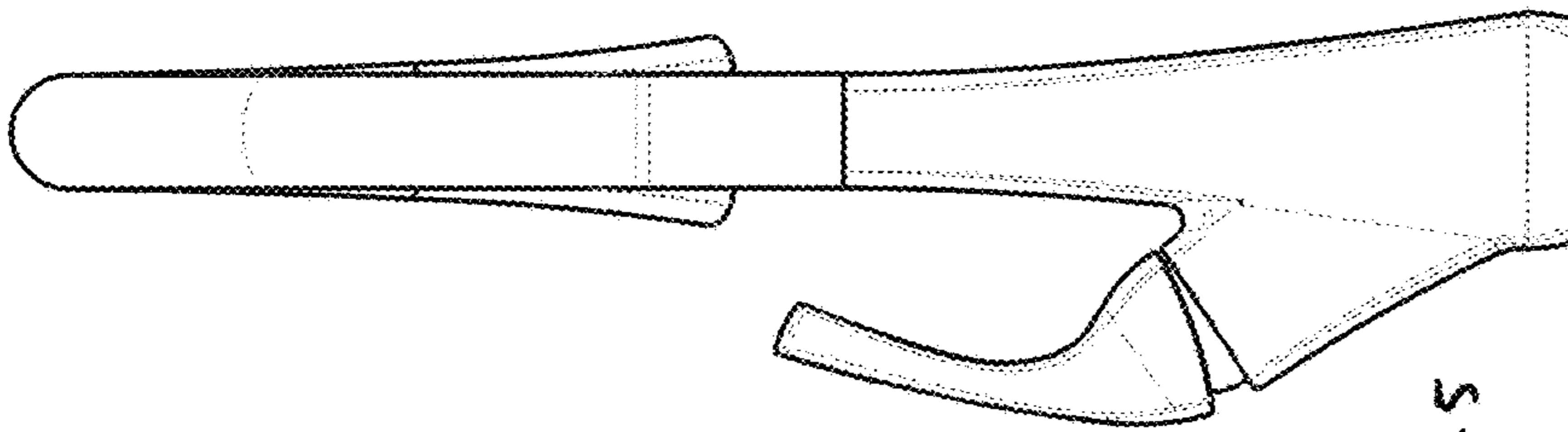


Fig. 5

