



US00D852323S

(12) **United States Design Patent** (10) **Patent No.:** **US D852,323 S**
McCutcheon (45) **Date of Patent:** **** Jun. 25, 2019**

(54) **SHOWER HEAD**
(71) Applicant: **Methven Limited**, Auckland (NZ)
(72) Inventor: **Stephen McLay McCutcheon**,
Auckland (NZ)

D722,133 S * 2/2015 Yu D23/223
D733,258 S * 6/2015 Sandee D23/223
D737,929 S * 9/2015 Rexach D23/223
D744,611 S * 12/2015 Quinn D23/223
D751,669 S * 3/2016 Bahler D23/223
D778,402 S * 2/2017 Schoenherr D23/223
D778,404 S * 2/2017 Schoenherr D23/223

(73) Assignee: **Methven Limited**, Auckland (NZ)

* cited by examiner

(**) Term: **15 Years**

Primary Examiner — Robin V Webster

(21) Appl. No.: **29/642,487**

(74) *Attorney, Agent, or Firm* — Lowe Graham Jones
PLLC

(22) Filed: **Mar. 29, 2018**

(57) **CLAIM**

(30) **Foreign Application Priority Data**

I claim the ornamental design for a shower head, as shown
and described.

Sep. 29, 2017 (NZ) 423555

(51) **LOC (11) Cl.** **23-01**

(52) **U.S. Cl.**

USPC **D23/223**

(58) **Field of Classification Search**

USPC D23/213, 223, 226, 228

CPC .. B05B 1/00; B05B 1/02; B05B 1/005; B05B
1/14; B05B 1/18; B05B 1/185

See application file for complete search history.

(56) **References Cited**

U.S. PATENT DOCUMENTS

D546,918 S * 7/2007 Hoernig D23/223
D584,381 S * 1/2009 Hung D23/223

DESCRIPTION

FIG. 1 is a front isometric view of a shower head, showing
my new design.

FIG. 2 is a front elevational view of the shower head.

FIG. 3 is a rear elevational view of the shower head.

FIG. 4 is a right side elevational view of the shower head.

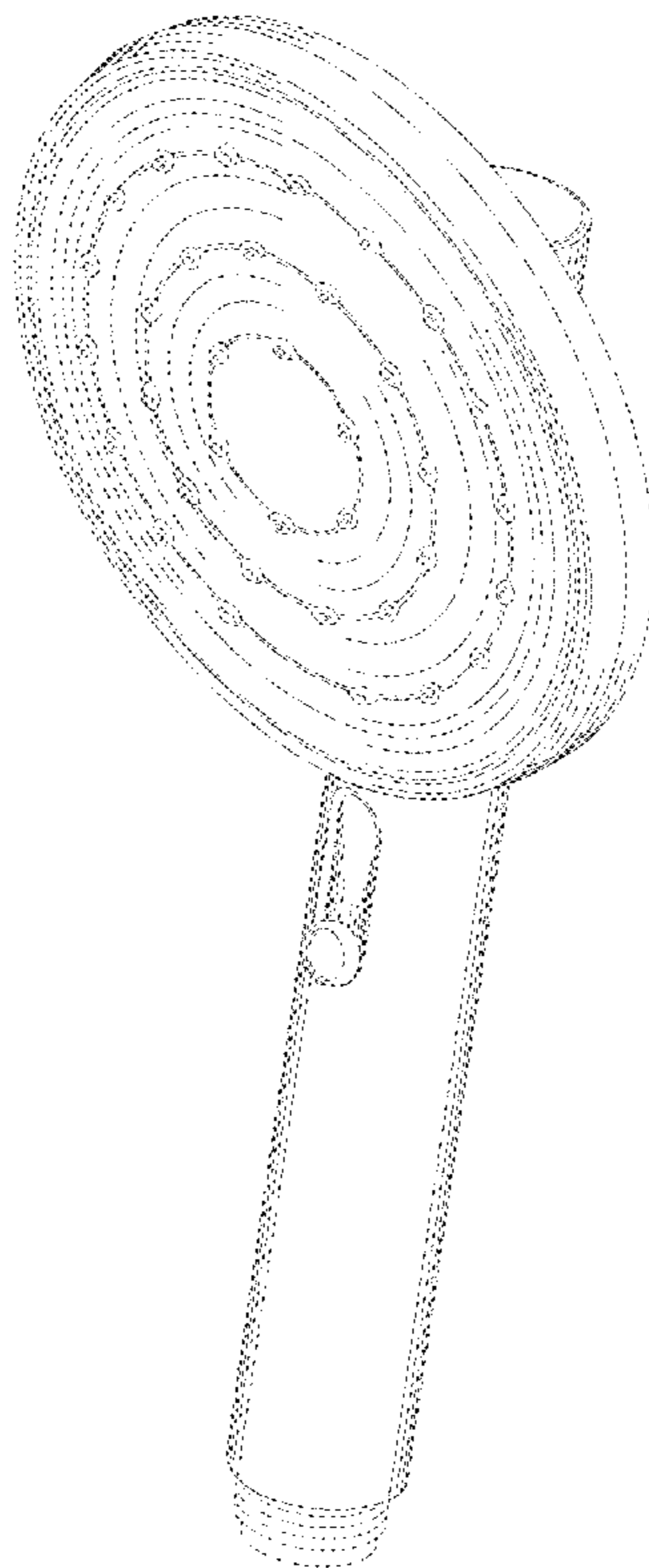
FIG. 5 is a left side elevational view of the shower head.

FIG. 6 is a top plan view of the shower head; and,

FIG. 7 is a bottom plan view of the shower head.

Features shown in broken lines are for illustrative purposes
only and form no part of the claimed design.

1 Claim, 7 Drawing Sheets



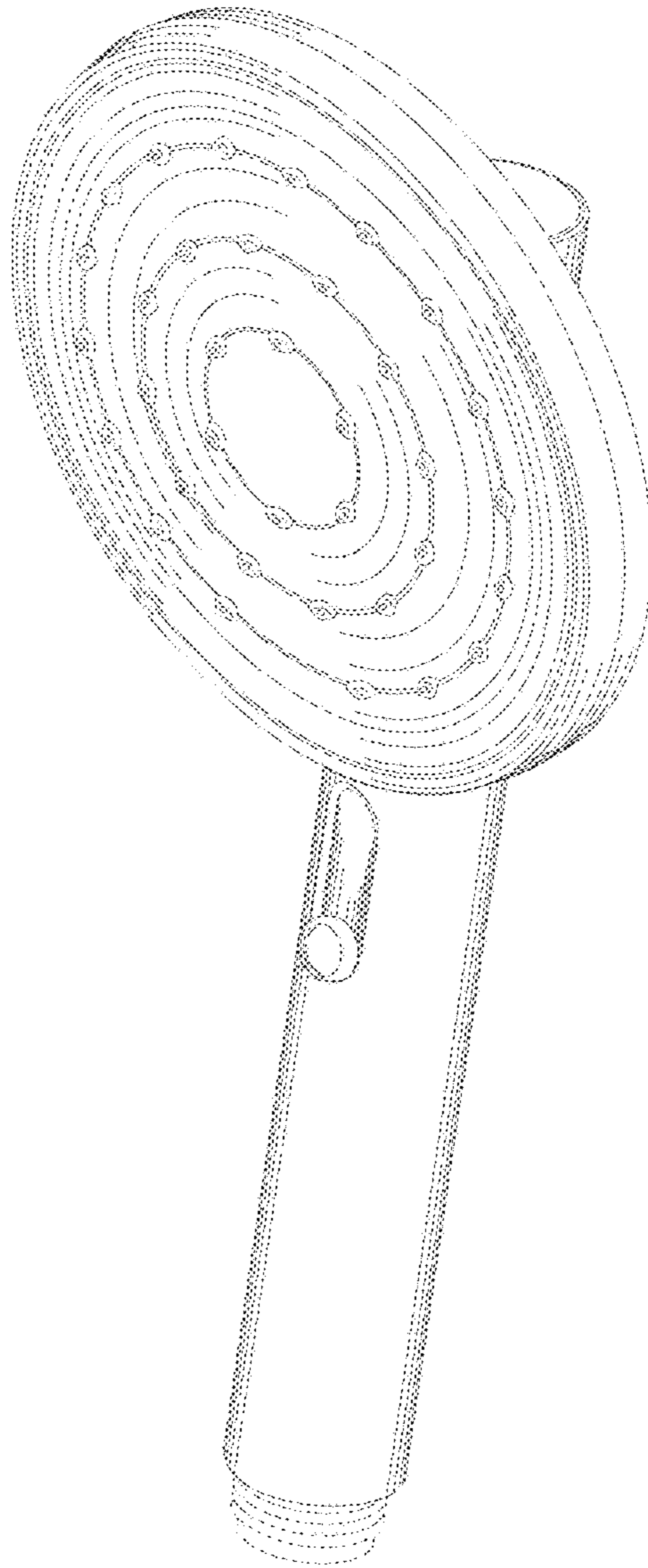


FIG. 1

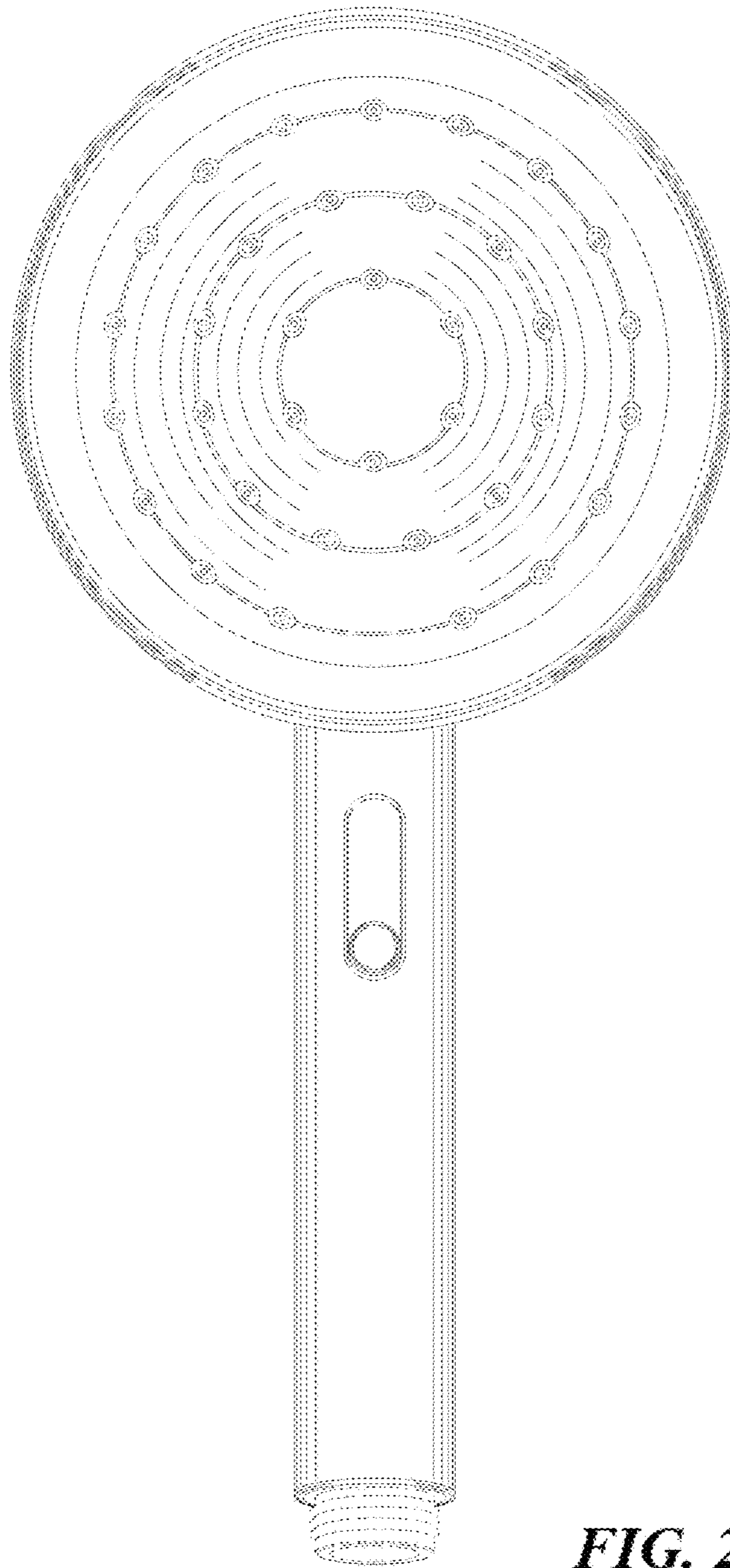
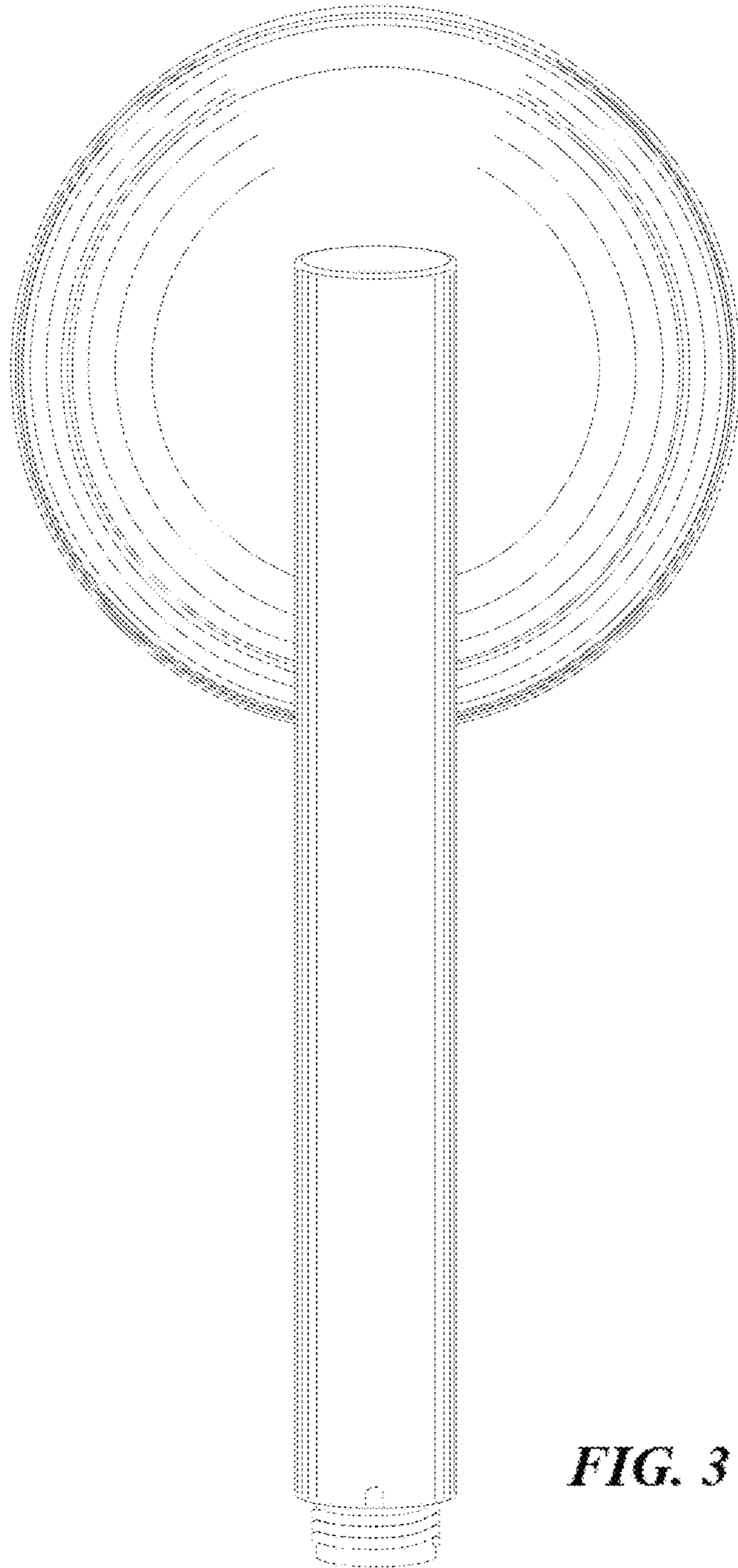


FIG. 2



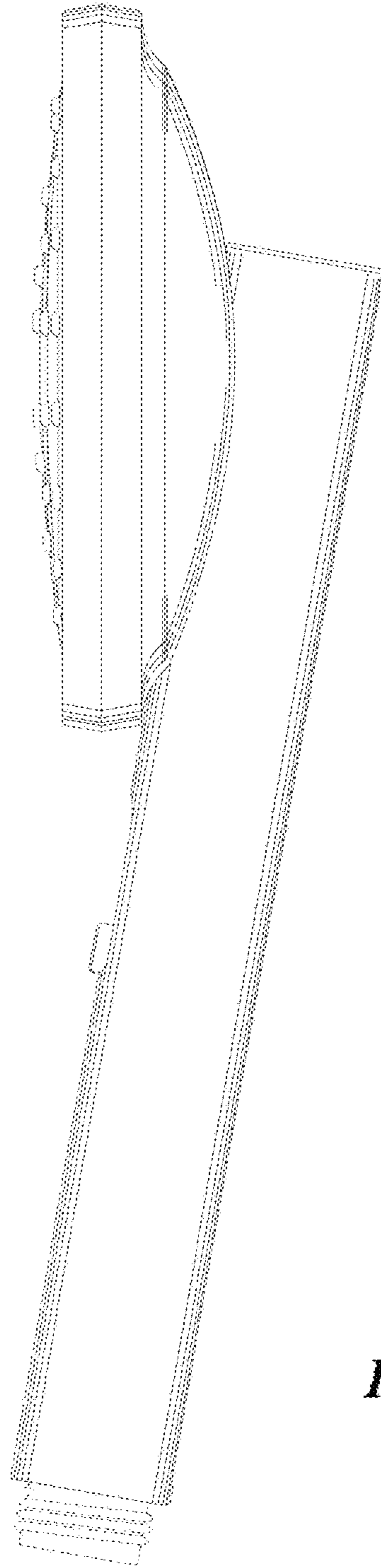


FIG. 4

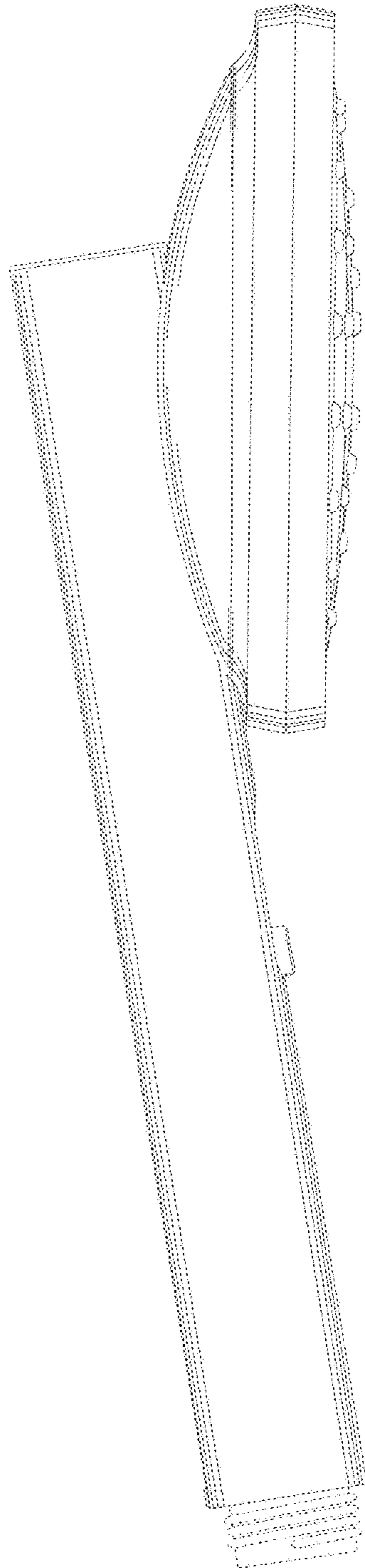


FIG. 5

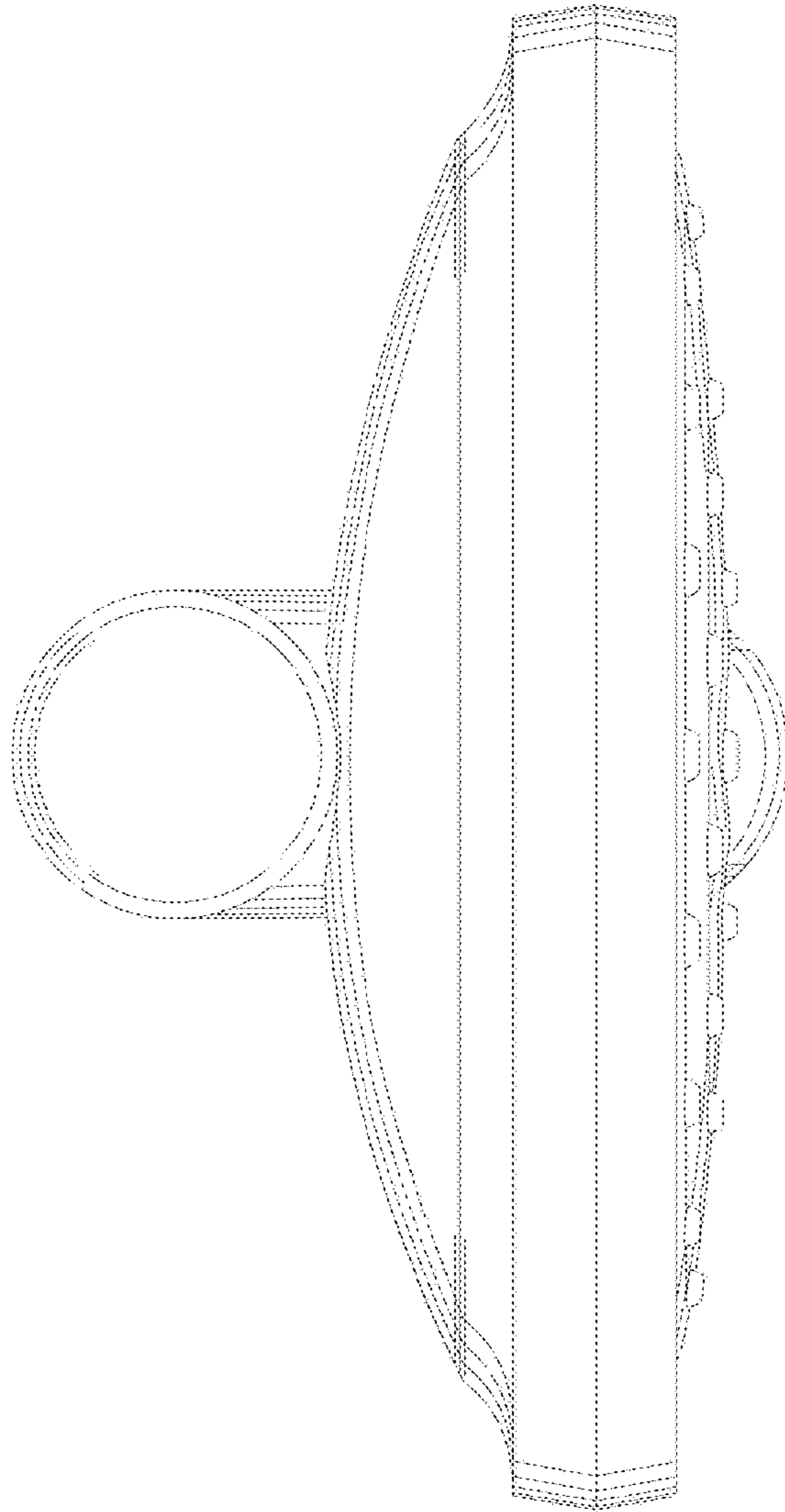


FIG. 6

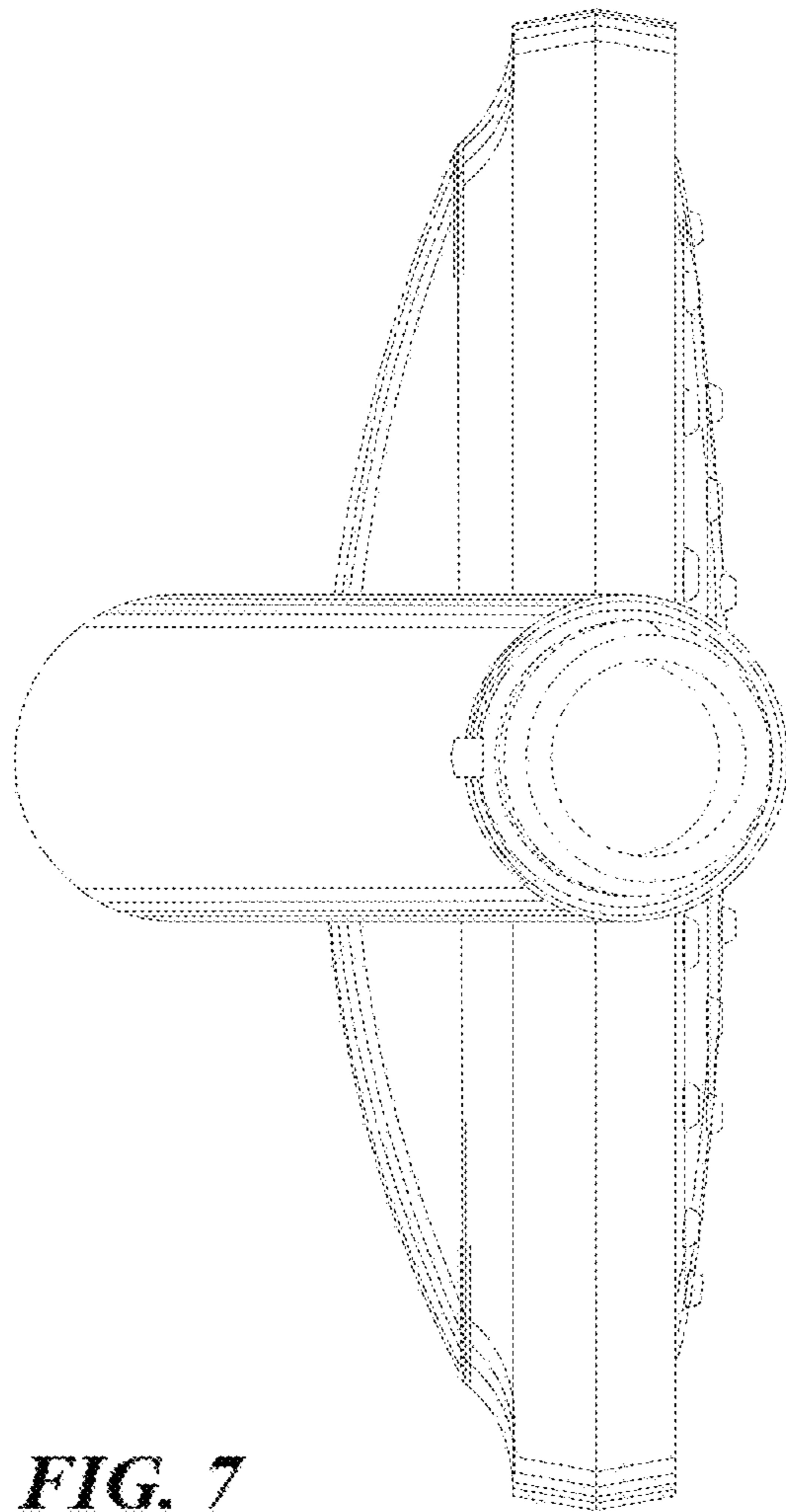


FIG. 7